



US00D332877S

# United States Patent [19]

[11] Patent Number: **Des. 332,877**

**Newbold**

[45] Date of Patent: **\*\* Feb. 2, 1993**

[54] **CHILD'S BICYCLE SEAT**

[75] Inventor: **Dixon Newbold, Gloucester, R.I.**

[73] Assignee: **Bell Sports, Inc., Providence, R.I.**

[\*\*] Term: **14 Years**

[21] Appl. No.: **415,189**

[22] Filed: **Sep. 29, 1989**

[52] U.S. Cl. .... **D6/333; D6/354; D6/374**

[58] Field of Search ..... **D6/329, 500, 332, 501, D6/333, 502, 335, 503, 336, 338, 346, 347, 349, 354, 356, 358, 364, 365, 366, 370, 374, 375, 418, 477, 484, 495, 497, 498, 499; 297/DIG. 1, DIG. 2, DIG. 3, 157, 216, 250, 257, 270, 308, 439, 461, 462**

[56] **References Cited**

**U.S. PATENT DOCUMENTS**

D. 194,670 2/1963 Hamilton et al. .... **D6/374 X**

D. 291,506 8/1987 Shields ..... **D6/354**  
D. 294,203 2/1988 Schepis et al. .... **D6/354**  
D. 301,188 5/1989 Casale ..... **D6/335**  
4,051,985 10/1977 Berger ..... **D6/333 X**  
4,053,091 10/1977 Martelet ..... **D6/333 X**

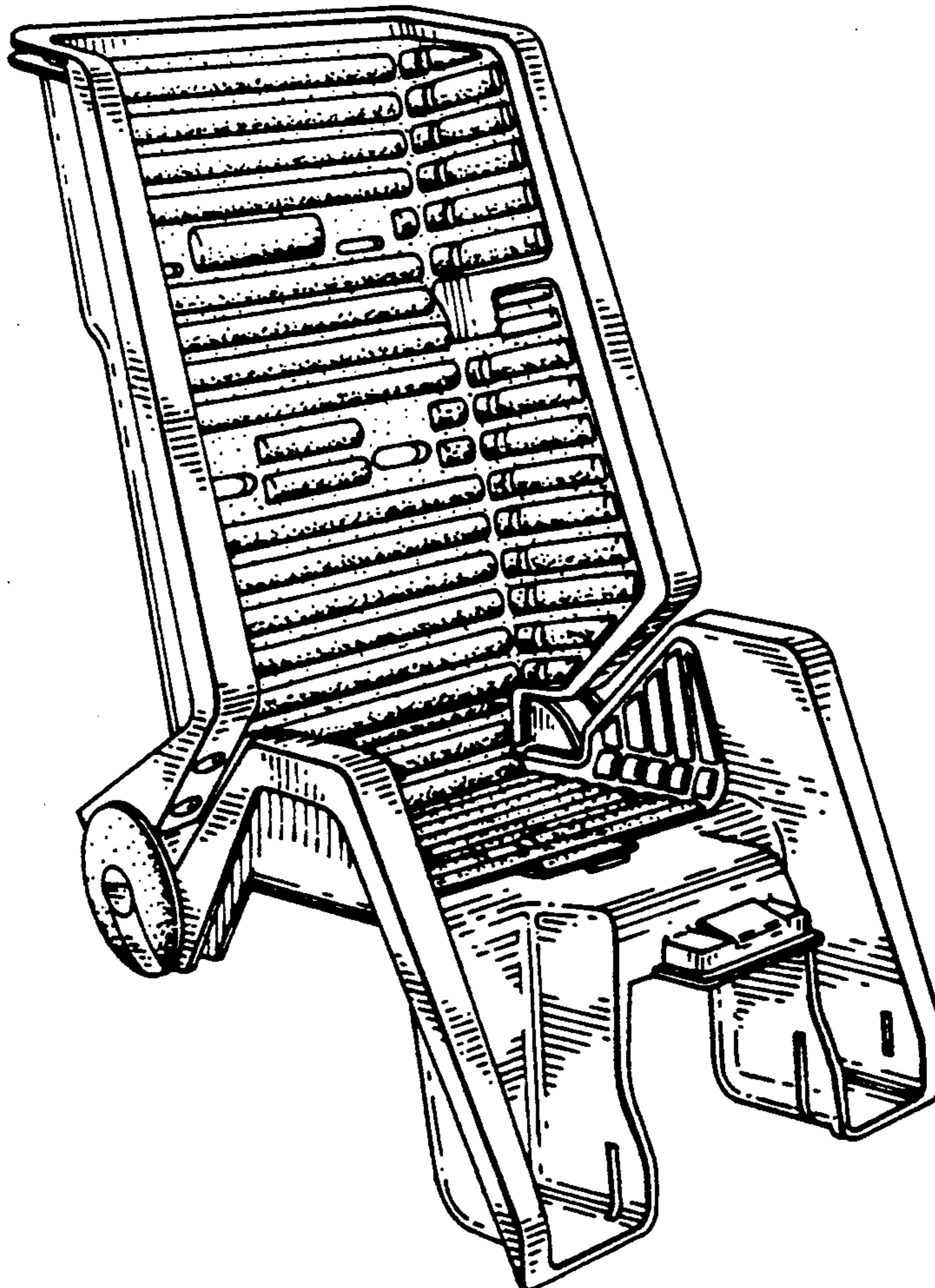
*Primary Examiner*—Alan P. Douglas  
*Assistant Examiner*—Monica Hannon  
*Attorney, Agent, or Firm*—Wolf, Greenfield & Sacks

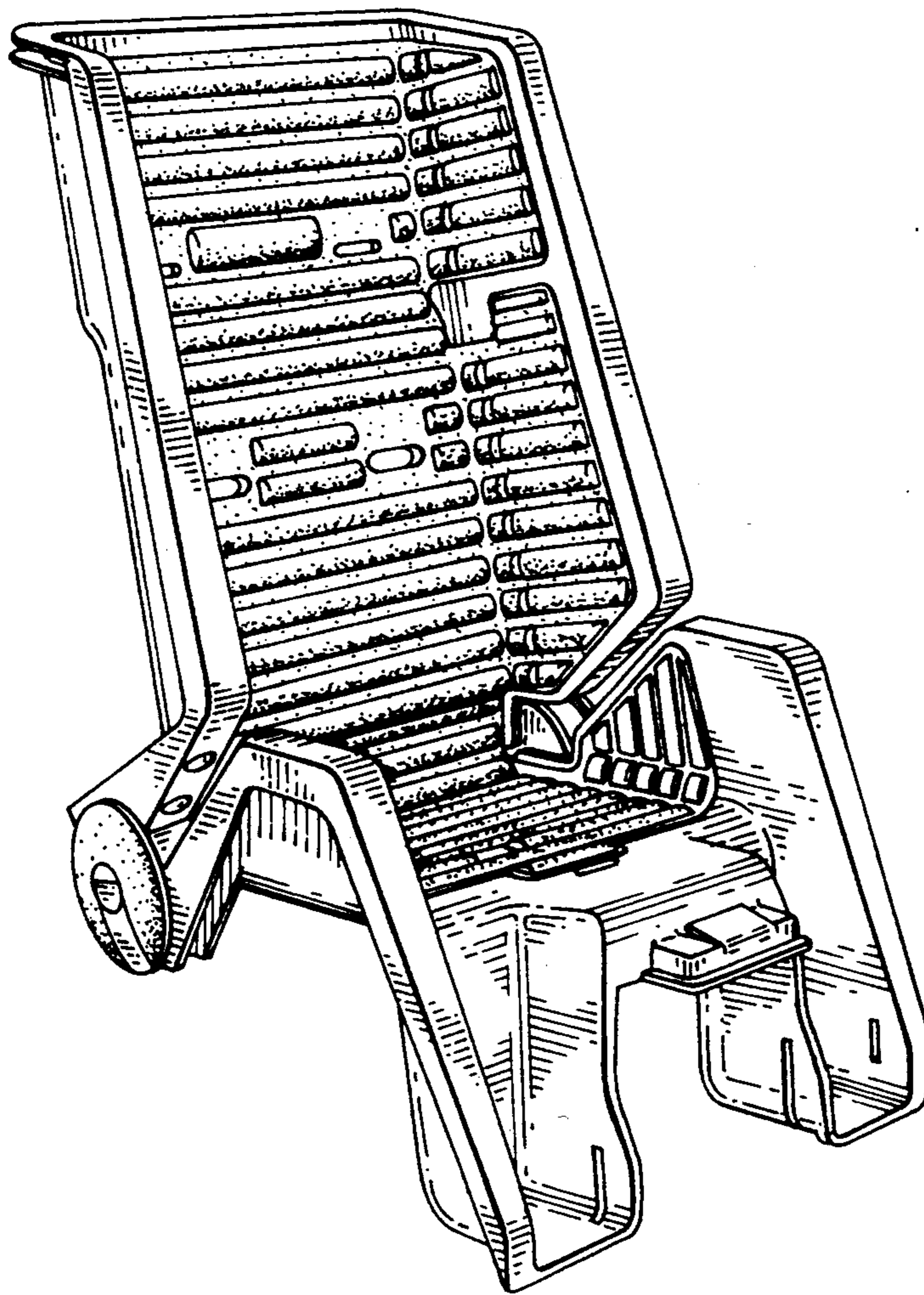
[57] **CLAIM**

The ornamental design for a child's bicycle seat, as shown and described.

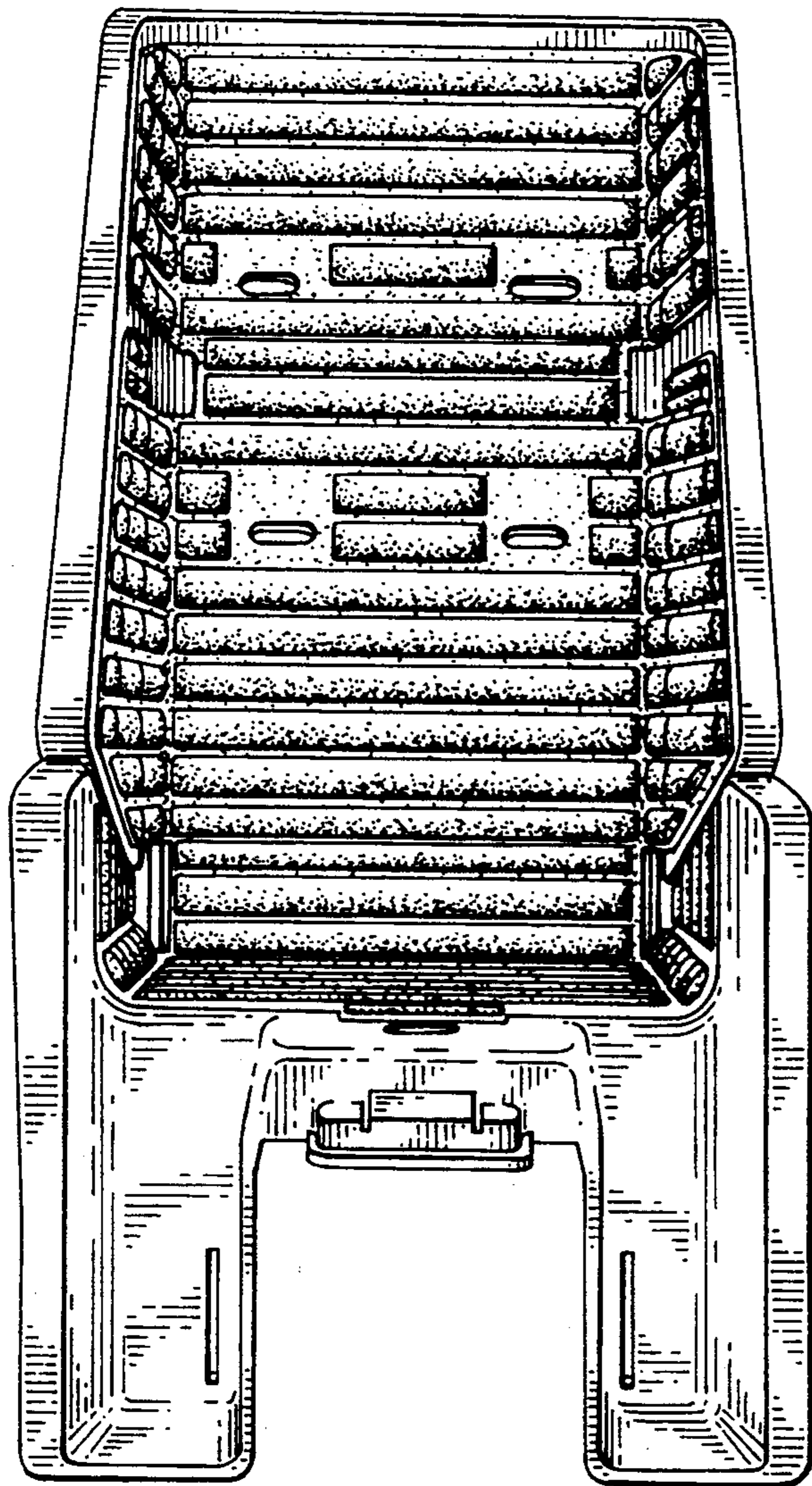
**DESCRIPTION**

FIG. 1 is a front perspective view of a child's bicycle seat showing my new design;  
FIG. 2 is a front elevational view thereof;  
FIG. 3 is a left side elevational view thereof;  
FIG. 4 is a right side elevational view thereof;  
FIG. 5 is a rear elevational view thereof; and,  
FIG. 6 is a top plan view thereof.



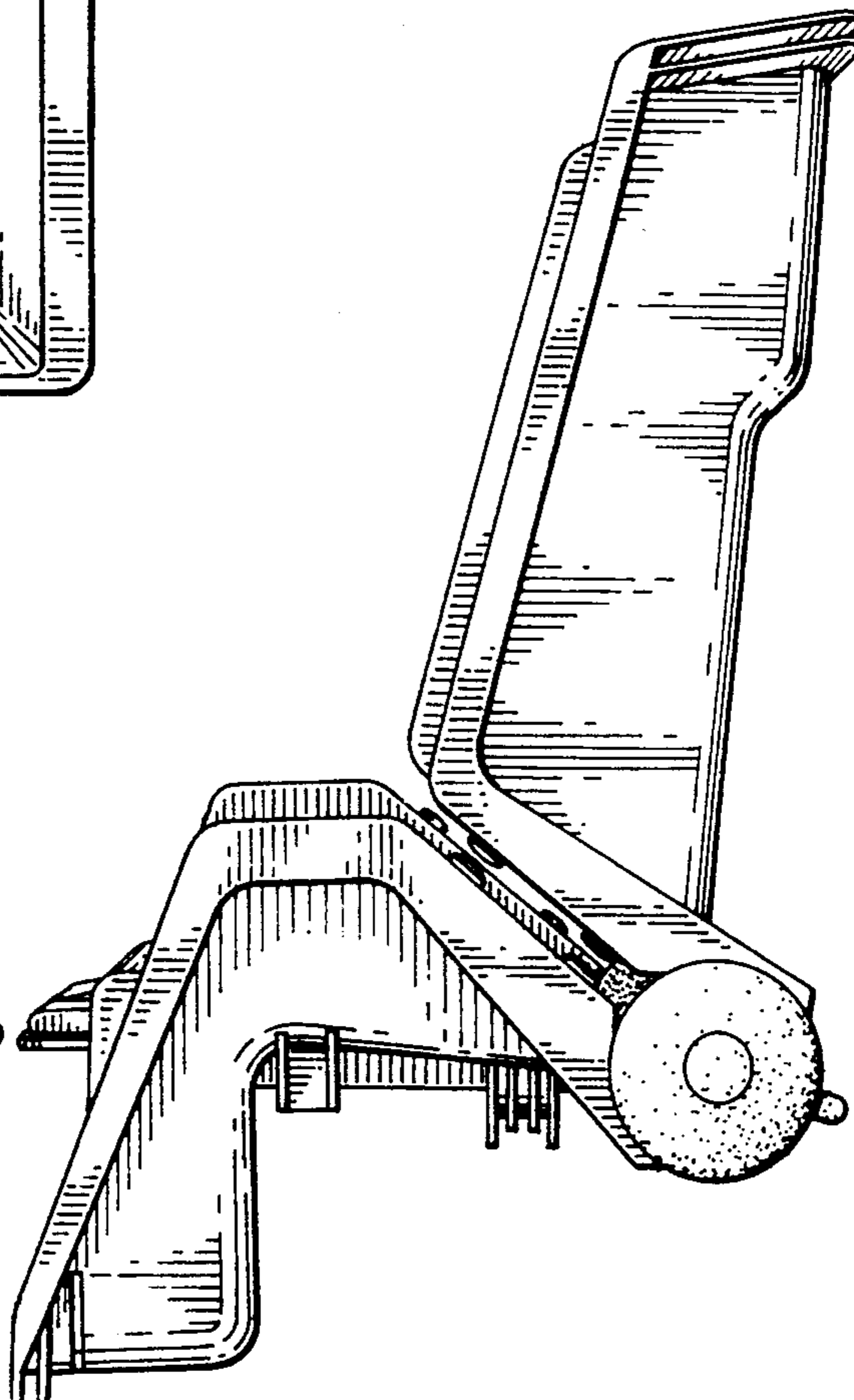


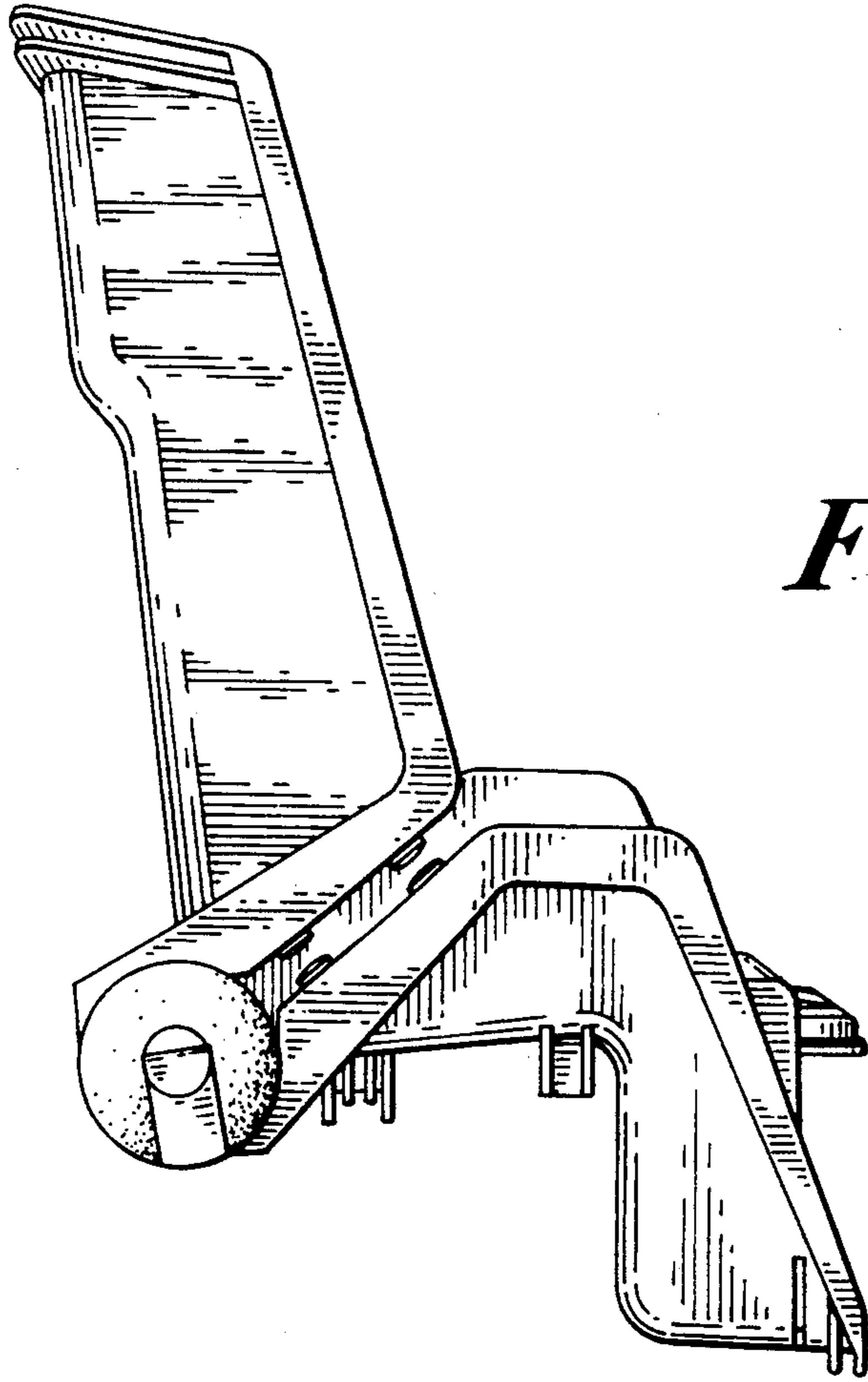
*FIG. 1*



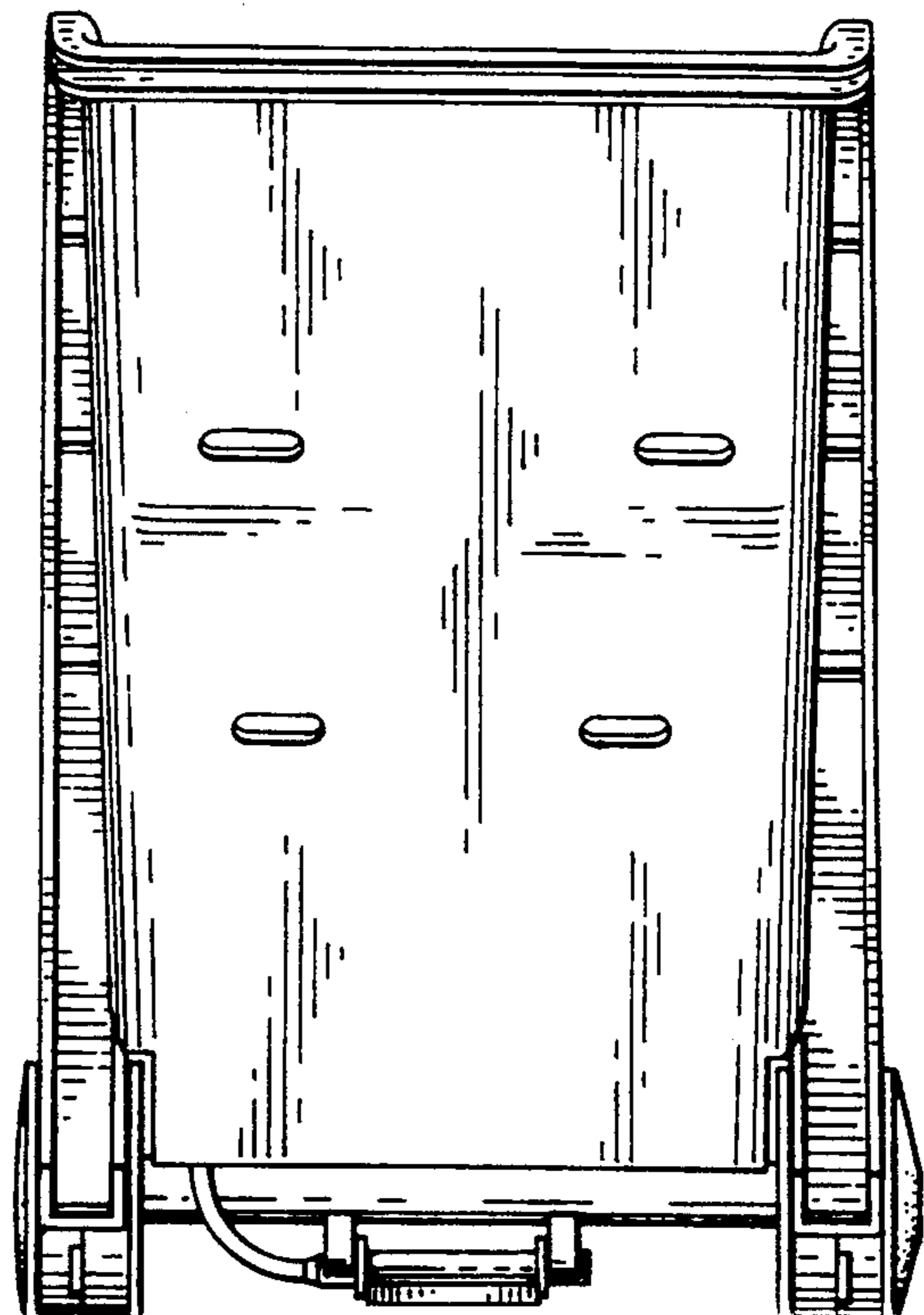
*FIG. 2*

*FIG. 3*

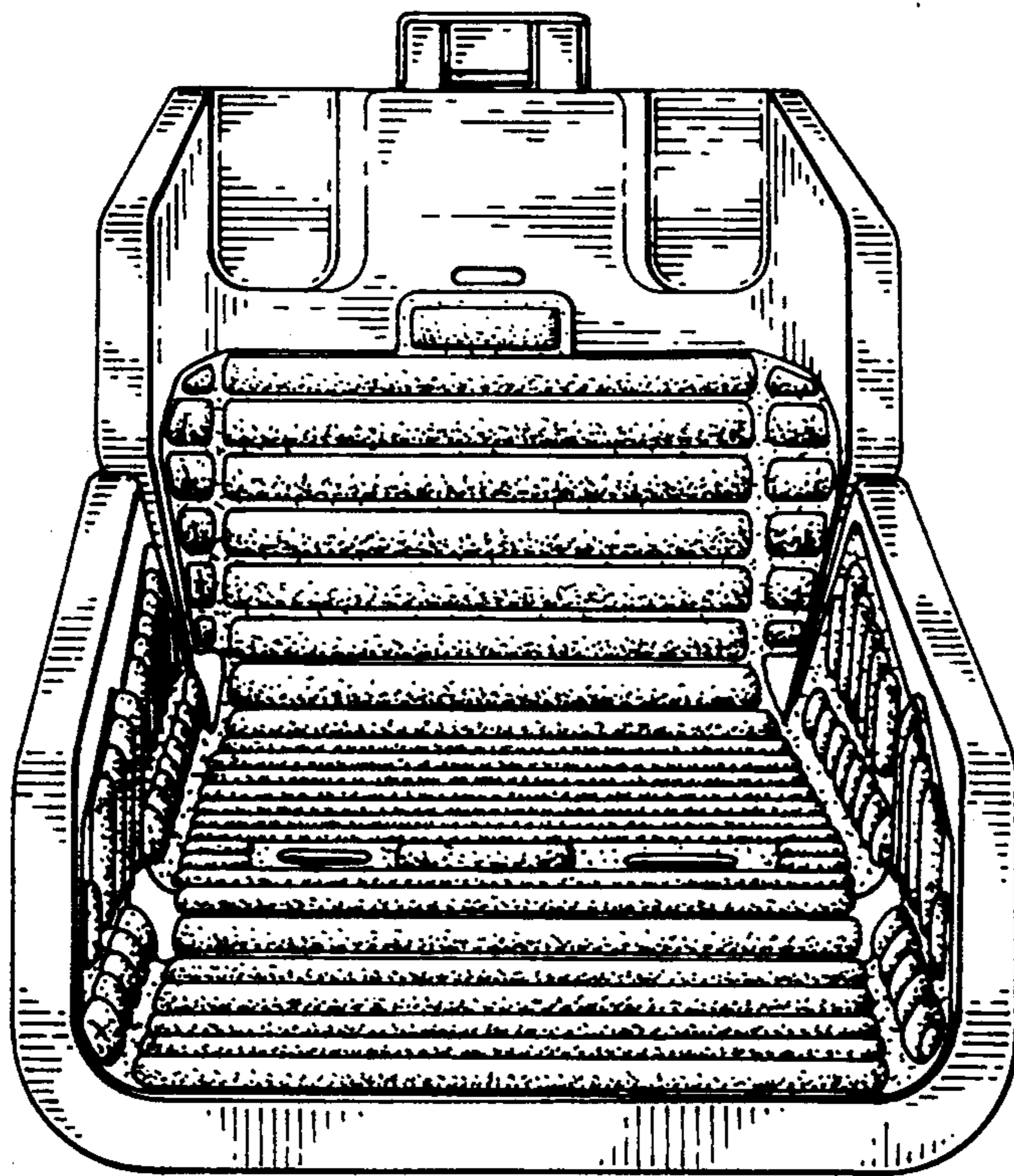




*FIG. 4*



*FIG. 5*



*FIG. 6*