



US00D332870S

# United States Patent [19]

[11] Patent Number: **Des. 332,870**

Fink et al.

[45] Date of Patent: **\*\* Feb. 2, 1993**

## [54] STORAGE CASE

[56]

### References Cited

#### U.S. PATENT DOCUMENTS

[75] Inventors: **Cameron L. Fink; Robert W. Schram; Anthony J. Gentile**, all of London, Canada

|            |         |                            |          |
|------------|---------|----------------------------|----------|
| D. 232,597 | 8/1974  | Sias .....                 | D3/73 X  |
| D. 296,386 | 6/1988  | McConnell, III et al. .... | D3/73 X  |
| 3,891,070  | 6/1975  | Montanari .....            | 402/76 X |
| 4,294,558  | 10/1981 | Errichiello .....          | 402/75   |
| 4,315,642  | 2/1982  | Errichiello .....          | 402/3 X  |
| 5,069,567  | 12/1991 | Fink et al. ....           | 402/3    |

[73] Assignee: **Sterling Marking Products Inc.**, London, Canada

*Primary Examiner*—Louis S. Zarfes  
*Assistant Examiner*—P. A. Mortimer  
*Attorney, Agent, or Firm*—Rogers & Scott

[\*\*] Term: **14 Years**

### [57] CLAIM

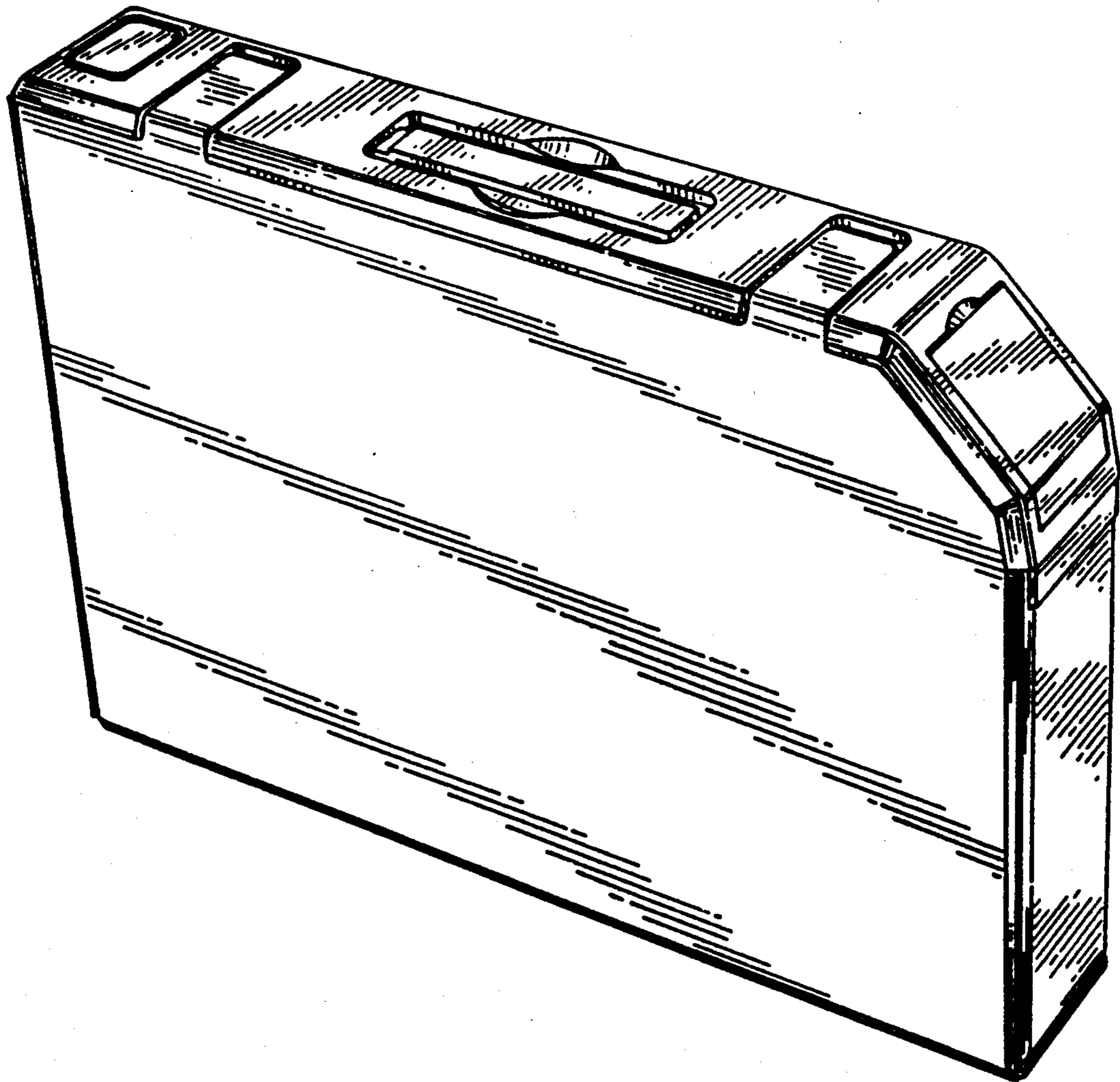
[21] Appl. No.: **648,424**

The ornamental design for a storage case, as shown.

### DESCRIPTION

[22] Filed: **Jan. 22, 1991**  
[52] U.S. Cl. .... **D3/76**  
[58] Field of Search ..... **D3/76, 75, 73, 35, 74; 190/109, 104, 18 R, 112, 902, 900; D9/426, 432; 206/387; 402/3, 76, 80 P, 75, 502**

FIG. 1 is a perspective view of a storage case showing our new design;  
FIG. 2 is a bottom perspective view thereof;  
FIG. 3 is a top plan view thereof; and,  
FIG. 4 is a side elevational view thereof.



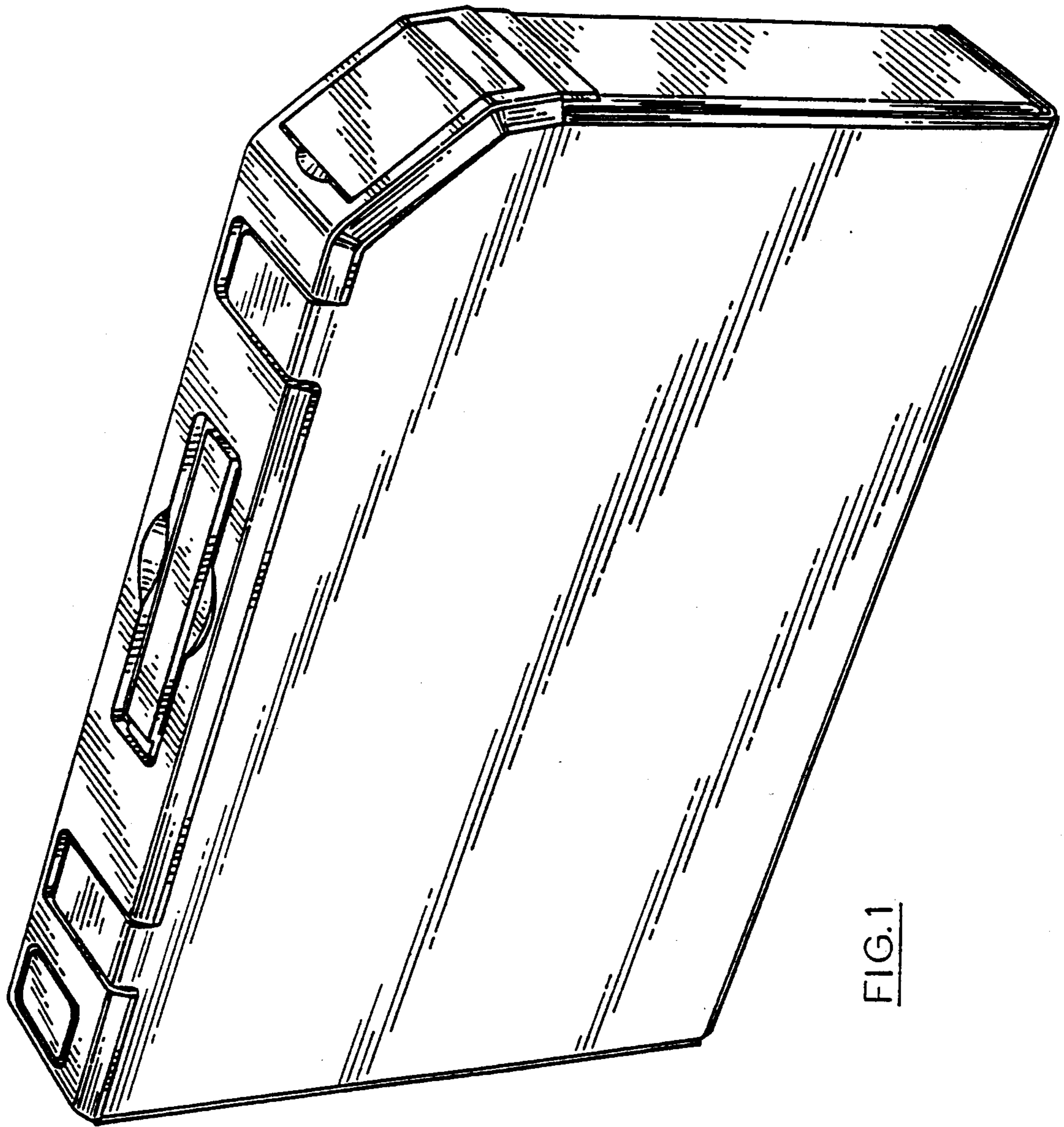


FIG. 1

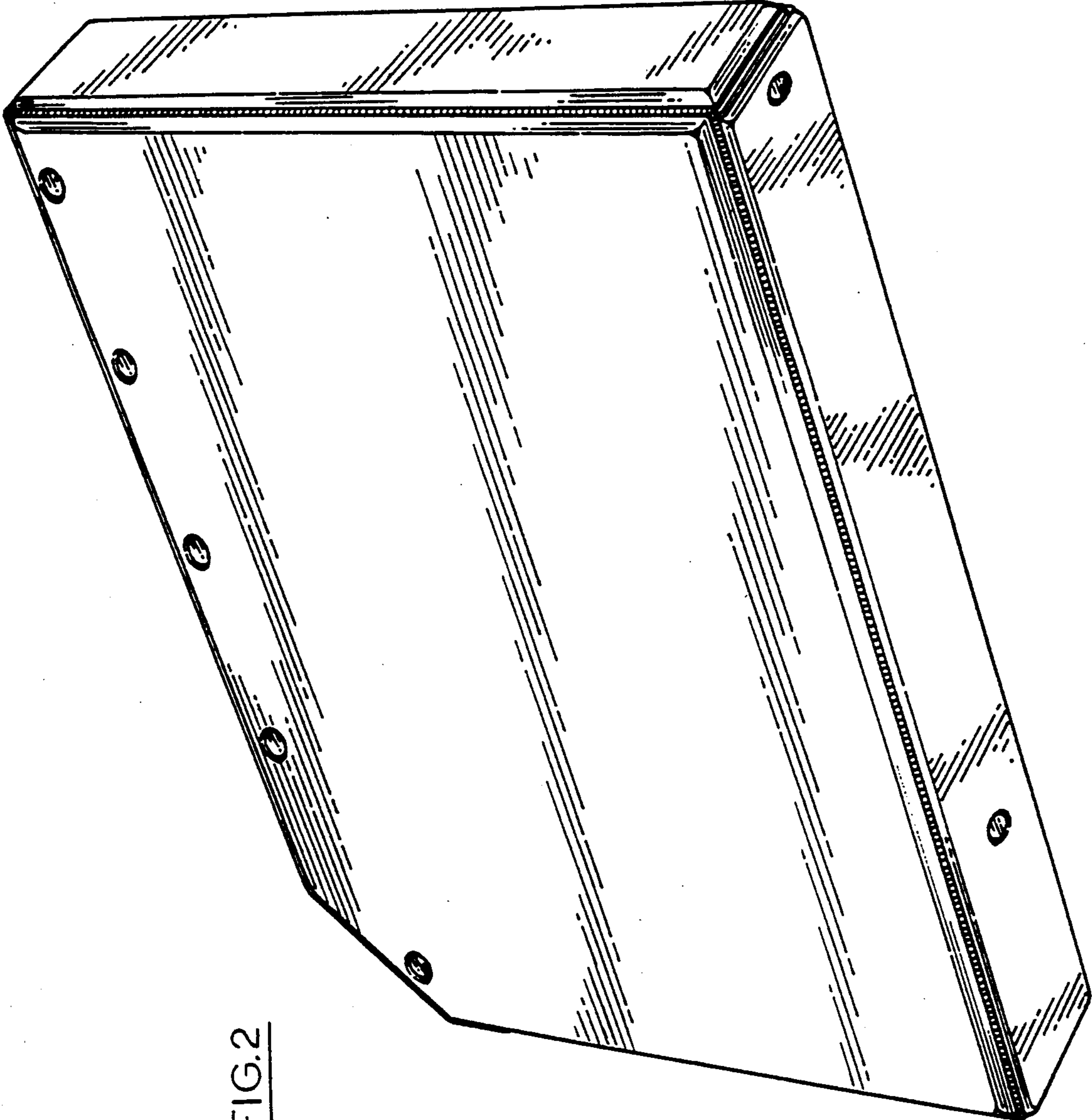


FIG. 2



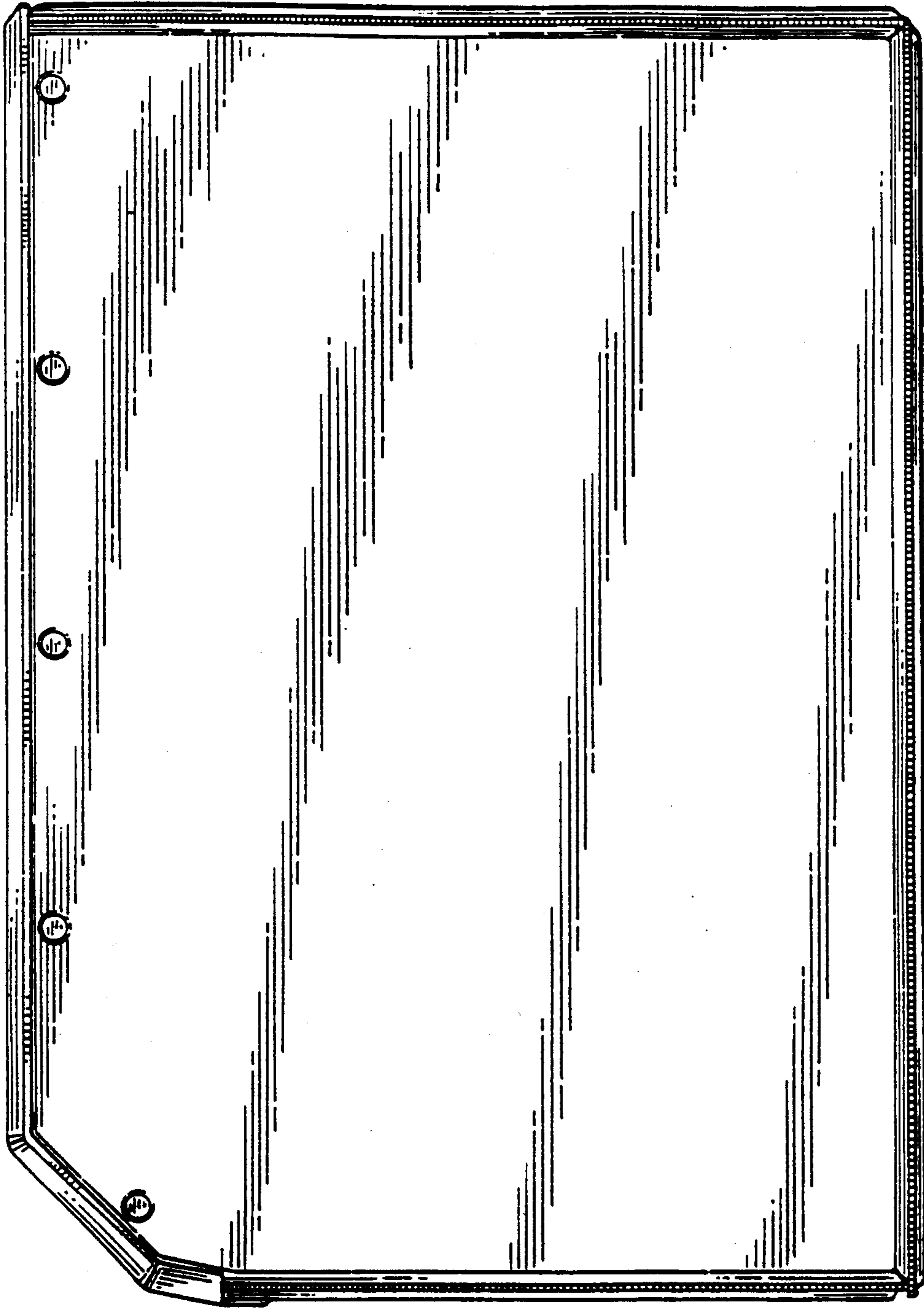


FIG. 4



FIG. 3