



US00D332851S

# United States Patent [19]

[11] Patent Number: **Des. 332,851**

Long

[45] Date of Patent: **\*\* Jan. 26, 1993**

[54] **COMPOSTER**

4,436,817 3/1984 Nemetz ..... 435/313

[75] Inventor: **Richard Long, San Francisco, Calif.**

### OTHER PUBLICATIONS

[73] Assignee: **Smith & Hawken, Mill Valley, Calif.**

R. D. Raabe, "The Rapid Composting Method", University of CA Leaflet 21251 (Sep. 1981), pp. 1-4.

[\*\*] Term: **14 Years**

Horticulture, "Rotating Composter", Jan. 1986.

[21] Appl. No.: **674,032**

Langenbach Catalog, Soil Saver™ Compost Bin, Summer/Fall 1990, p. 5.

[22] Filed: **Mar. 22, 1991**

Yard & Garden Showcase, Ringer Compost Bin, 1990.

[52] U.S. Cl. .... **D34/7; D34/1; D8/1**

Ringer Corporation, Success with Composting, 1988, pp. 1-15.

[58] Field of Search ..... **D34/1-11; 220/908, 909; 232/43.2; 52/192, 245, 169.5; 47/83, 9; D8/1**

Rodale's Practical Homeowner, Composters, pp. 22-25, Apr. 1987.

Compostsystems™, Grass Eliminator I and II, Jan. 1991.

### [56] References Cited

The Wall Street Journal, "Taking the Mystery Out of Composters", Feb. 21, 1991.

#### U.S. PATENT DOCUMENTS

Kemp, ComposTumbler™, 1990.

D. 233,748	11/1974	Gordon	.....	D13/1 L
D. 241,407	9/1976	Johnson	.....	D7/189
D. 254,951	5/1980	Gedye	.....	D7/192
D. 256,088	7/1980	Gedye	.....	D7/194
D. 258,258	2/1981	Haddock	.....	D7/194
D. 263,365	3/1982	Arato	.....	D34/1
D. 269,046	5/1983	Faul	.....	D34/4
D. 326,170	5/1992	De Yoreo et al.	.....	D34/1
1,782,675	11/1930	Bayley	.	
2,535,627	12/1950	Earp-Thomas	.....	98/54
2,756,541	7/1956	Berger	.....	47/34
3,074,583	1/1963	Martinich, Jr.	.....	220/1
3,137,095	6/1964	Pearson	.....	47/33
3,194,469	7/1965	Rumberger	.....	229/3.1
3,240,343	3/1966	Werner	.....	210/256
3,456,860	7/1969	Janninck	.....	229/1.5
3,847,299	11/1974	Page	.....	220/4 F
3,951,294	4/1976	Wilson	.....	220/5 R
4,060,945	12/1977	Wilson	.....	52/169.5
4,105,412	8/1978	Petzinger	.....	23/259.1
4,108,609	8/1978	Petzinger	.....	23/259.1
4,112,644	9/1978	Allen	.....	52/245
4,125,394	11/1978	Wilson	.....	71/9
4,343,907	8/1982	Graefe	.....	435/313
4,352,888	10/1982	Tisbo et al.	.....	435/287

Garden Way Manufacturing Company, "10 Key Questions about Compost!", Troy-Bilt, 1986.

Blackwell Products, Tumbler™, The Aerobic Compost Maker, 1986.

*Primary Examiner*—Kay H. Chin

*Attorney, Agent, or Firm*—Limbach & Limbach

### [57] CLAIM

The ornamental design for a composter, as shown and described.

### DESCRIPTION

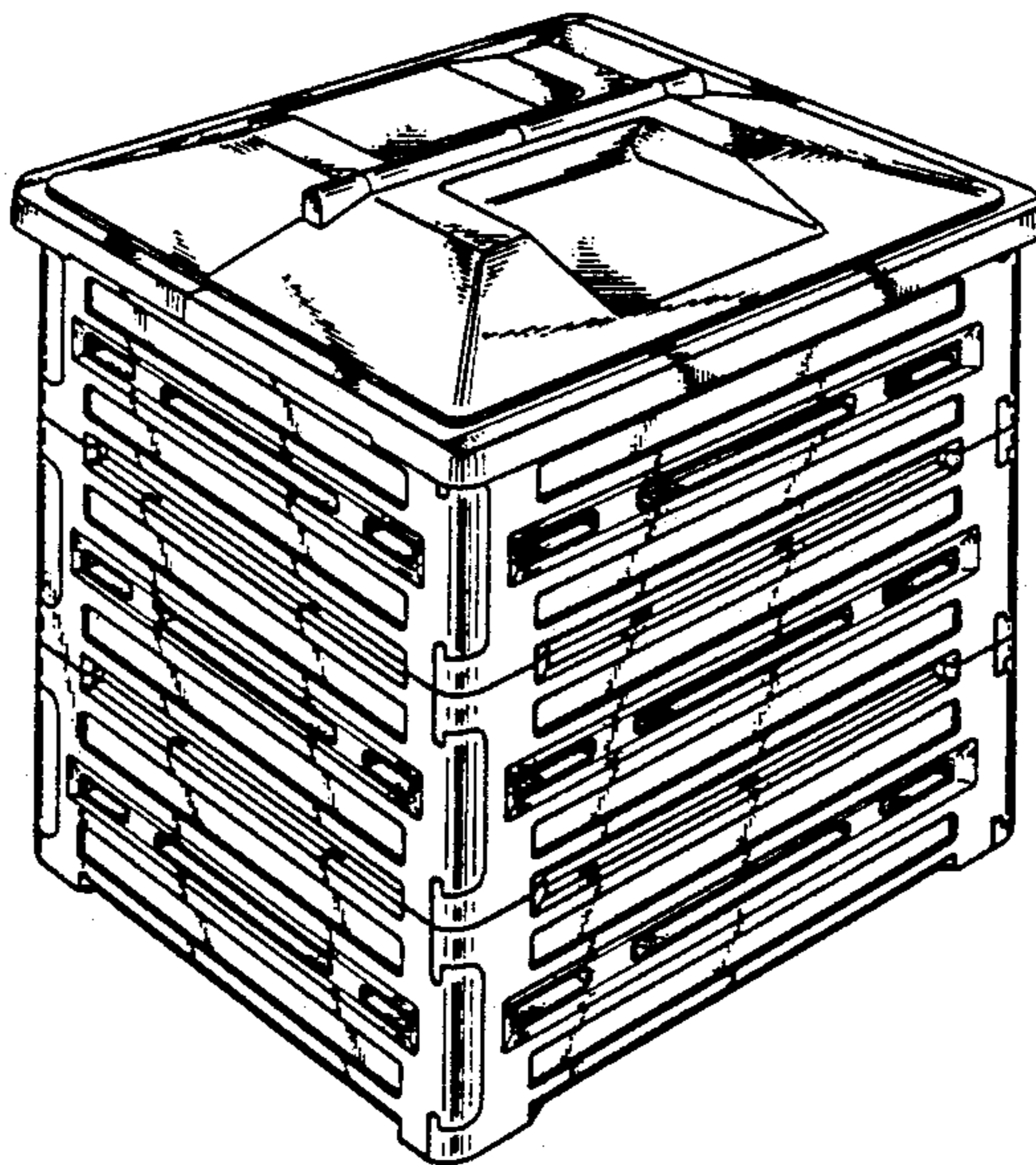
FIG. 1 is a top perspective view of a composter showing my new design;

FIG. 2 is a top perspective view thereof with the one panel of the lid in open condition;

FIG. 3 is a front elevational view thereof, the rear elevational view being a mirror image of that shown;

FIG. 4 is a top plan view thereof; and,

FIG. 5 is a side elevational view thereof, the opposite side elevational view being a mirror image of that shown.



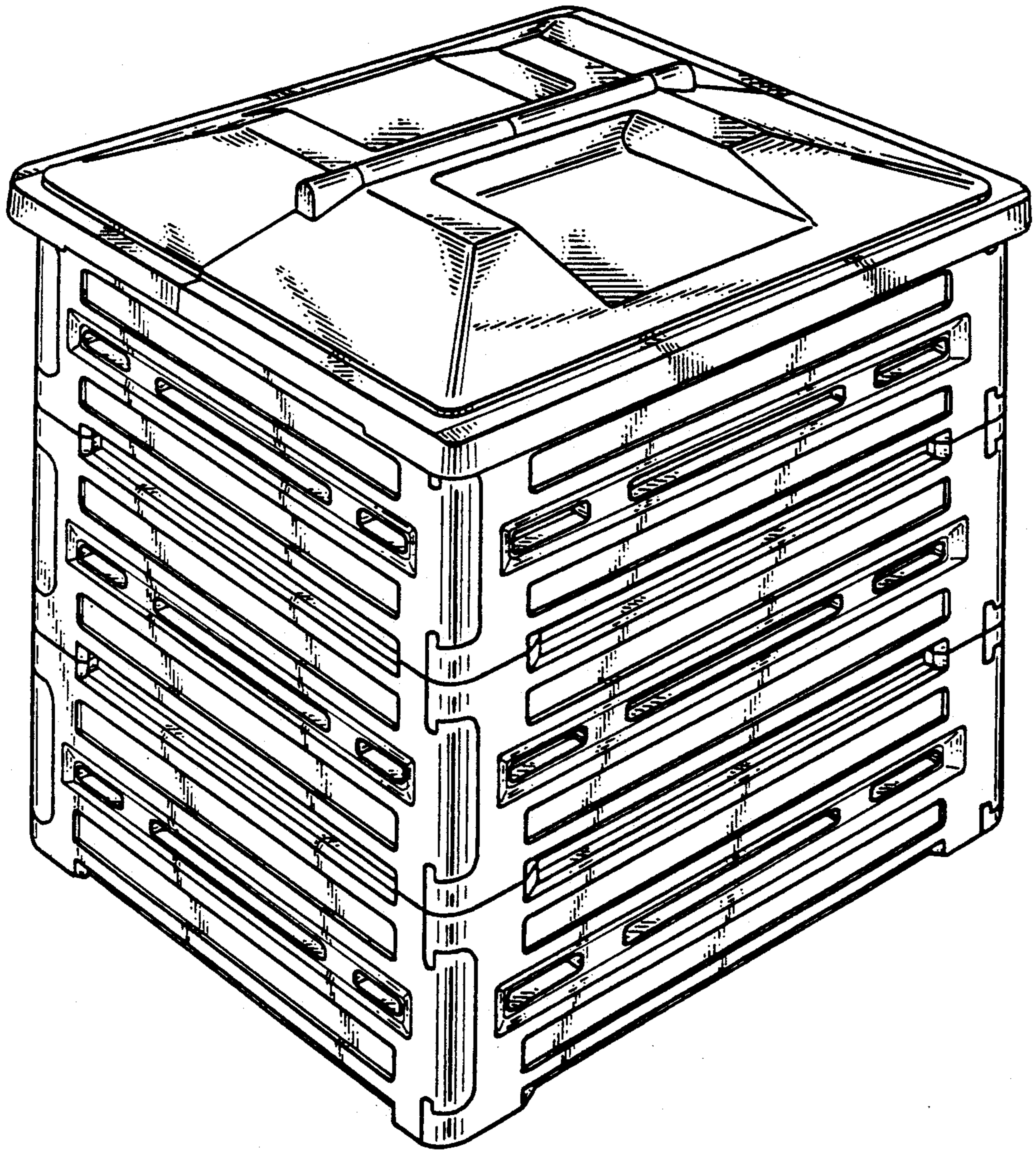


FIG. 1

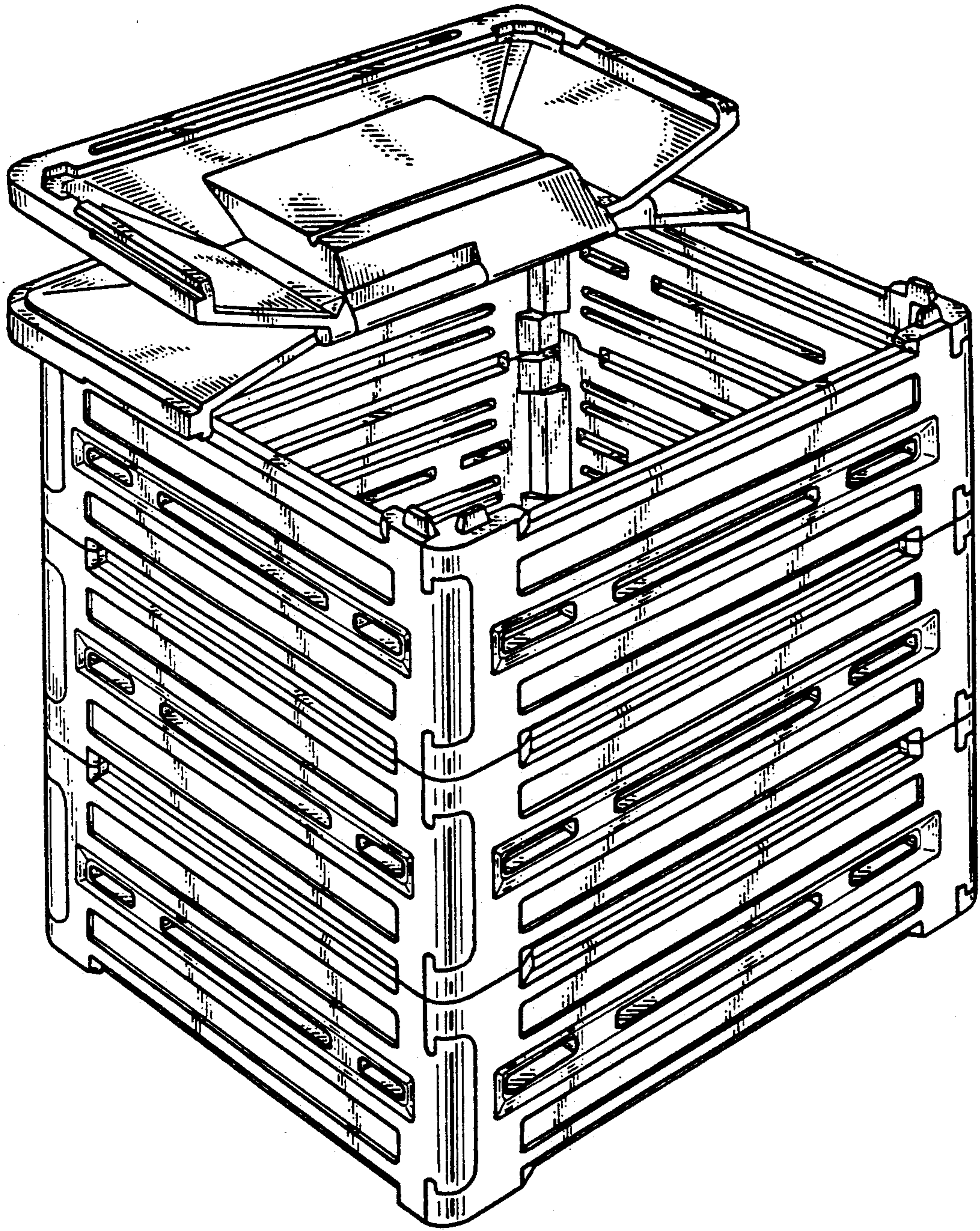


FIG. 2

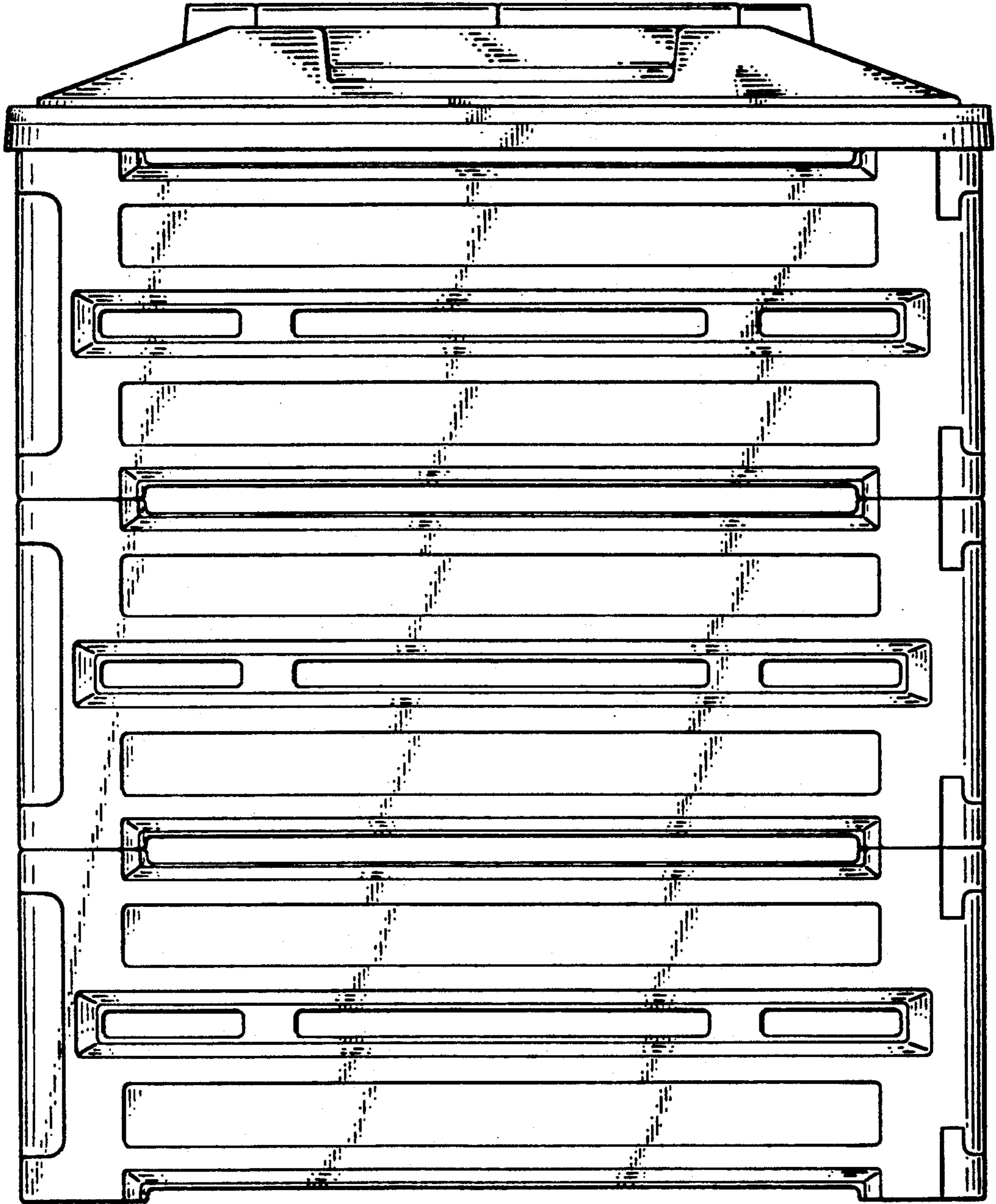


FIG. 3

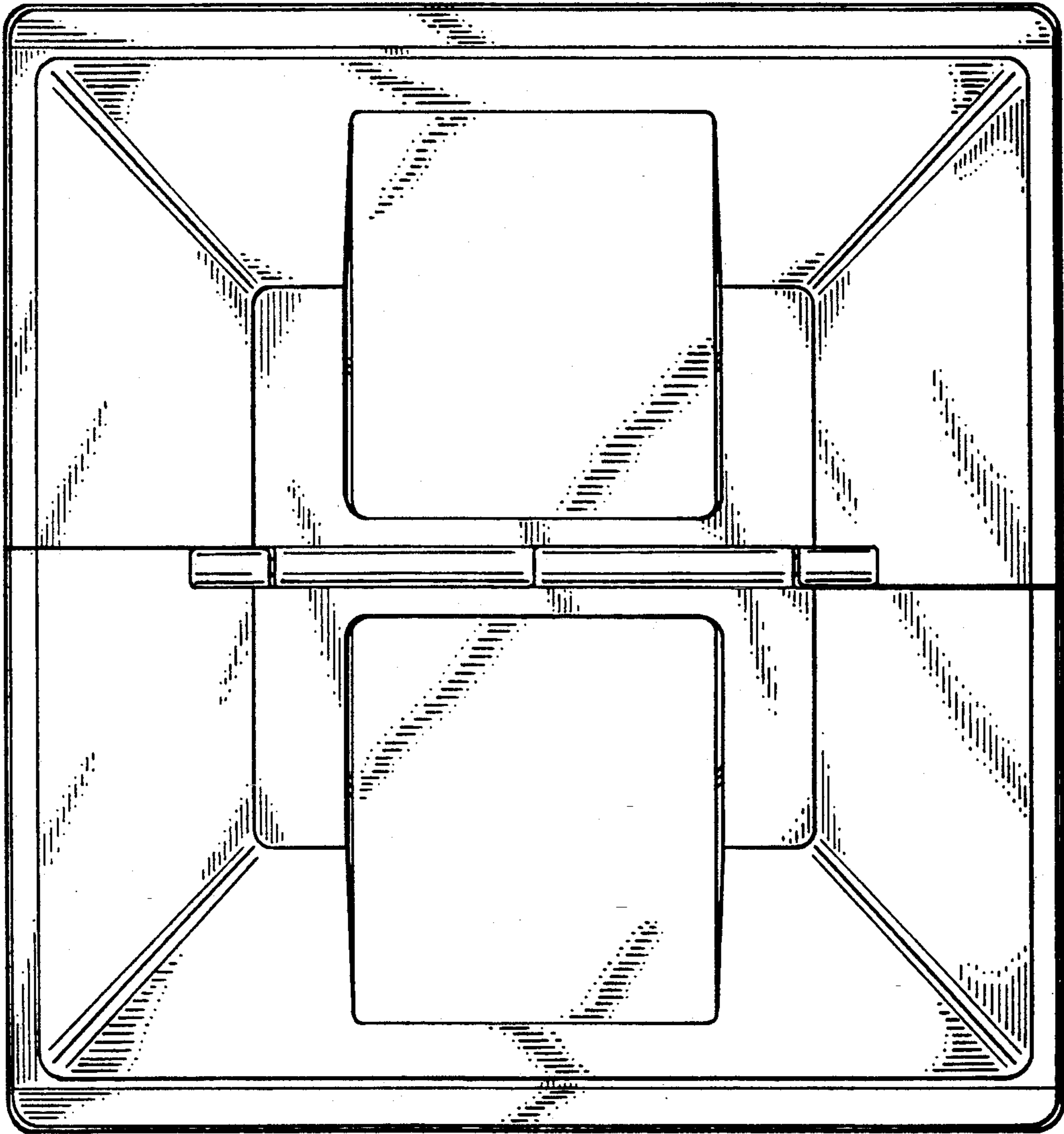


FIG. 4

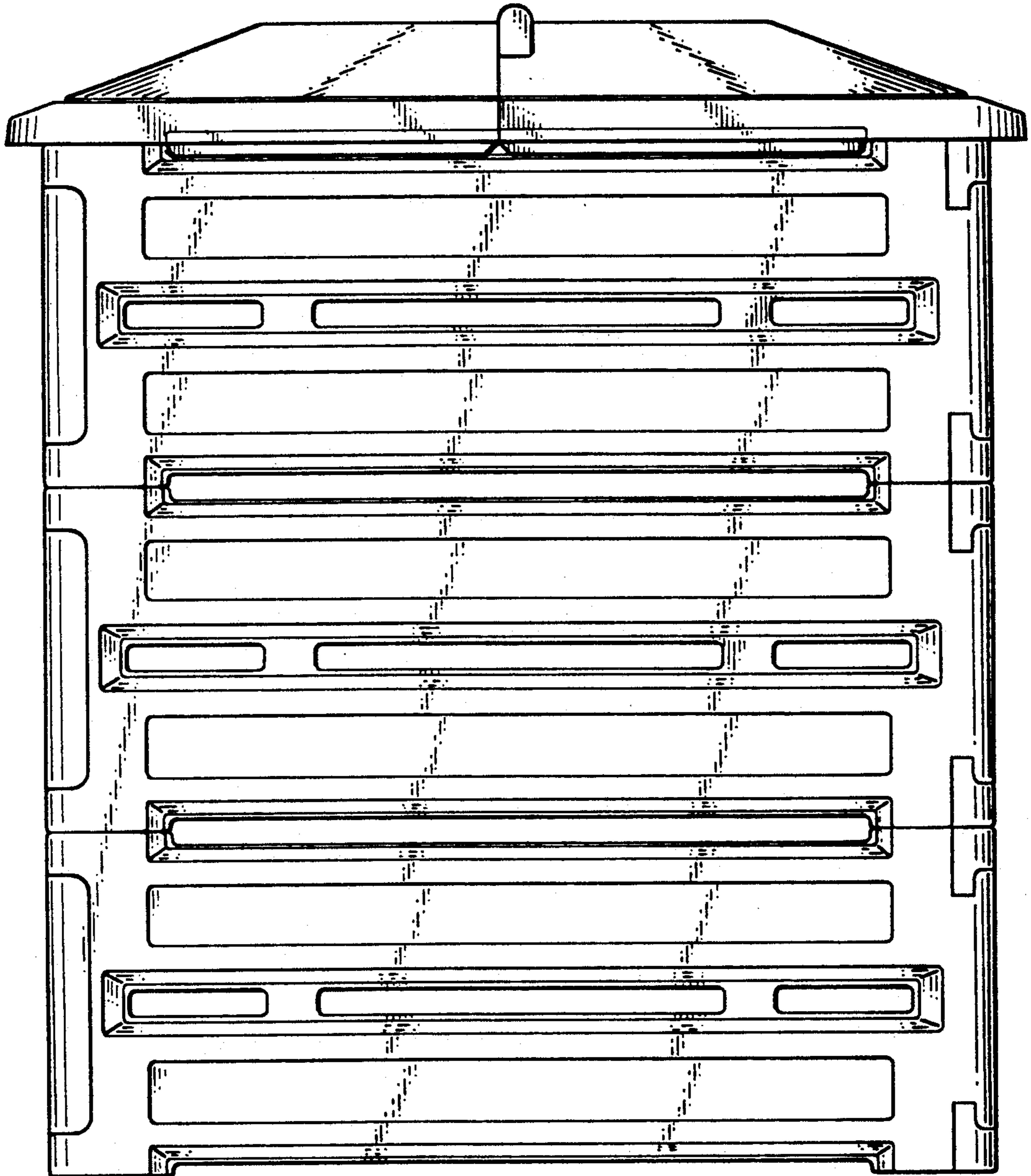


FIG. 5