



US00D332846S

# United States Patent [19]

[11] Patent Number: **Des. 332,846**

Geuvjehizian

[45] Date of Patent: **\*\* Jan. 26, 1993**

[54] **COMBINED AUTOMATIC PET FOOD DISPENSER AND ATTACHED BOWL**

3,434,459 3/1969 Green ..... 119/56.1  
4,735,171 4/1988 Essex ..... 119/56.2

[76] Inventor: **Moushegh Y. Geuvjehizian, 7507 N. First St., #103, Fresno, Calif. 93720**

### FOREIGN PATENT DOCUMENTS

[\*\*] Term: **14 Years**

0093490 8/1962 Denmark ..... 119/56.1  
2179616 3/1987 United Kingdom ..... 119/56.1

[21] Appl. No.: **661,635**

*Primary Examiner*—A. Hugo Word  
*Assistant Examiner*—Cathy Anne MacCormac  
*Attorney, Agent, or Firm*—Allan M. Shapiro

[22] Filed: **Feb. 28, 1991**

[52] U.S. Cl. .... **D30/122**

[58] Field of Search ..... 119/18, 24-26, 119/51.1, 51.03, 51.5, 51.11-51.12, 51.14-51.15, 52.1, 52.3-52.4, 53, 56.1-56.2, 57.1, 57.6-57.7, 61, 63, 72, 72.5; D30/119, 121-122, 124-133; 222/650; 220/525, 502, 254; D7/589

### [57] CLAIM

The ornamental design for a combined automatic pet food dispenser and attached bowl, as shown and described.

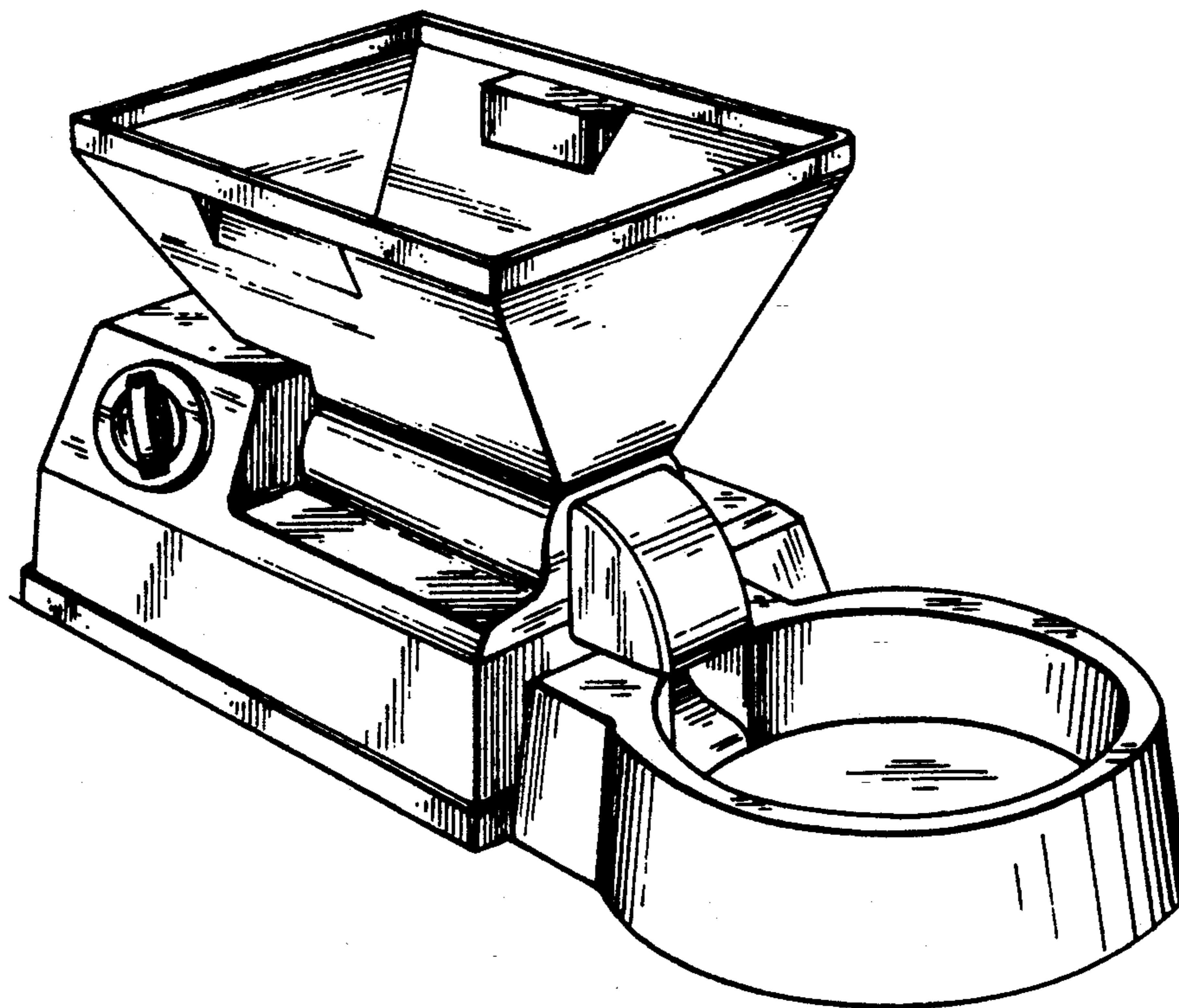
### [56] References Cited

#### U.S. PATENT DOCUMENTS

D. 58,653	8/1921	Wilson	.....	D7/589
D. 86,284	2/1932	Spino	.....	D7/589
D. 288,652	3/1987	Snediker, Sr. et al.	.....	D7/589
779,434	1/1905	Lyon	.....	119/56.1
2,500,243	3/1950	Dixon	.....	119/56.1
2,793,791	5/1957	Clark	.....	119/56.1
3,034,688	5/1962	Rudd	.....	119/56.1
3,088,437	5/1963	Willems	.....	119/56.1
3,152,575	10/1964	Singley et al.	.....	119/56.1

### DESCRIPTION

FIG. 1 is a perspective view from the front, right side and top of the dispenser of a combined automatic pet food dispenser and attached bowl;  
FIG. 2 is a right side elevational view thereof;  
FIG. 3 is a rear elevational view thereof;  
FIG. 4 is a front elevational view thereof;  
FIG. 5 is a left side elevational view thereof;  
FIG. 6 is a top plan view thereof; and,  
FIG. 7 is a perspective view of a combined automatic pet food dispenser and attached bowl showing my new design, the bowl being symmetrical and the bottom being plain and unornamented.



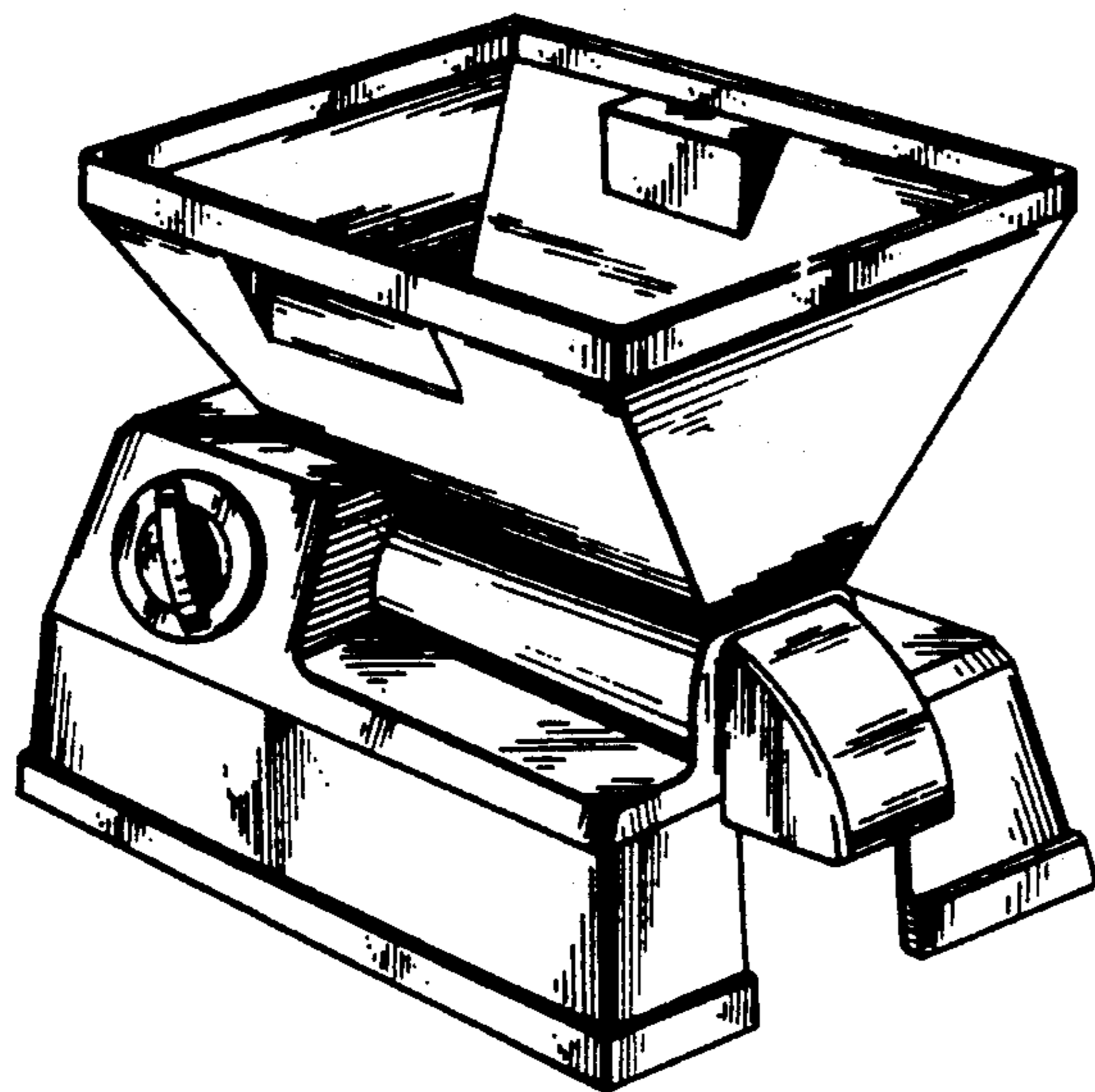


FIG. 1

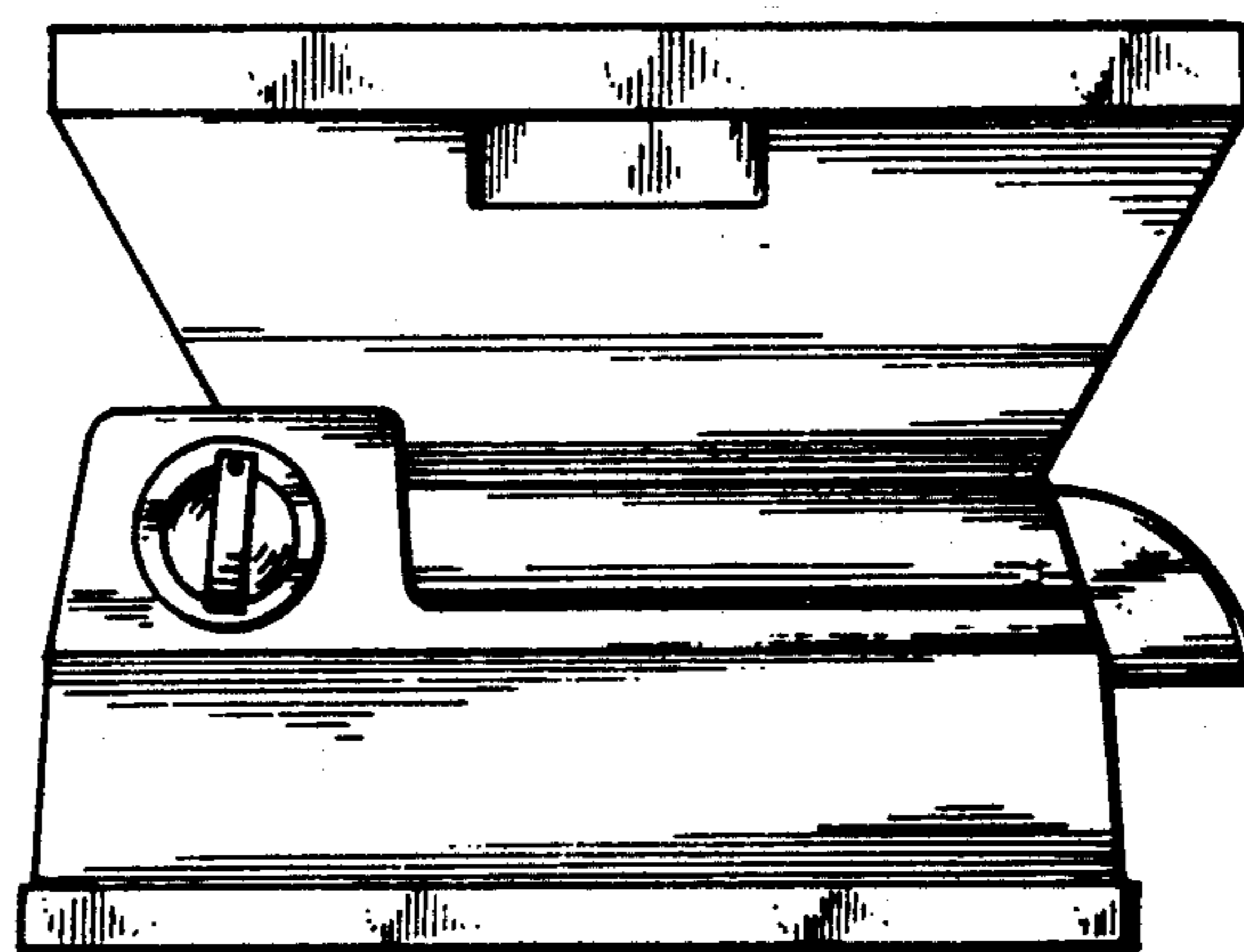


FIG. 2

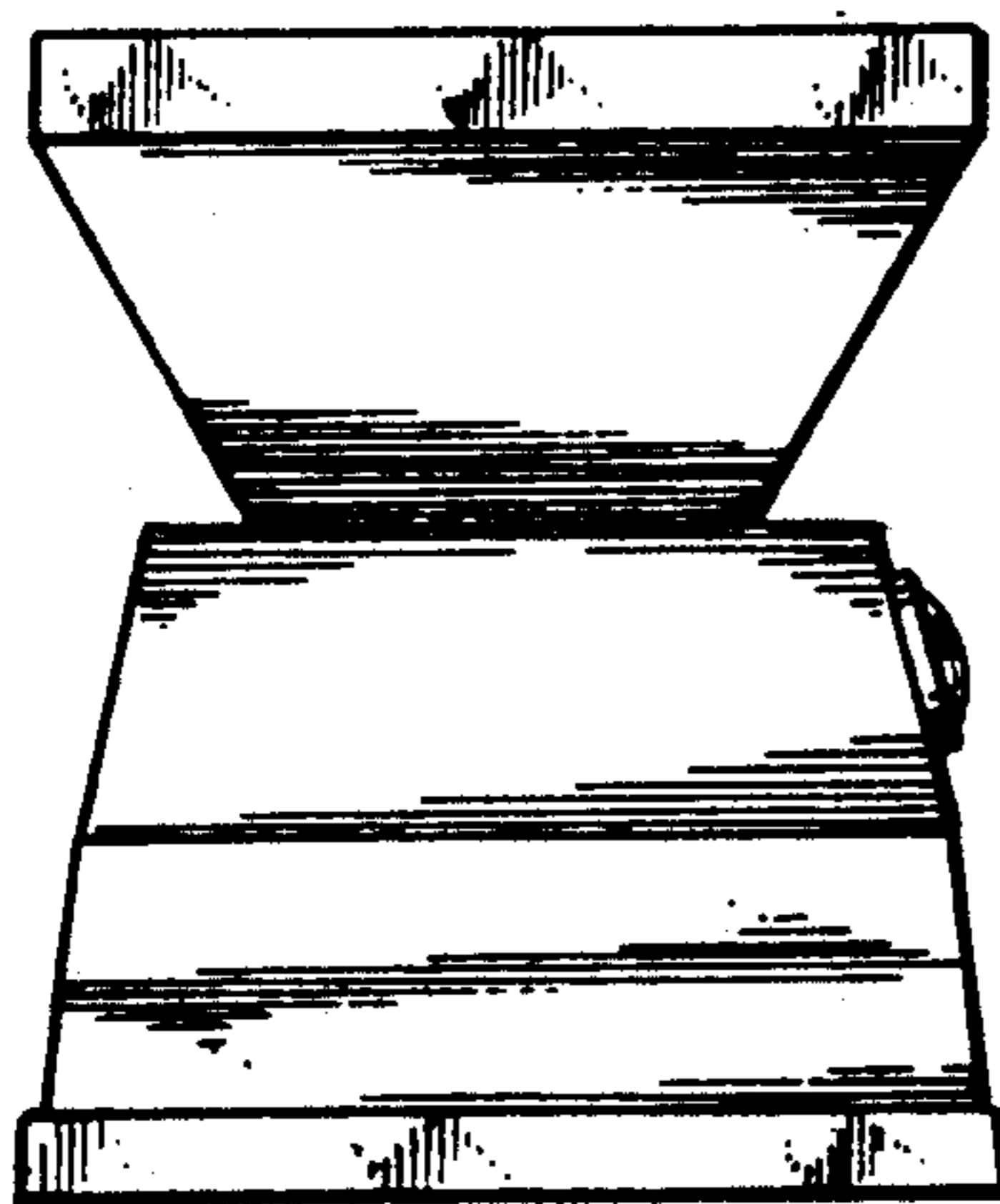


FIG. 3

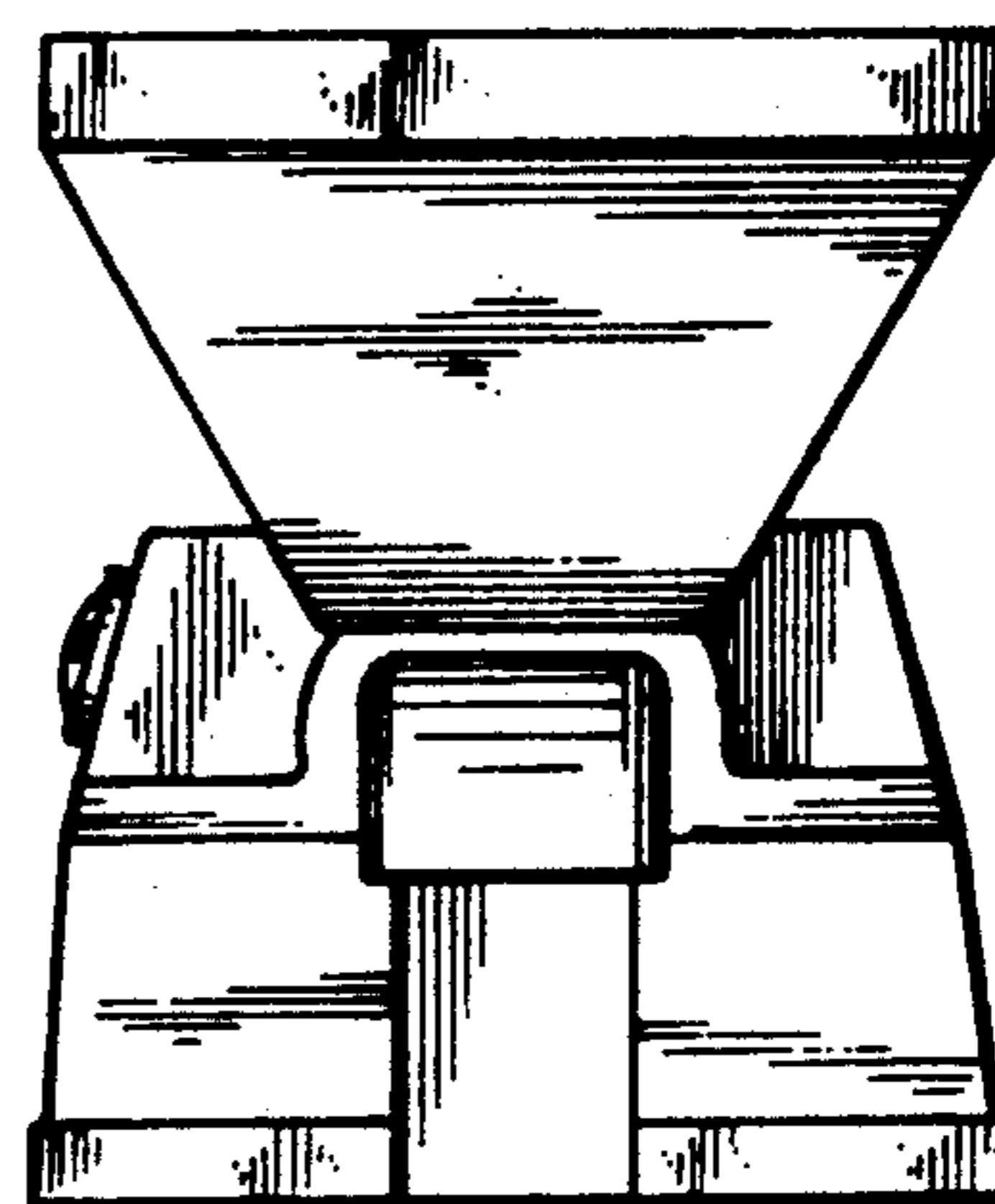


FIG. 4

FIG. 5

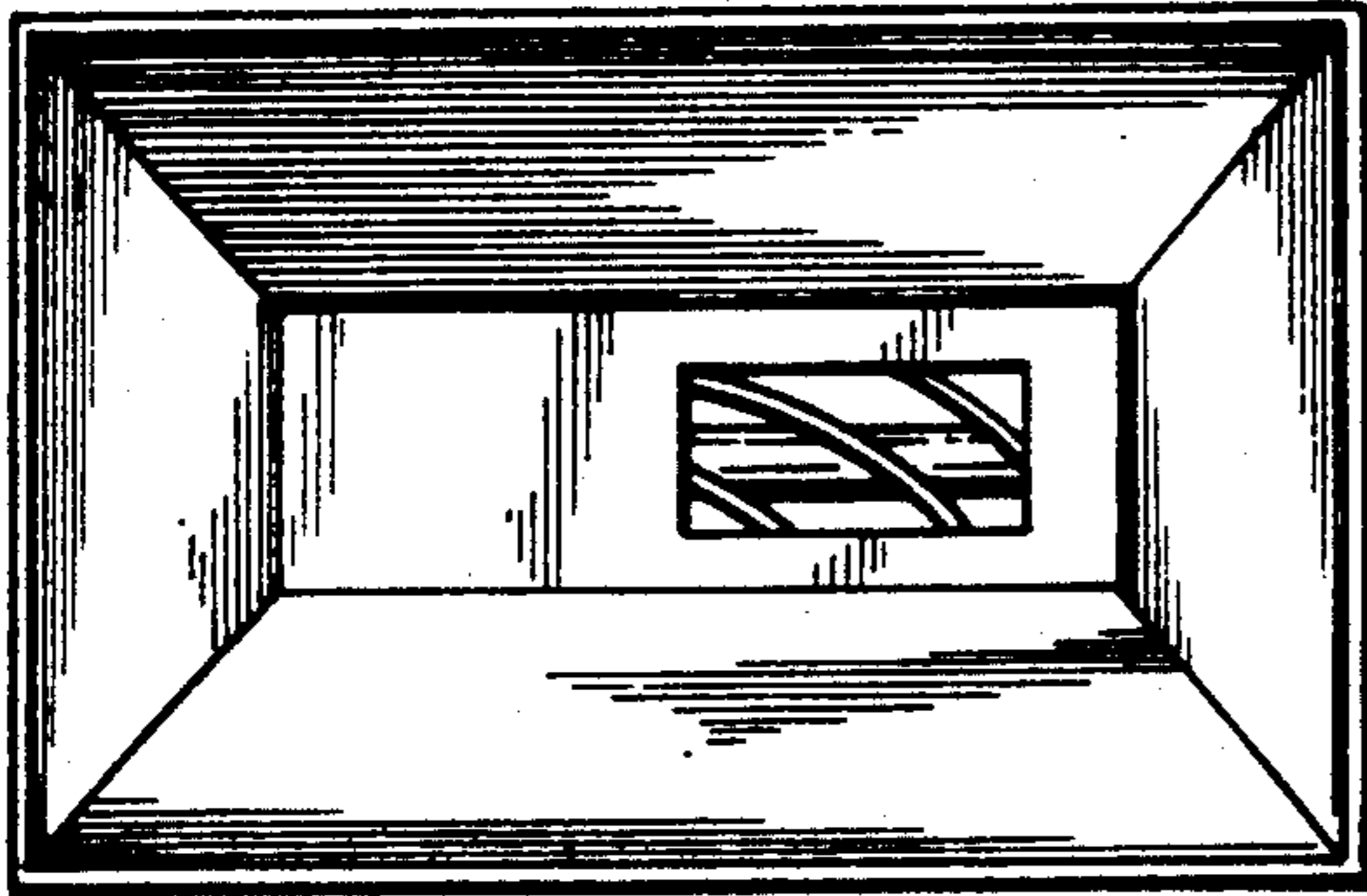
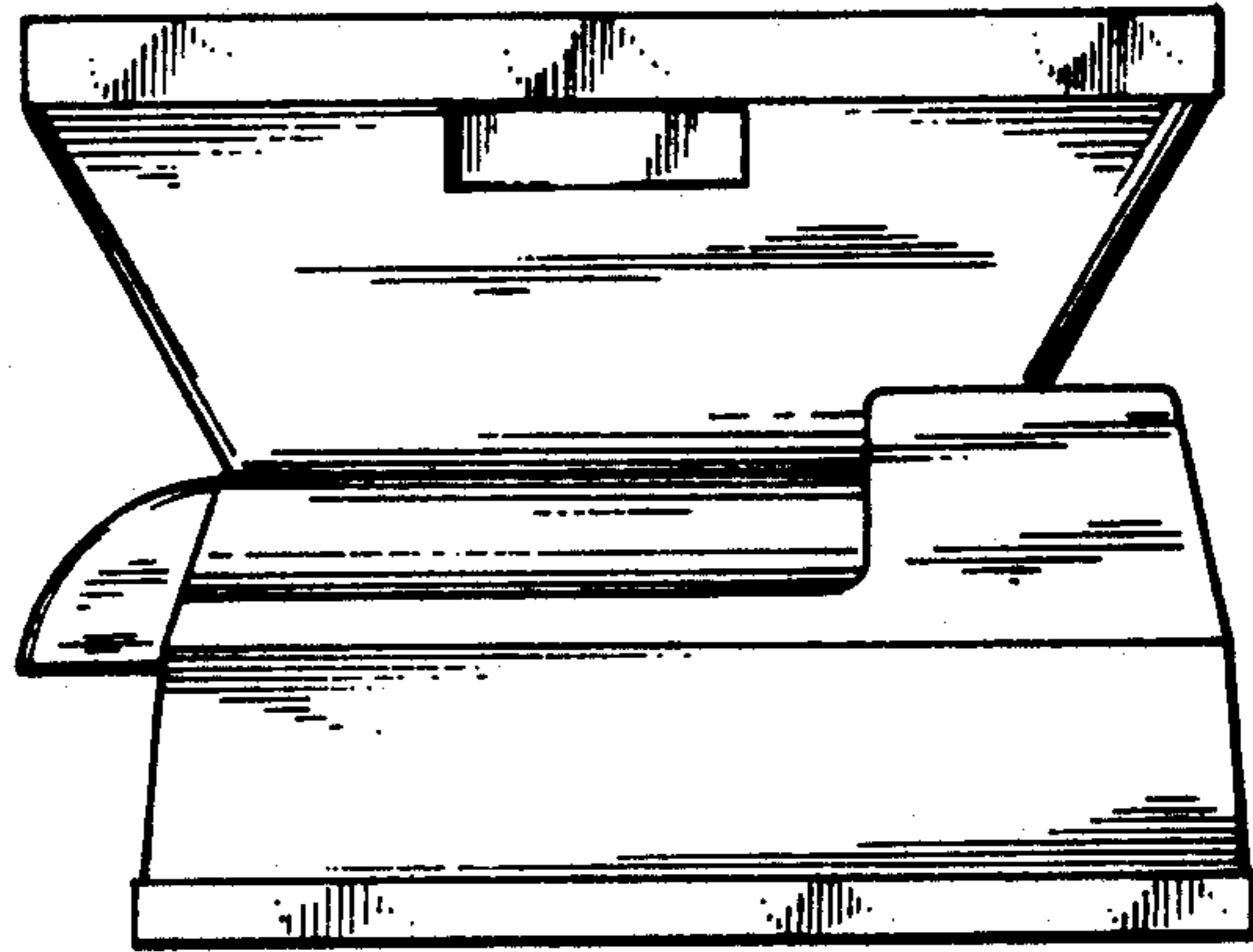


FIG. 6

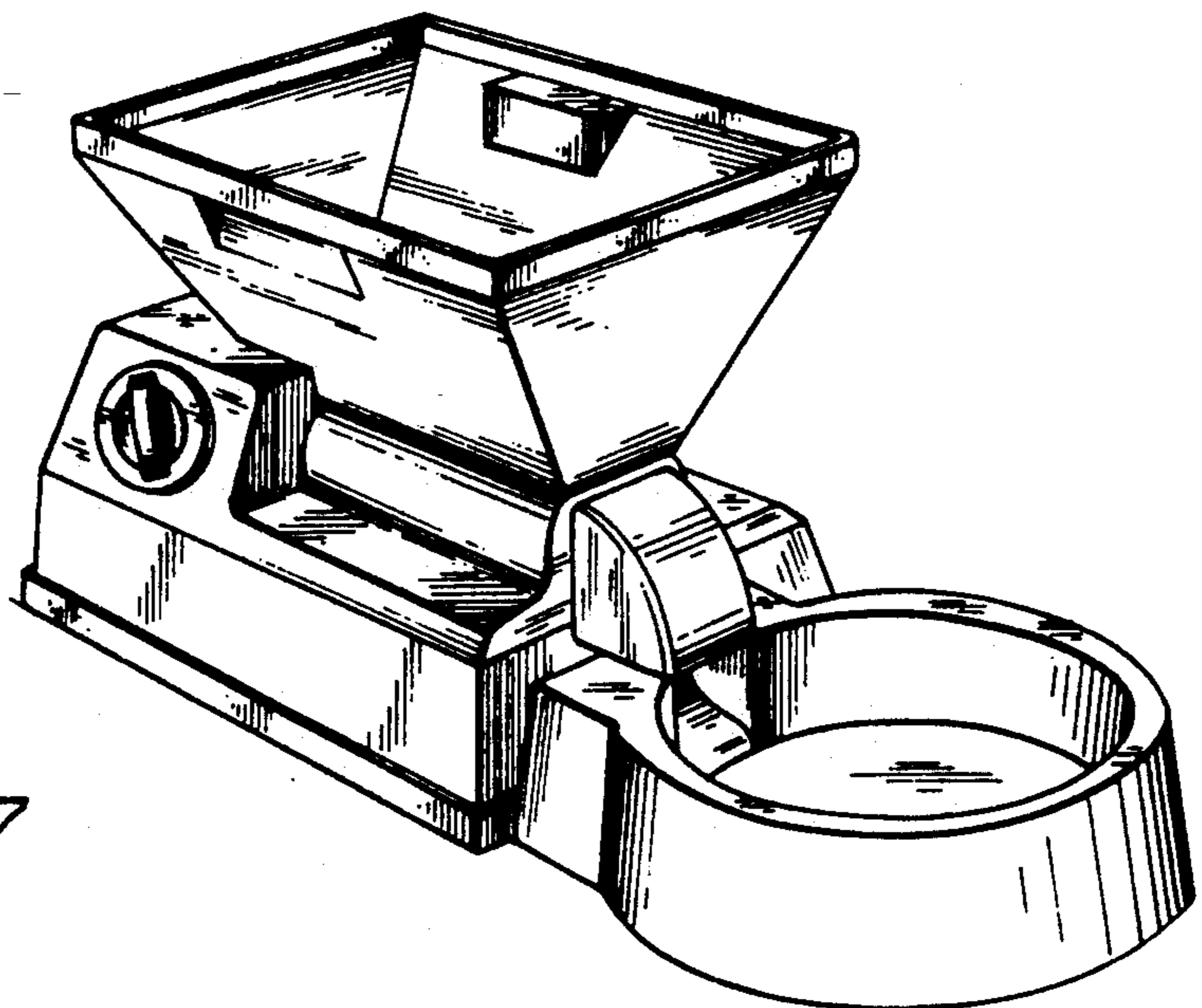


FIG. 7