



US00D332838S

United States Patent [19]

[11] Patent Number: **Des. 332,838**

Lu

[45] Date of Patent: **** Jan. 26, 1993**

[54] **COMBINED SPEAKER AND AUXILIARY BRAKE LIGHT FOR VEHICLES**

3,564,497 2/1971 Gazzo 340/474
4,851,813 7/1989 Gottlieb D10/114 X

[75] Inventor: **Alex Lu, Taipei Hsien, Taiwan**

Primary Examiner—Susan J. Lucas
Attorney, Agent, or Firm—Lowe, Price, Le Blanc & Becker

[73] Assignee: **Dainty Electric Industries Co., Ltd., Taipei Hsien, Taiwan**

[**] Term: **14 Years**

[57] **CLAIM**

[21] Appl. No.: **693,270**

The ornamental design for combined speaker and auxiliary brake light for vehicles, as shown and described.

[22] Filed: **Apr. 24, 1991**

DESCRIPTION

[52] U.S. Cl. **D26/34; D10/120; D26/28**

FIG. 1 is a front elevational view of combined speaker and auxiliary brake light for vehicles showing my new design;

[58] Field of Search **D26/28-35; 362/61, 74, 80, 80.1, 83, 83.2; 340/468-475**

FIG. 2 is a rear elevational view thereof;

FIG. 3 is a left side elevational view thereof;

FIG. 4 is a right side elevational view thereof;

FIG. 5 is a top plan view thereof;

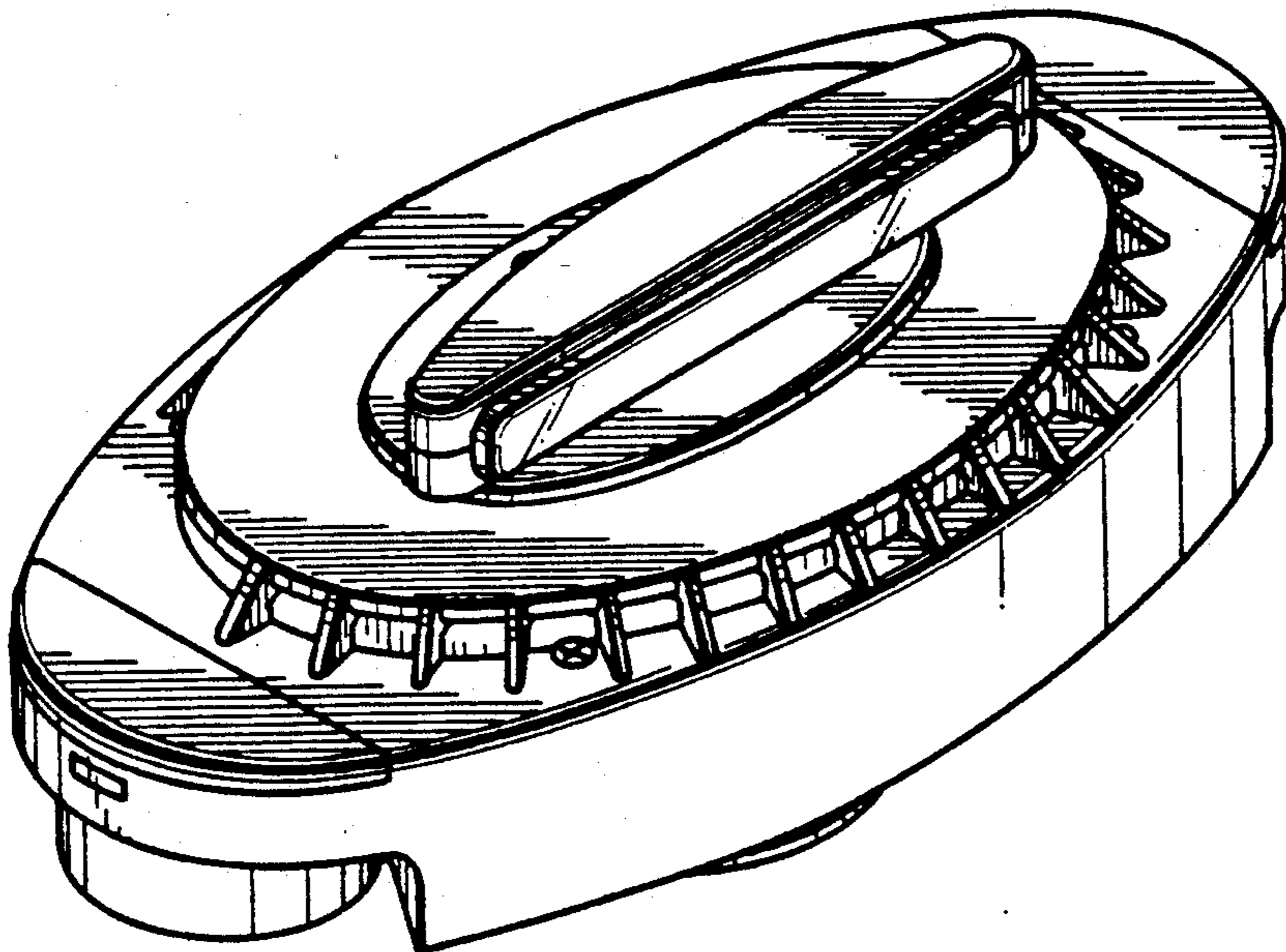
FIG. 6 is a bottom plan view thereof; and,

FIG. 7 is a top, front perspective view thereof.

[56] **References Cited**

U.S. PATENT DOCUMENTS

D. 316,230 4/1991 Munoz D26/28



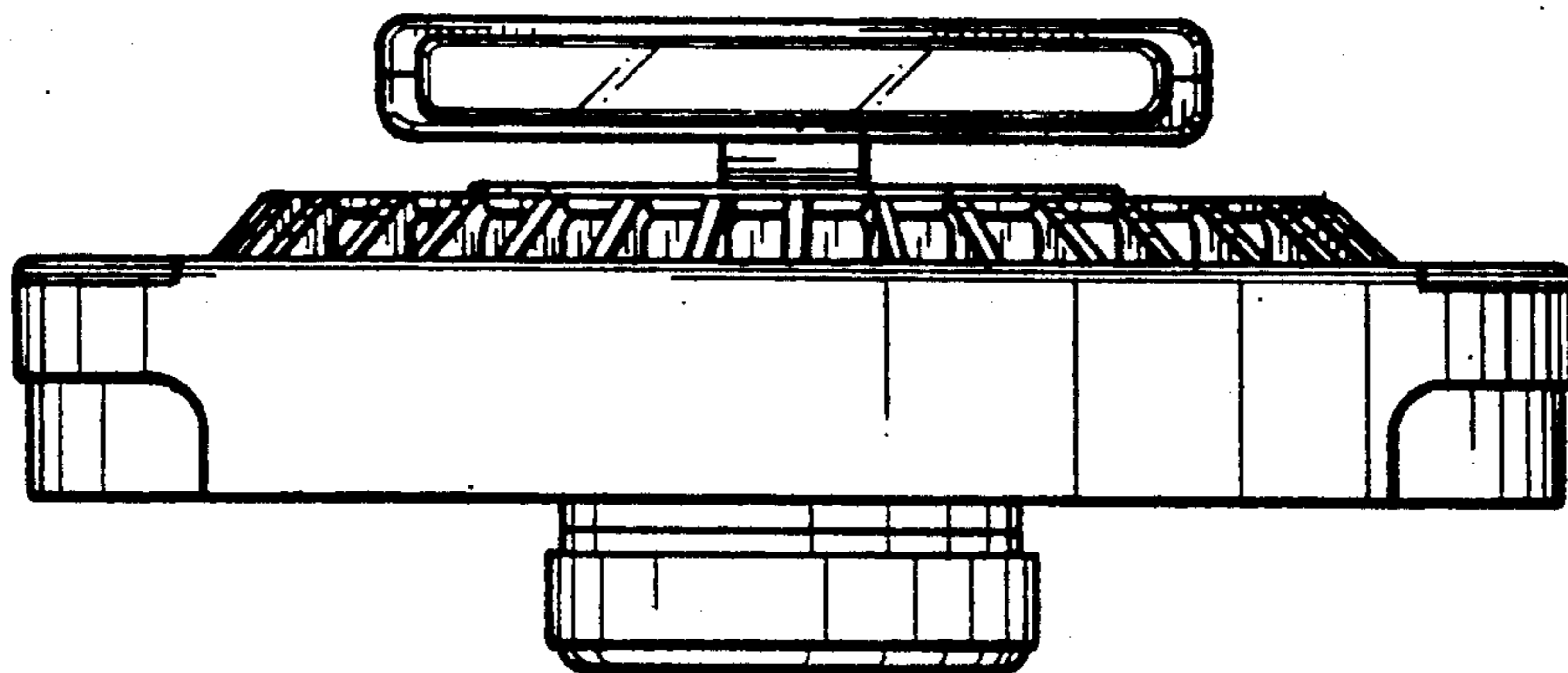


FIG. 1

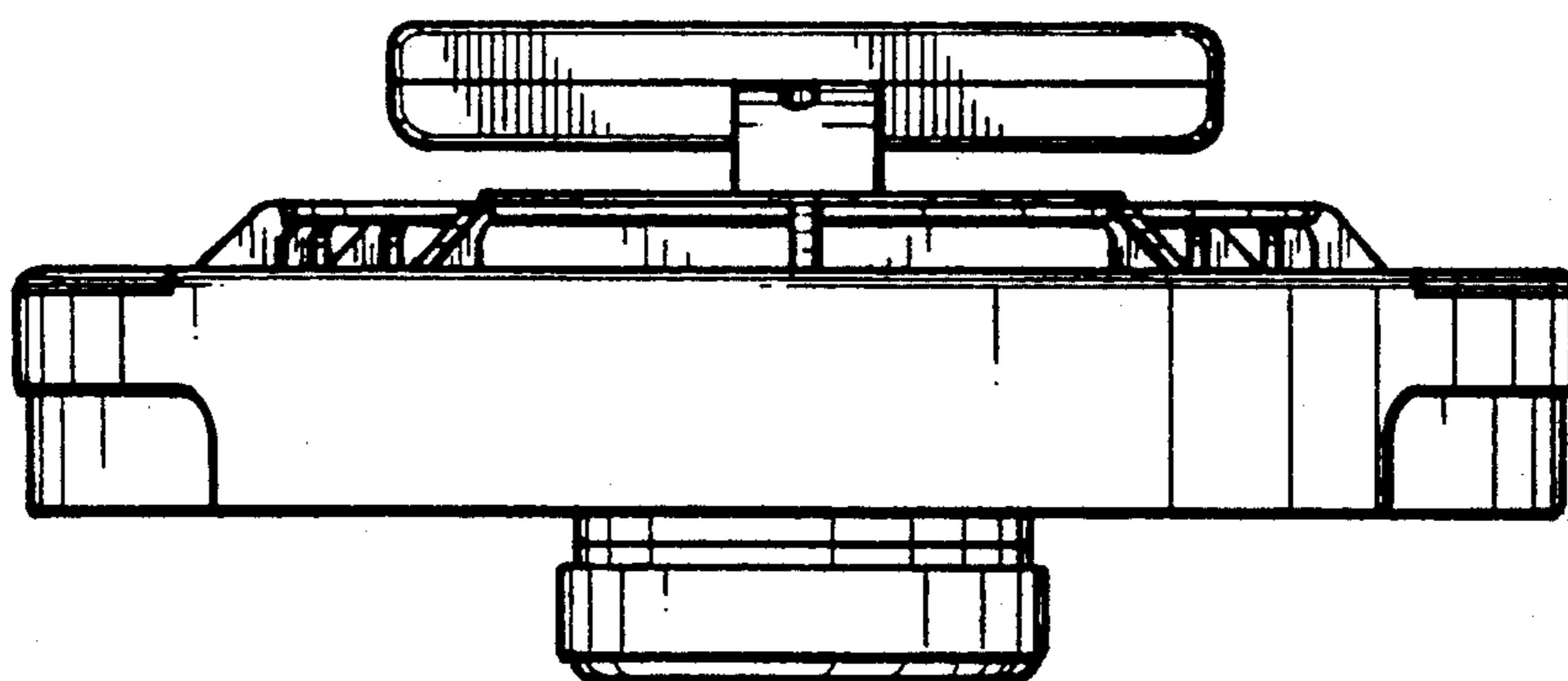


FIG. 2

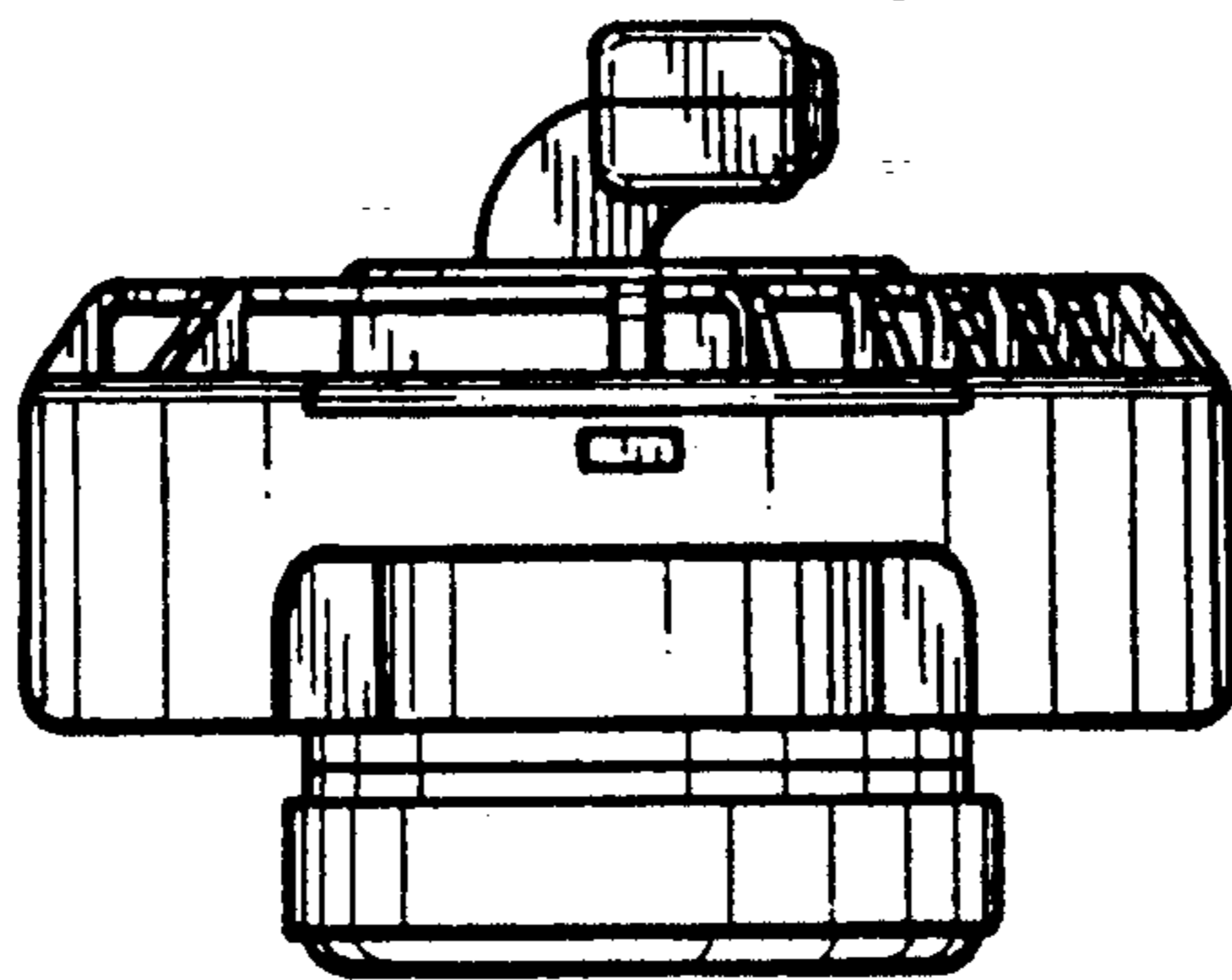


FIG. 3

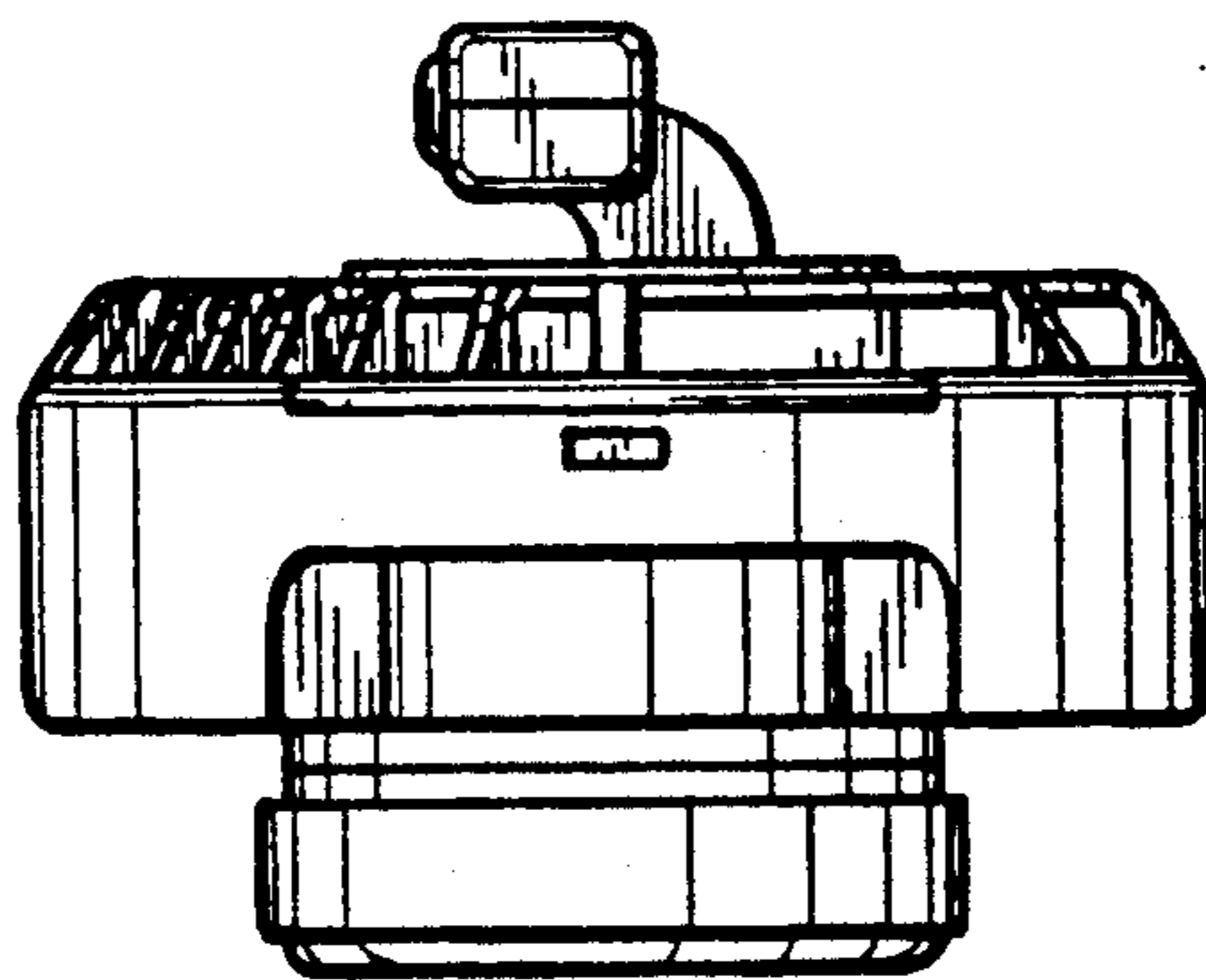


FIG. 4

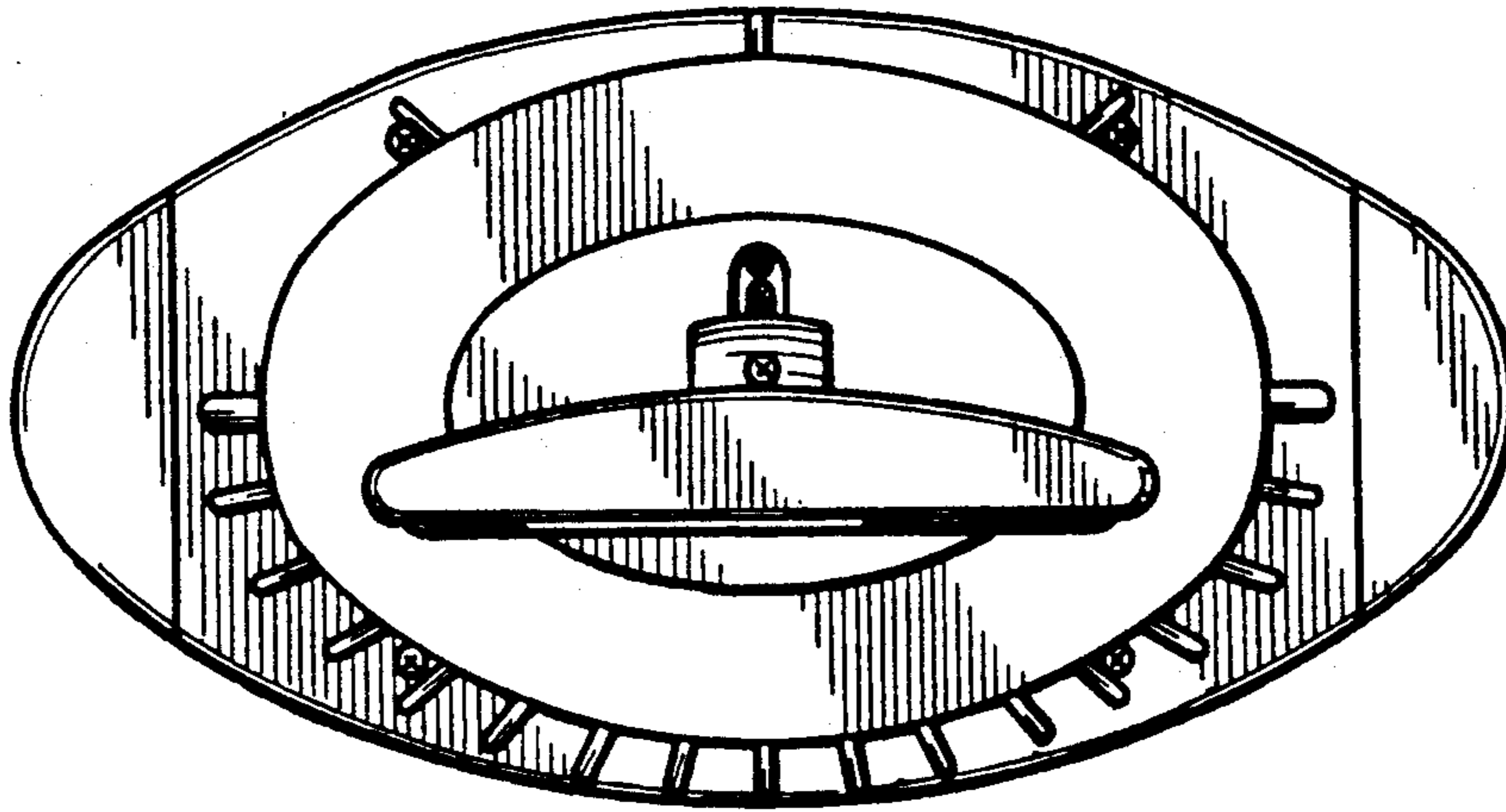


FIG. 5

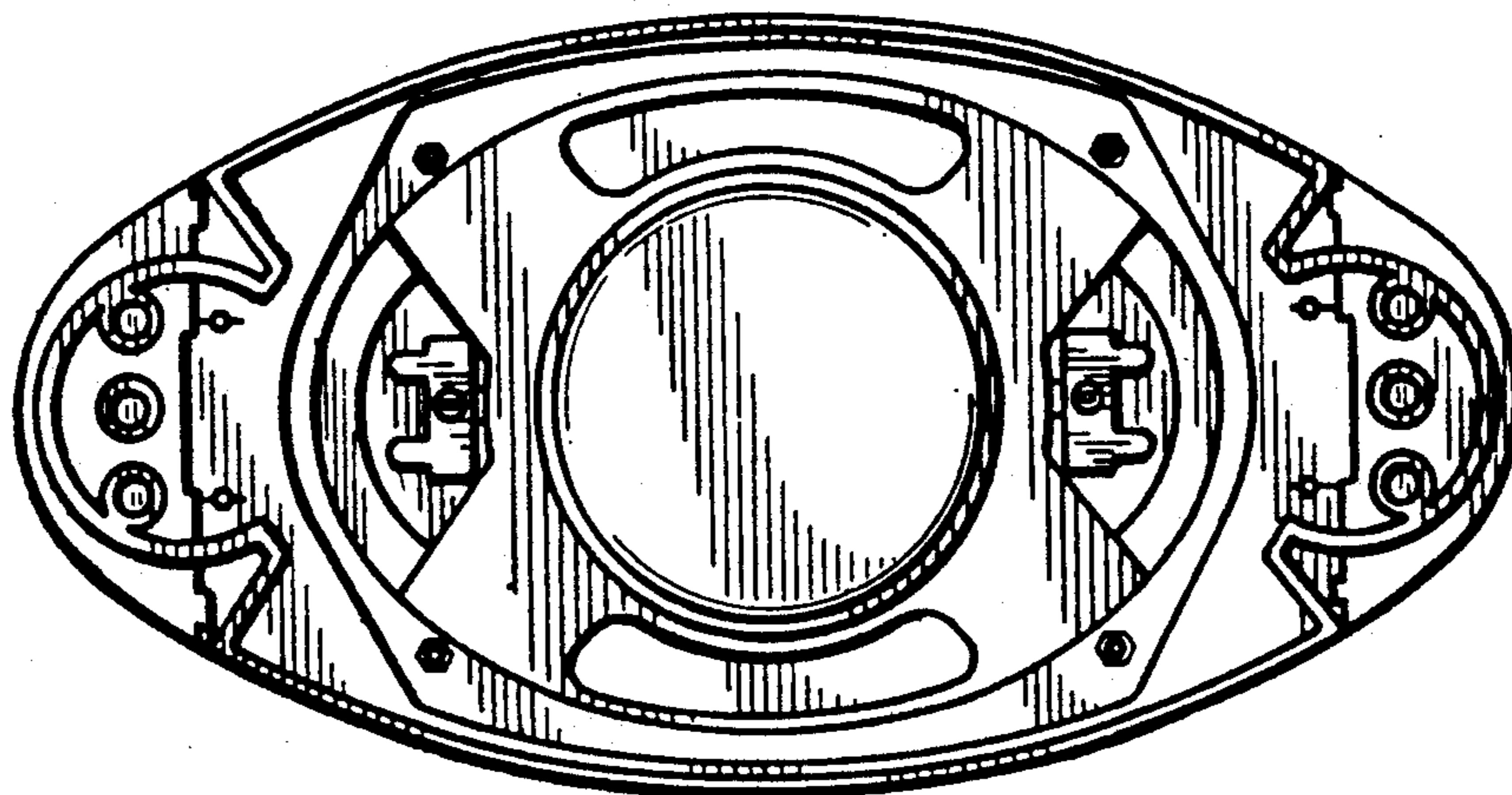


FIG. 6

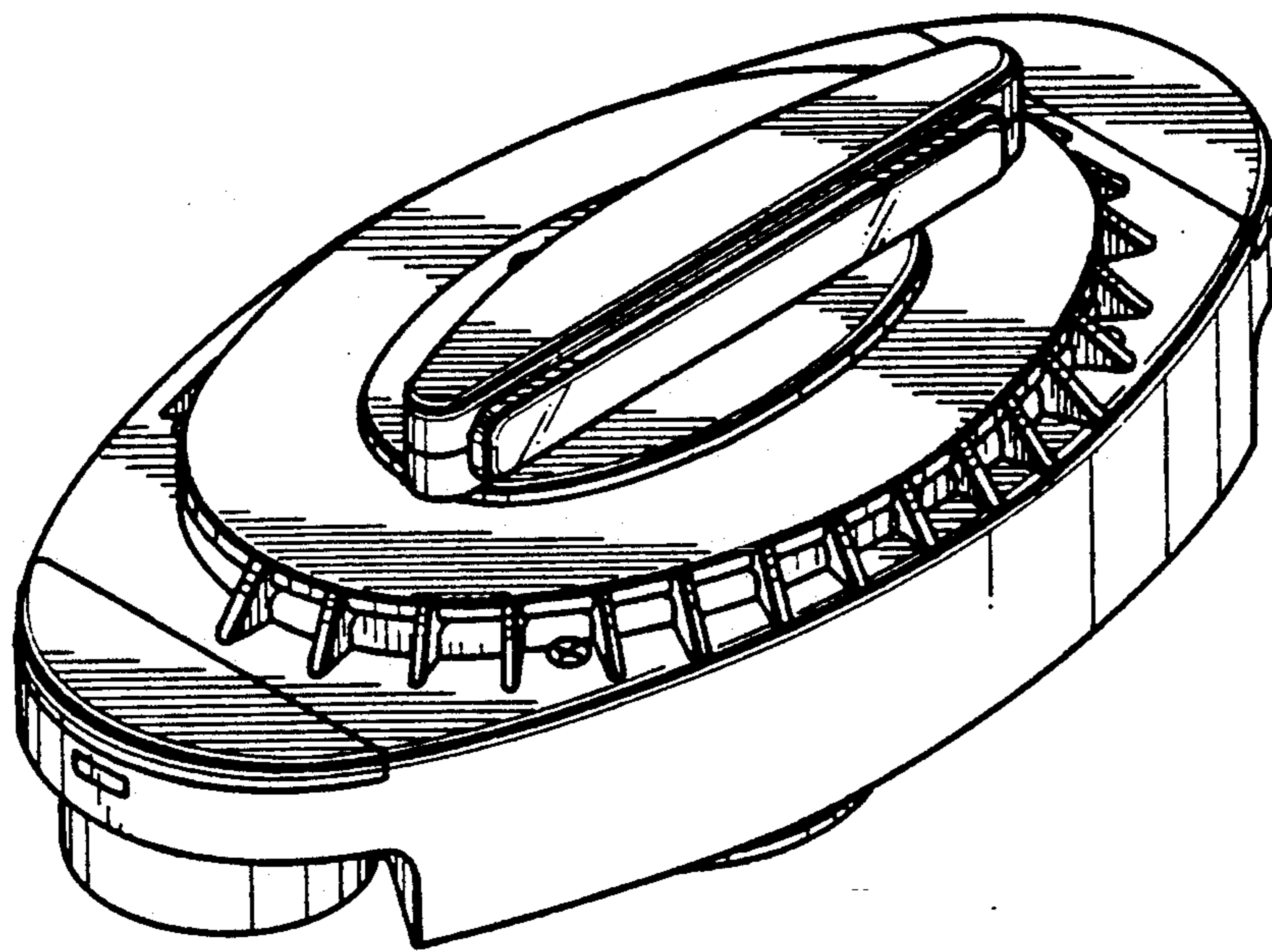


FIG. 7