



US00D332835S

United States Patent [19]

Antocci et al.

[11] Patent Number: **Des. 332,835**

[45] Date of Patent: **** Jan. 26, 1993**

[54] REAGENT CONTAINER

[75] Inventors: **Joseph D. Antocci**, Leominster, Mass.; **George P. Anderson**, Nashua, N.H.

[73] Assignee: **Iniziativa Marittime 1991, s.r.l.**, Turin, Italy

[**] Term: **14 Years**

[21] Appl. No.: **473,384**

[22] Filed: **Feb. 1, 1990**

[52] U.S. Cl. **D24/224**

[58] Field of Search **D24/224, 216; 422/102, 422/101, 100; D9/376**

[56] **References Cited**

U.S. PATENT DOCUMENTS

- D. 287,638 1/1987 Moore et al. D24/224
- D. 290,400 6/1987 Tong D24/224
- D. 311,876 11/1990 Ikegami D24/224
- 4,764,342 8/1988 Kelln et al. .

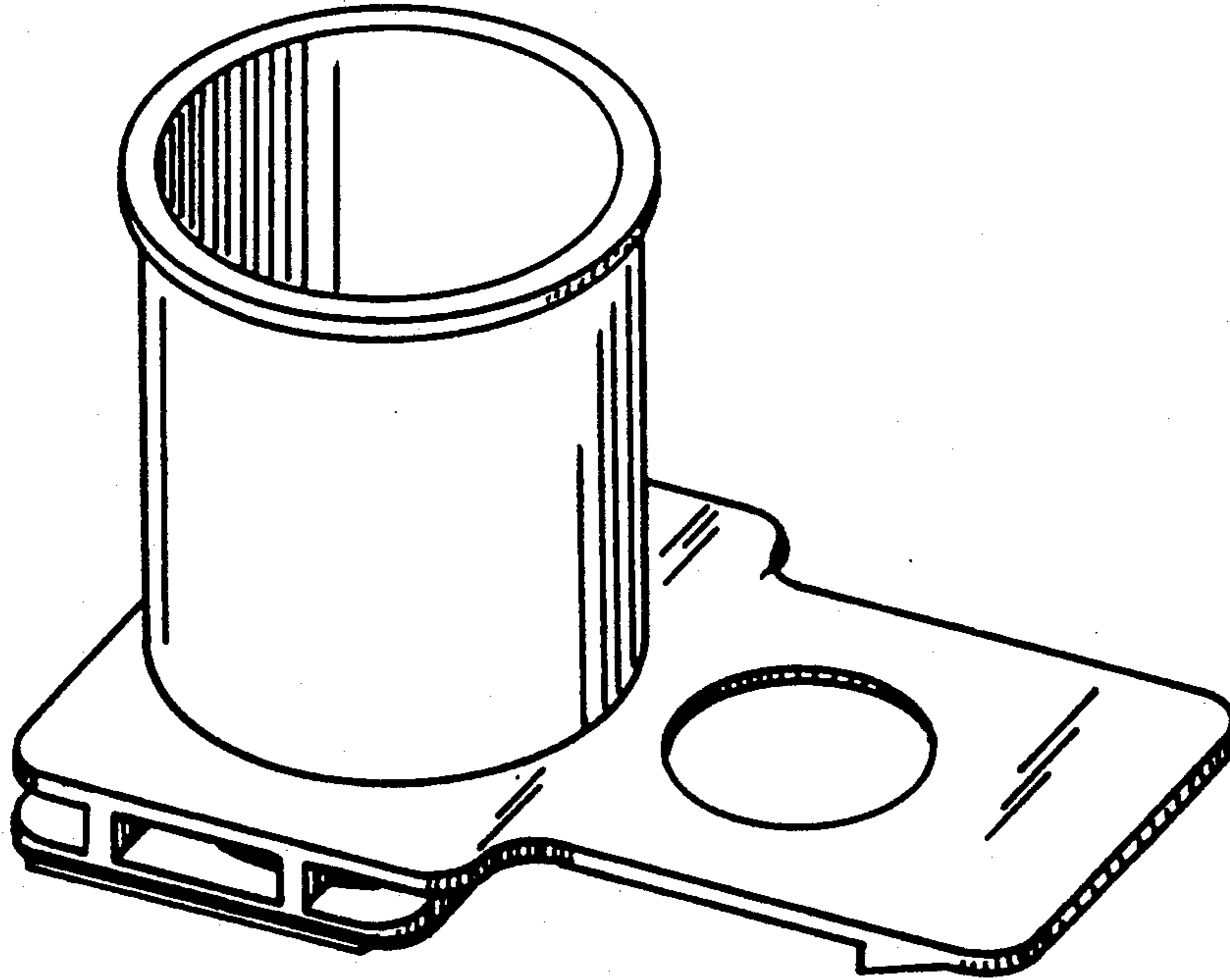
Primary Examiner—Stella Reid
Attorney, Agent, or Firm—Fish & Richardson

[57] **CLAIM**

The ornamental design for a reagent container, as shown and described.

DESCRIPTION

FIG. 1 is a perspective view of a reagent container showing our new design;
 FIG. 2 is a side elevational view thereof;
 FIG. 3 is a top plan view thereof;
 FIG. 4 is a bottom plan view thereof;
 FIG. 5 is a left side elevational view thereof; and,
 FIG. 6 is a right side elevational view thereof.



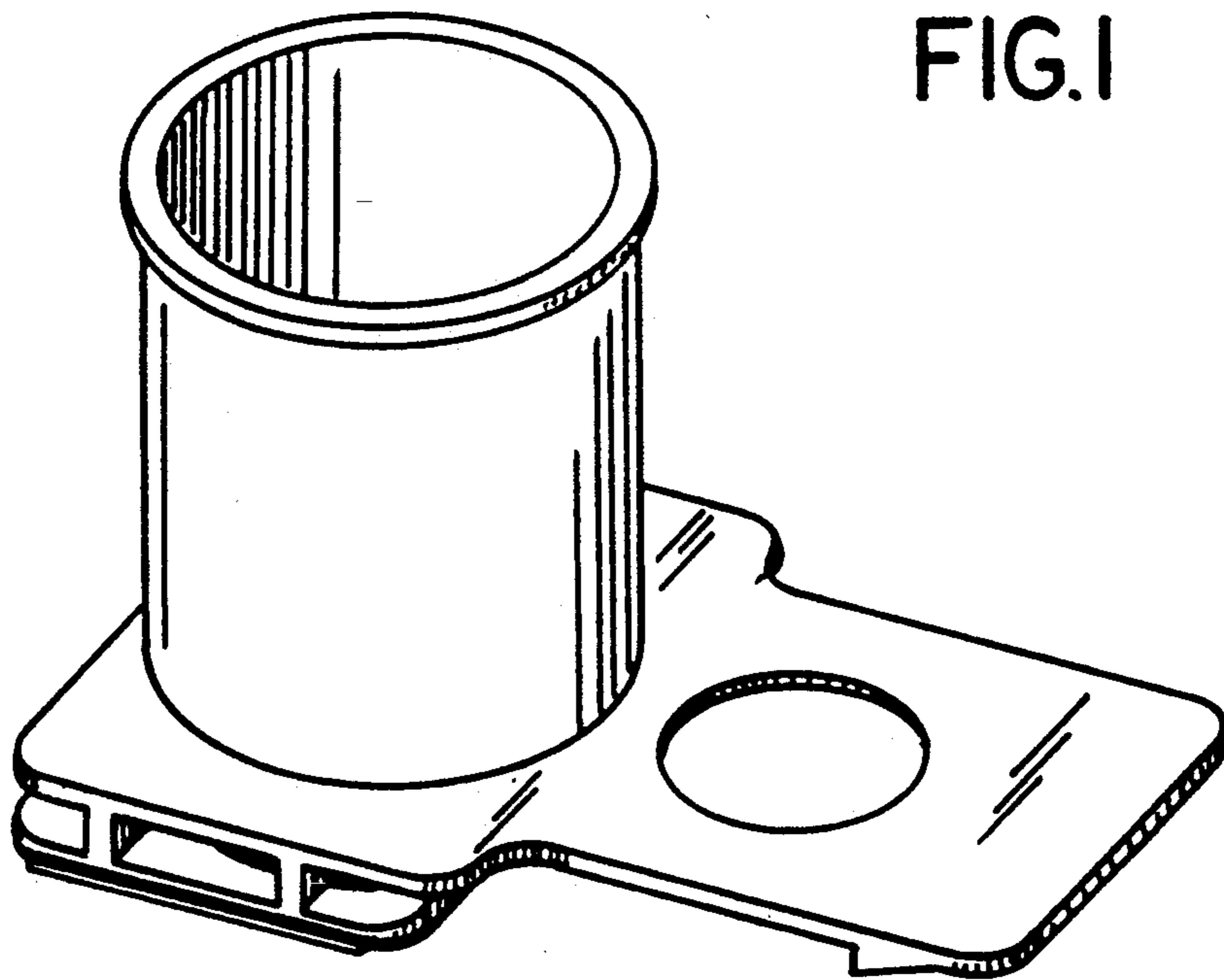


FIG. 1

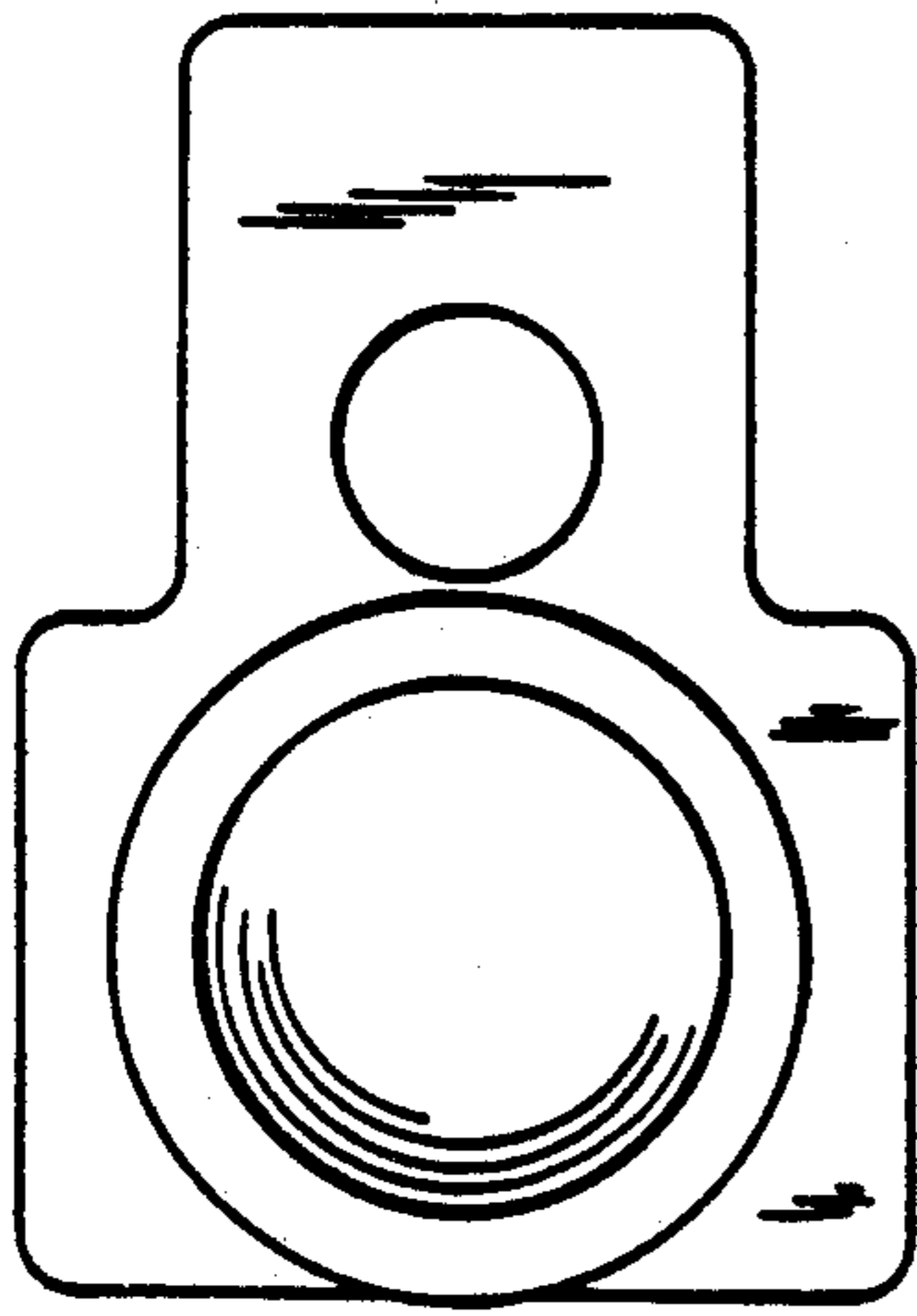


FIG. 3

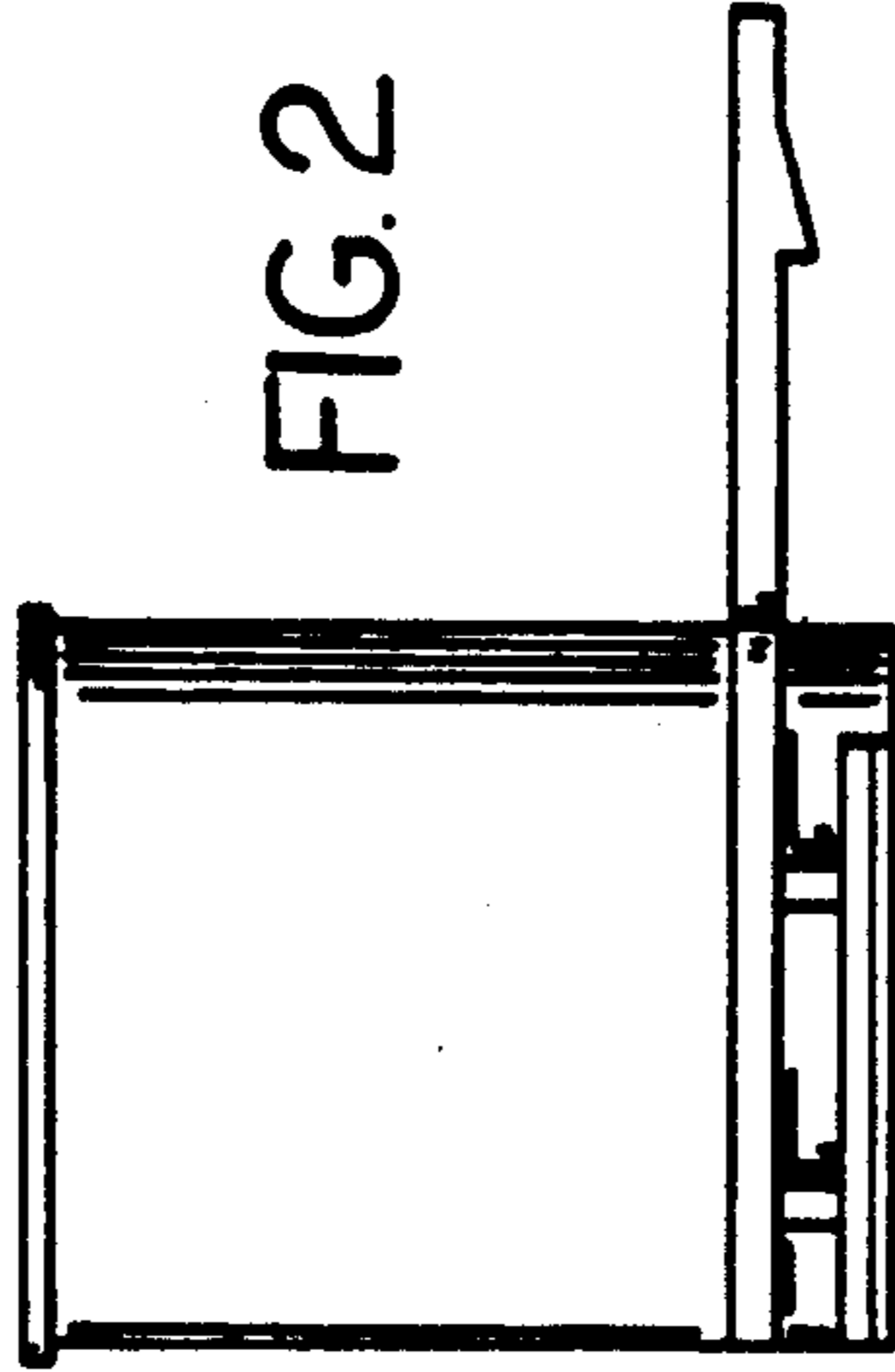


FIG. 2

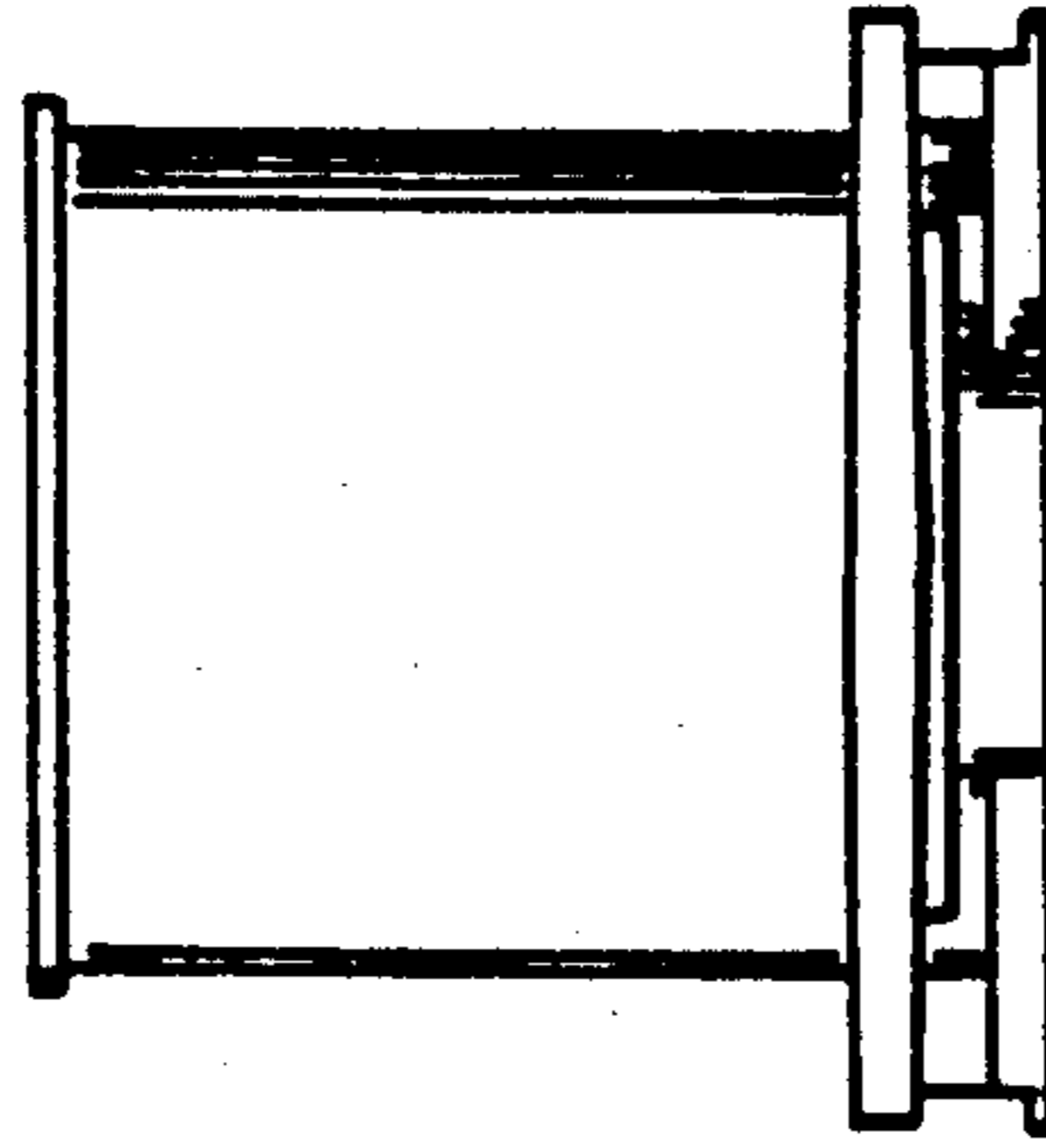


FIG. 6

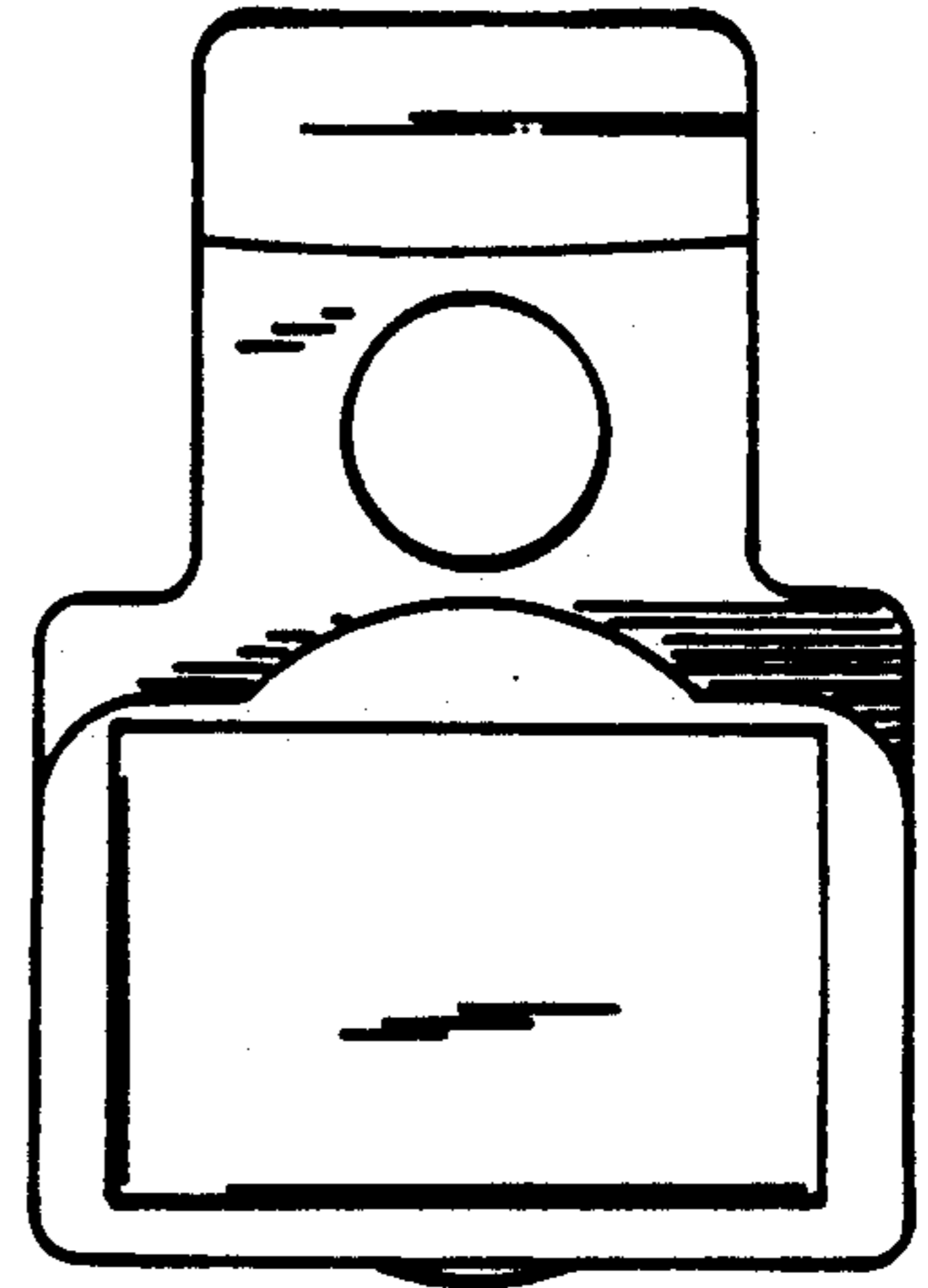


FIG. 4

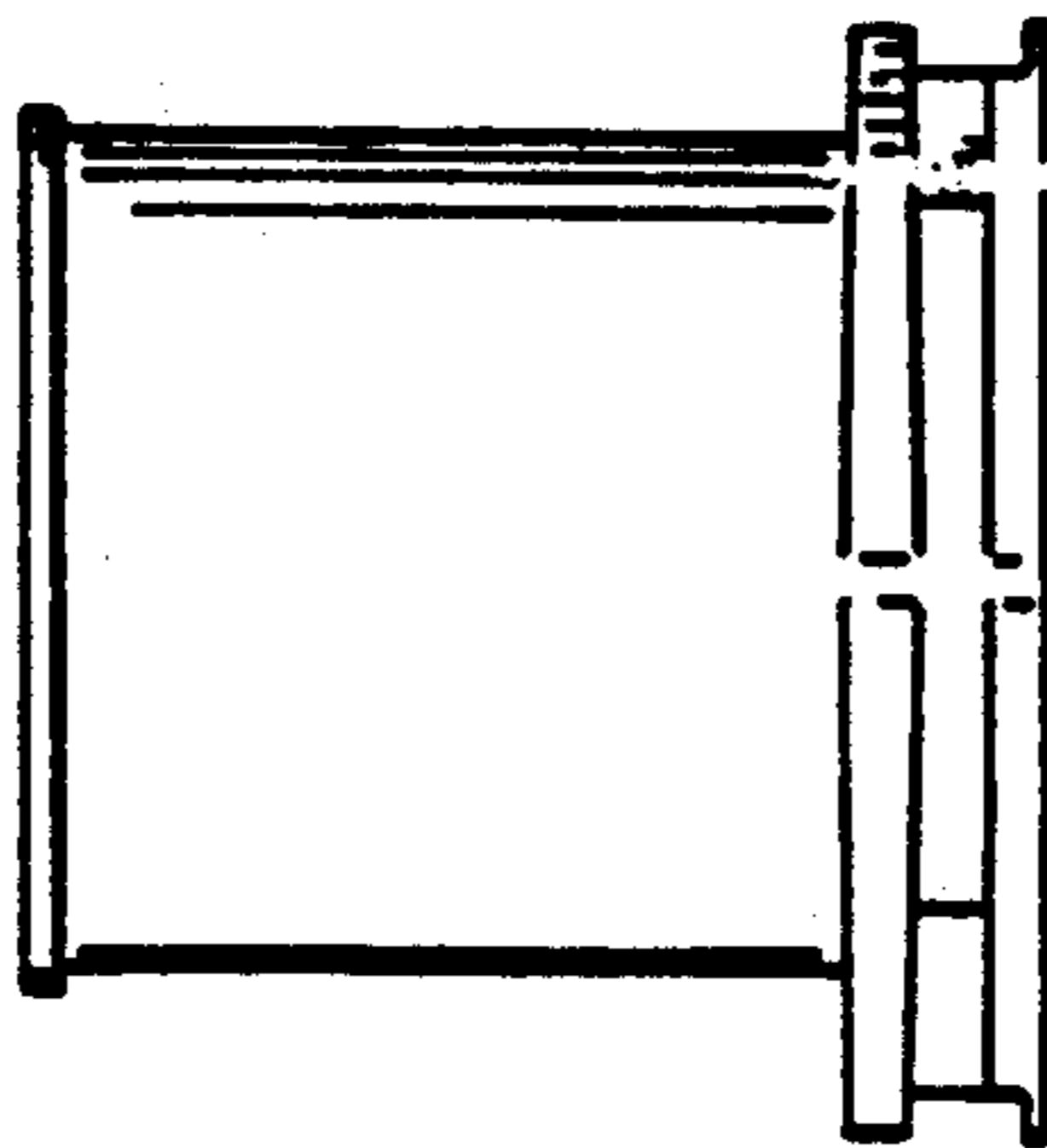


FIG. 5