



US00D332834S

United States Patent [19]

[11] Patent Number: **Des. 332,834**

Hanna et al.

[45] Date of Patent: **** Jan. 26, 1993**

[54] **DISPOSABLE IMMUNOASSAY REACTION TRAY**

[75] Inventors: **Charles F. Hanna, Libertyville; Thomas F. Zurek, River Forest; Omar S. Khalil, Libertyville, all of Ill.**

[73] Assignee: **Abbott Laboratories, Abbott Park, Ill.**

[**] Term: **14 Years**

[21] Appl. No.: **570,565**

[22] Filed: **Aug. 21, 1990**

[52] U.S. Cl. **D24/223; D24/227; D24/229; D24/230**

[58] Field of Search **D24/223, 222, 224, 229, D24/230; D7/553, 550; 422/65, 61, 58, 102; 436/809; 435/975, 809, 810; 356/246; 206/557, 558**

[56] **References Cited**

U.S. PATENT DOCUMENTS

- D. 280,663 9/1985 Albon et al. D24/229 X
- D. 283,159 3/1986 Godsey D24/223

- D. 283,161 3/1986 Godsey D24/229 X
- D. 301,167 5/1989 Raybould et al. D24/230 X
- 3,356,462 12/1987 Cooke et al. 206/558 X
- 3,649,464 3/1972 Freeman 206/558 X
- 4,370,419 1/1983 Iida et al. 422/61 X
- 4,761,378 8/1988 Godsey 422/102 X

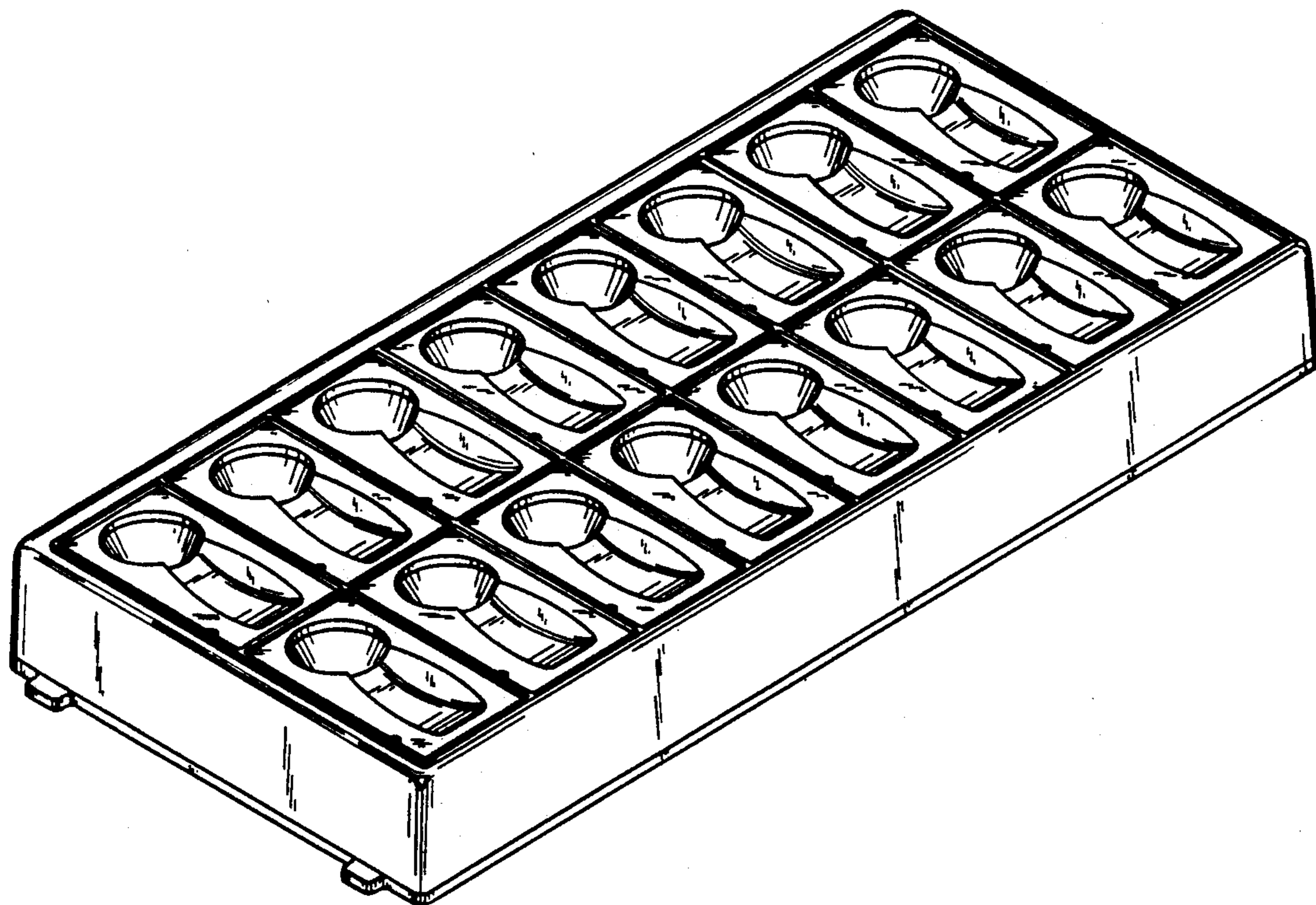
Primary Examiner—Stella Reid
Assistant Examiner—I. Simmons
Attorney, Agent, or Firm—Frank S. Ungemach; Priscilla E. Porembski

[57] **CLAIM**

The ornamental design for a disposable immunoassay reaction tray, as shown and described.

DESCRIPTION

FIG. 1 is a perspective view of a disposable immunoassay reaction tray showing our new design; FIG. 2 is a top plan view thereof; FIG. 3 is a front elevational view thereof, the rear elevational view being identical thereto; FIG. 4 is a bottom plan view thereof; FIG. 5 is a side elevational view thereof; and, FIG. 6 is a side elevational view thereof, opposite that shown in FIG. 5.



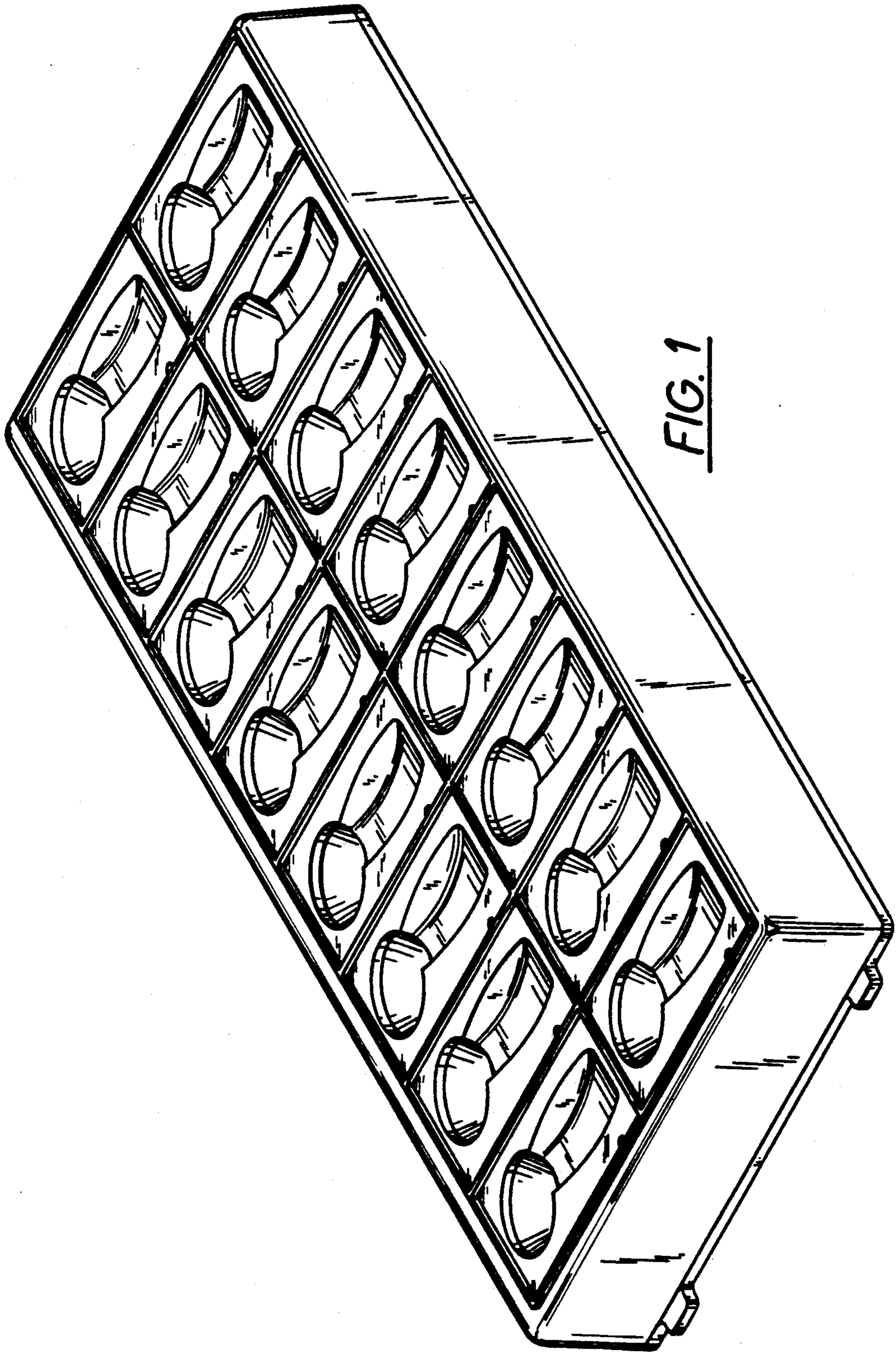


FIG. 1

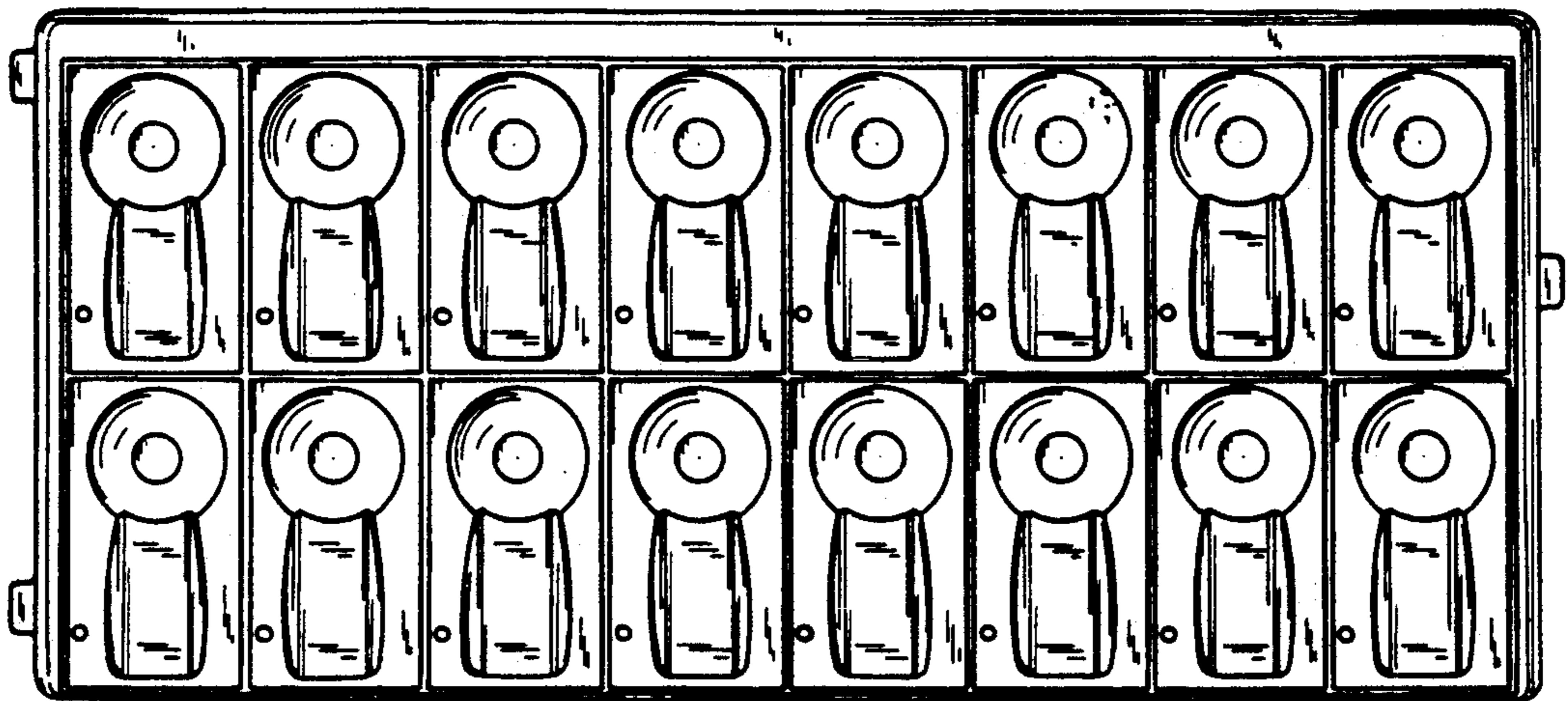


FIG. 2



FIG. 3

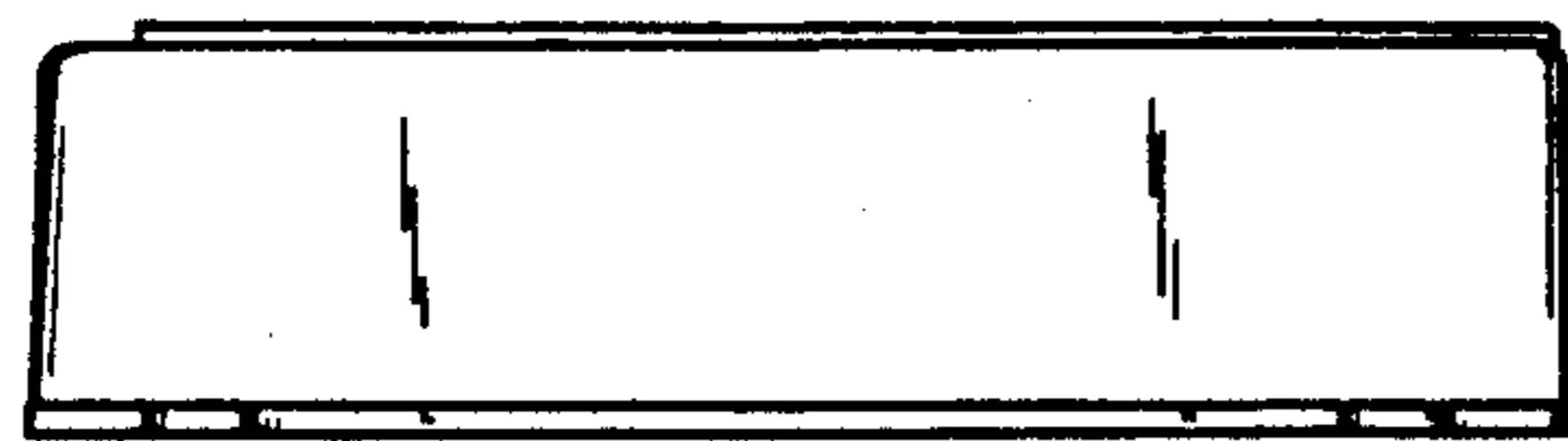


FIG. 5

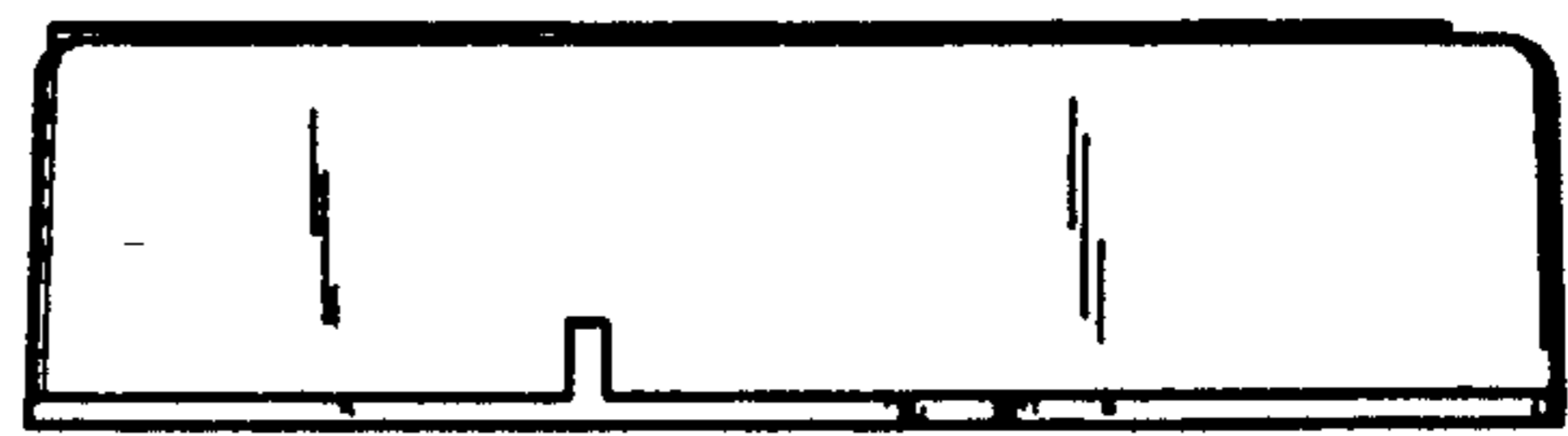


FIG. 6

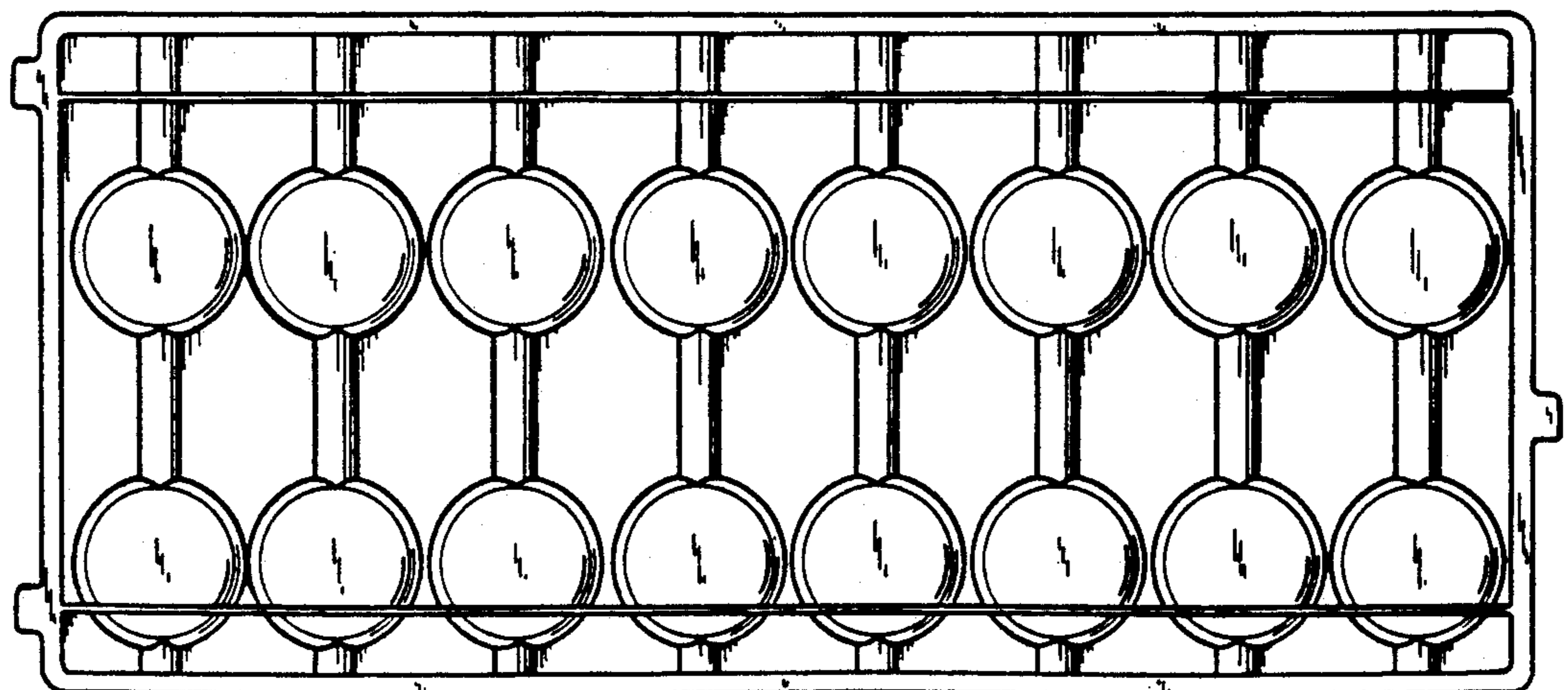


FIG. 4