



US00D332830S

# United States Patent [19]

[11] Patent Number: **Des. 332,830**

Gerlach

[45] Date of Patent: **\*\* Jan. 26, 1993**

[54] **COMBINED TOILET SEAT AND COVER**

[75] Inventor: **Thomas Gerlach, Altensteig, Fed. Rep. of Germany**

[73] Assignee: **Pressalit A/S, Arhus C, Denmark**

[\*\*] Term: **14 Years**

[21] Appl. No.: **567,545**

[22] Filed: **Aug. 15, 1990**

[30] **Foreign Application Priority Data**

Feb. 15, 1990 [DK] Denmark ..... 0186/1990

[52] U.S. Cl. .... **D23/311**

[58] Field of Search ..... **D23/309-312; 4/234-241**

[56] **References Cited**

**U.S. PATENT DOCUMENTS**

D. 237,969	12/1975	Firdmann	.....	D23/311
D. 240,038	5/1976	Colani	.....	D23/311
D. 254,684	4/1980	Boyter	.....	D23/311
D. 261,029	9/1981	Boyter	.....	D23/311
D. 262,486	12/1981	Boyter	.....	D23/311
D. 262,733	1/1982	Bjorn	.....	D23/311
D. 271,417	11/1983	Thygesen et al.	.....	D23/311
D. 278,846	5/1985	Harrison et al.	.....	D23/311
D. 287,998	1/1987	Holscher	.....	D23/311
D. 292,018	9/1987	Lepoix	.....	D23/311
D. 292,432	10/1987	Rasmussen	.....	D23/311
D. 318,525	7/1991	Bock	.....	D23/311
2,966,686	1/1961	Beneke, Jr.	.....	4/234

3,517,396	6/1970	Wert	.....	4/234
3,526,907	9/1970	Stairs	.....	4/236
3,557,393	1/1971	Waldon	.....	4/236
3,590,401	7/1971	Brown	.....	4/236
3,790,969	2/1974	Waldon	.....	4/236

*Primary Examiner*—James R. Largen  
*Attorney, Agent, or Firm*—Ladas & Parry

[57] **CLAIM**

The ornamental design for a combined toilet seat and cover, as shown and described.

**DESCRIPTION**

FIG. 1 is a perspective view taken from the top, rear and left side of a combined toilet seat and cover showing my new design;

FIG. 2 is a perspective view taken from the top, front and left side thereof showing the cover in an open position;

FIG. 3 is a perspective view taken from the top and front of the seat portion thereof;

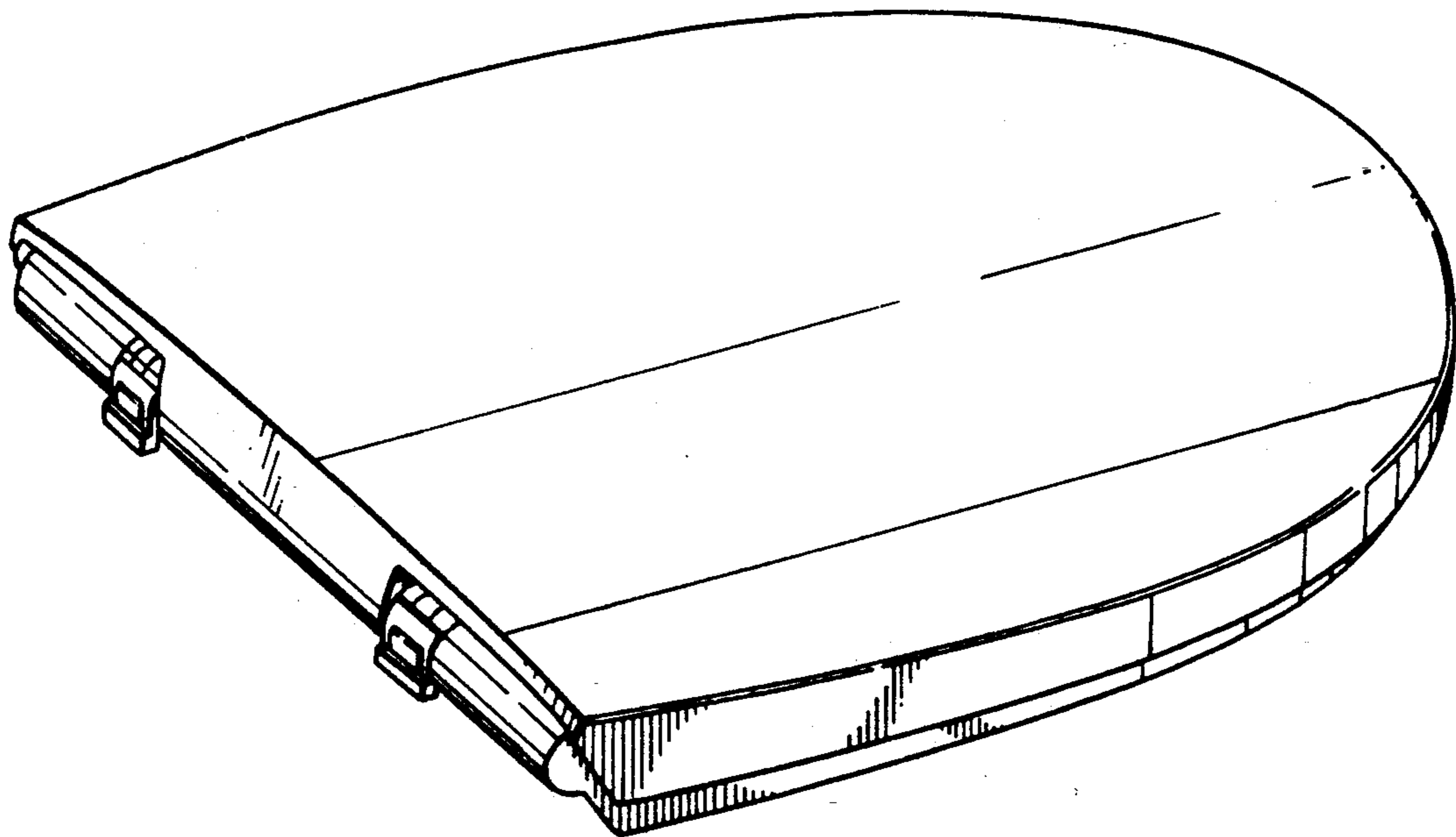
FIG. 4 is a perspective view taken from the bottom and front of FIG. 3;

FIG. 5 is a perspective view taken from the top, front and left side of FIG. 3;

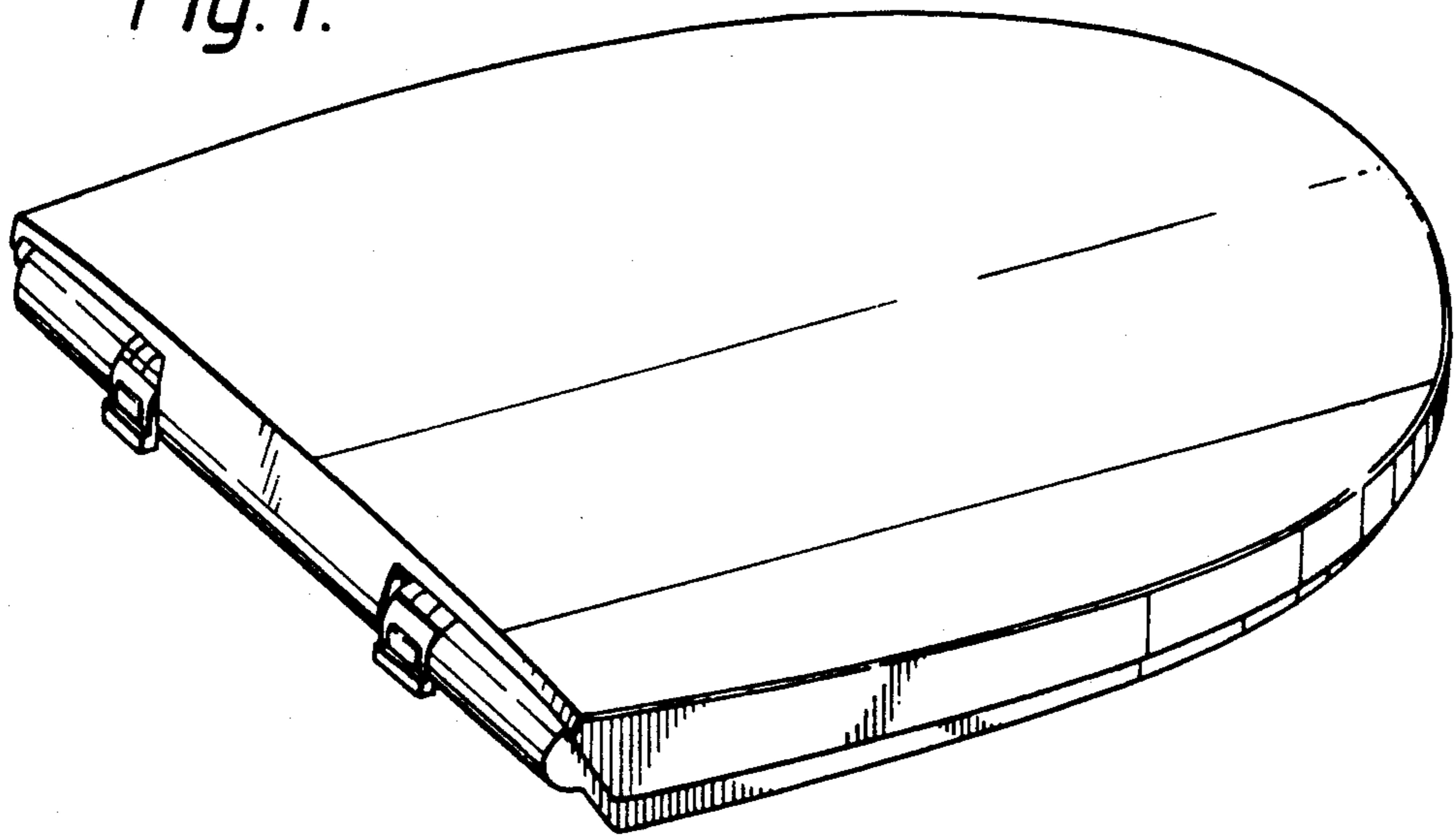
FIG. 6 is a perspective view taken from the front and bottom of the cover portion thereof;

FIG. 7 is a perspective view taken from the top and left side of FIG. 6; and,

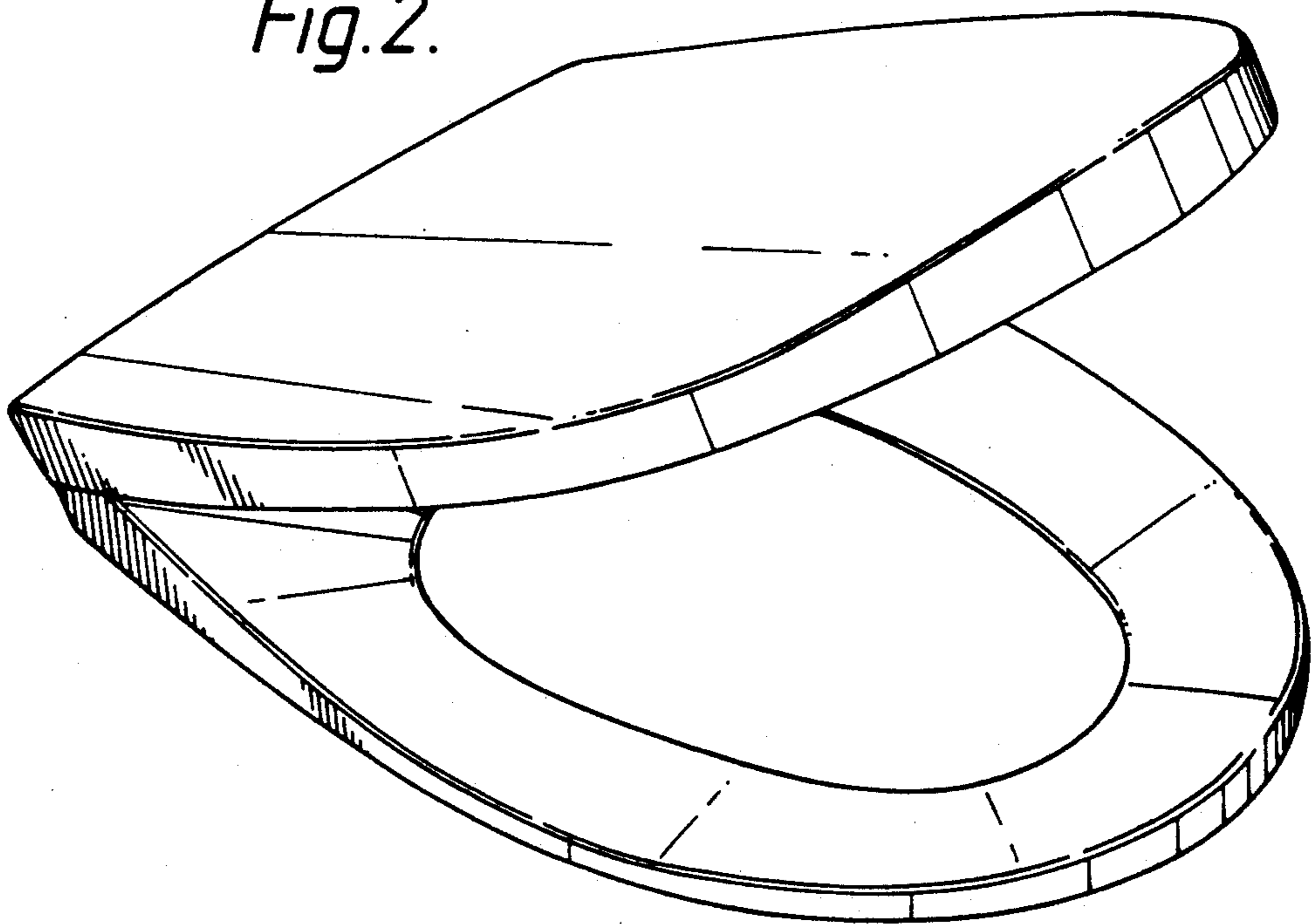
FIG. 8 is a perspective view taken from the top and front of FIG. 6.



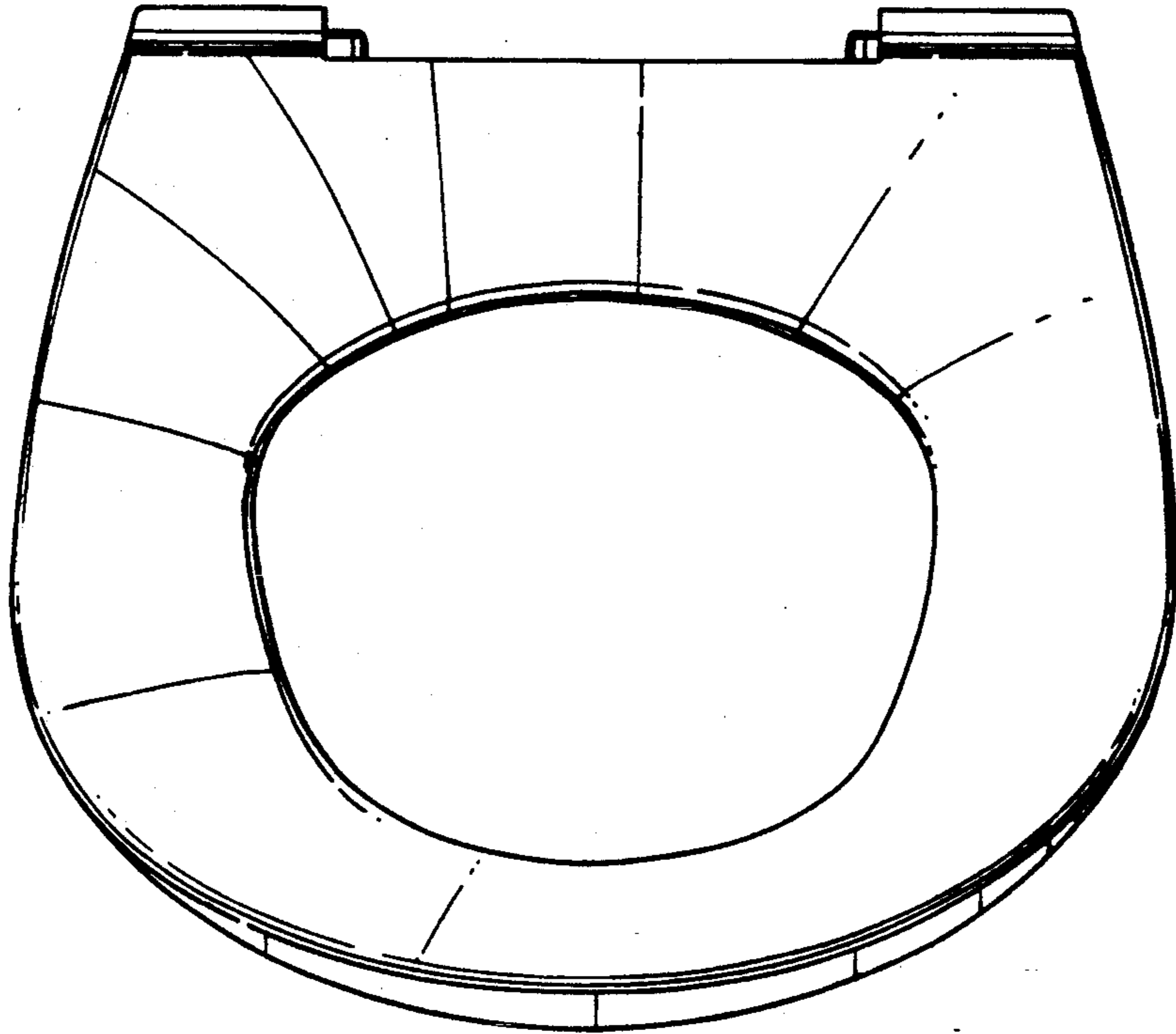
*Fig. 1.*



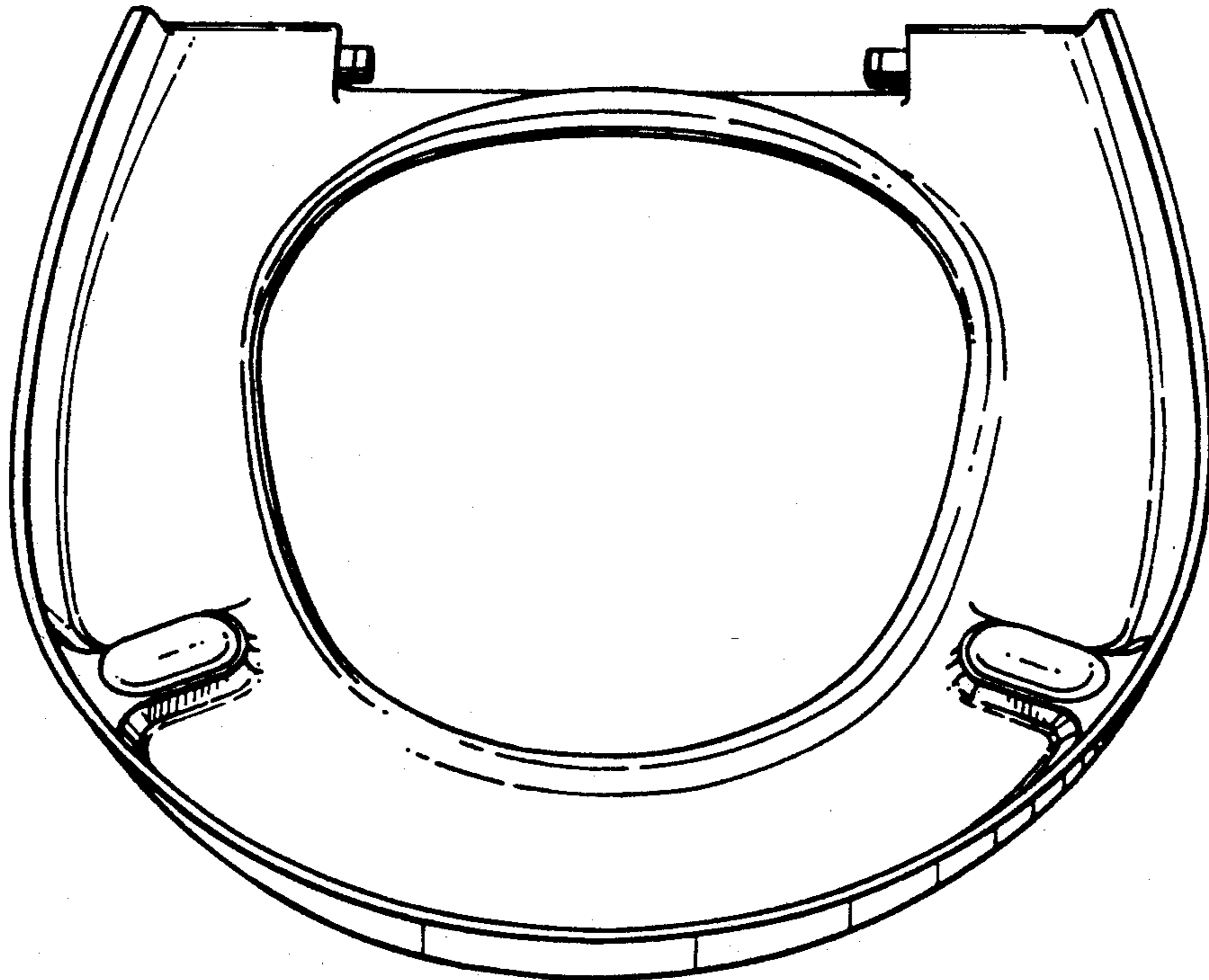
*Fig. 2.*



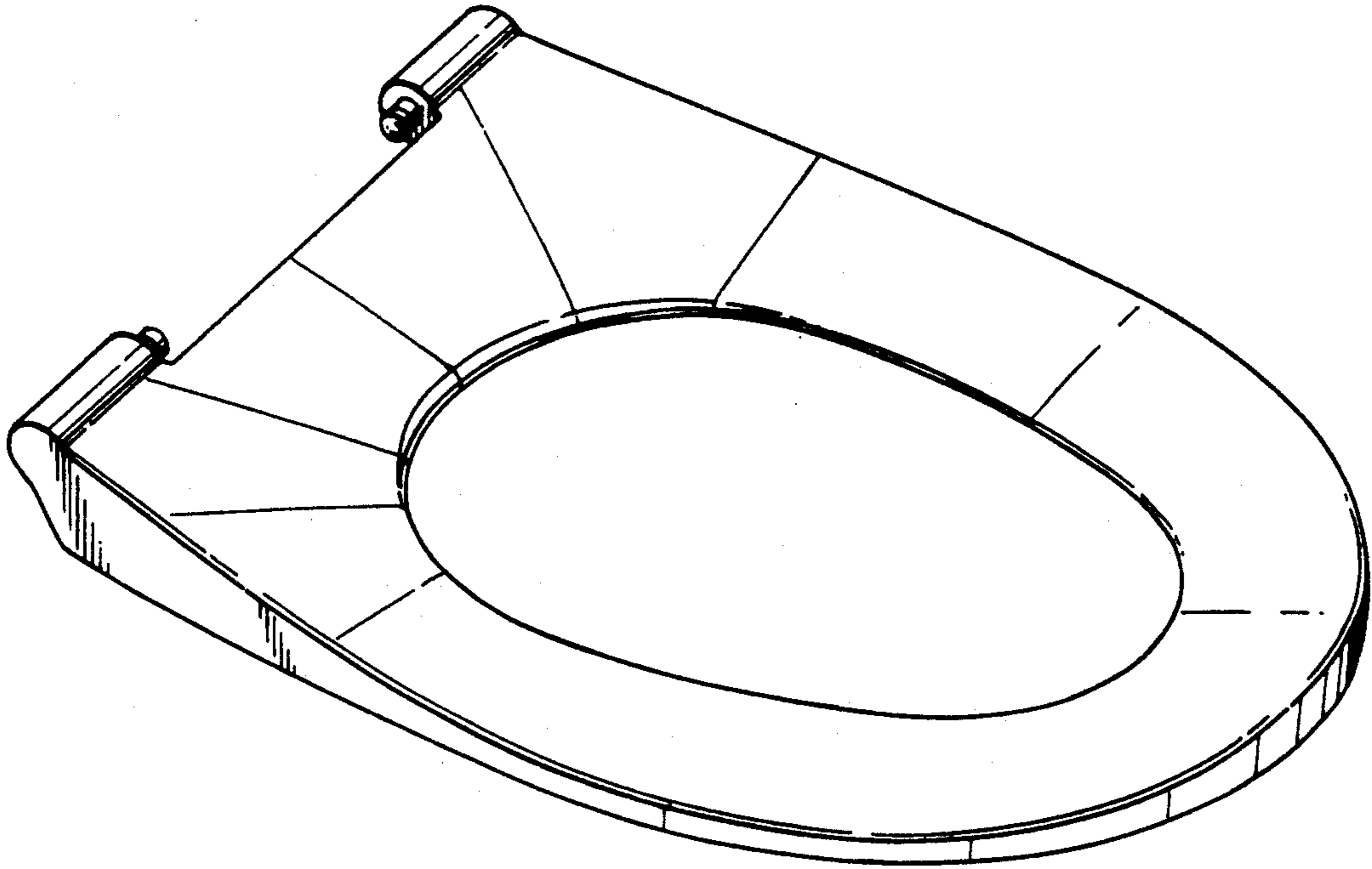
*Fig.3.*



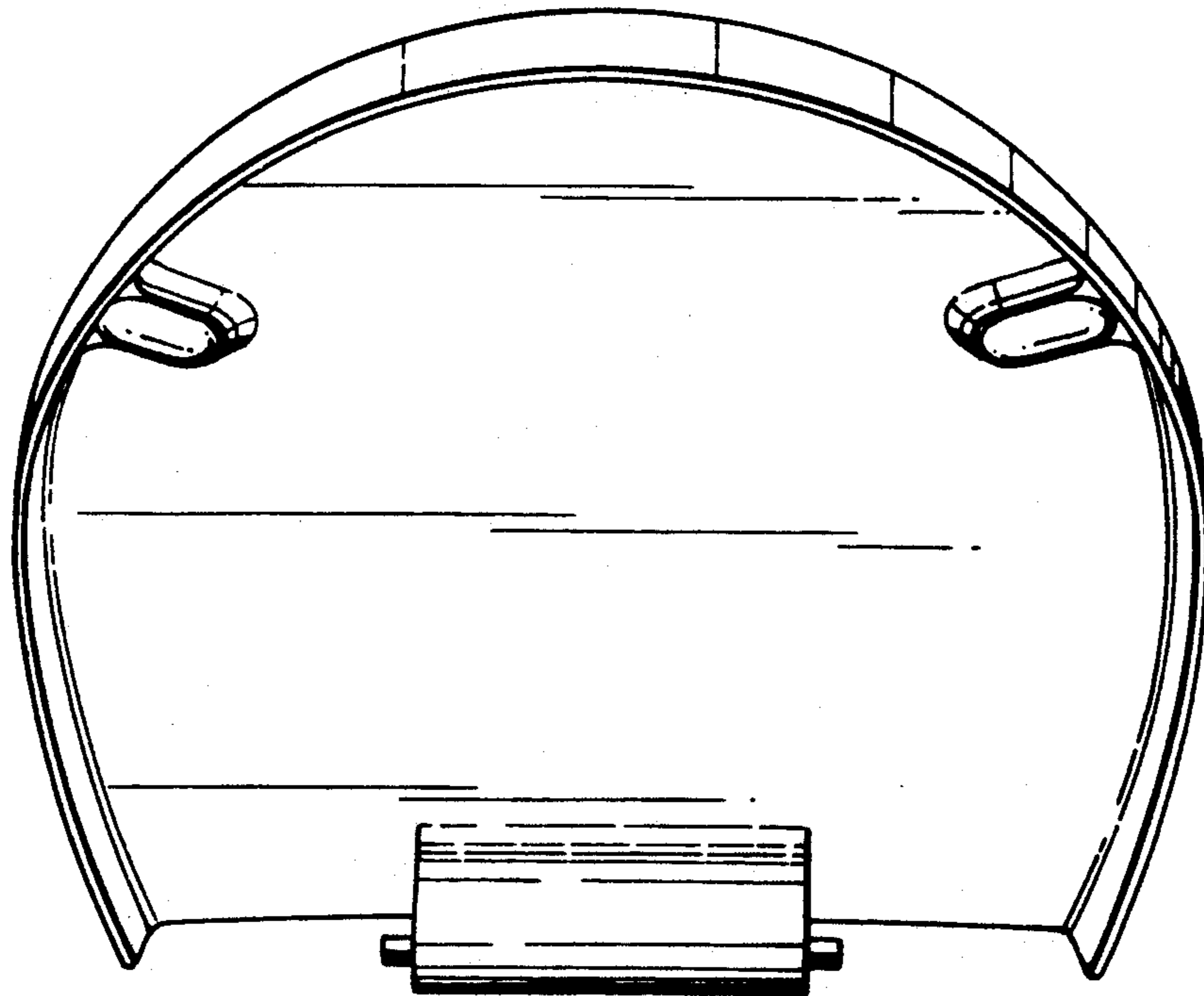
*Fig.4.*



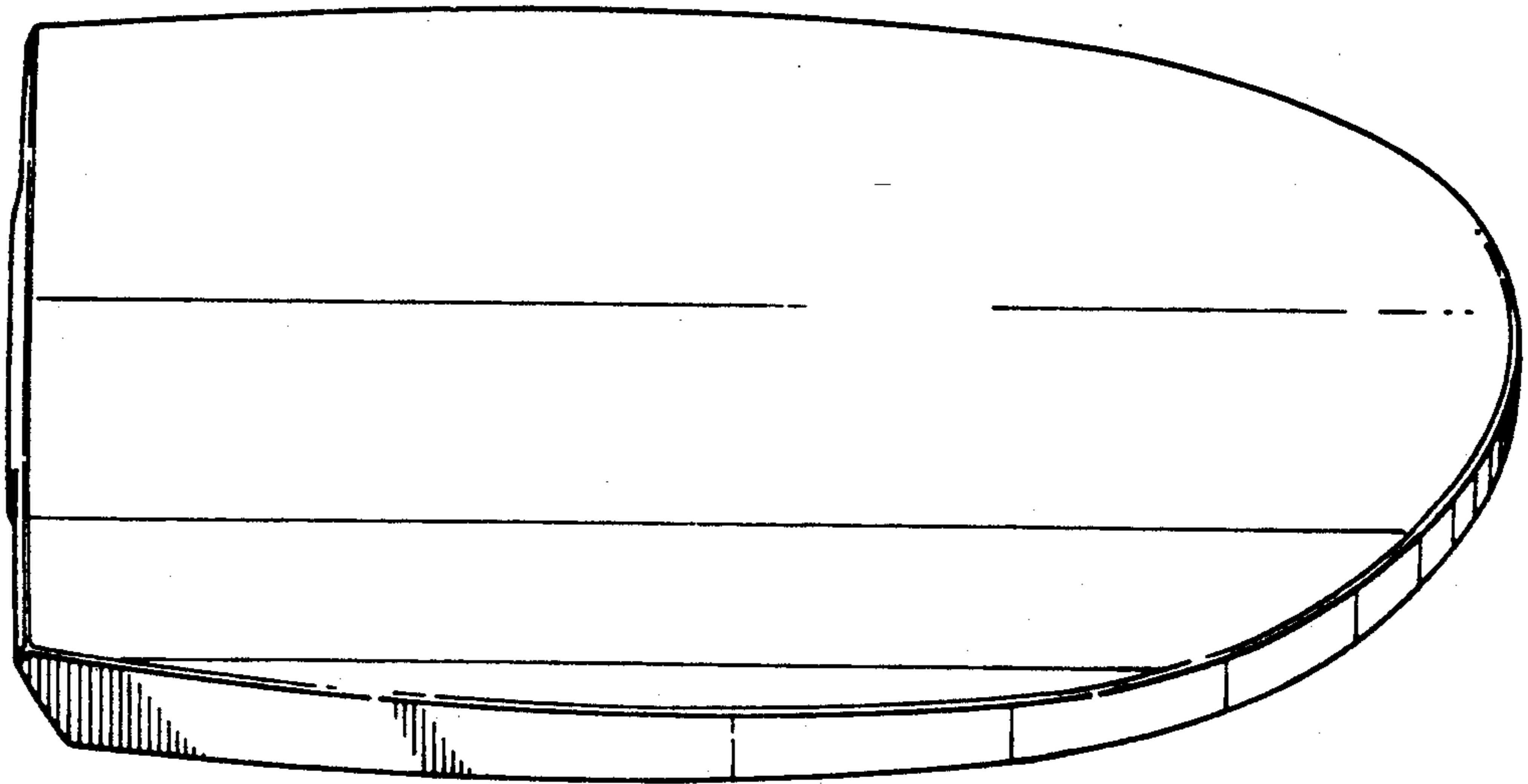
*Fig.5.*



*Fig.6.*



*Fig. 7.*



*Fig. 8.*

