



US00D332822S

United States Patent [19]

[11] Patent Number: **Des. 332,822**

Reid et al.

[45] Date of Patent: **** Jan. 26, 1993**

[54] VALVE

[75] Inventors: **Kevin A. Reid**, Asheville, N.C.; **Karl Reid**, Chicago, Ill.; **Russell J. Cameron**, Rochester, Mich.

[73] Assignee: **Ross Operating Valve Company**, Troy, Mich.

[**] Term: **14 Years**

[21] Appl. No.: **550,664**

[22] Filed: **Jul. 10, 1990**

[52] U.S. Cl. **D23/233**

[58] Field of Search **D23/233-237, D23/244-249; 251/319, 326, 329**

D. 285,246	8/1986	Fetty .	
D. 301,915	6/1989	Fisher et al.	D23/233
1,121,307	12/1914	Thebaud .	
1,720,938	7/1929	Veenschoten	251/326
2,828,146	3/1958	Abbey .	
2,834,613	5/1958	Snyder .	
3,212,753	10/1965	Miletto	251/329 X
4,036,469	7/1977	Robinson .	

Primary Examiner—James R. Largen
Attorney, Agent, or Firm—Harness, Dickey & Pierce

[57] CLAIM

The ornamental design for a valve, as shown and described.

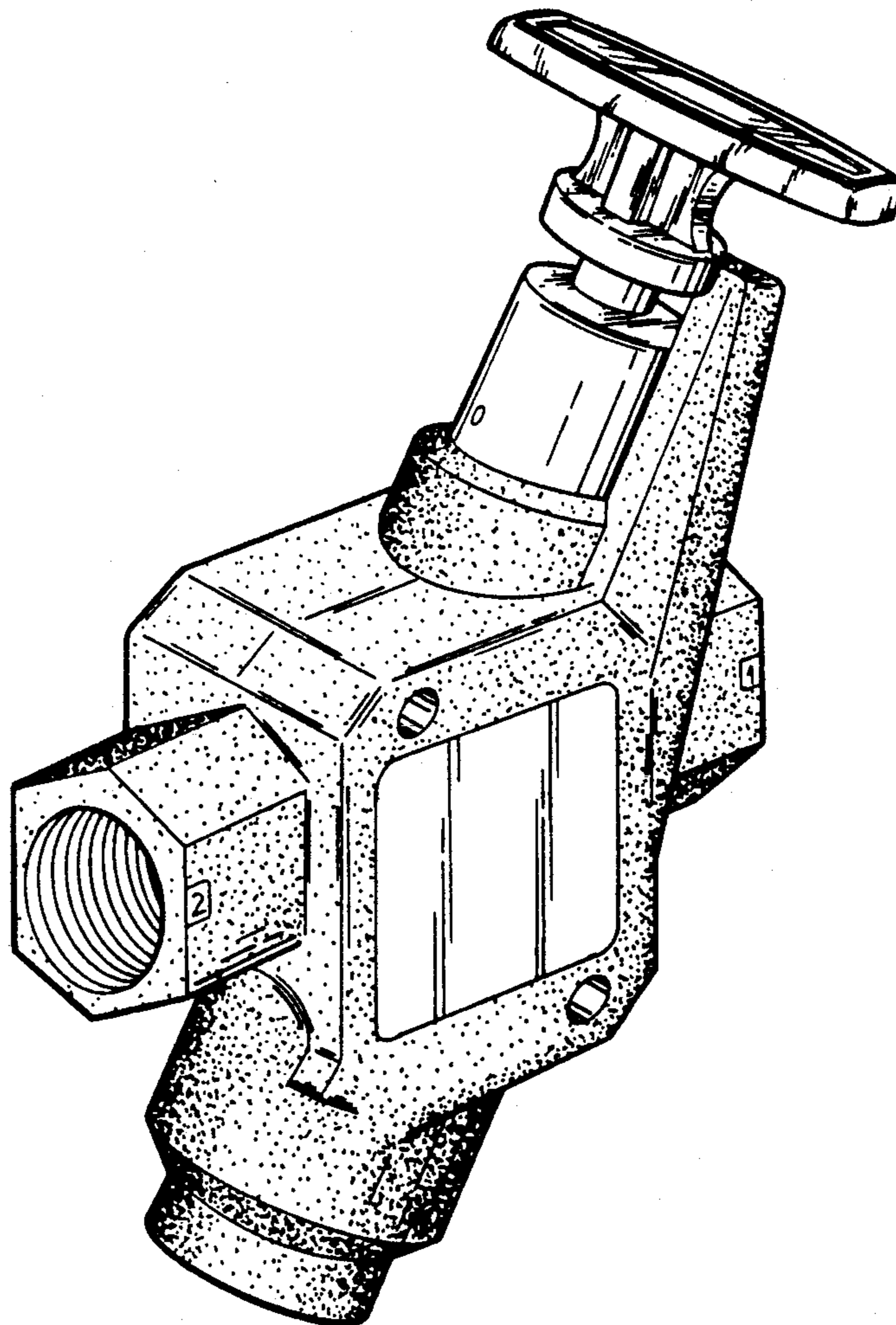
DESCRIPTION

FIG. 1 is a perspective view taken from the top, front and left side of a valve showing our new design; FIG. 2 is a front elevational view thereof, the rear being a mirror image of the front; FIG. 3 is a top plan view thereof; FIG. 4 is a bottom plan view thereof; FIG. 5 is a left side elevational view thereof; and, FIG. 6 is a right side elevational view thereof.

[56] References Cited

U.S. PATENT DOCUMENTS

D. 54,869	4/1920	Sidel .
D. 176,261	12/1955	Hughes .
D. 227,883	7/1973	Huthsing, Jr. et al. .
D. 250,658	12/1978	Fetty .
D. 284,989	8/1986	Fetty .



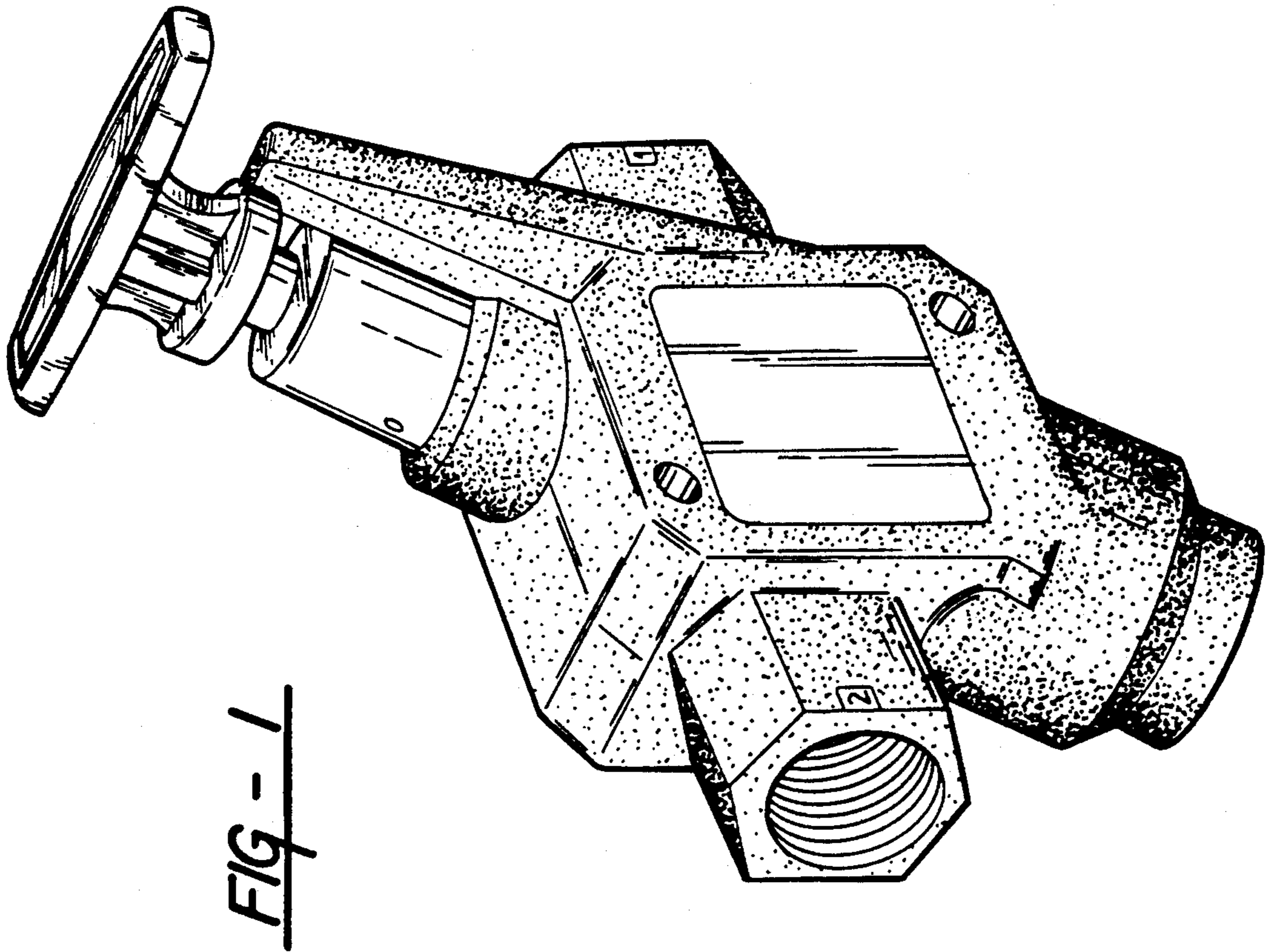
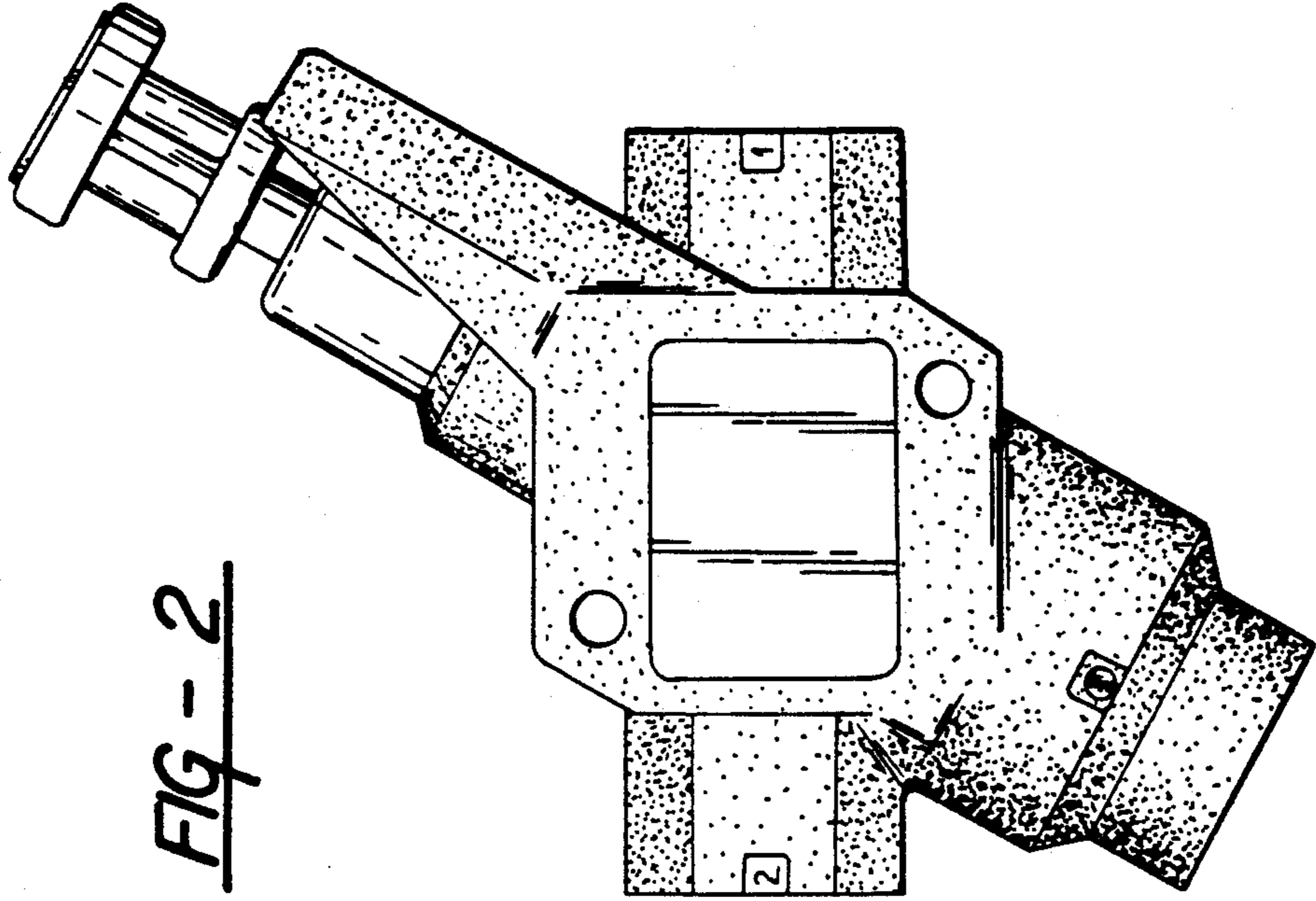


FIG - 6

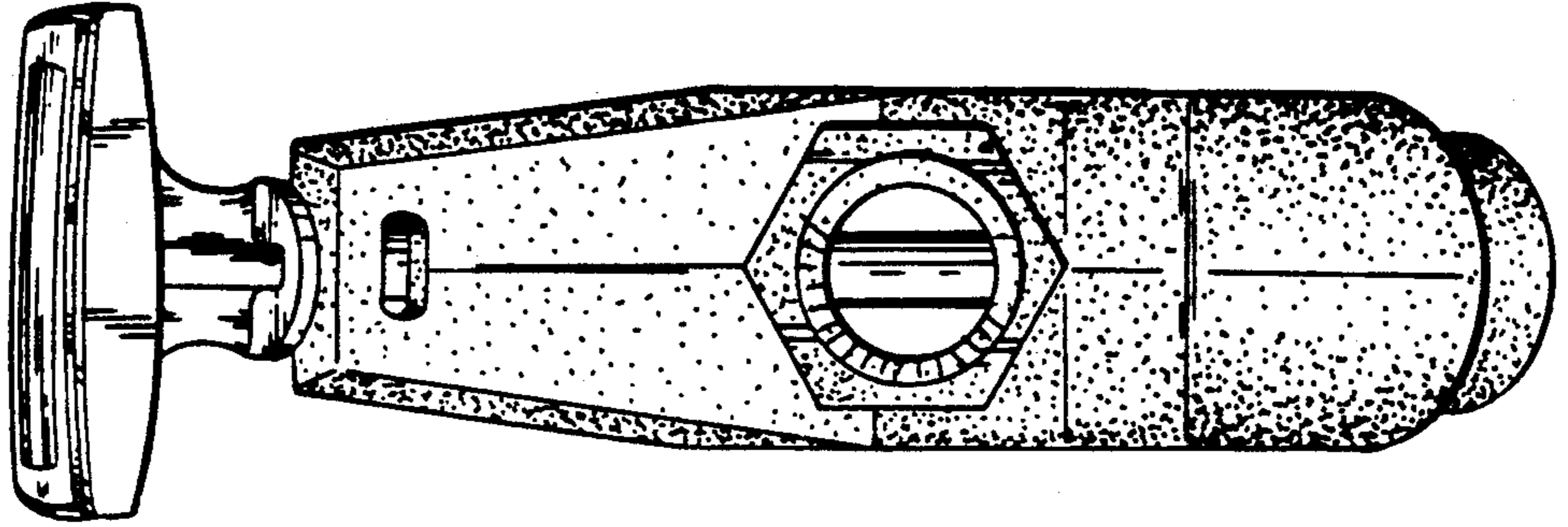


FIG - 5

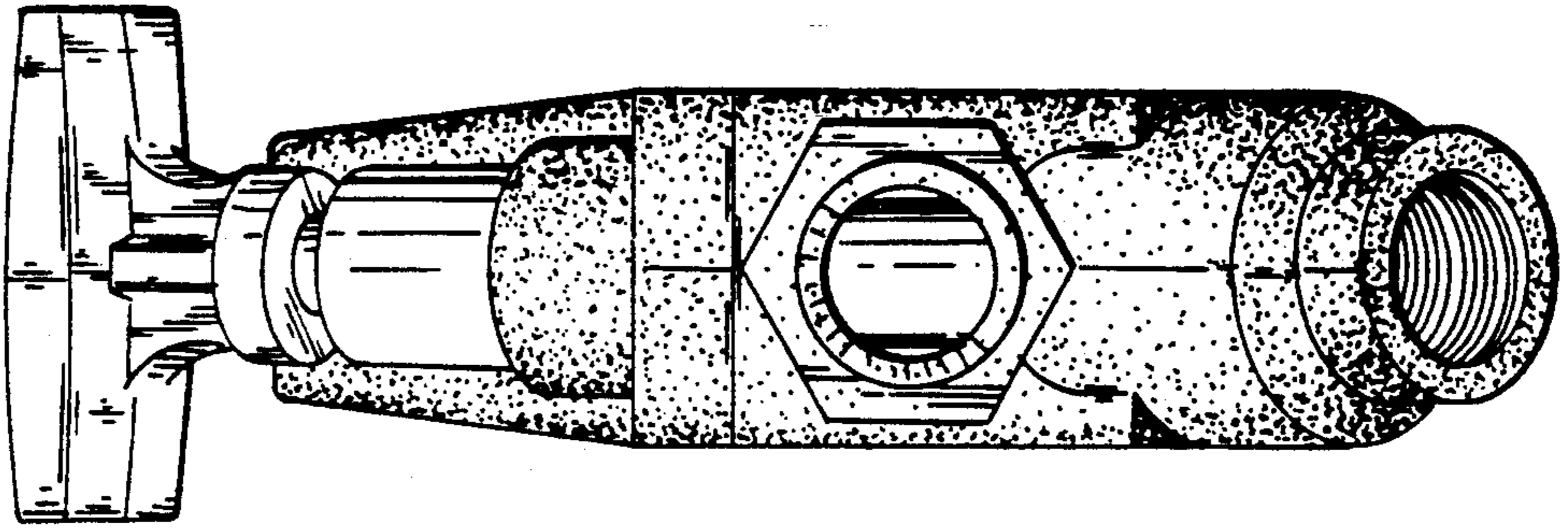


FIG - 3

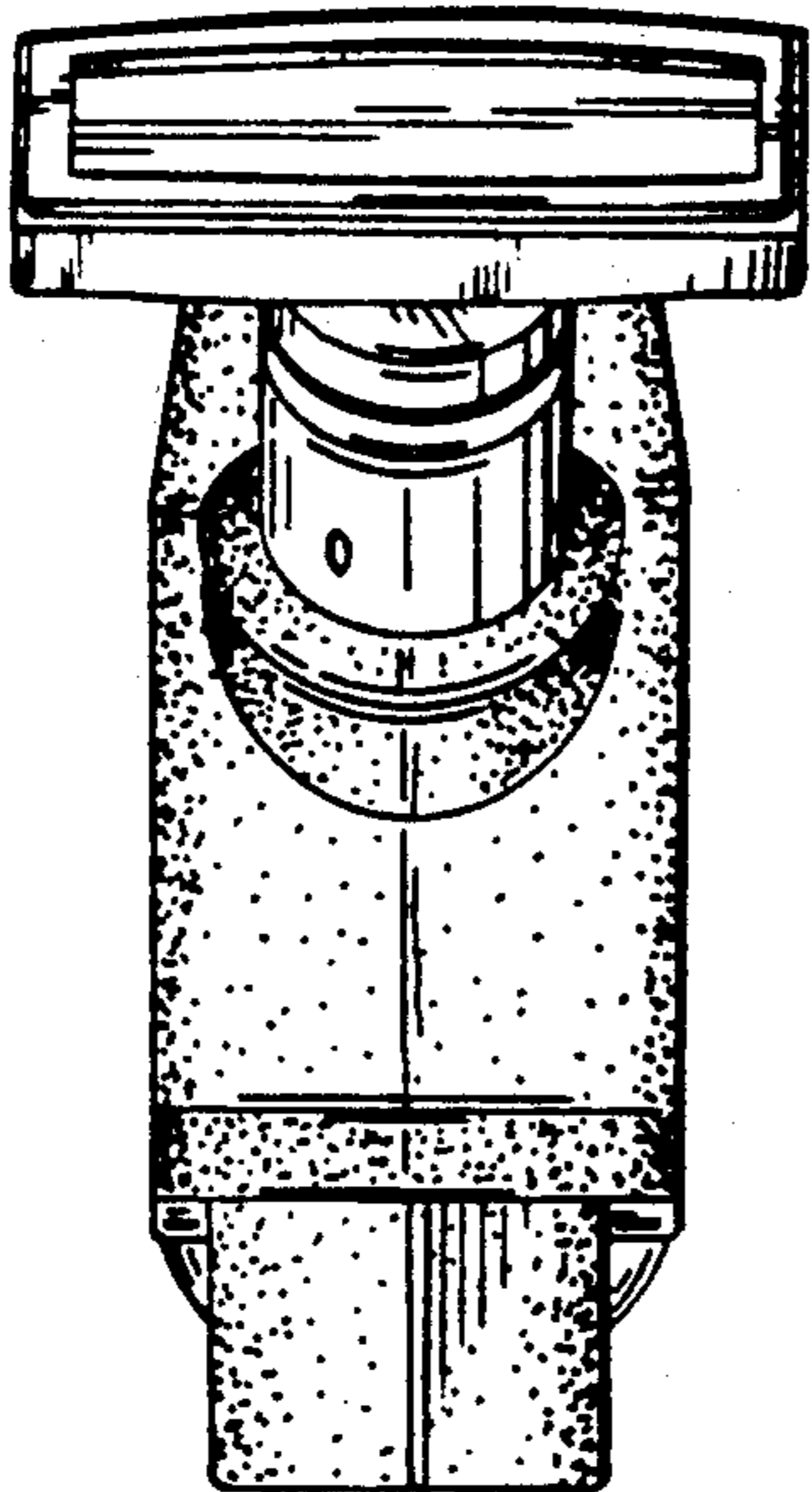


FIG - 4

