



US00D332817S

# United States Patent [19]

Mullen

[11] Patent Number: **Des. 332,817**

[45] Date of Patent: **\*\* Jan. 26, 1993**

- [54] **GOLF TRAINING AID**
- [75] Inventor: **J. Robert Mullen, Wichita, Kans.**
- [73] Assignee: **J. Robert Mullen, Steamboat Springs, Colo.**
- [\*\*] Term: **14 Years**
- [21] Appl. No.: **592,078**
- [22] Filed: **Oct. 3, 1990**
- [52] U.S. Cl. .... **D21/234**
- [58] Field of Search ..... **D21/234; 273/192, 191 R**

- 1,545,648 7/1925 Fletcher ..... D21/234
- 2,303,736 12/1942 Hall ..... 273/192
- 2,869,875 1/1959 Steenson ..... 273/192
- 4,921,254 5/1990 Buckley et al. .... 273/183 B

*Primary Examiner*—Melvin B. Feifer

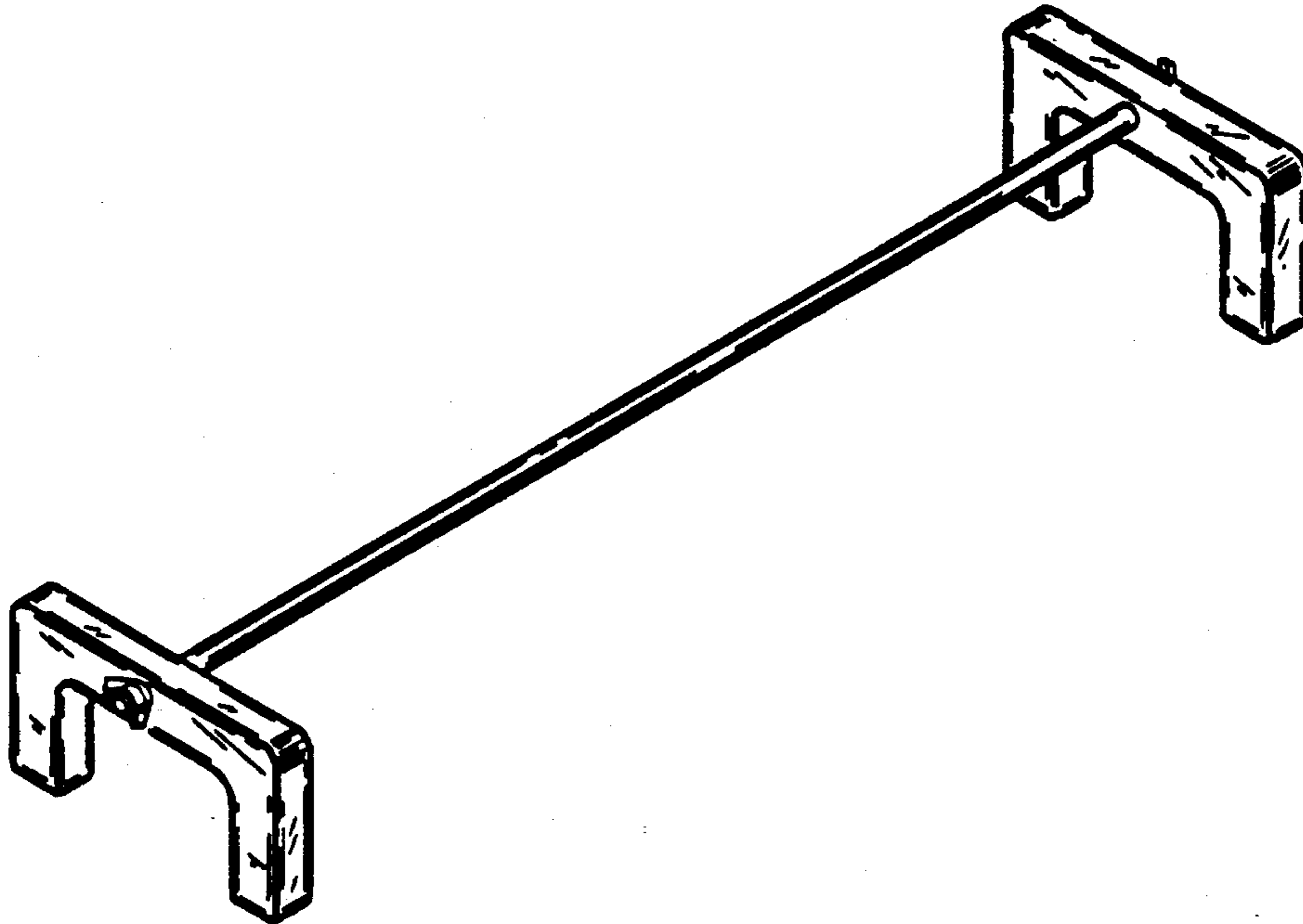
[57] **CLAIM**

The ornamental design for a golf training aid, as shown and described.

**DESCRIPTION**

FIG. 1 is a perspective view from the right side of the golf training aid showing my new design;  
 FIG. 2 is a top view;  
 FIG. 3 is a bottom view; and,  
 FIG. 4 is an end view with the opposite end being a mirror image.

- [56] **References Cited**
- U.S. PATENT DOCUMENTS**
- D. 211,376 6/1968 Chidester ..... D21/234
- D. 325,419 4/1992 Mulloy ..... D21/234



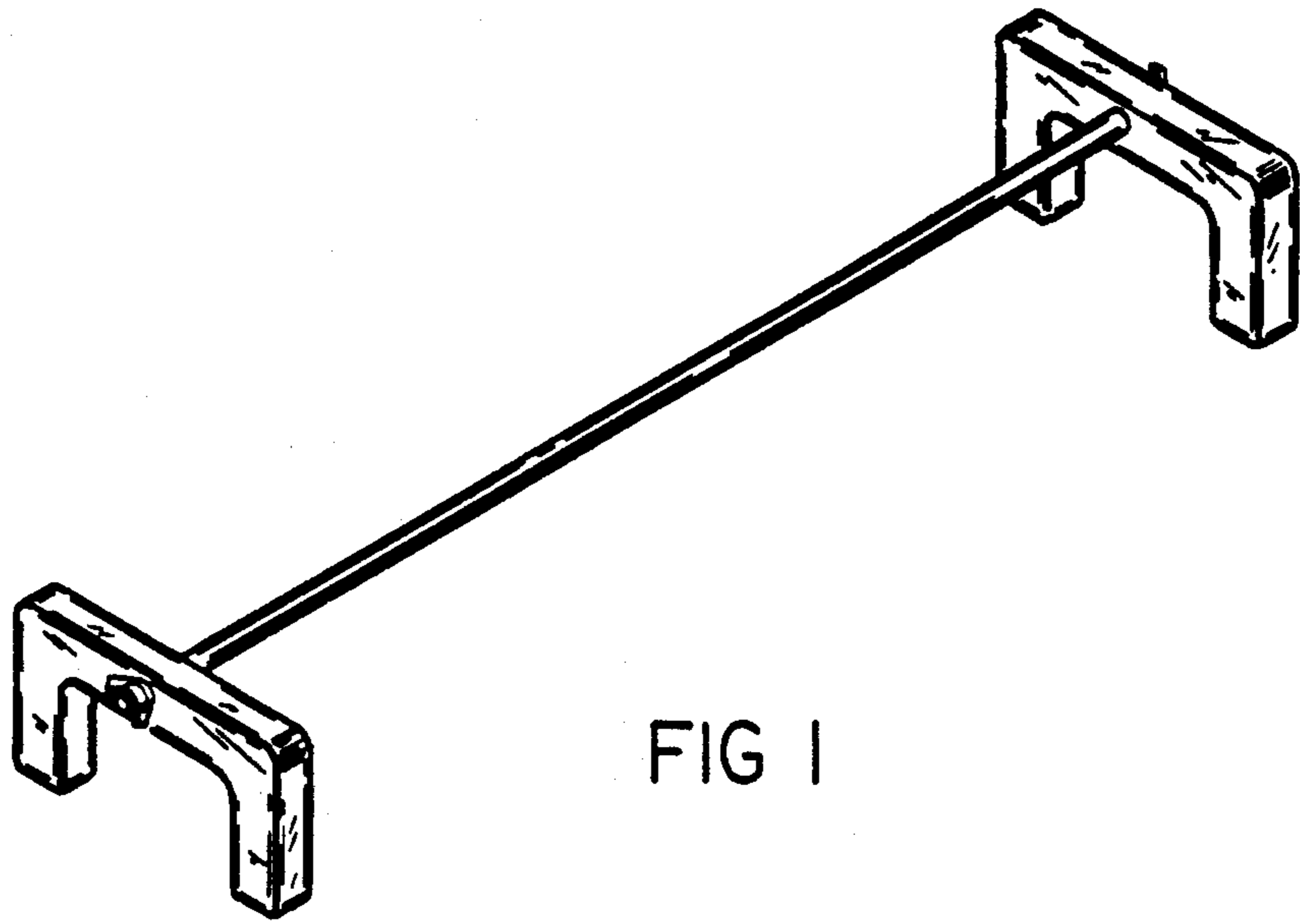


FIG 1

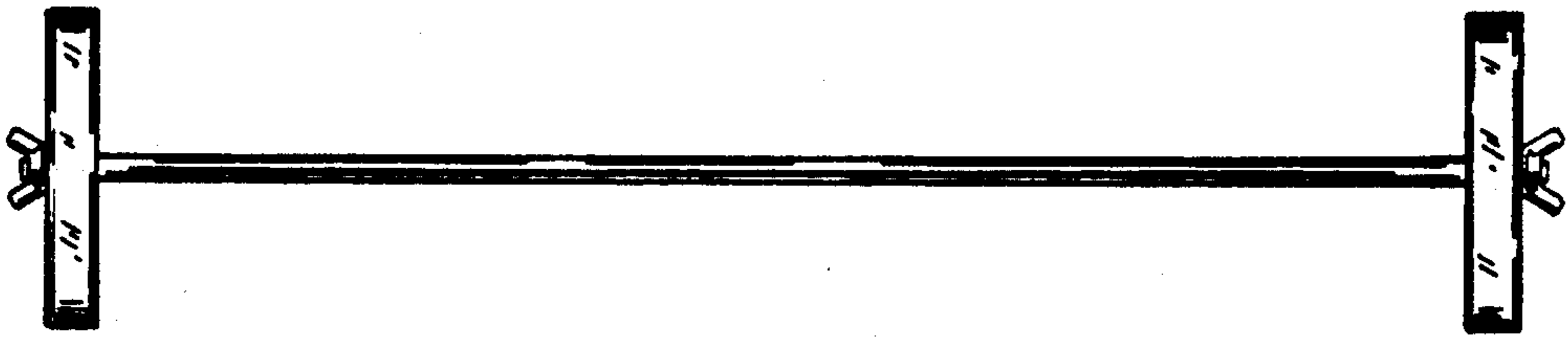


FIG 2



FIG 3



FIG 4