



US00D332810S

United States Patent [19]

[11] Patent Number: **Des. 332,810**

Fujieda et al.

[45] Date of Patent: **** Jan. 26, 1993**

[54] CAMERA TOY

[75] Inventors: **Takayuki Fujieda; Masami Shiraishi,**
both of Tokyo, Japan

[73] Assignee: **Combi Corporation, Tokyo, Japan**

[**] Term: **14 Years**

[21] Appl. No.: **774,292**

[22] Filed: **Oct. 10, 1991**

[30] **Foreign Application Priority Data**

Apr. 10, 1991 [JP] Japan 3-10393

[52] U.S. Cl. **D21/110; D16/201**

[58] Field of Search **D21/109, 110, 111, 112,**
D21/113; D14/163, 165, 164, 168, 142, 143,
149, 118, 125, 126, 225, 228; D10/8, 19, 28;
D16/202; D20/3, 4, 5, 7; 446/8, 141, 142, 144,
404, 408; 368/45, 316, 317

[56] **References Cited**

U.S. PATENT DOCUMENTS

D. 214,328 6/1969 Crawford D21/110
D. 232,457 8/1974 Henderson D21/110
D. 245,445 8/1977 Moustakas D21/110

D. 269,019 5/1983 Appel D21/110
D. 294,606 3/1988 Ryland D21/110
D. 310,855 9/1990 Shell-Kelly D21/110
D. 320,016 9/1991 To Yung-Pahg D14/163
2,939,244 6/1960 Grimes 446/408

OTHER PUBLICATIONS

"We're Cookin'" Fisher Price Catalog '87 p. 63.

Primary Examiner—Bernard Ansher

Assistant Examiner—R. Barkai

Attorney, Agent, or Firm—Sughrue, Mion, Zinn,
Macpeak & Seas

[57] **CLAIM**

The ornamental design for a camera toy, as shown.

DESCRIPTION

FIG. 1 is a front, top and right side perspective view of a camera toy showing our new design; FIG. 2 is a front elevational view thereof; FIG. 3 is a rear elevational view thereof; FIG. 4 is a left side elevational view thereof; FIG. 5 is a right side elevational view thereof; FIG. 6 is a top plan view thereof; and, FIG. 7 is a bottom plan view thereof.

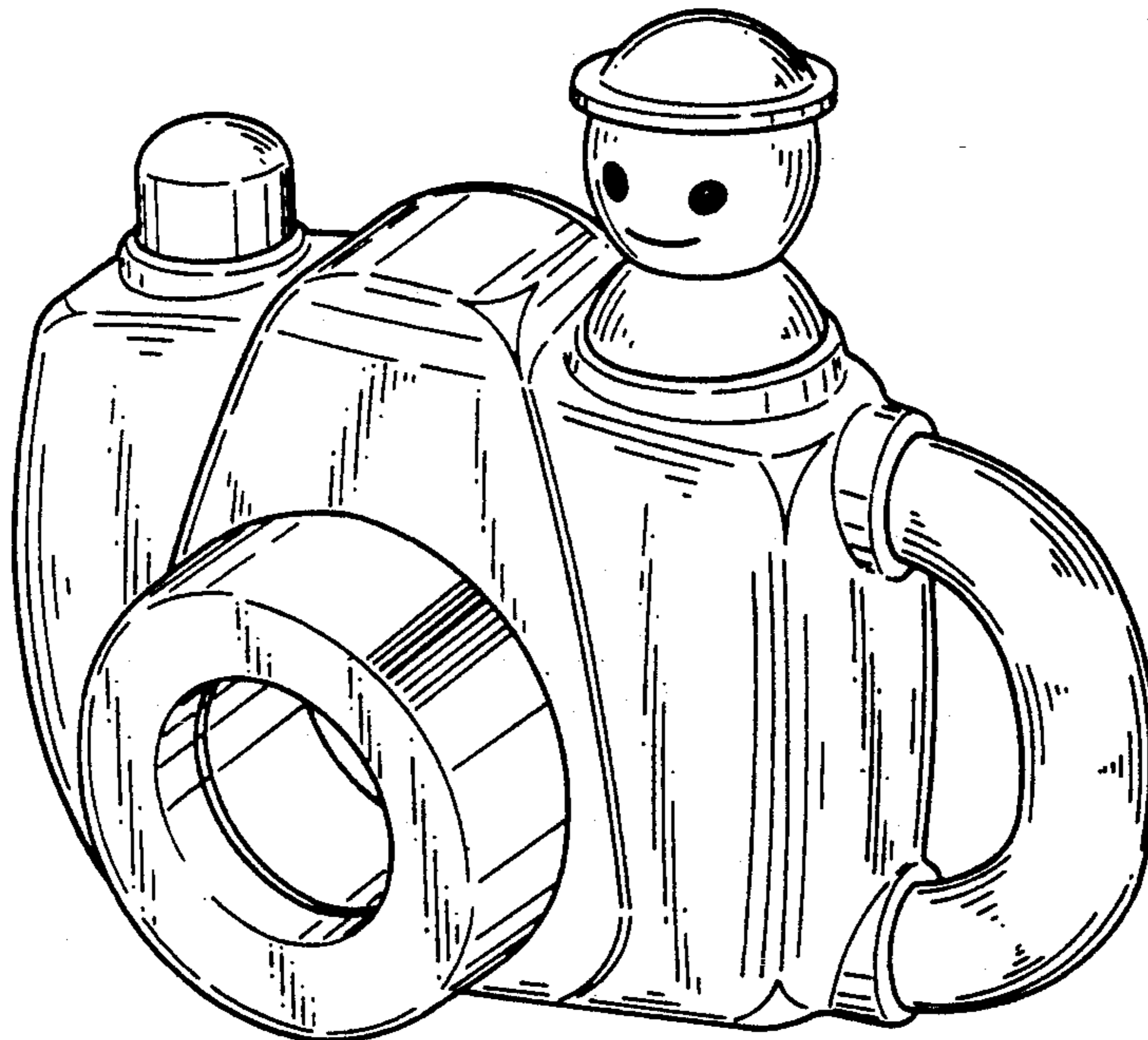


Fig. 1

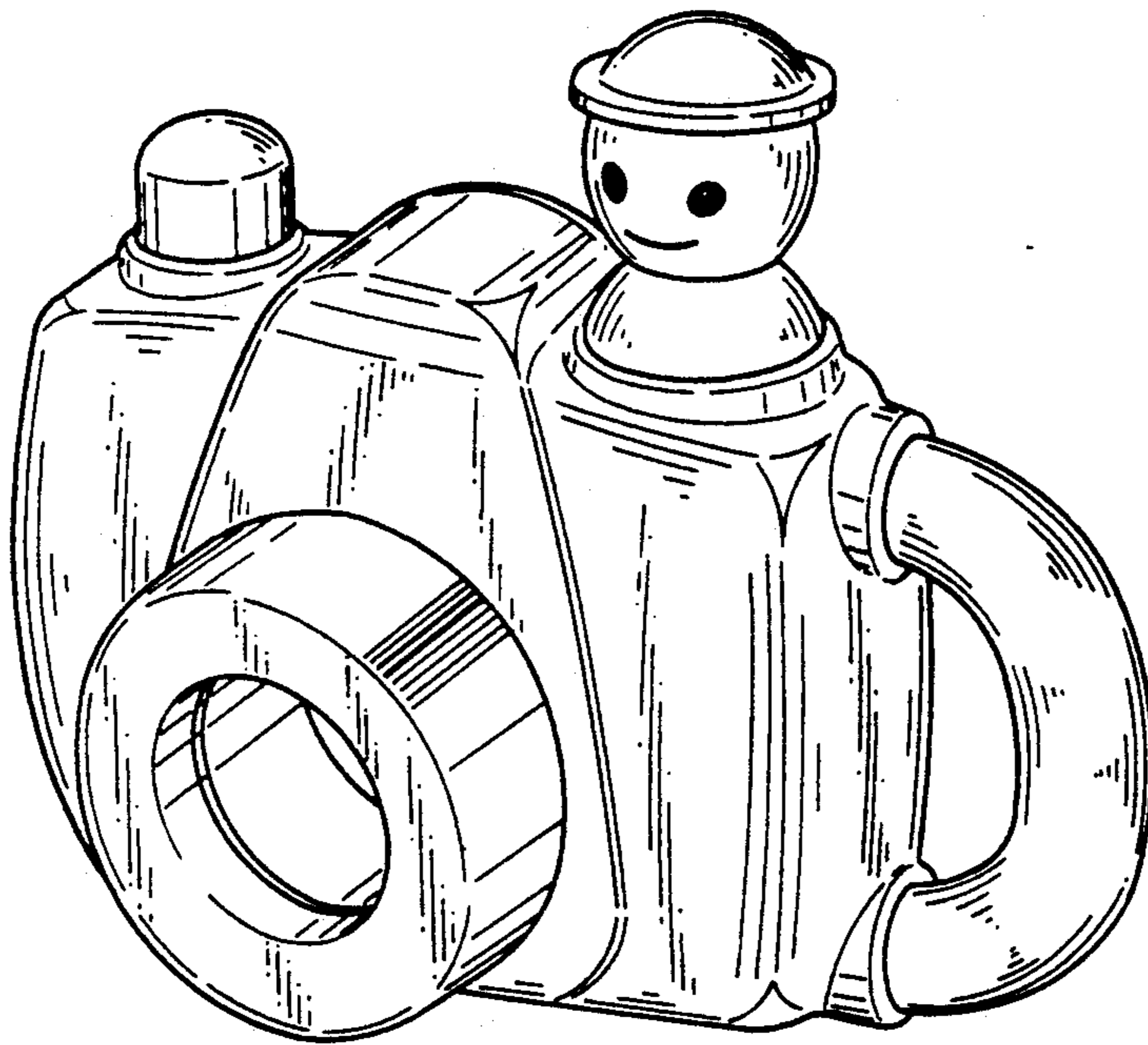


Fig. 2

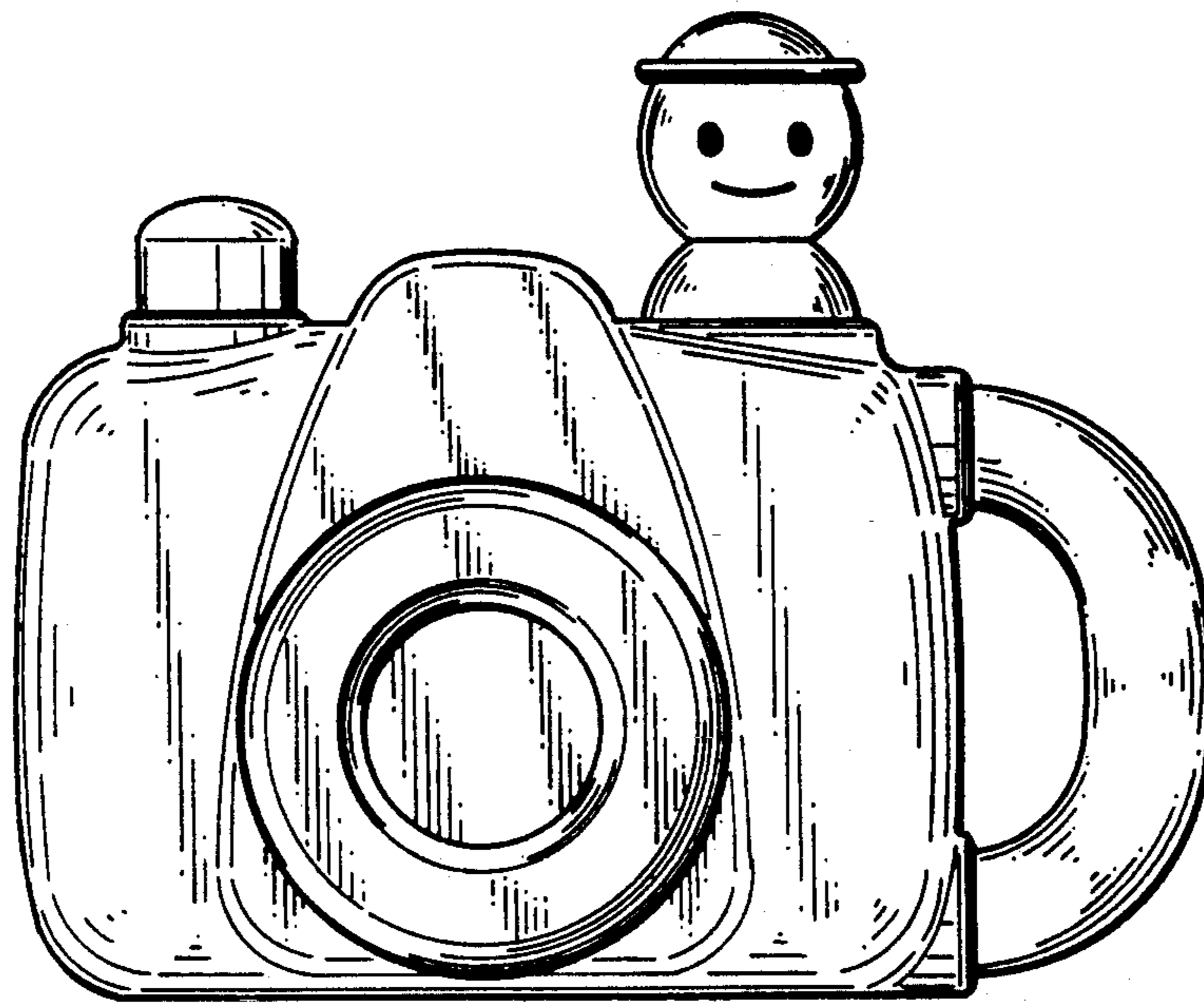


Fig. 3

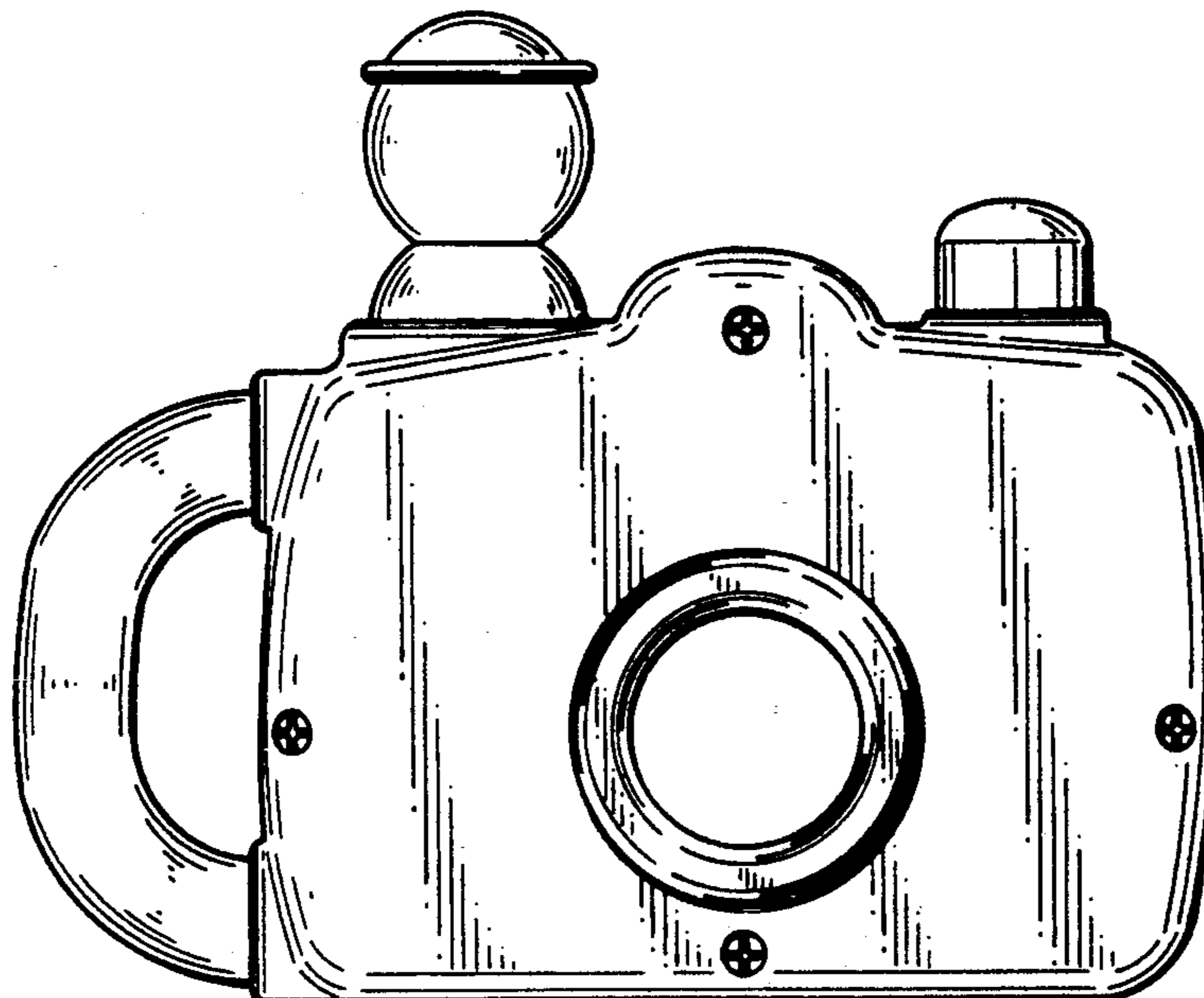


Fig. 4

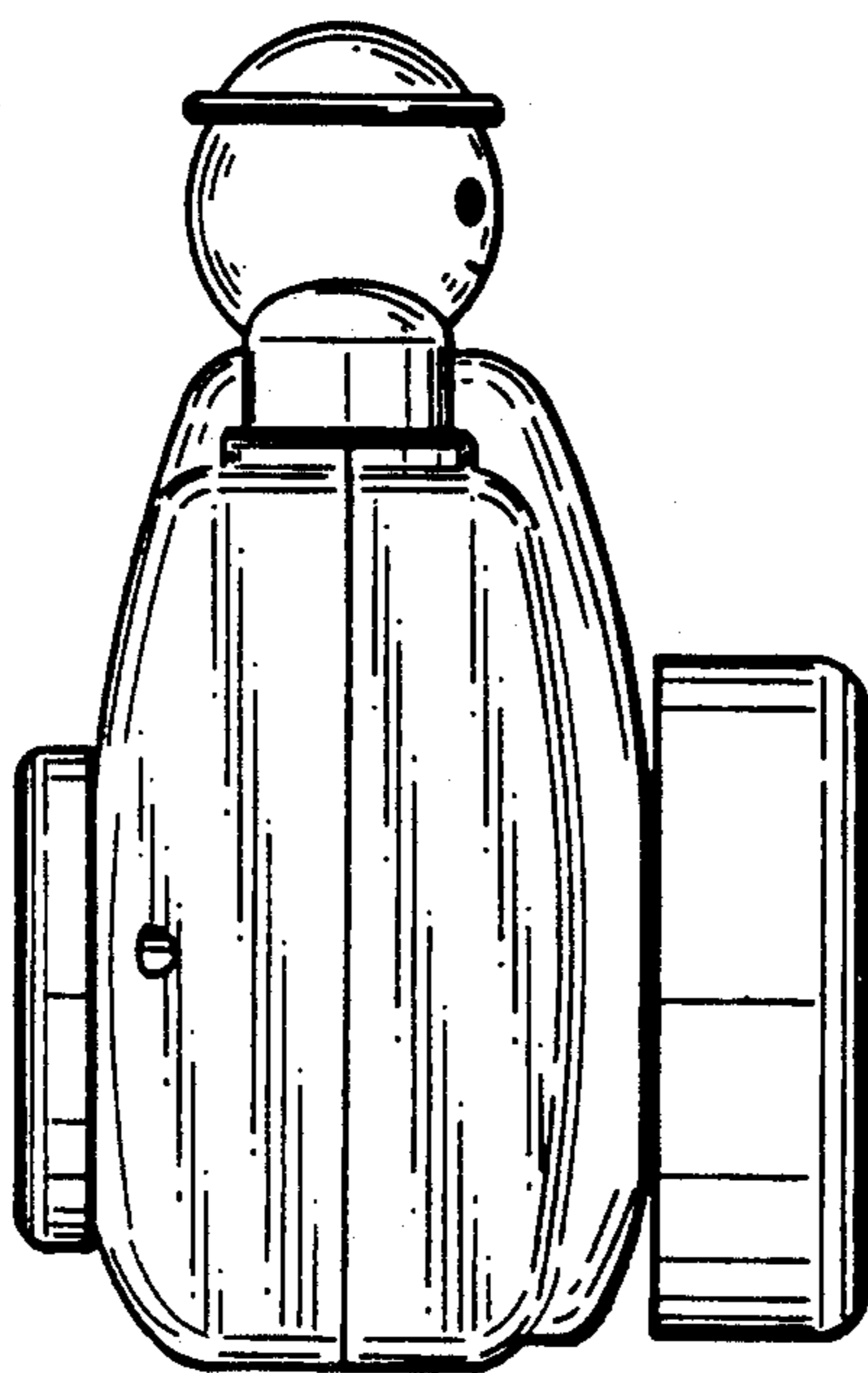


Fig. 5

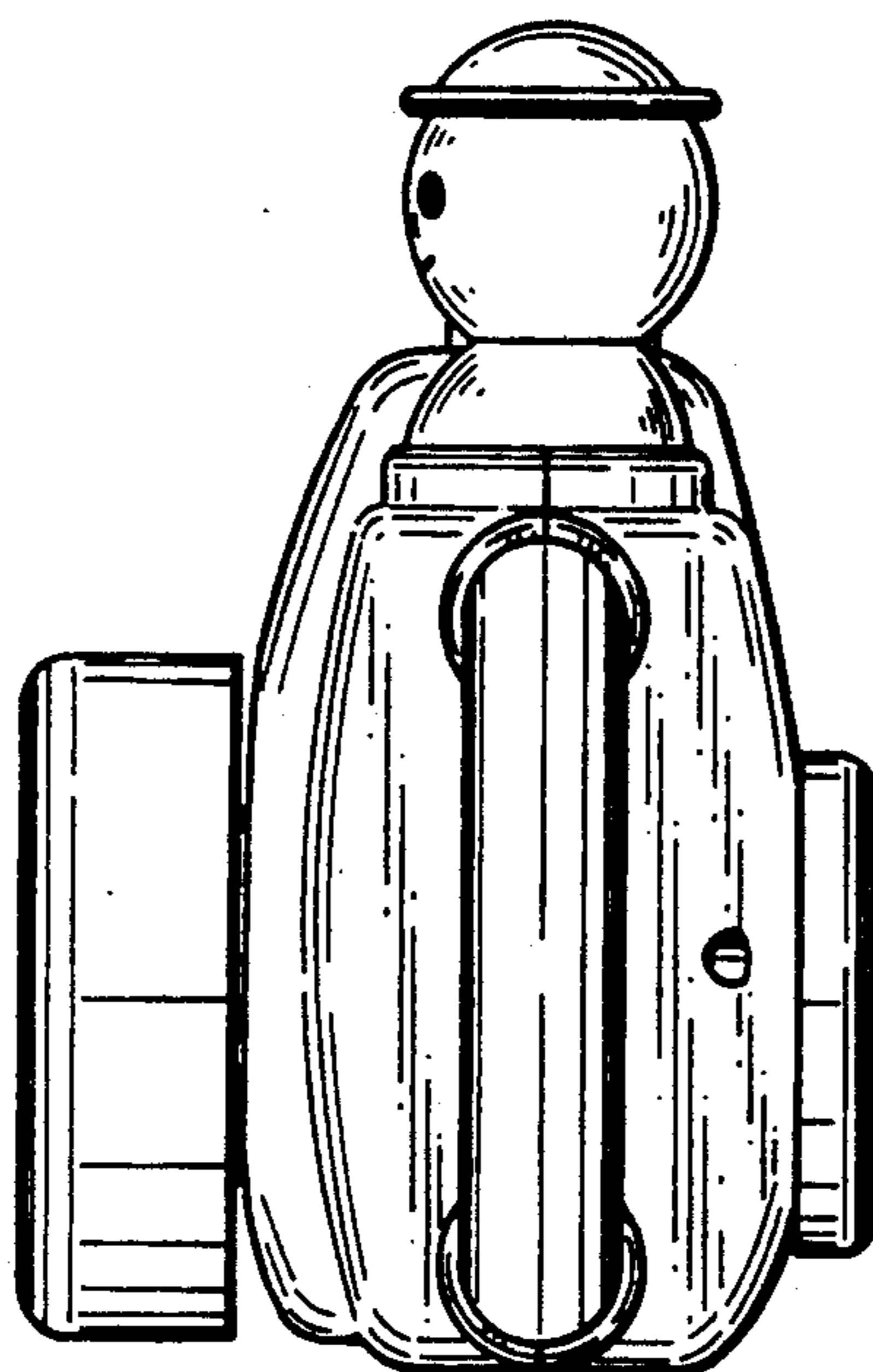


Fig. 6

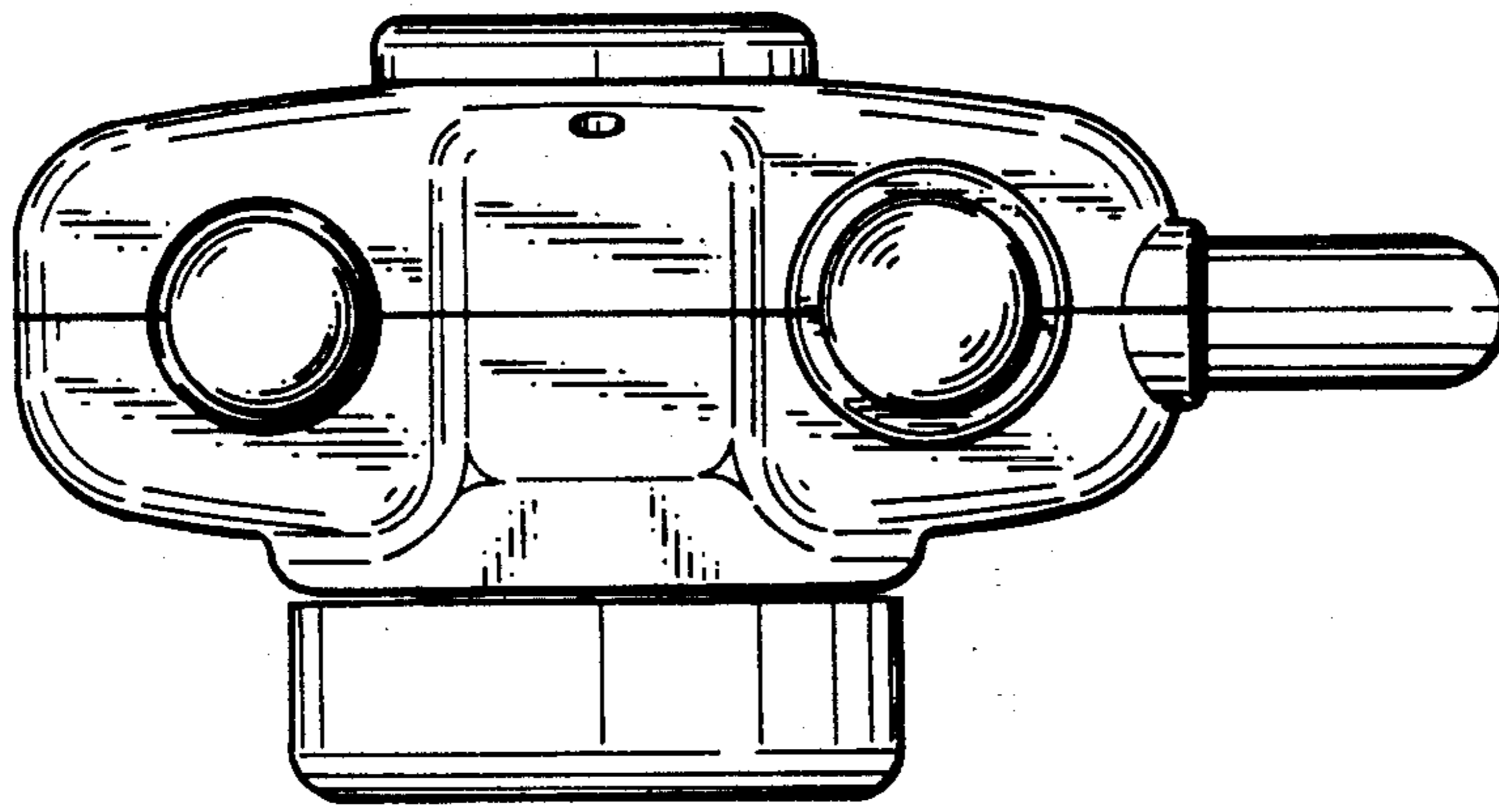


Fig. 7

