



US00D332797S

United States Patent [19]

[11] Patent Number: Des. 332,797

Shinmoto et al.

[45] Date of Patent: ** Jan. 26, 1993

[54] OFFSET PRINTING MACHINE

[75] Inventors: **Takahiko Shinmoto; Tetsuyuki Doi,**
both of Hiroshima, Japan

[73] Assignee: **Ryobi Ltd.,** Hiroshima, Japan

[**] Term: **14 Years**

[21] Appl. No.: **802,773**

[22] Filed: **Dec. 6, 1991**

[30] Foreign Application Priority Data

Jun. 7, 1991 [JP] Japan 3-16988

[52] U.S. Cl. **D18/53**

[58] Field of Search **D18/50, 51, 53, 54-56;**
101/136-140, 142, 177-181, 183-184, DIG. 47

[56] References Cited

U.S. PATENT DOCUMENTS

D. 192,394	3/1962	Behnk	D18/53
D. 263,242	3/1982	Hiraishi et al.	D18/53
D. 273,016	3/1984	Hiraishi et al.	D18/53
D. 277,767	2/1985	Sakamoto et al.	D18/53
D. 324,538	3/1992	Maehara et al.	D18/53
D. 324,876	3/1992	Maehara et al.	D18/53
4,960,049	10/1990	Mimura et al.	101/142

FOREIGN PATENT DOCUMENTS

493752 11/1986 Japan .

692082 11/1986 Japan .

OTHER PUBLICATIONS

Ryobi 500 Series Printer advertisement in Lithoweeek, Nov. 25, 1987, pp. 2-3.

Lithoweeek; Nov. 11, 1987, p. 22, Soag Machinery Limited advertisement for Dominant Factor Printer.

Primary Examiner—A. Hugo Word
Assistant Examiner—Cathy Anne MacCormac
Attorney, Agent, or Firm—Sughrue, Mion, Zinn, Macpeak & Seas

[57] CLAIM

The ornamental design for an offset printing machine, as shown.

DESCRIPTION

FIG. 1 is a front and right side perspective view of an offset printing machine showing our new design; FIG. 2 is a front elevational view thereof; FIG. 3 is a rear elevational view thereof; FIG. 4 is a right side elevational view thereof; FIG. 5 is a left side elevational view thereof; and, FIG. 6 is a top plan view thereof.

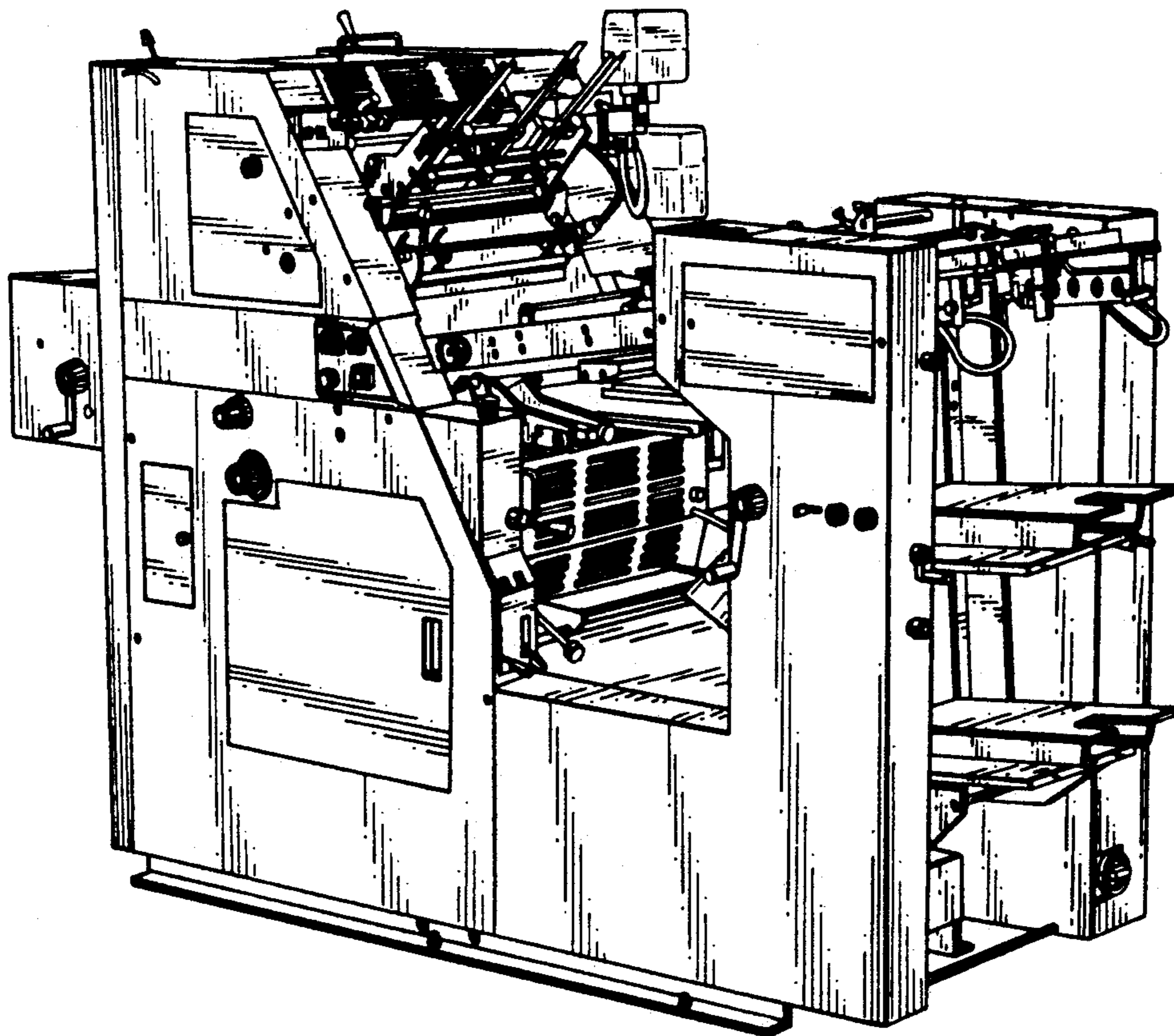


Fig. 1

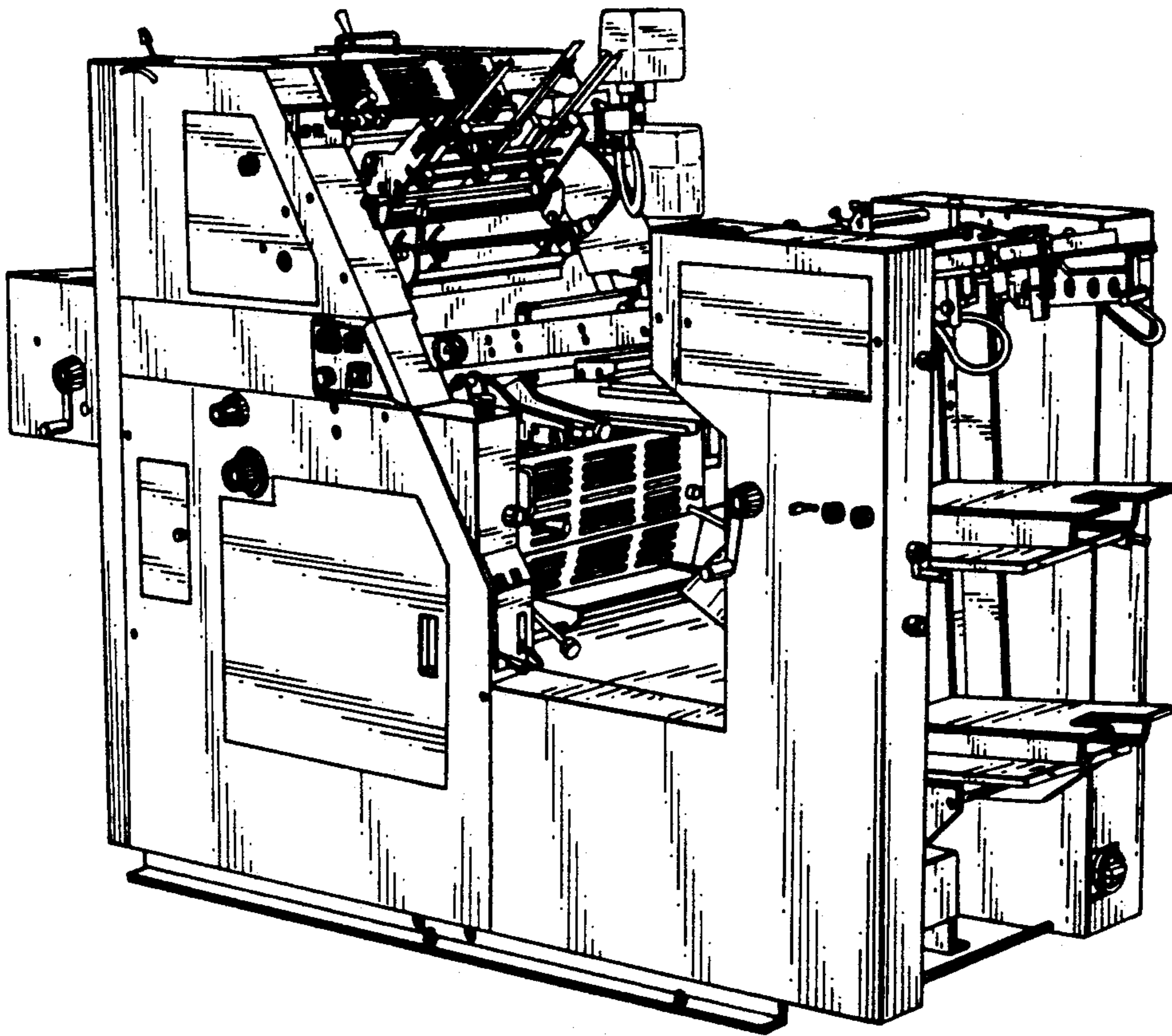


Fig. 2

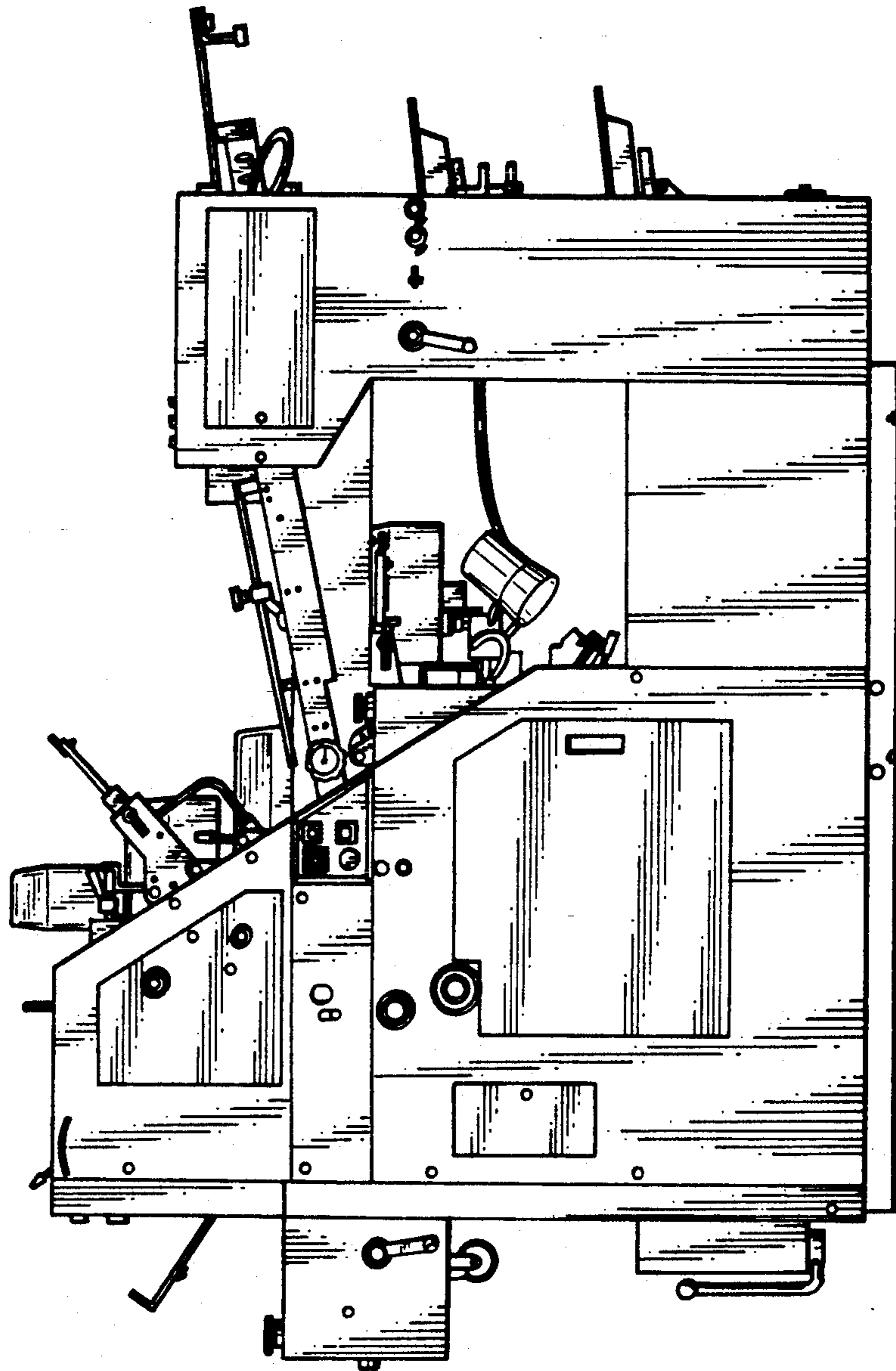


Fig. 3

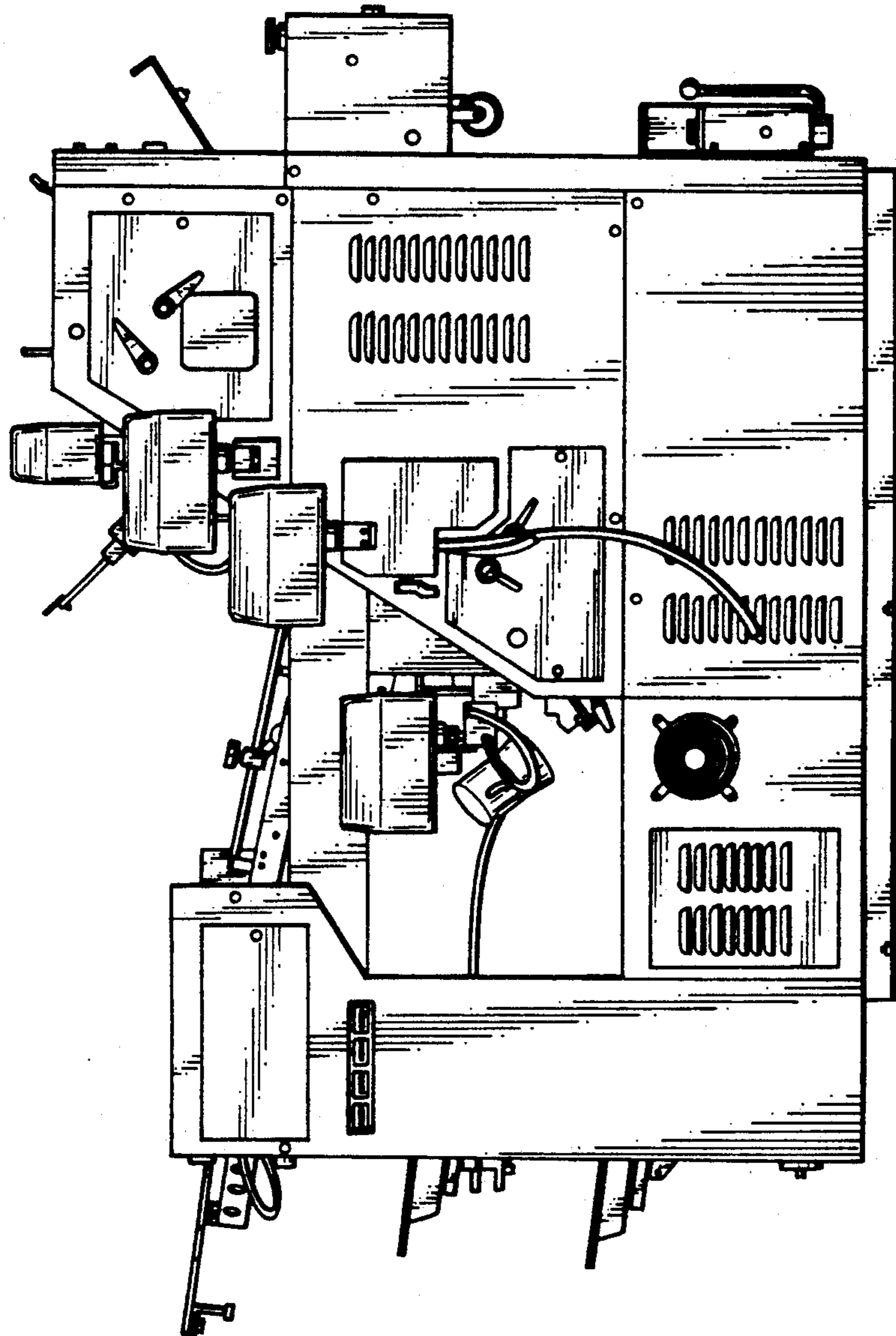


Fig. 5

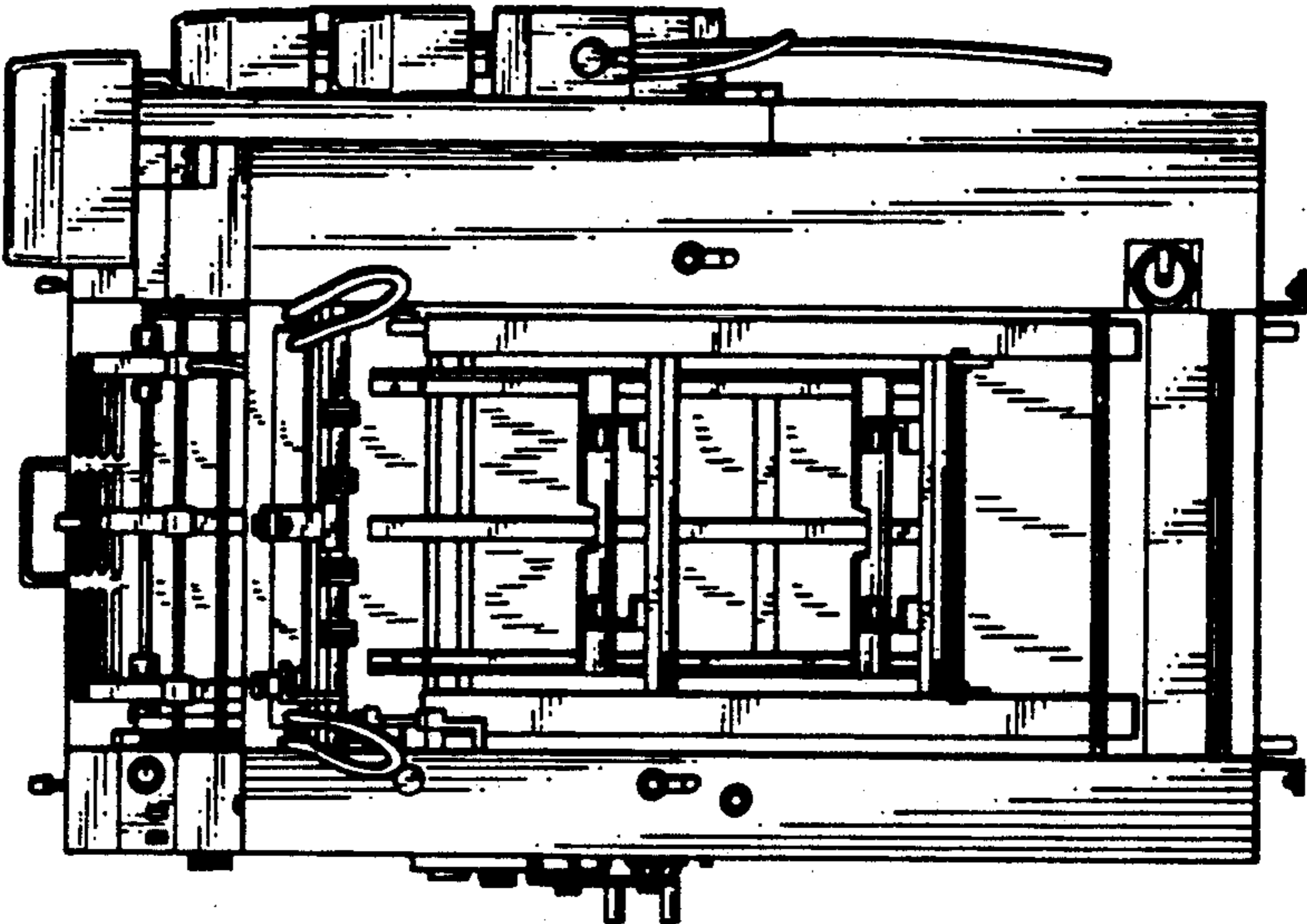


Fig. 4

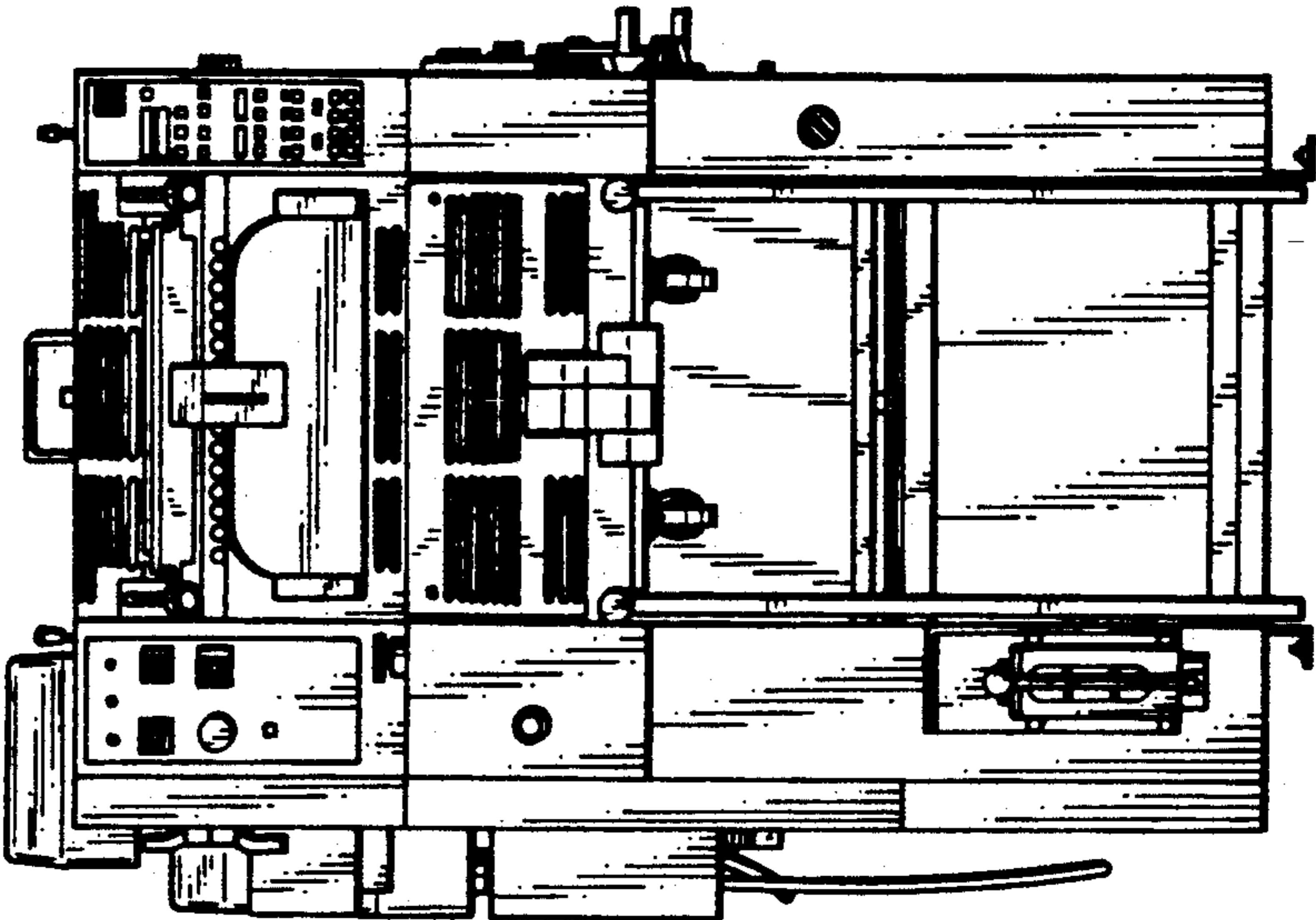


Fig. 6

