



US00D332796S

United States Patent [19]

[11] Patent Number: **Des. 332,796**

De Falco et al.

[45] Date of Patent: **** Jan. 26, 1993**

[54] **TYPING RIBBON CARTRIDGE**

[75] Inventors: **Gian F. De Falco, Samone; Paolo Prevignano, Burolo; Francesco Tonengo, Chivasso, all of Italy**

[73] Assignee: **Ing. C. Olivetti & C., S.p.A., Ivrea, Italy**

[**] Term: **14 Years**

[21] Appl. No.: **639,161**

[22] Filed: **Jan. 9, 1991**

[30] **Foreign Application Priority Data**

Jul. 9, 1990 [IT] Italy 53133 B-90

[52] U.S. Cl. **D18/12**

[58] Field of Search D18/12, 43, 56, 99; D14/121; 400/194, 195, 196, 196.1, 207, 208

[56] **References Cited**

U.S. PATENT DOCUMENTS

D. 275,404 9/1984 Hashimoto D18/12
D. 281,258 11/1985 Schiffmacher D18/12

D. 284,978 8/1986 Kusabuka D18/12
D. 285,576 9/1986 La Spesa D18/12
D. 290,715 7/1987 Omino et al. D18/12
D. 302,438 7/1989 Omino et al. D18/12
D. 302,827 8/1989 Fujita D18/12
D. 305,548 1/1990 Bellini D18/12
D. 323,341 1/1992 Bellini D18/12

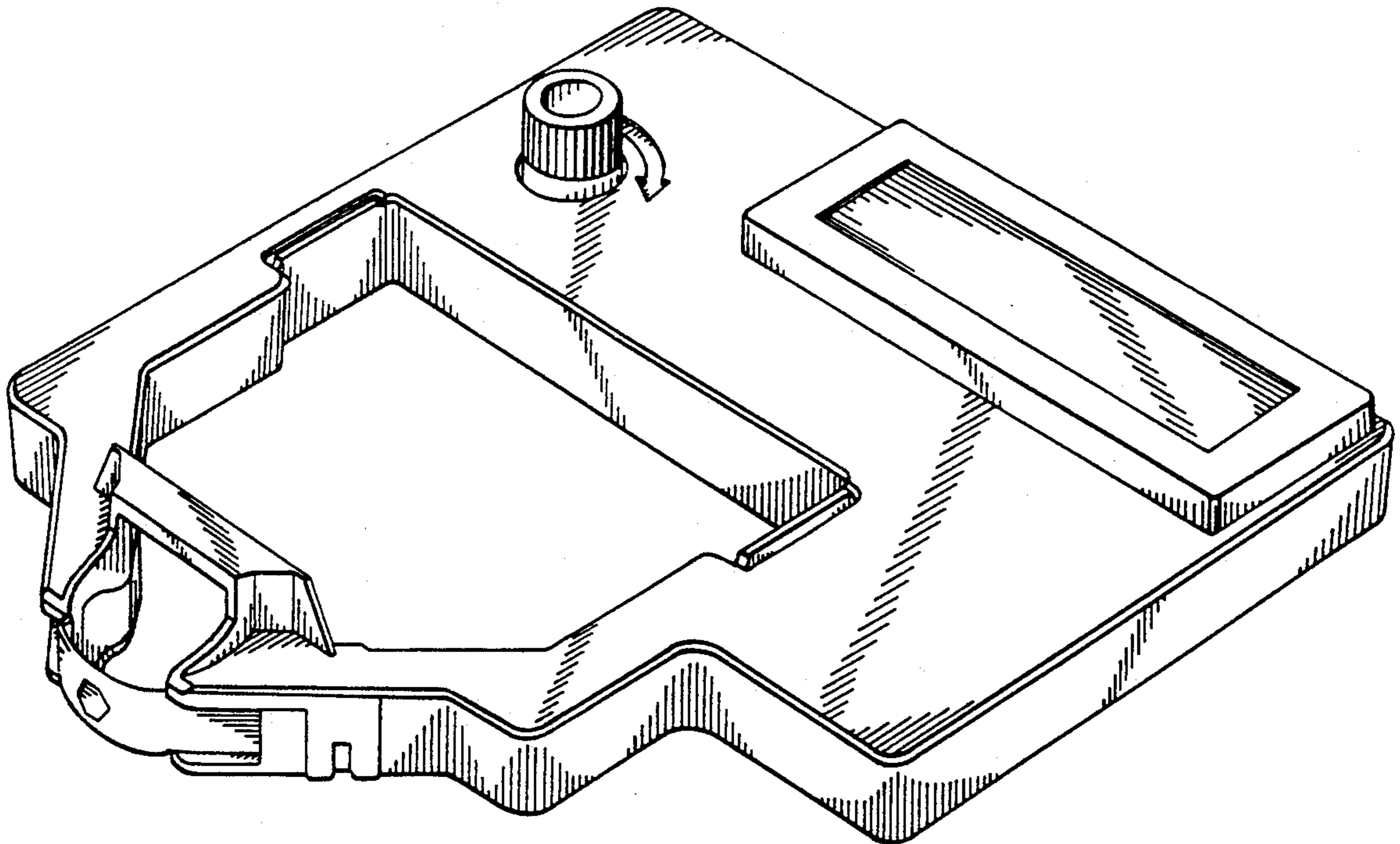
Primary Examiner—Nelson C. Holtje
Assistant Examiner—Ann S. Hunt
Attorney, Agent, or Firm—Banner, Birch, McKie & Beckett

[57] **CLAIM**

The ornamental design for a typing ribbon cartridge, as shown and described.

DESCRIPTION

FIG. 1 is a top, front and right side perspective view of a typing ribbon cartridge showing our new design; FIG. 2 is a top, rear and left side perspective view thereof; FIG. 3 is a left side elevational view thereof; and, FIG. 4 is a bottom plan view thereof.



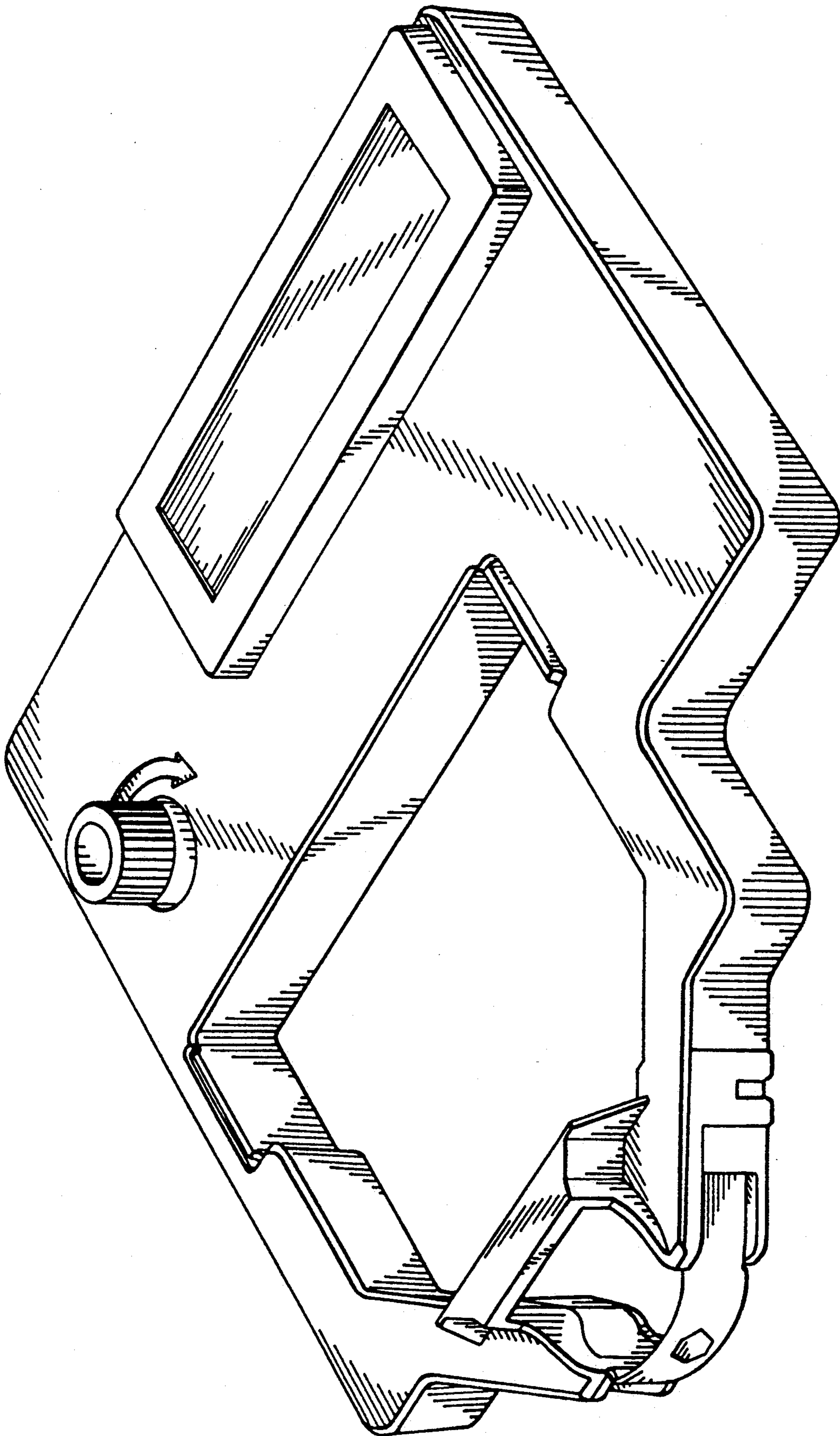


FIG. 1

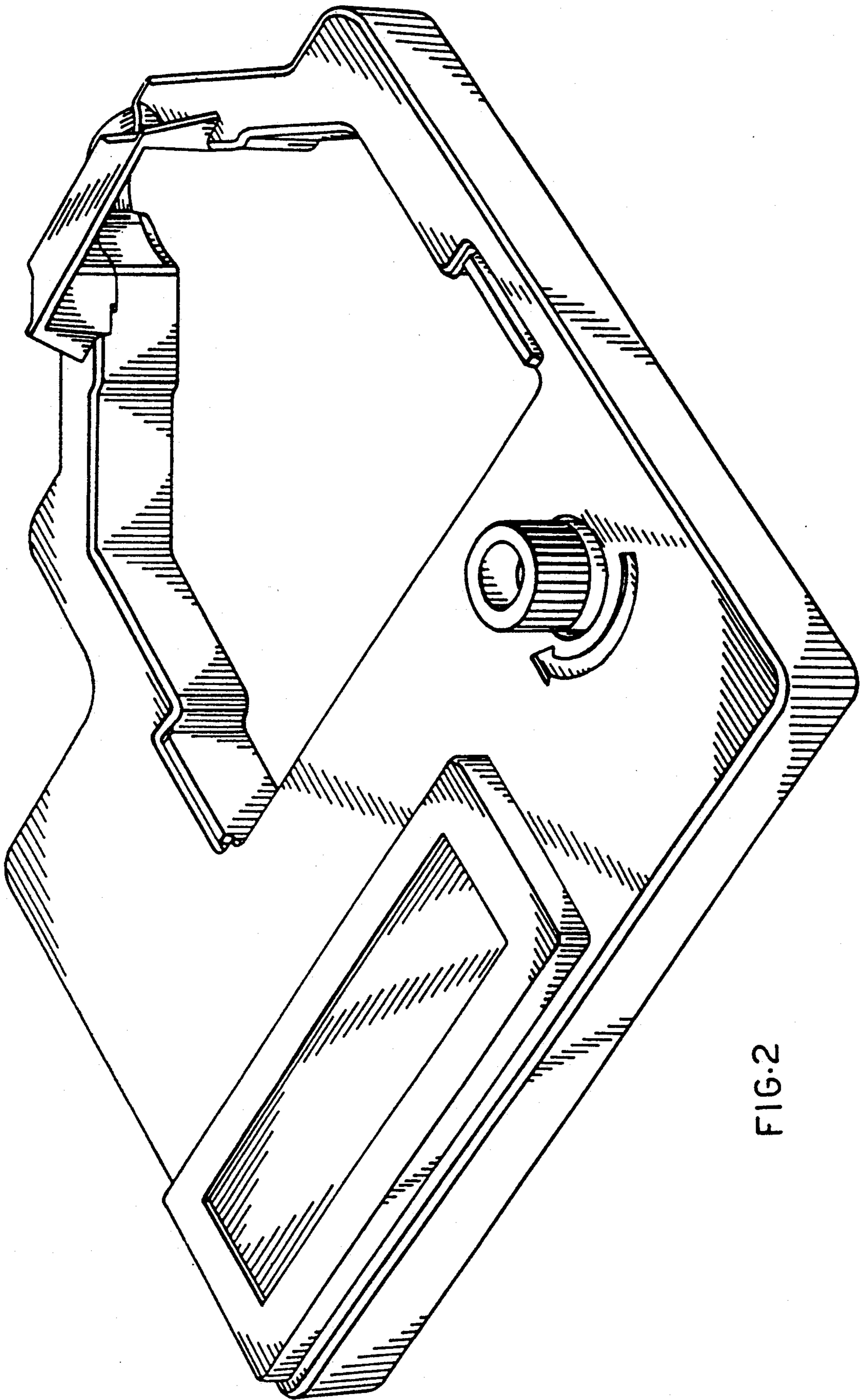


FIG. 2

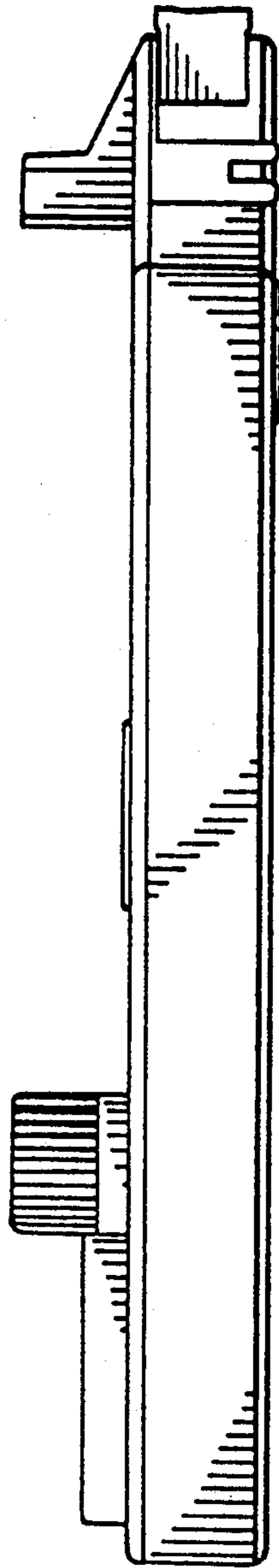


FIG. 3

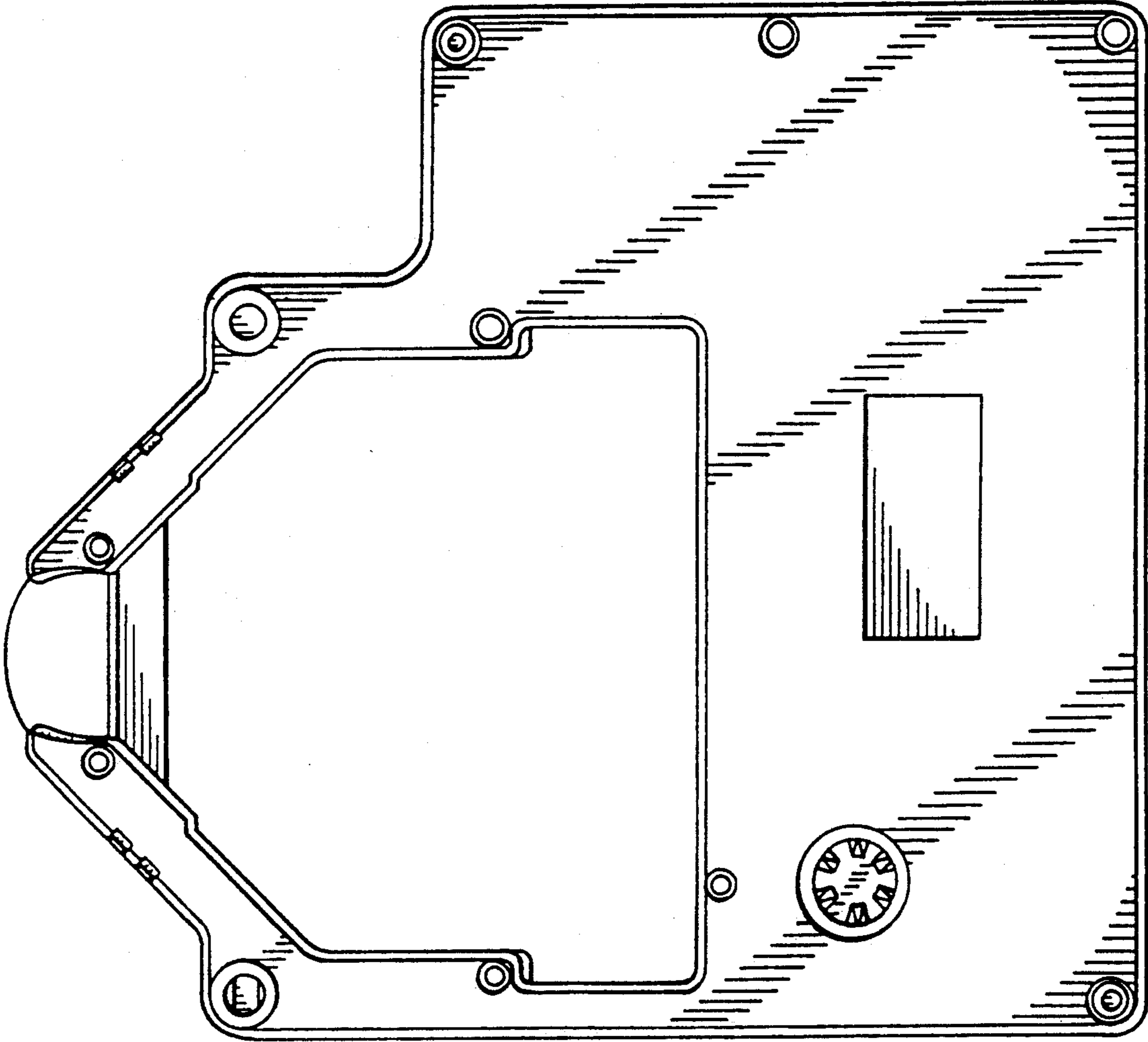


FIG. 4