



US00D332793S

United States Patent [19]

[11] Patent Number: **Des. 332,793**

Jankowiak

[45] Date of Patent: **** Jan. 26, 1993**

[54] **MICROMANIPULATOR**

4,609,264	9/1986	Podvin et al.	359/391
4,766,465	8/1988	Takahashi	359/393
4,772,109	9/1988	Cutburth et al.	359/393

[75] Inventor: **Henry Jankowiak, Ringwood, N.J.**

[73] Assignee: **Servometer Corporation, Cedar Grove, N.J.**

Primary Examiner—Bernard Ansher
Assistant Examiner—Philip Hyder
Attorney, Agent, or Firm—Lerner, David, Littenberg, Krumholz & Mentlik

[**] Term: **14 Years**

[21] Appl. No.: **586,715**

[57] **CLAIM**

[22] Filed: **Sep. 24, 1990**

The ornamental design for a micromanipulator, as shown and described.

[52] U.S. Cl. **D16/136**

[58] Field of Search **D16/131, 136; 359/391, 359/393**

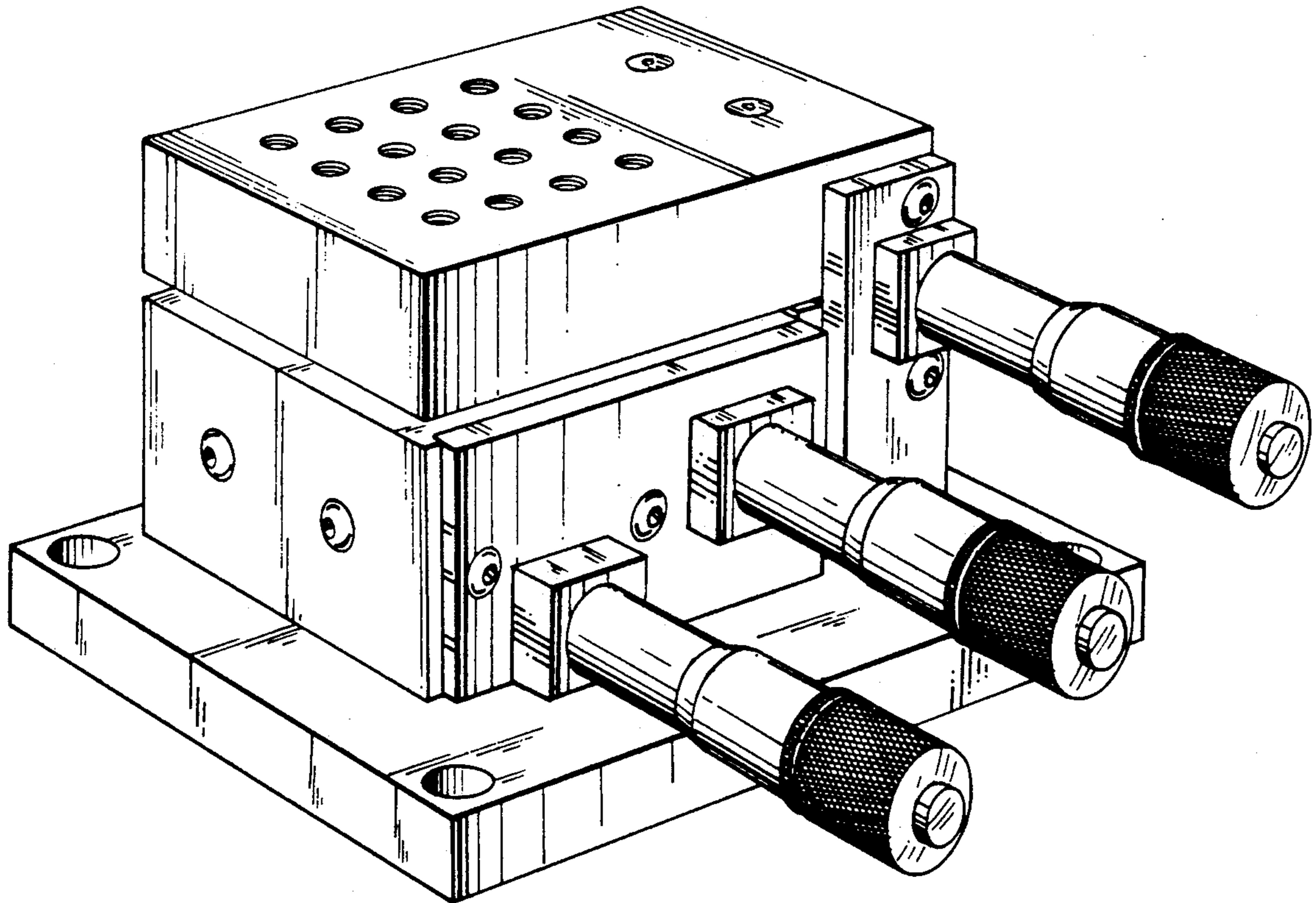
DESCRIPTION

[56] **References Cited**

U.S. PATENT DOCUMENTS

D. 257,358	10/1980	Armbruster	D16/131
1,828,460	10/1931	Emerson	359/391
2,760,405	8/1956	Frischmann	359/391
4,139,948	2/1979	Tsuchiya et al.	359/391

FIG. 1 is a perspective view of a micromanipulator showing my new design;
FIG. 2 is a front elevational view thereof;
FIG. 3 is a rear elevational view thereof;
FIG. 4 is a left side elevational view thereof;
FIG. 5 is a right side elevational view thereof;
FIG. 6 is a top plan view thereof; and,
FIG. 7 is a bottom plan view thereof.



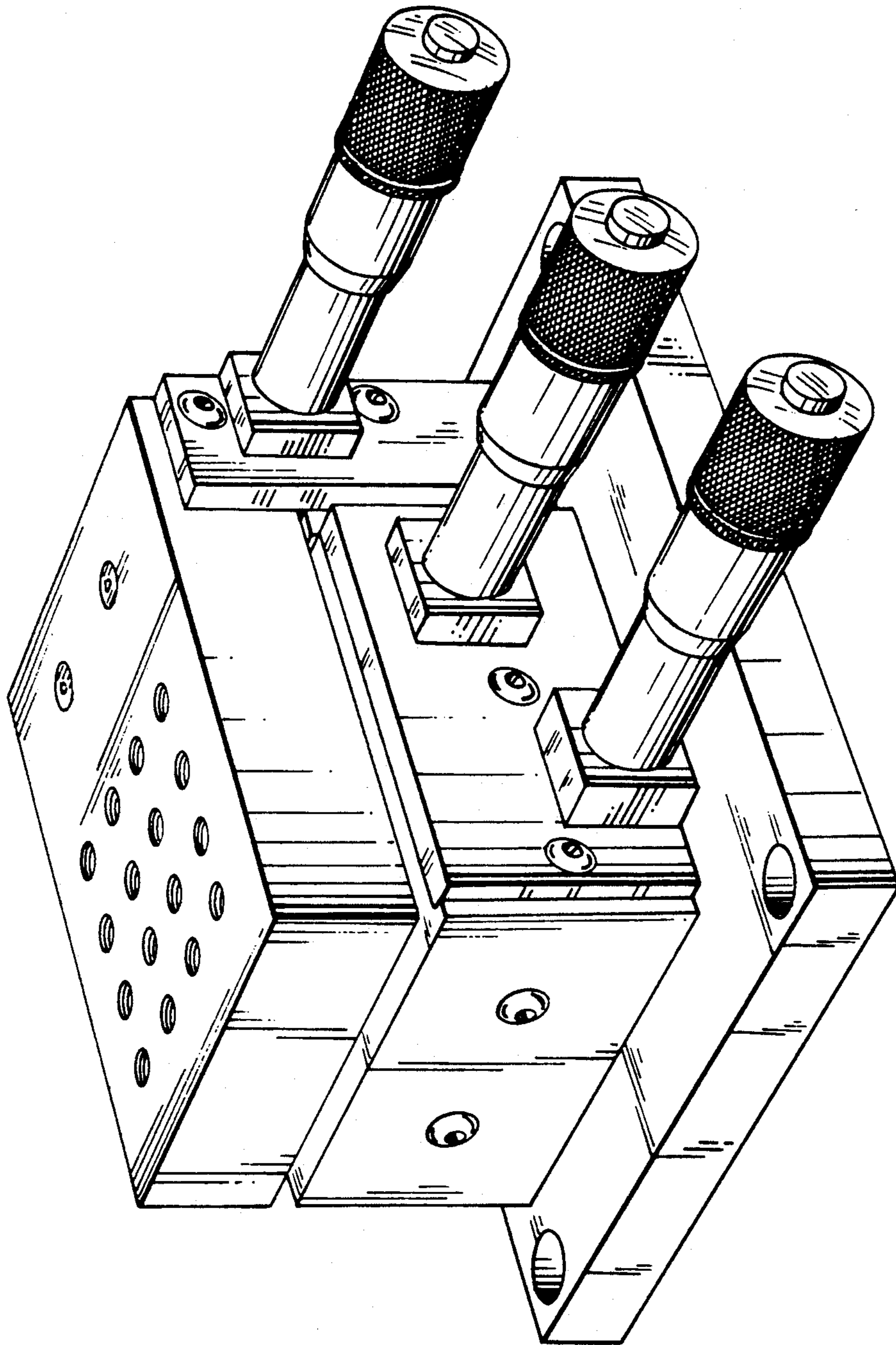


FIG. 1

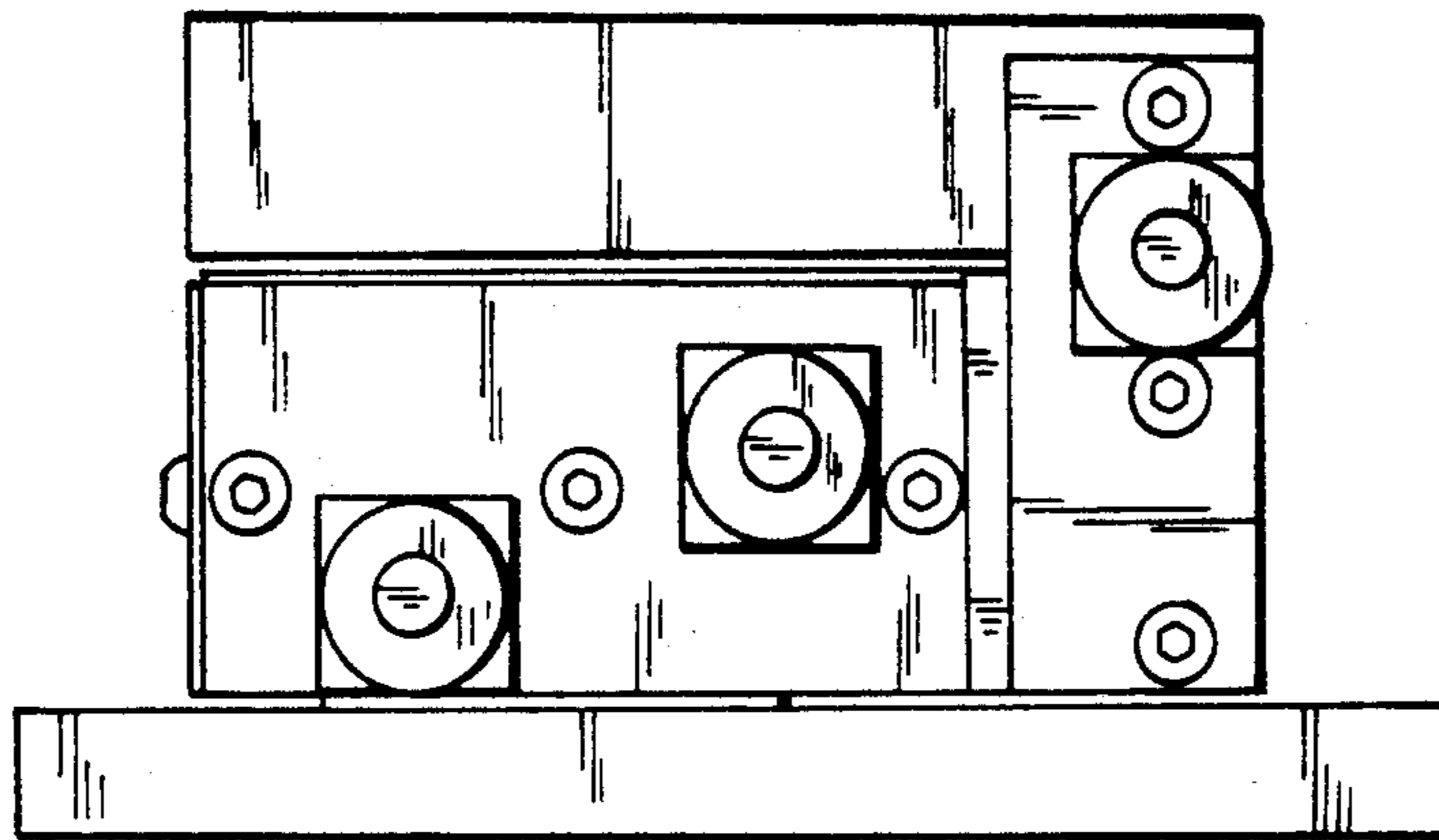


FIG. 2

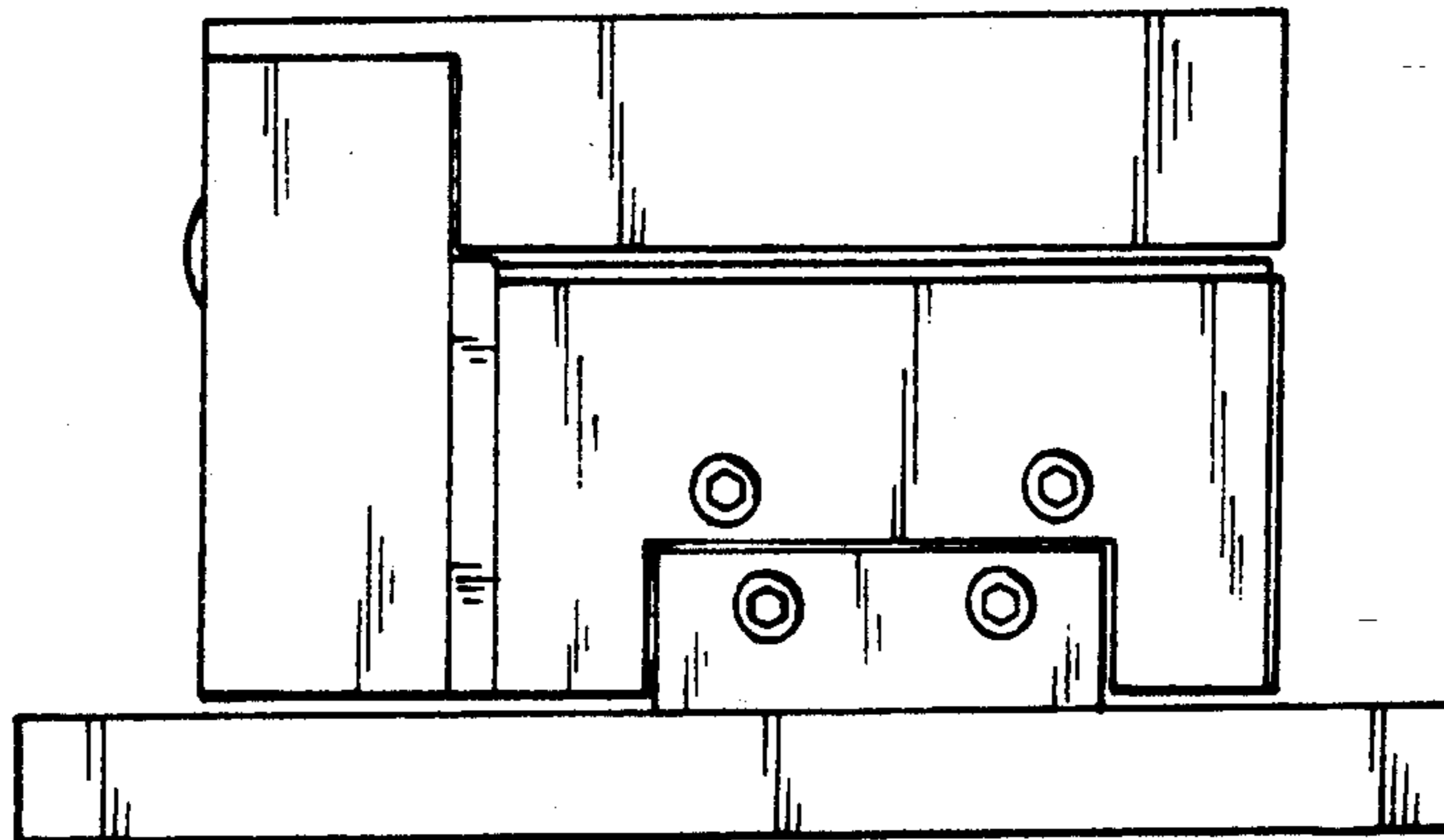


FIG. 3

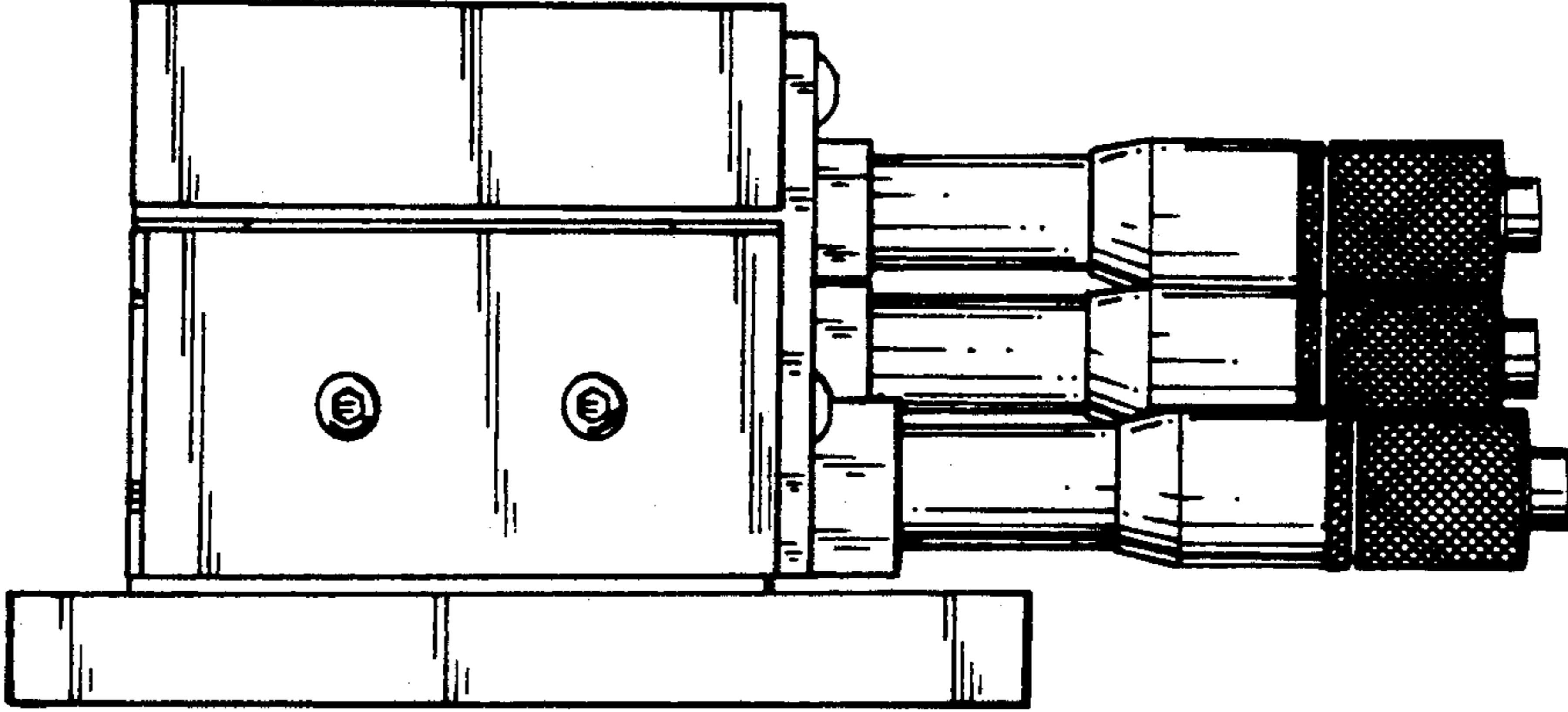


FIG. 4

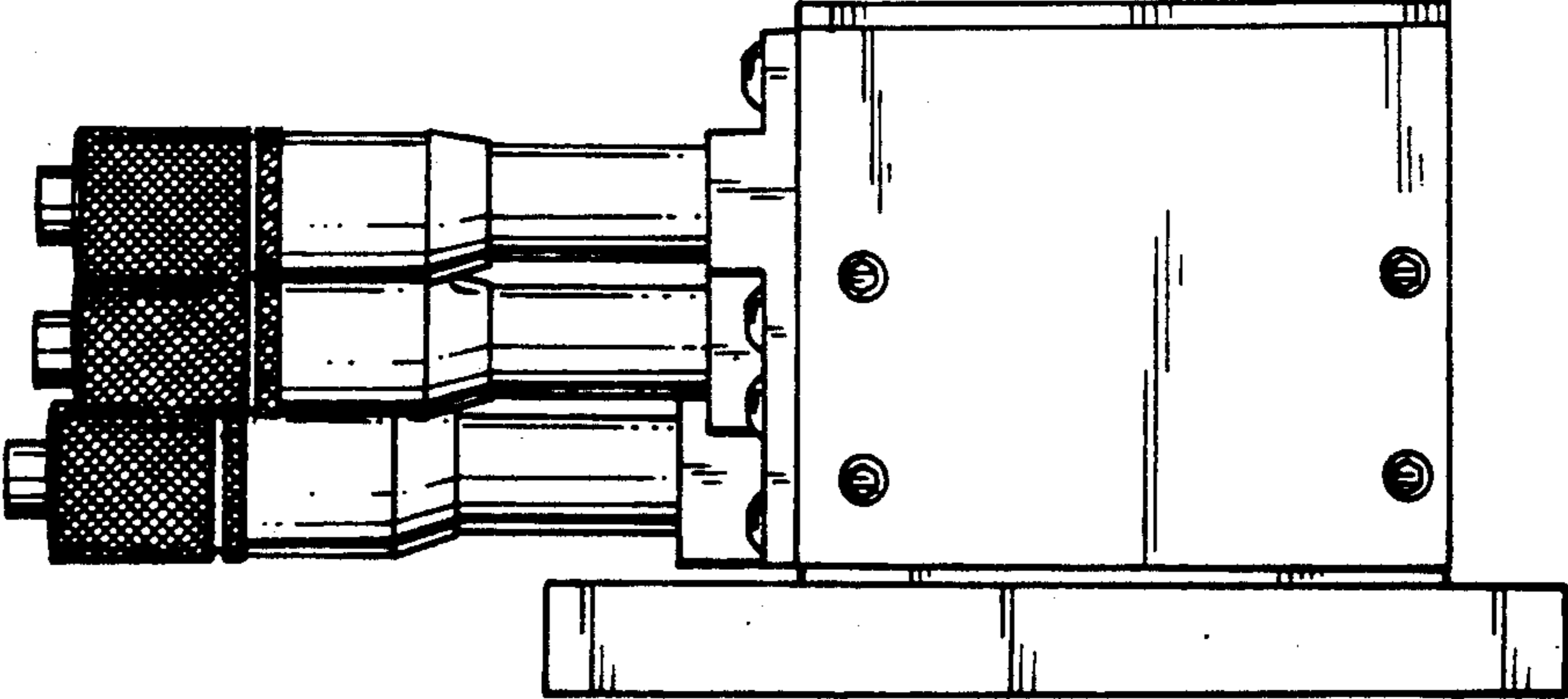


FIG. 5

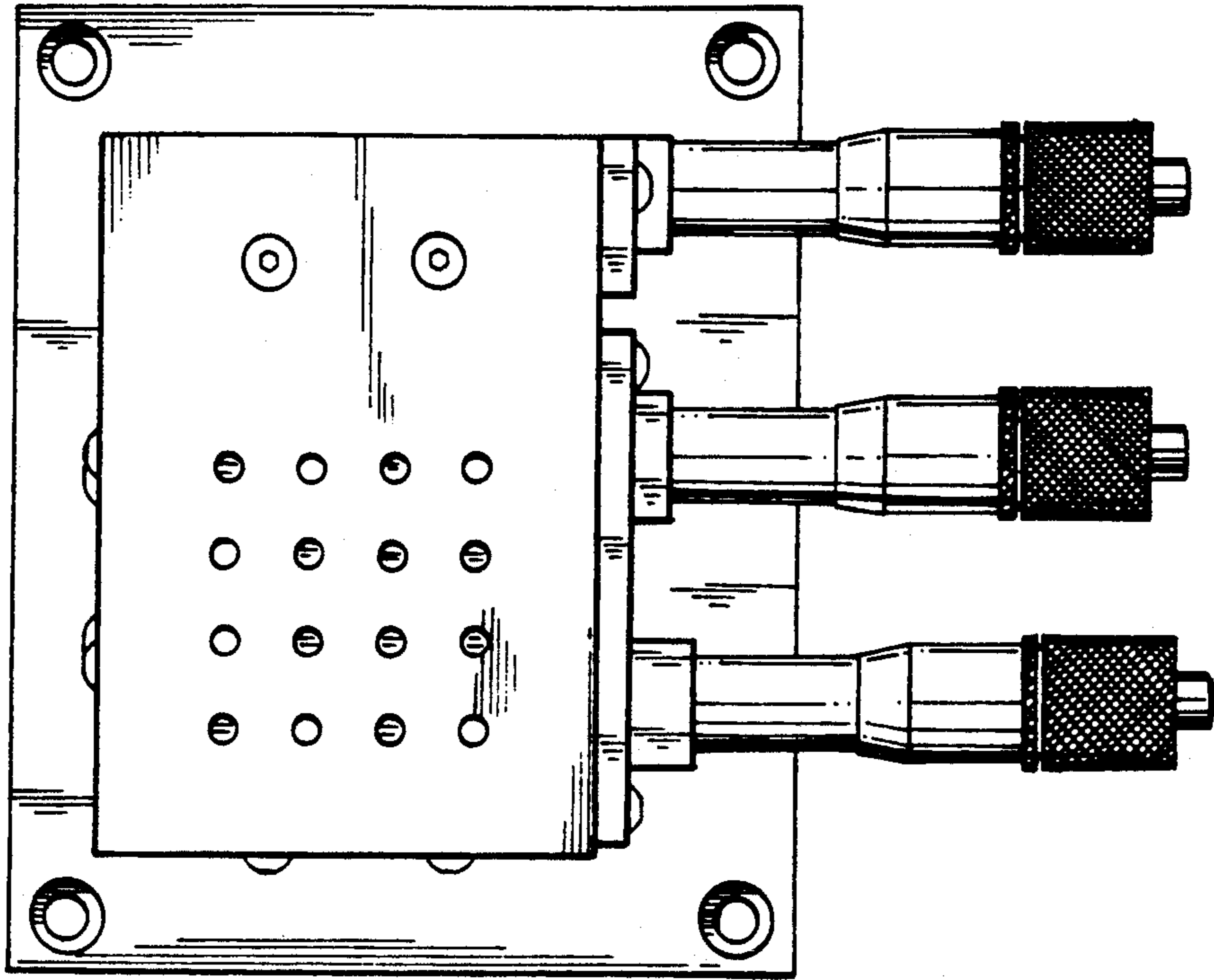


FIG. 6

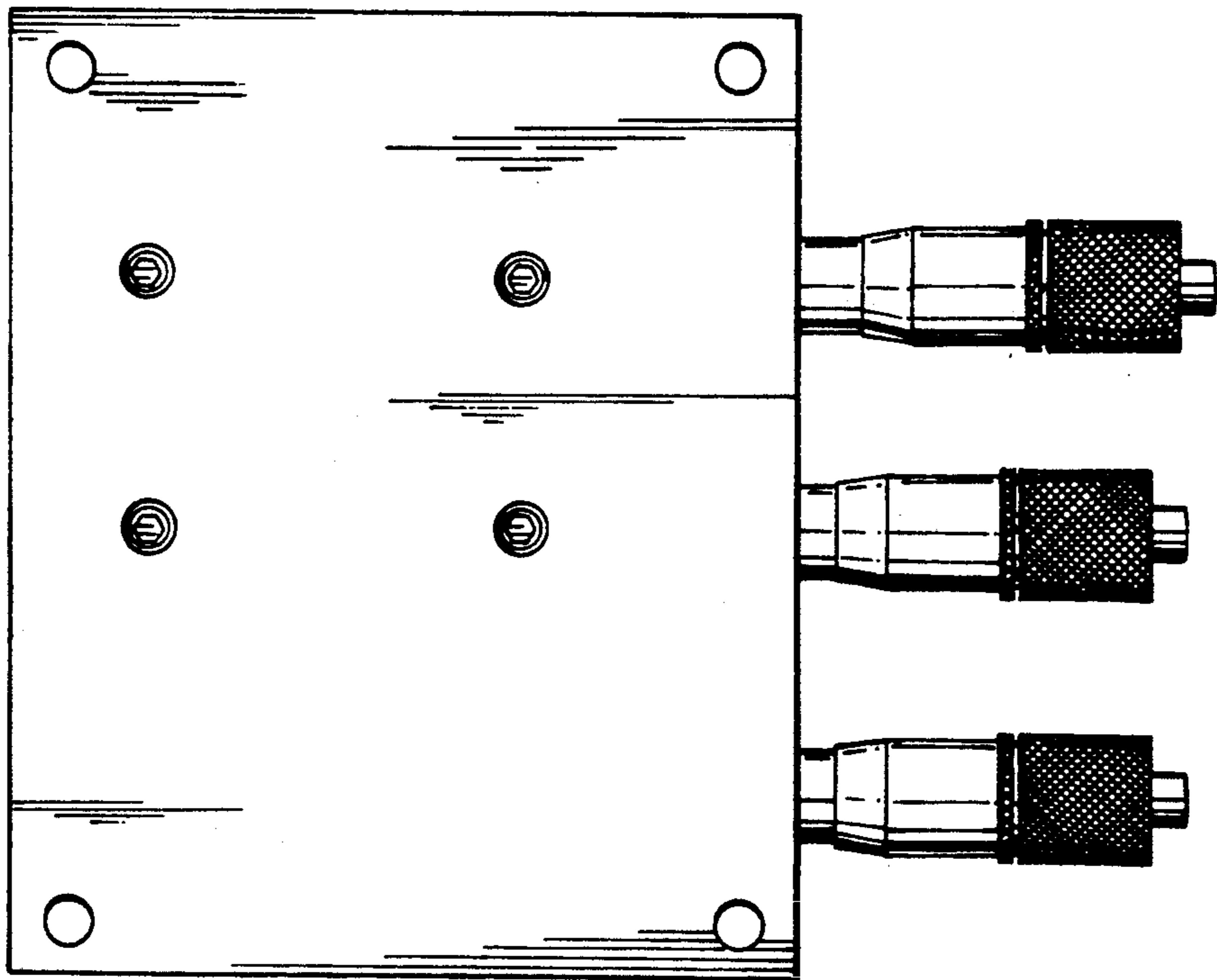


FIG. 7