



US00D332790S

United States Patent [19]

[11] Patent Number: Des. 332,790

Gauthier et al.

[45] Date of Patent: ** Jan. 26, 1993

[54] CONTROL PUSHBUTTONS FOR A RADIO SYSTEM

[56] References Cited

U.S. PATENT DOCUMENTS

- D. 312,463 11/1990 Grinyer D14/265
- D. 313,023 12/1990 Kolenda et al. D14/258
- D. 316,092 4/1991 Ham D14/258 X
- D. 327,688 7/1992 Ito et al. D14/188

[75] Inventors: John T. Gauthier, West Bloomfield; Robert P. Scott, Dearborn; Jeff Burgy, Farmington Hills, all of Mich.; John P. Stoddard; Robin Sarre, both of London, United Kingdom

OTHER PUBLICATIONS

1989 Sony Autosound Catalog.

Primary Examiner—Bernard Ansher

Assistant Examiner—Mitchell Siegel

Attorney, Agent, or Firm—Mark Mollon; Roger L. May

[73] Assignee: Ford Motor Company, Dearborn, Mich.

[57] CLAIM

The ornamental design for control pushbuttons for a radio system, as shown.

[**] Term: 14 Years

DESCRIPTION

[21] Appl. No.: 553,502

FIG. 1 is a fragmentary top, front, and right side perspective view of control pushbuttons for a radio system showing our new designs;

[22] Filed: Jul. 16, 1990

FIG. 2 is a front elevational view thereof;

[52] U.S. Cl. D14/299; D14/258; D14/265

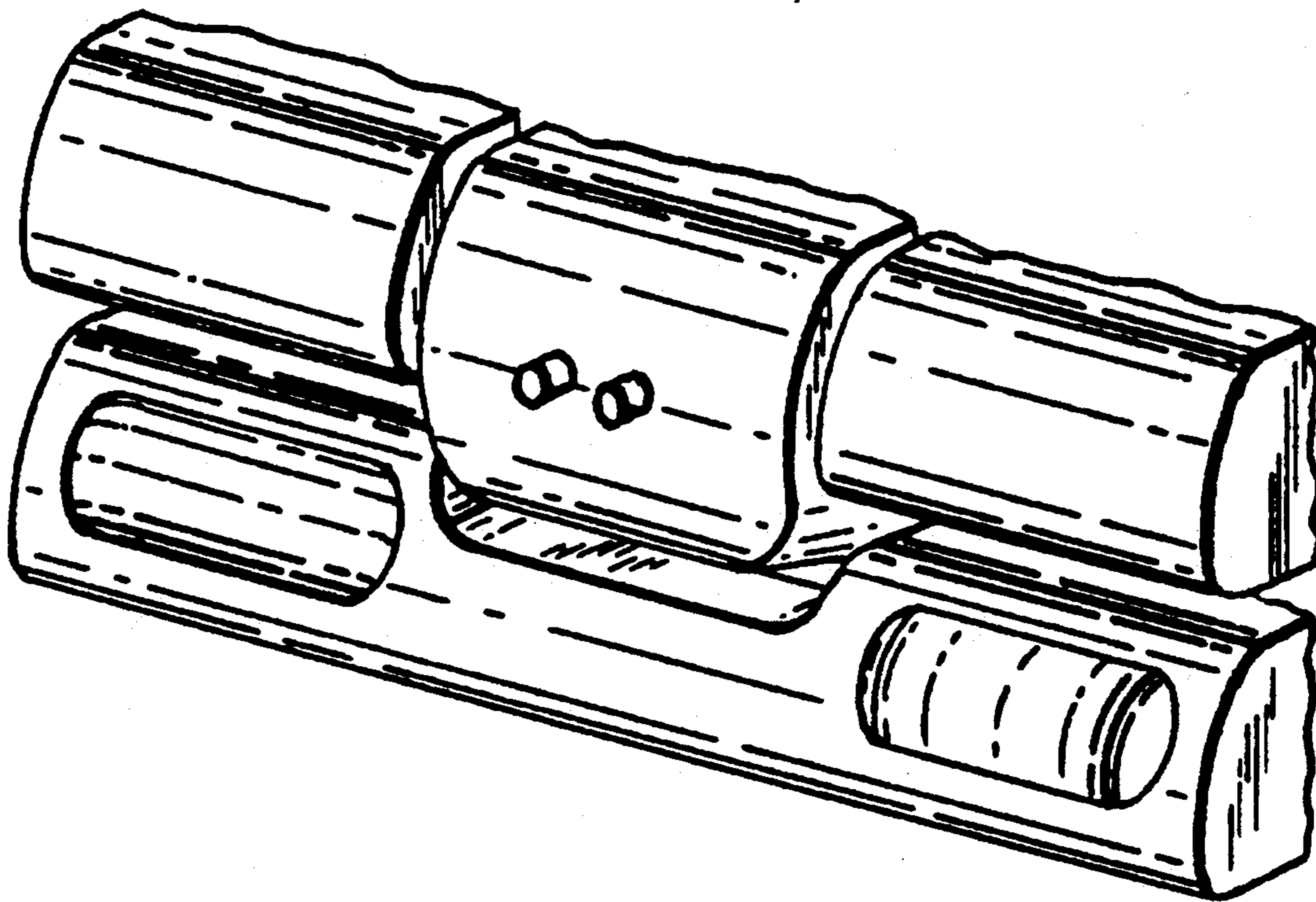
FIG. 3 is a left side elevational view thereof;

[58] Field of Search D14/124, 156-158, D14/257, 258, 265, 299, 217; 455/345, 346

FIG. 4 is a right side elevational view thereof;

FIG. 5 is a top plan view thereof; and,

FIG. 6 is a bottom plan view thereof.



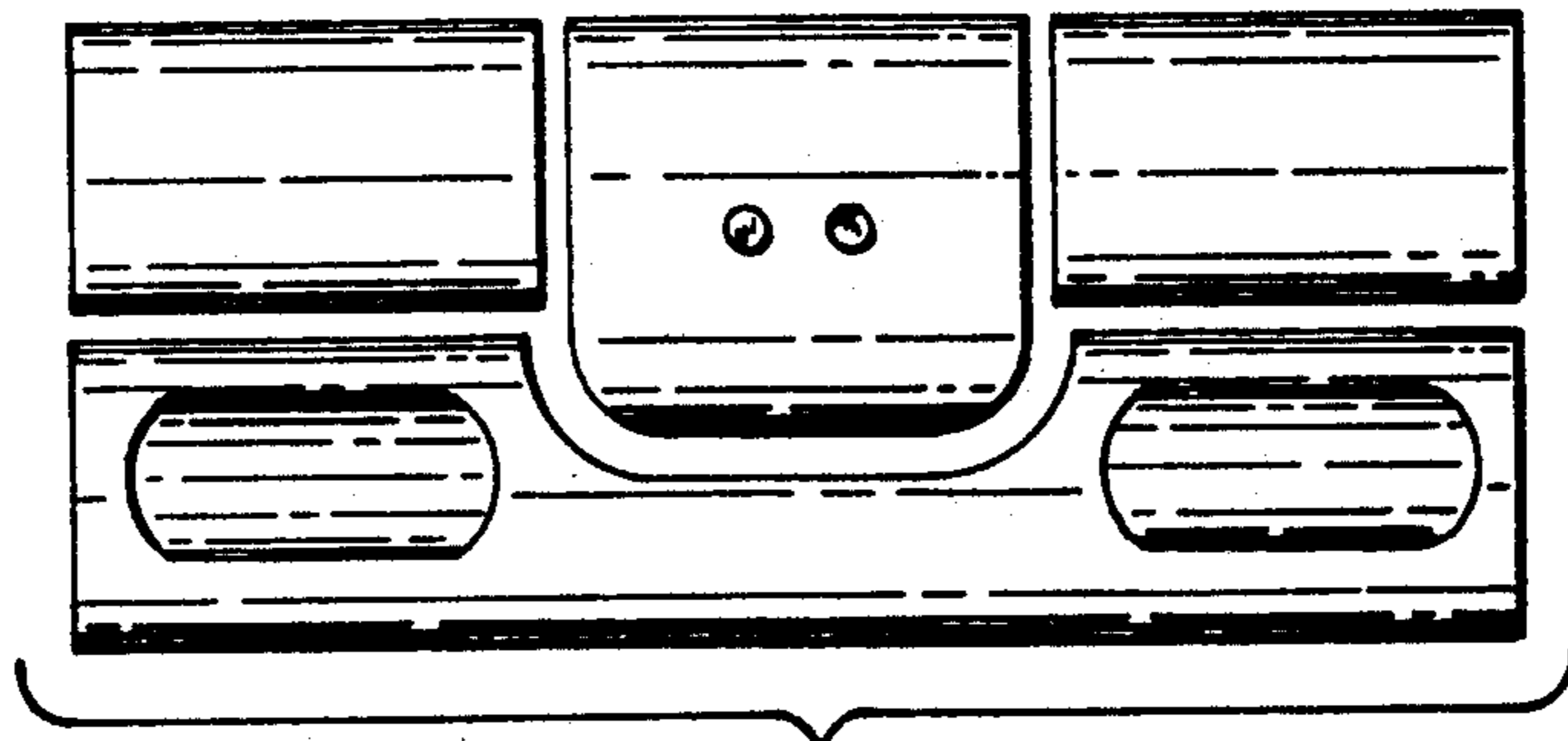
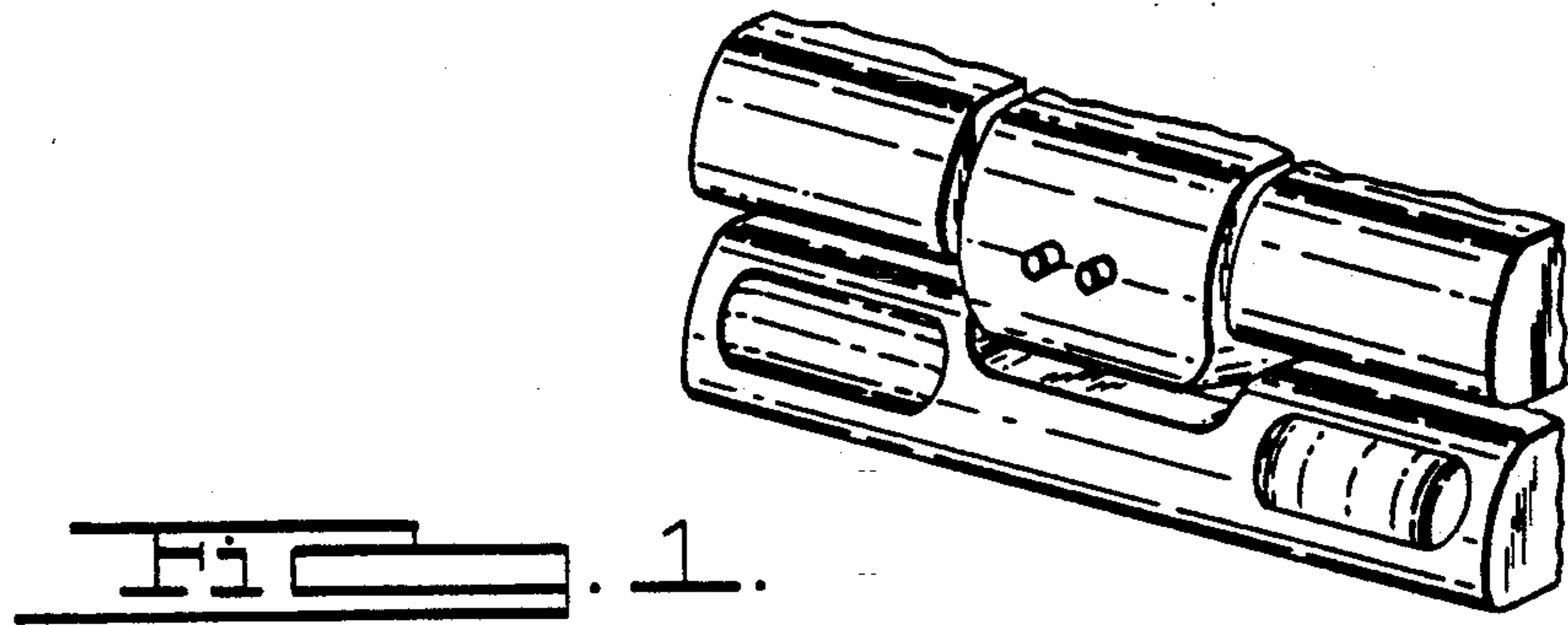


Fig. 3.

Fig. 2.

Fig. 4.



Fig. 6.