



US00D332789S

United States Patent [19]

[11] Patent Number: **Des. 332,789**

Rak

[45] Date of Patent: **** Jan. 26, 1993**

[54] **COMMUNICATION EQUIPMENT STAND FOR MOUNTING IN THE INTERIOR OF A VEHICLE**

5,109,411 4/1992 O'Connell 379/454

[75] Inventor: **Roman P. Rak**, Delta, Canada

FOREIGN PATENT DOCUMENTS

[73] Assignee: **Motorola, Inc.**, Schaumburg, Ill.

640309 7/1950 United Kingdom D14/251

[**] Term: **14 Years**

OTHER PUBLICATIONS

Cellular Business, Jul. 1991, pp. 70, 74 & 78, Cellular Telephone Mounts.

[21] Appl. No.: **745,122**

Primary Examiner—James M. Gandy
Attorney, Agent, or Firm—Donald B. Southard

[22] Filed: **Aug. 12, 1991**

[52] U.S. Cl. **D14/251; D12/155; D8/355; D8/380**

[57] CLAIM

[58] Field of Search **D12/155; D14/251; D8/355, 380; 296/37.1, 37.8; 224/273, 42.42, 42.45 R; 379/454**

The ornamental design for a communication equipment stand for mounting in the interior of a vehicle, as shown and described.

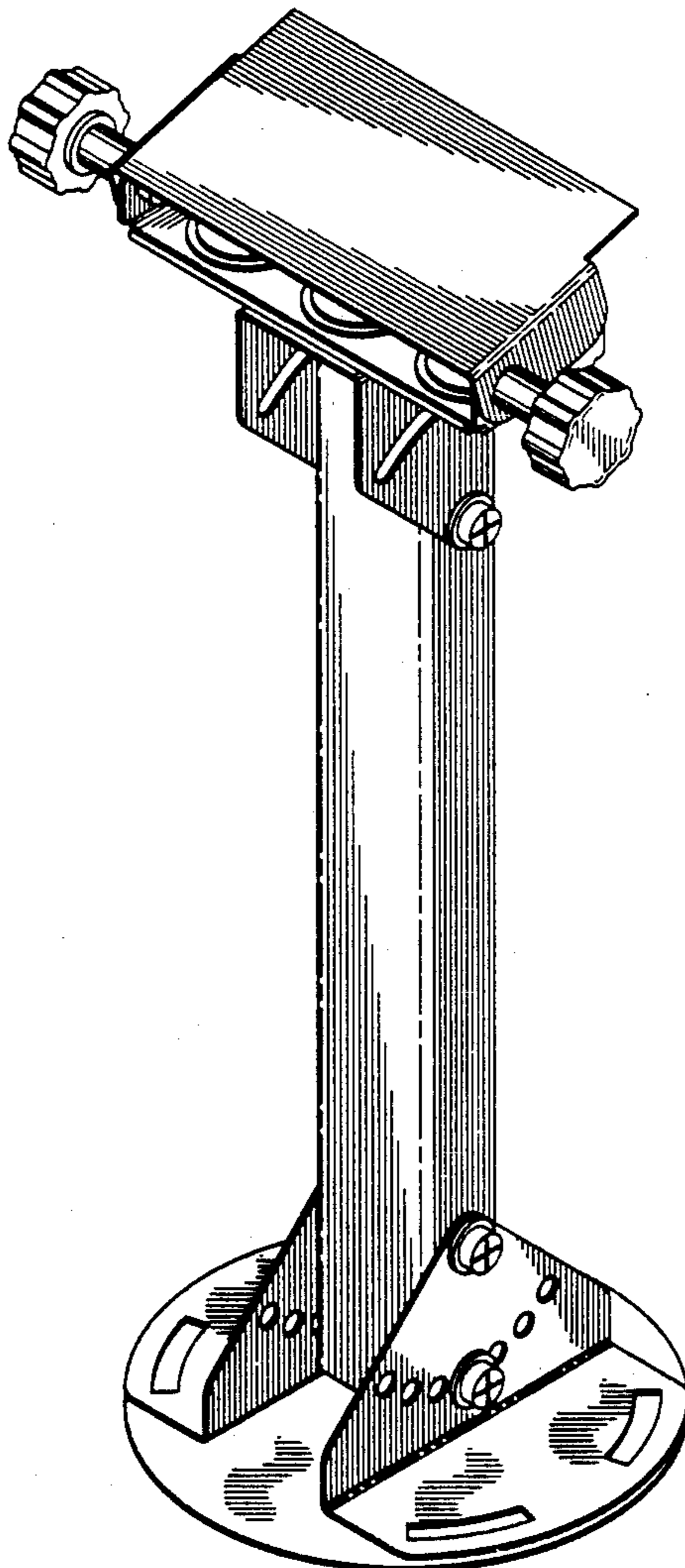
[56] References Cited

DESCRIPTION

U.S. PATENT DOCUMENTS

D. 269,945 8/1983 Carney D8/355
3,827,772 8/1974 Johnson D12/155
4,842,174 6/1989 Sheppard et al. 224/42.45 R

FIG. 1 is a top, front and right side perspective view of a communication equipment stand for mounting in the interior of a vehicle showing my new design; and, FIG. 2 is a top, rear and left side perspective view thereof.



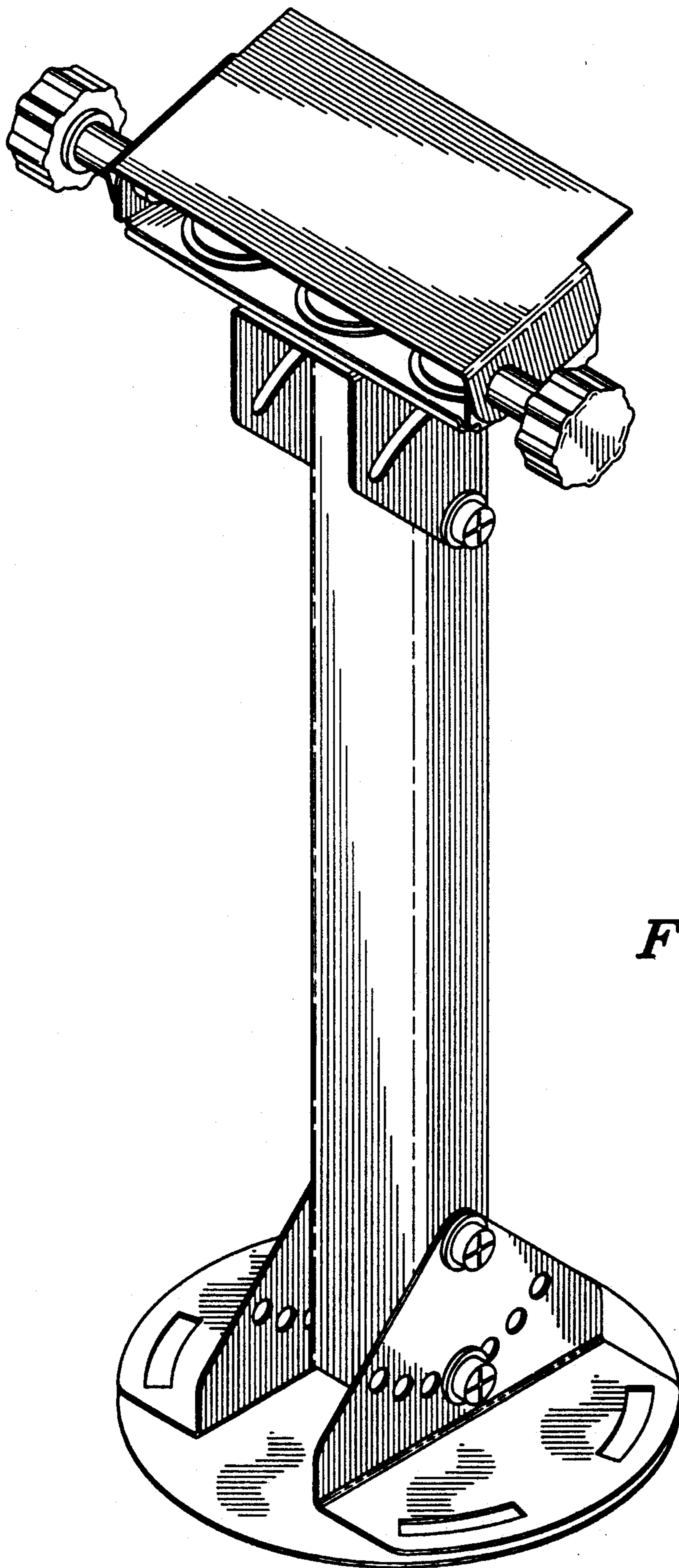


FIG. 1

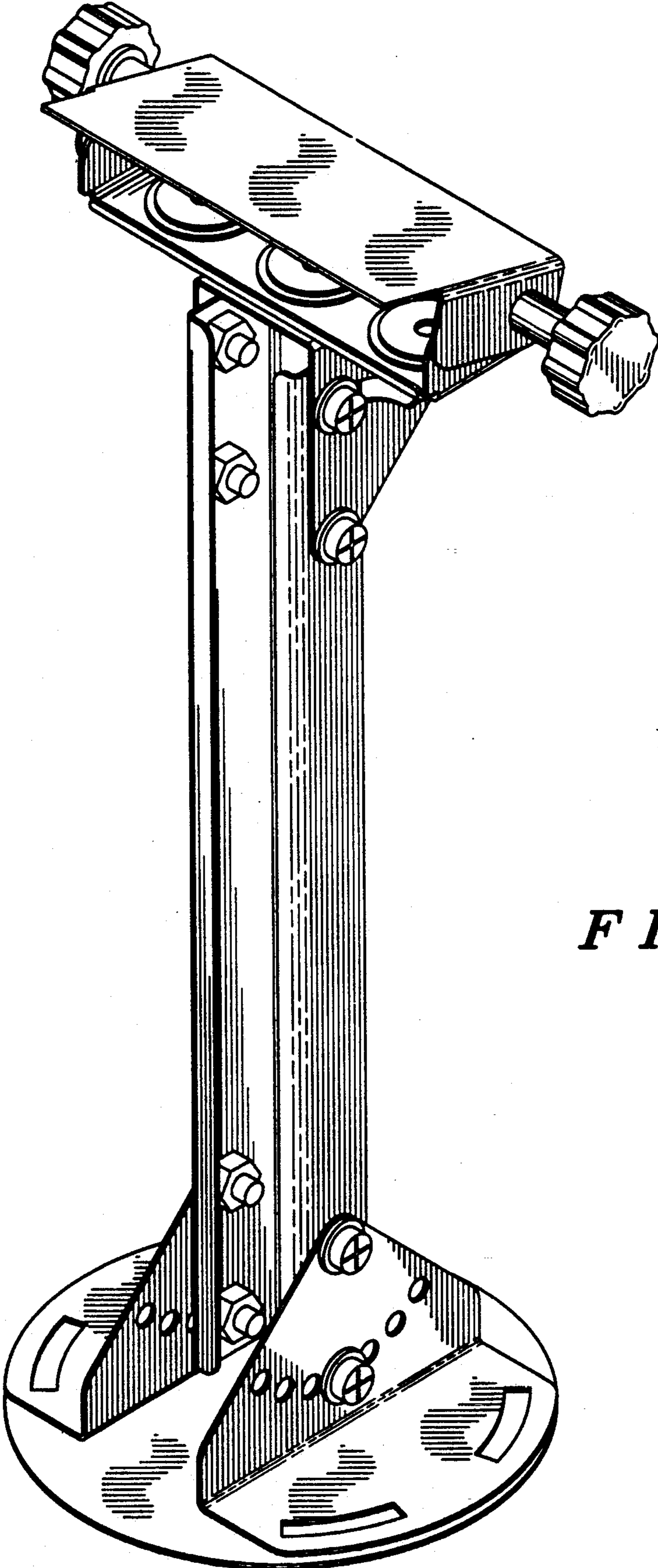


FIG. 2