



US00D332784S

United States Patent [19]

Wiseman et al.

[11] Patent Number: **Des. 332,784**

[45] Date of Patent: **** Jan. 26, 1993**

[54] **DISPLAY FOR COMPUTERS**

[75] Inventors: **John A. Wiseman**, Hillsboro Beach, Fla.; **Thomas E. Pangburn**, Lexington, Ky.

[73] Assignee: **International Business Machines Corporation**, Armonk, N.Y.

[**] Term: **14 Years**

[21] Appl. No.: **702,198**

[22] Filed: **May 16, 1991**

[30] **Foreign Application Priority Data**

Nov. 21, 1990 [GB] United Kingdom 2011176
[52] U.S. Cl. **D14/113**
[58] Field of Search D14/100, 101, 105, 106, D14/113; D18/1, 7, 11, 12; 340/700, 706, 711, 712; 364/706-709.09; 358/248, 249, 254

[56] **References Cited**

U.S. PATENT DOCUMENTS

D. 304,179 10/1989 Beaton et al. D14/113
D. 314,563 2/1991 Maurer et al. D14/113
D. 318,657 7/1991 Wiseman D14/113
D. 318,861 8/1991 Manabe et al. D14/113
D. 320,010 9/1991 Orchard et al. D14/113

Primary Examiner—Wallace R. Burke
Assistant Examiner—Freda S. Nunn
Attorney, Agent, or Firm—Joscelyn G. Cockburn

[57] **CLAIM**

The ornamental design for a display for computers, as shown and described.

DESCRIPTION

FIG. 1 is a top, front and right side perspective view of a display for computers showing our new design; FIG. 2 is a front elevational view thereof; FIG. 3 is a rear elevational view thereof; FIG. 4 is a right side elevational view thereof; FIG. 5 is a left side elevational view thereof; FIG. 6 is a top plan view thereof; and, FIG. 7 is a bottom plan view thereof.

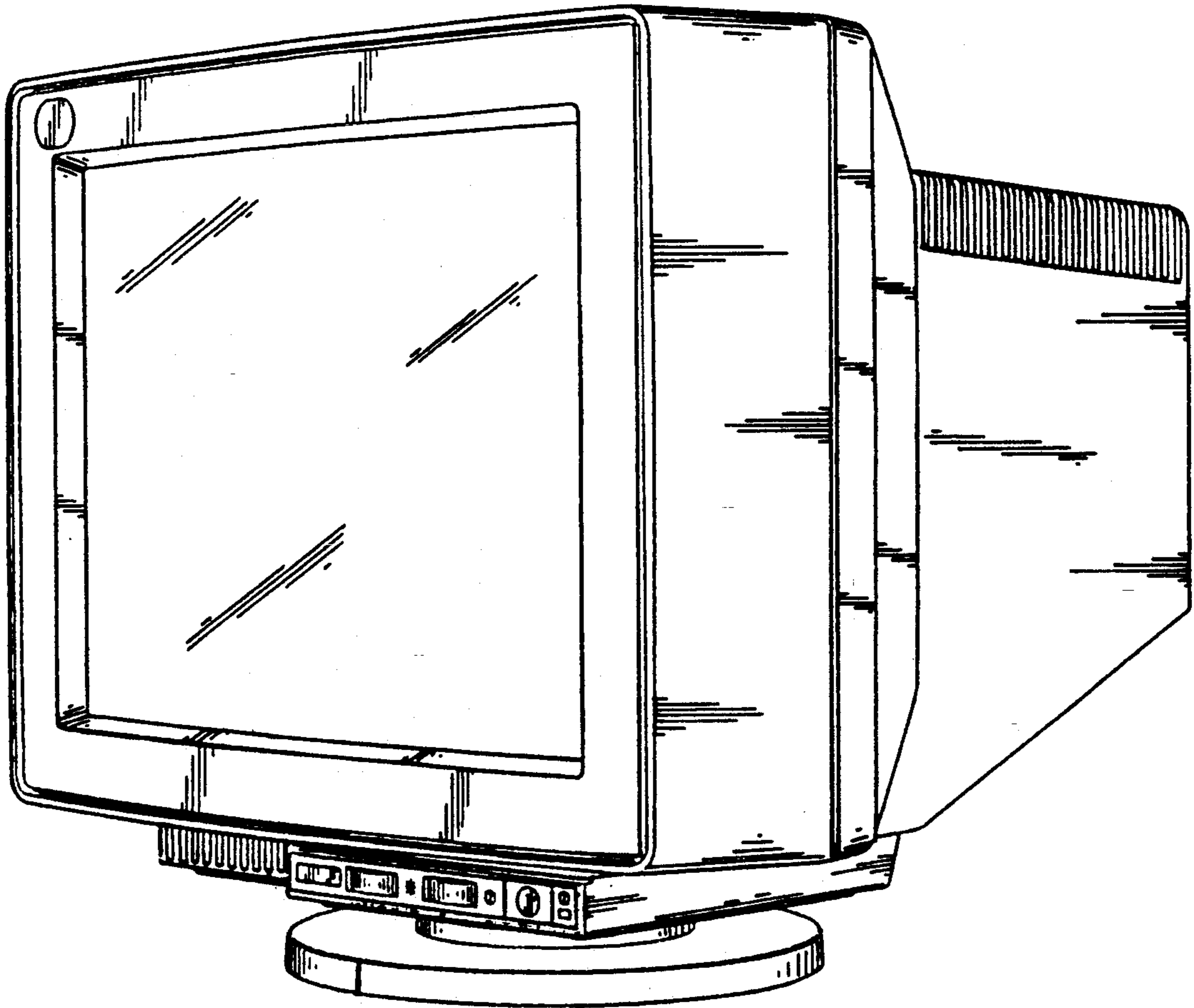


FIG. 1

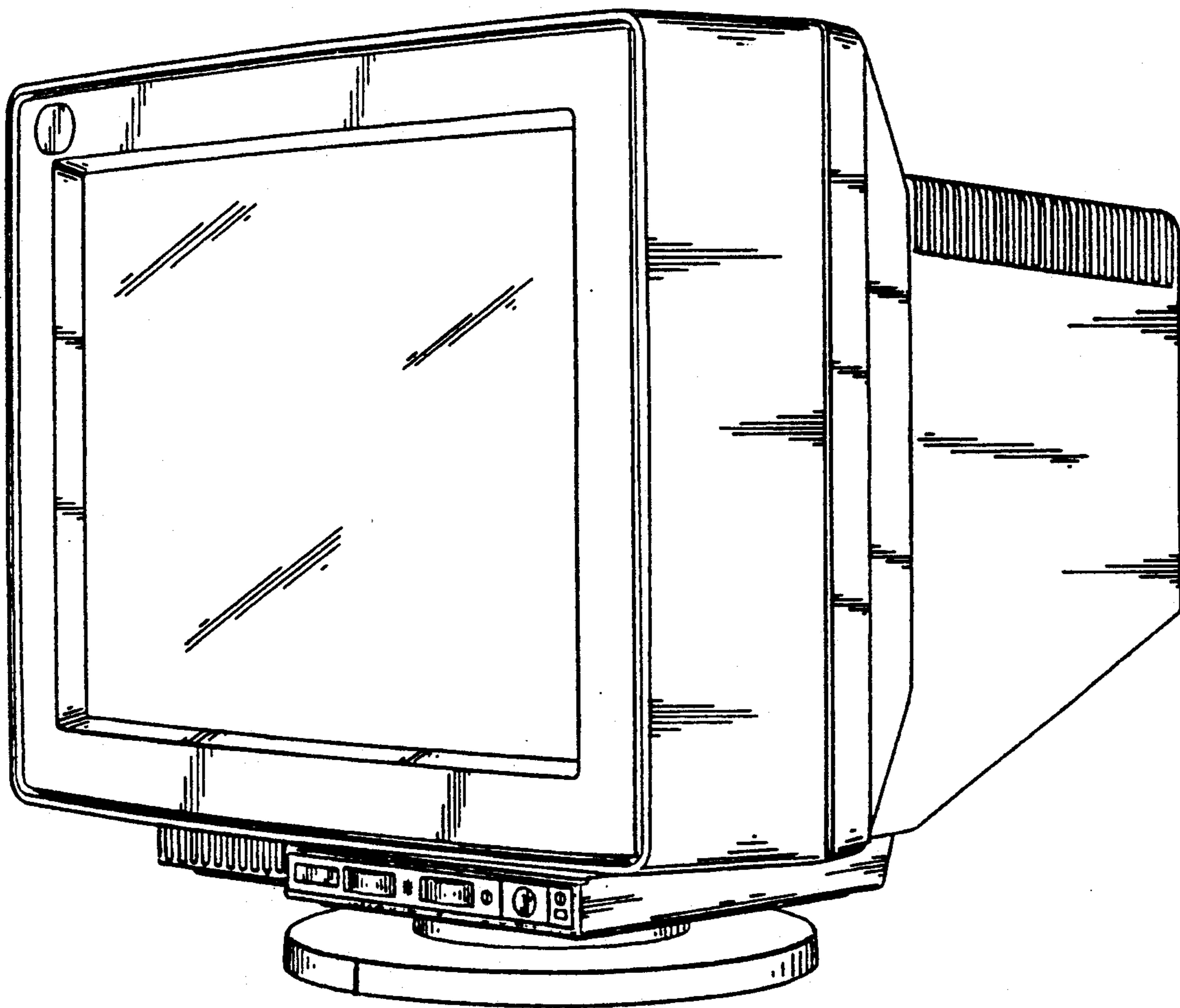


FIG. 2

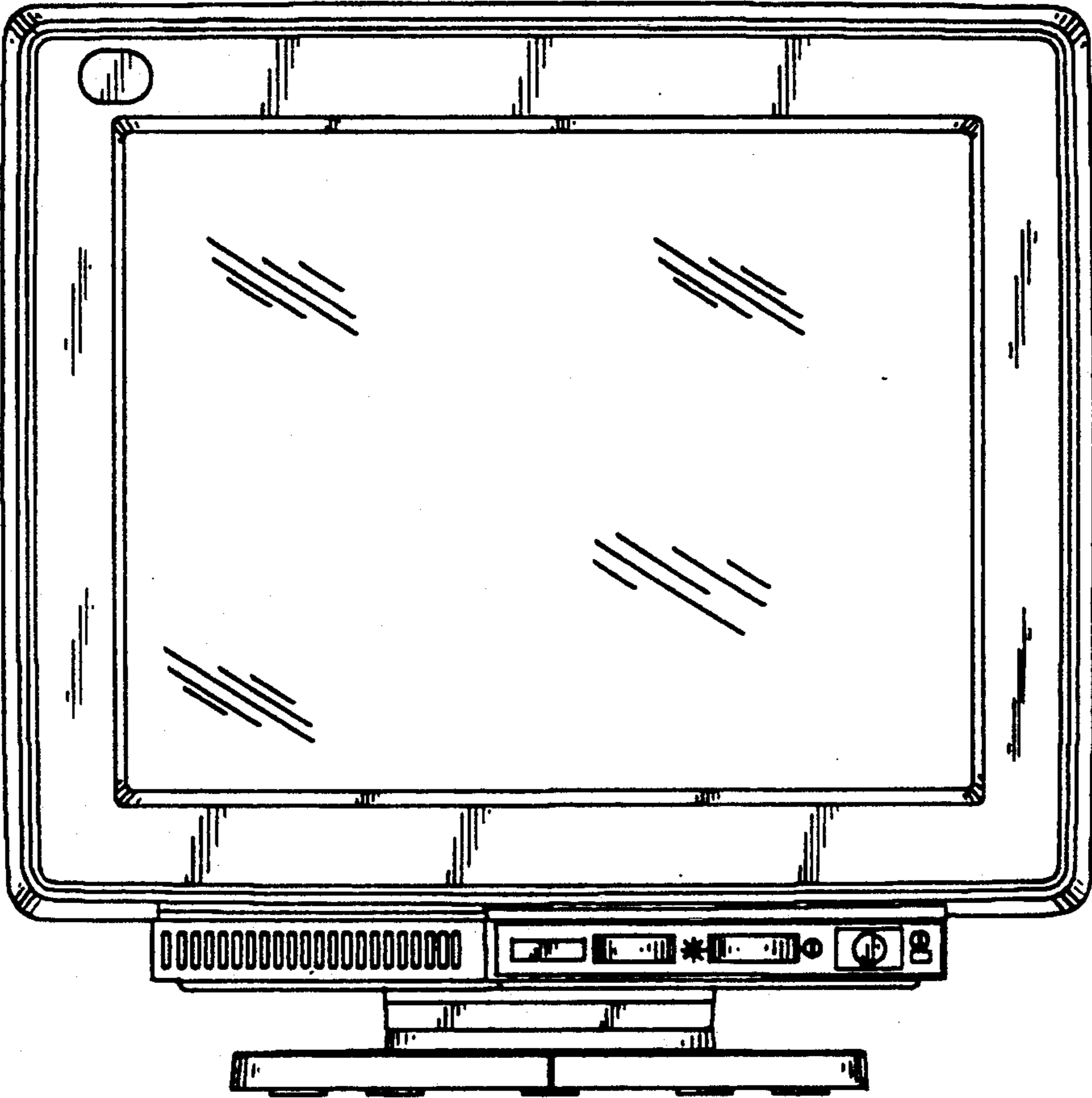


FIG. 3

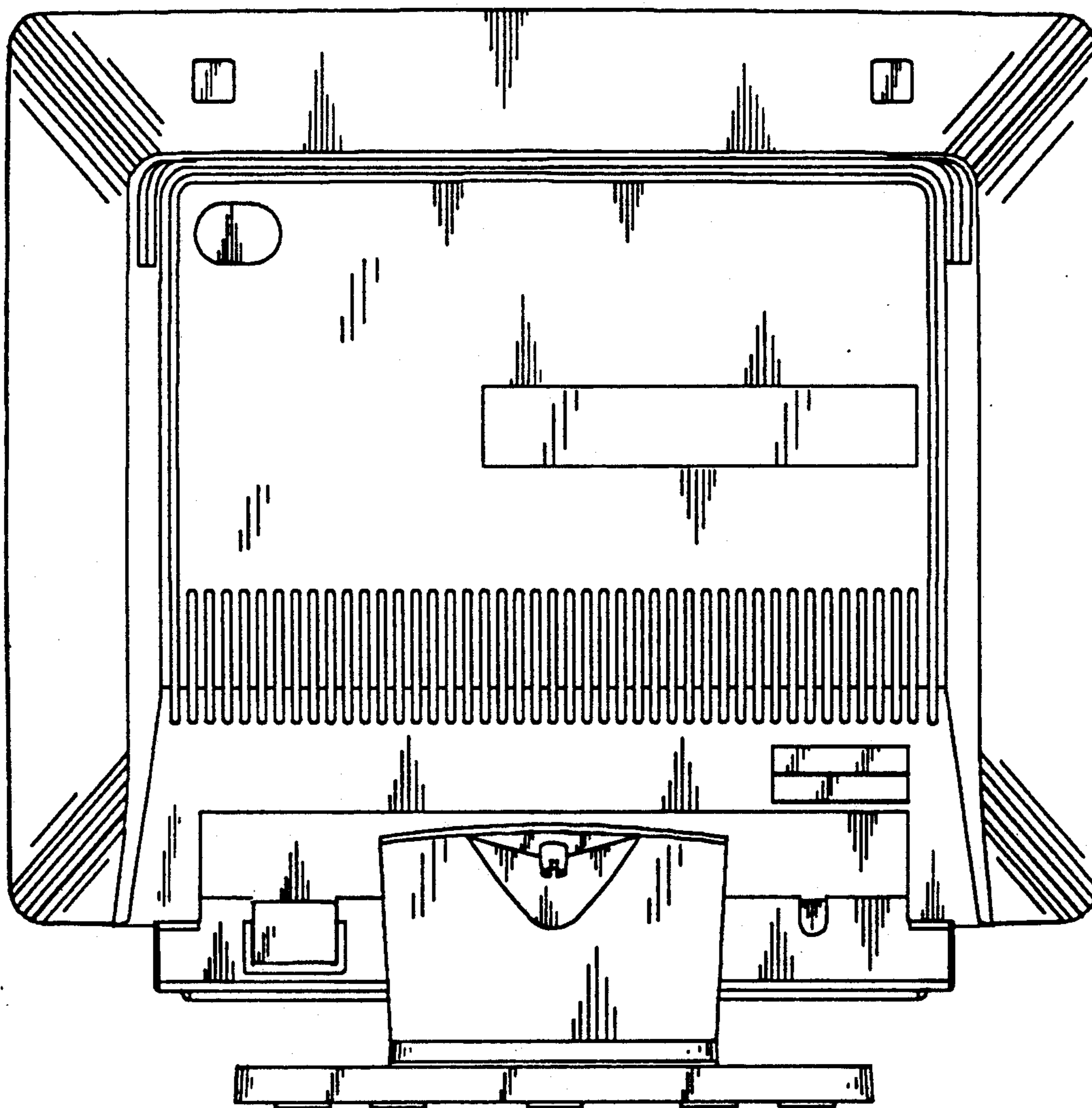


FIG. 4

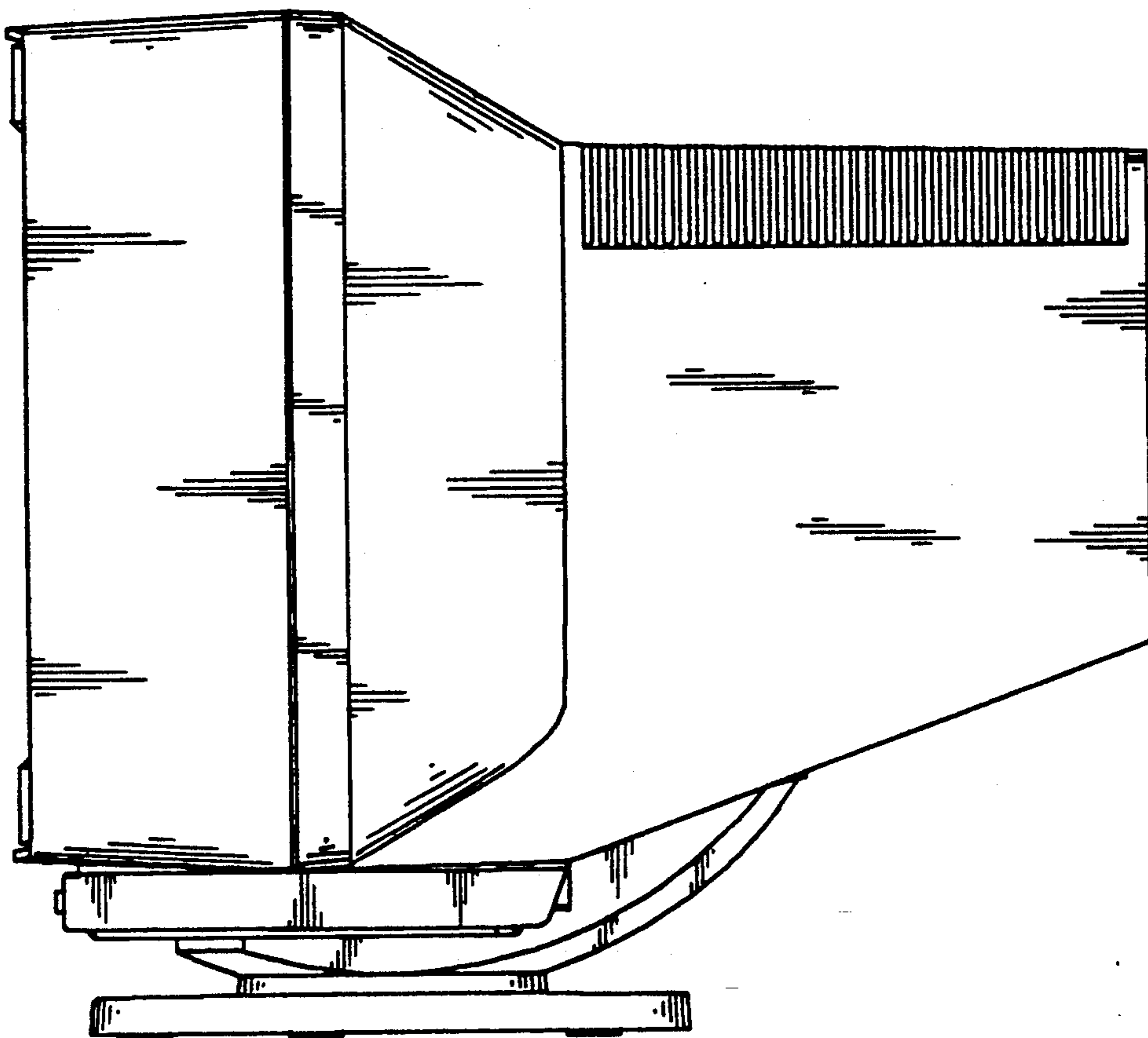


FIG. 5

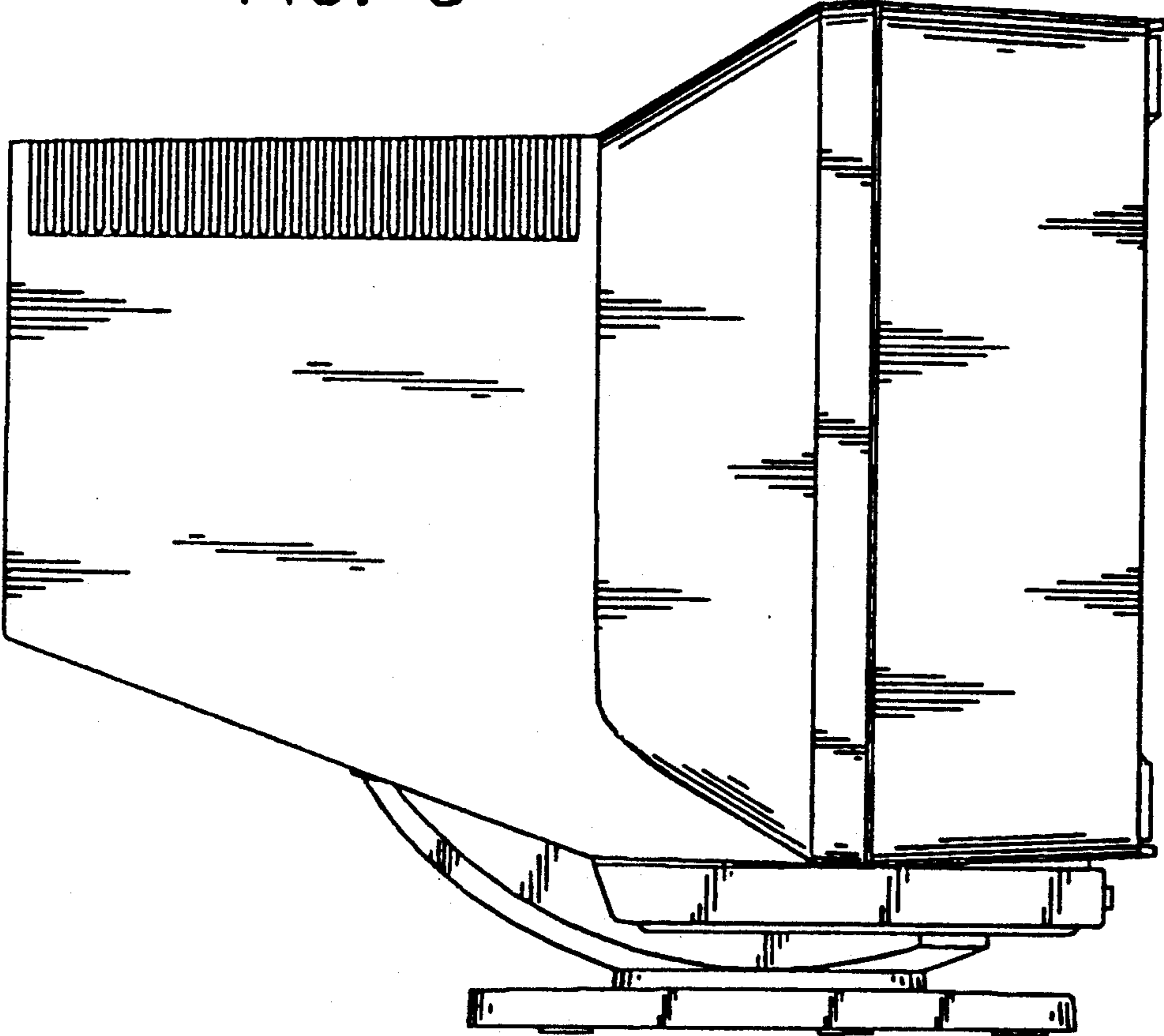


FIG. 6

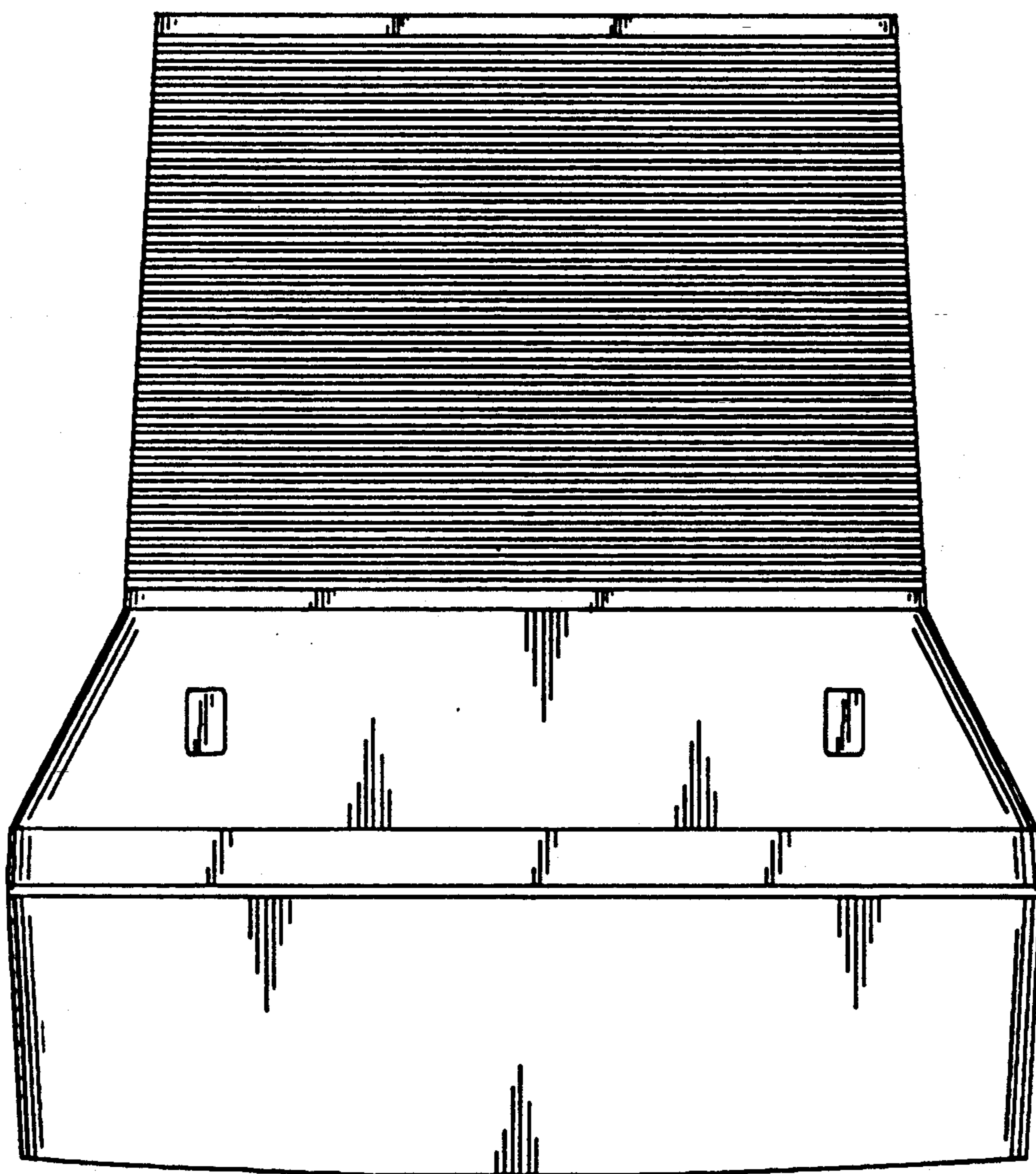


FIG. 7

