



US00D332779S

United States Patent [19]

Dean et al.

[11] Patent Number: **Des. 332,779**

[45] Date of Patent: **** Jan. 26, 1993**

[54] **COMPUTER CABINET**

[75] Inventors: **Steven J. Dean**, Chippewa Falls; **David M. Morton**, Eau Claire, both of Wis.; **Eugene N. Reshanov**, Golden Valley; **Eric J. Mueller**, St. Paul, both of Minn.

[73] Assignee: **Cray Research Inc.**, Chippewa Falls, Wis.

[**] Term: **14 Years**

[21] Appl. No.: **649,945**

[22] Filed: **Feb. 4, 1991**

D. 201,887 8/1965 Bozarth D14/102
D. 205,511 8/1966 Dalton et al. D14/104

OTHER PUBLICATIONS

Datamation, Jul. 1989 p. 68-20, NEC's SX-3 Super-computer.

Primary Examiner—Wallace R. Burke
Assistant Examiner—Freda S. Nunn
Attorney, Agent, or Firm—Merchant, Gould, Smith, Edell, Welter & Schmidt

[57] CLAIM

The ornamental design for a computer cabinet, as shown and described.

DESCRIPTION

FIG. 1 is a top rear and right side perspective view of a computer cabinet showing our new design; FIG. 2 is a top front and left side perspective view thereof; FIG. 3 is a right side elevational view thereof; FIG. 4 is a left side elevational view thereof; FIG. 5 is a front elevational view thereof; FIG. 6 is a rear elevational view thereof; and, FIG. 7 is a top plan view thereof. The connecting cabinet is shown in broken lines in the figures for illustrative purposes only and forms no part of the claimed design.

Related U.S. Application Data

[63] Continuation of Ser. No. 391,371, Aug. 8, 1989, Pat. No. Des. 314,948.

[52] U.S. Cl. **D14/102**

[58] Field of Search D14/100, 102, 103, 104, D14/108, 109; D6/432, 510, 511; 360/92; 361/390-395; 312/208, 315, 282, 257.1; D13/184, 199

References Cited

U.S. PATENT DOCUMENTS

D. 201,886 8/1965 Bozarth D14/102

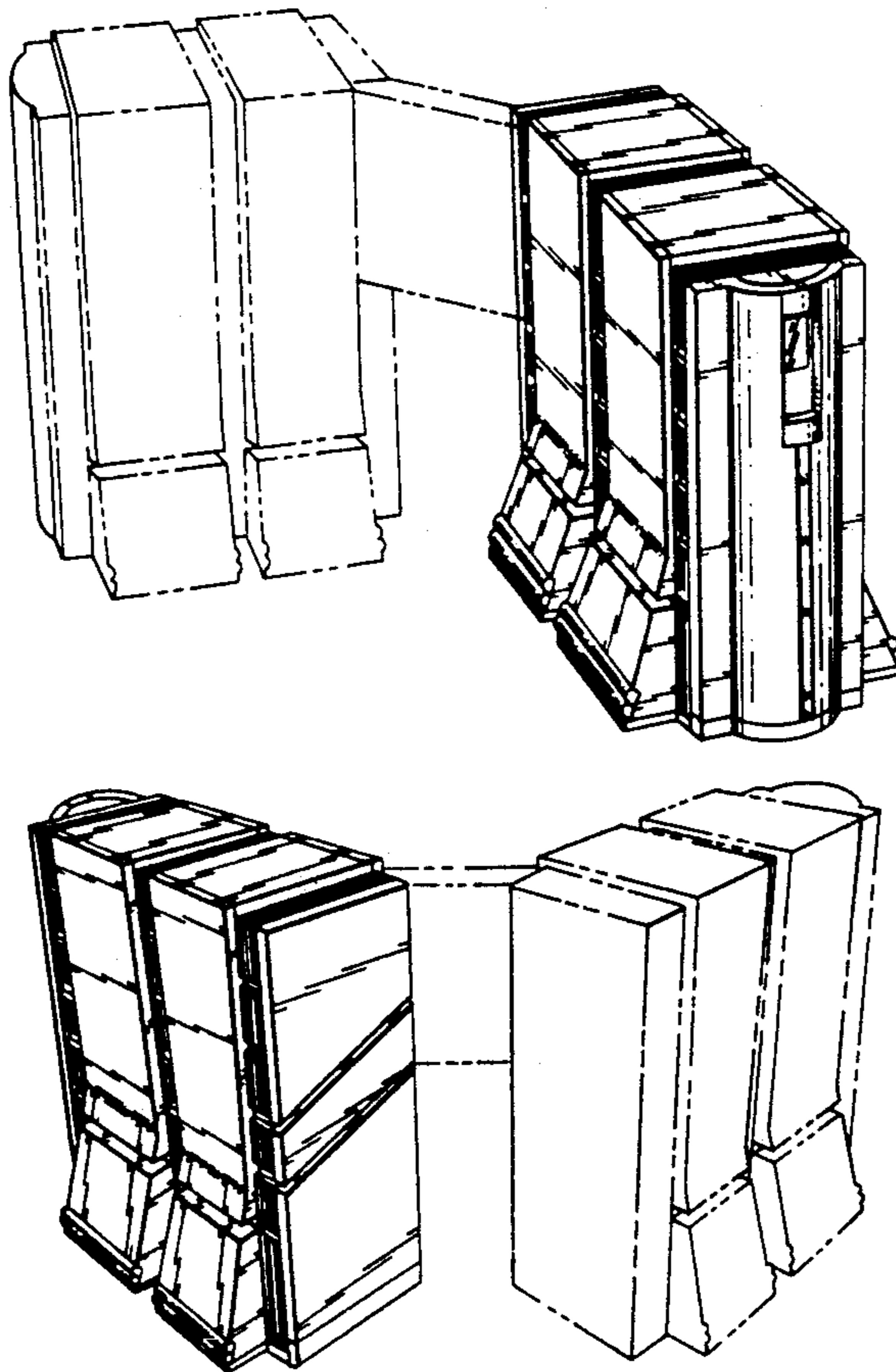


FIG. 1

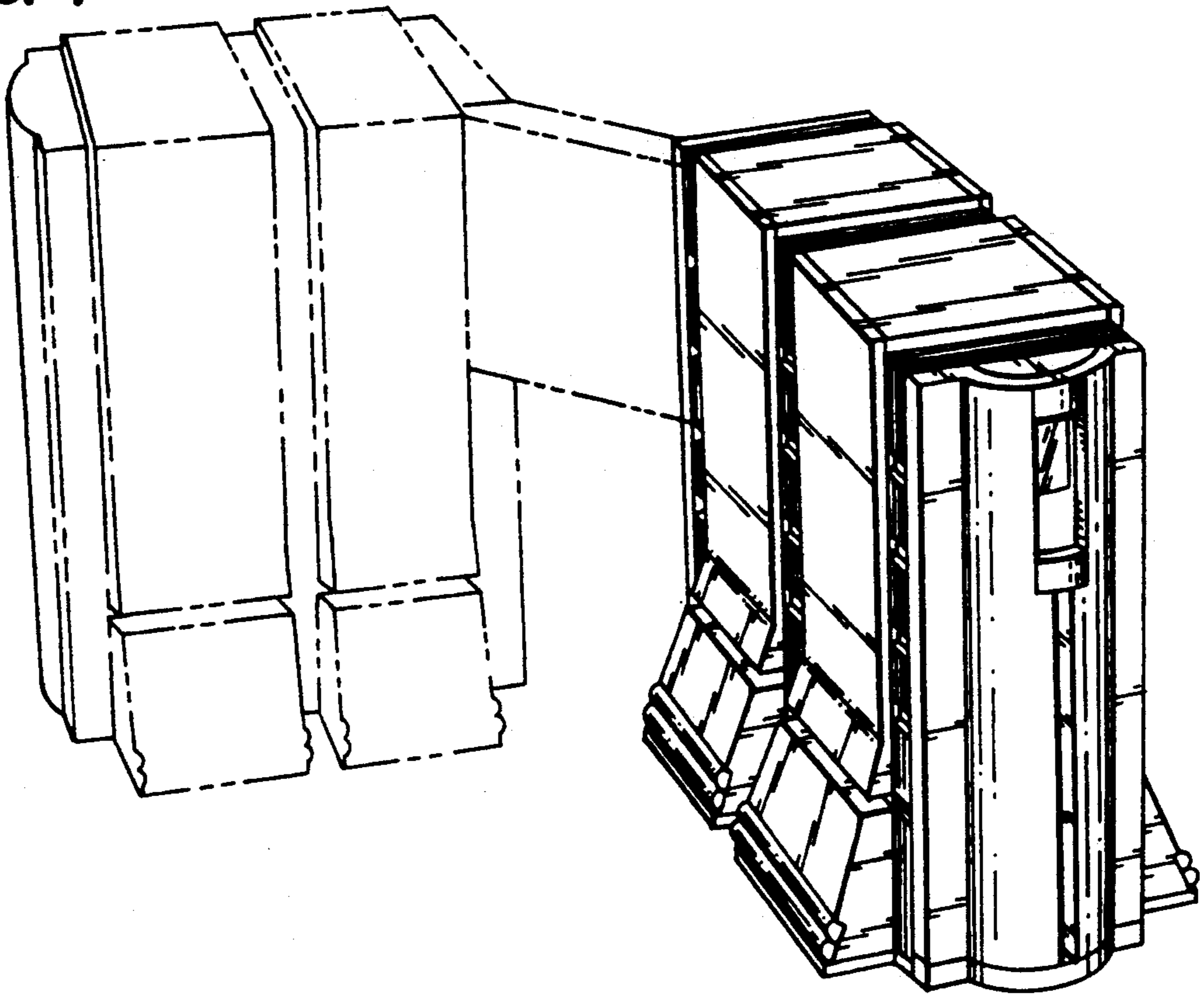


FIG. 3

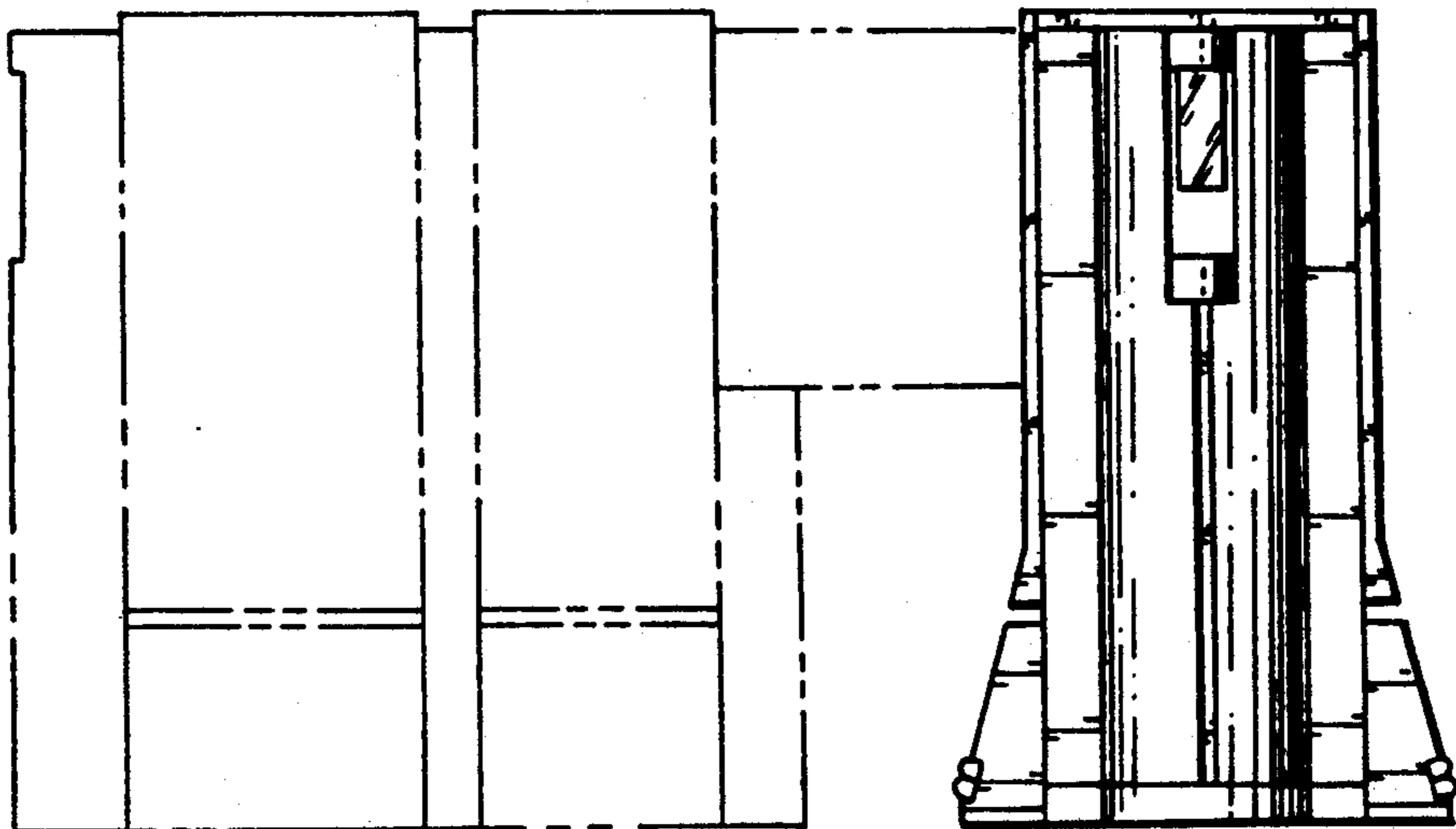


FIG. 2

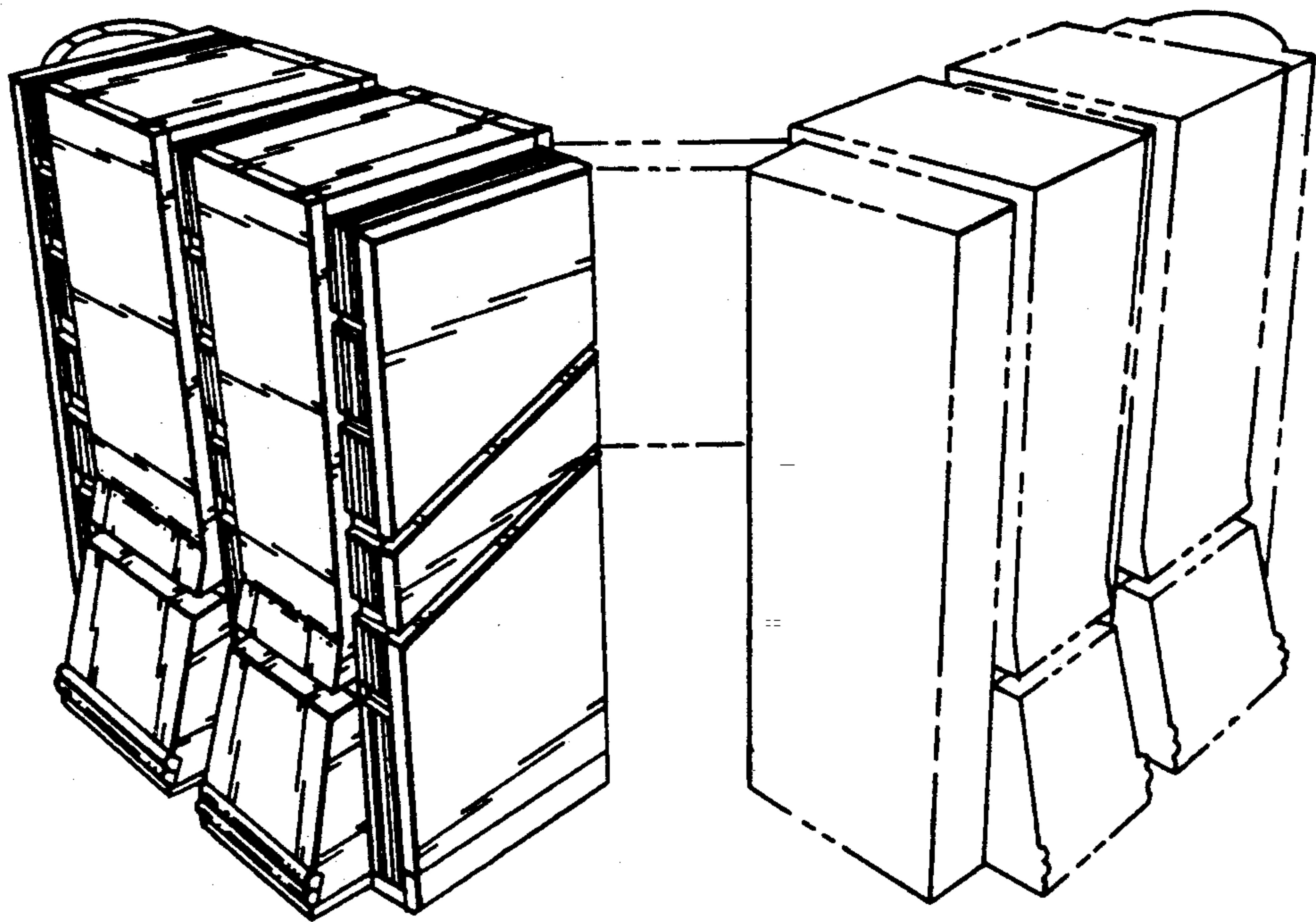


FIG. 4

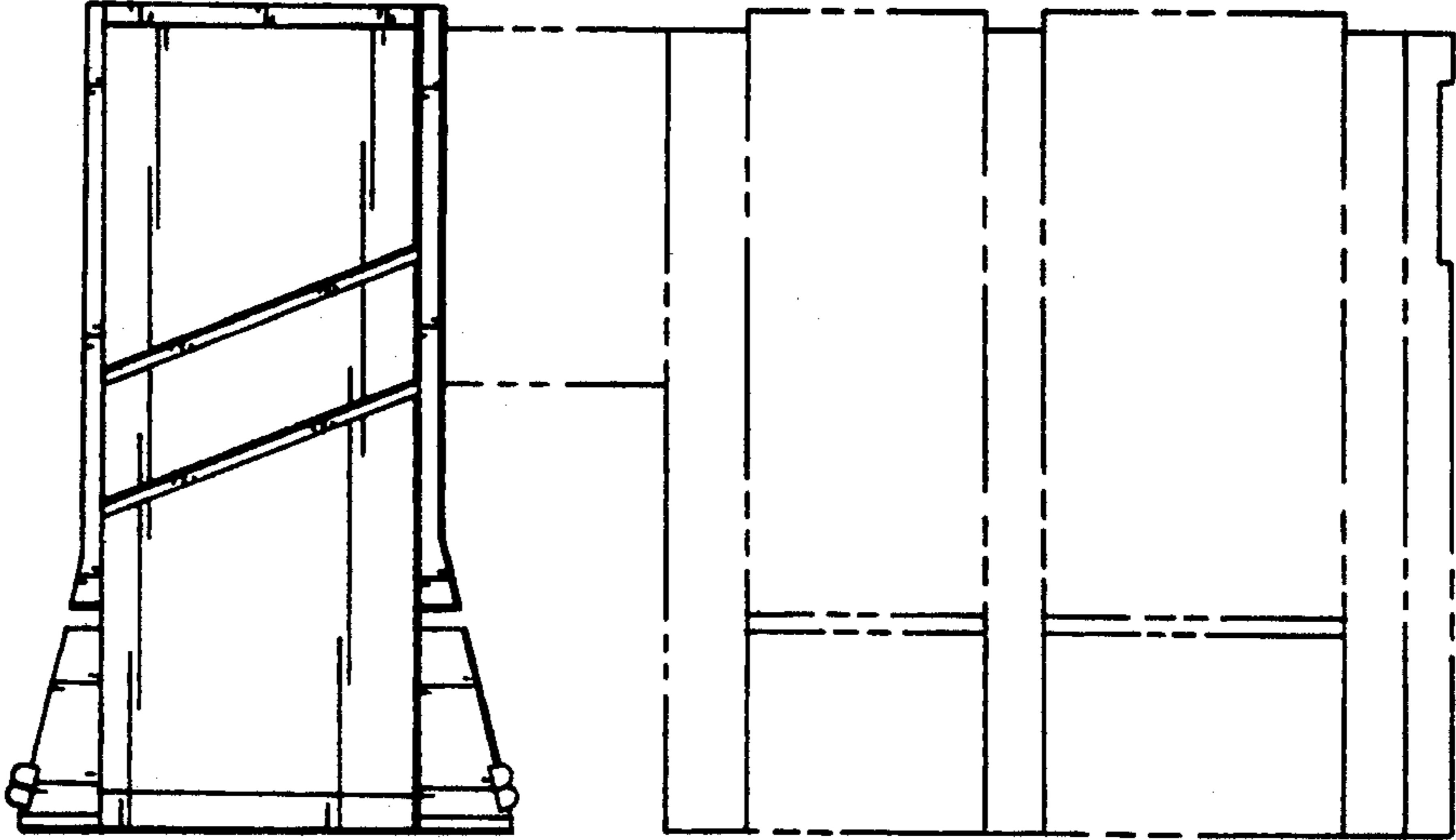


FIG. 5

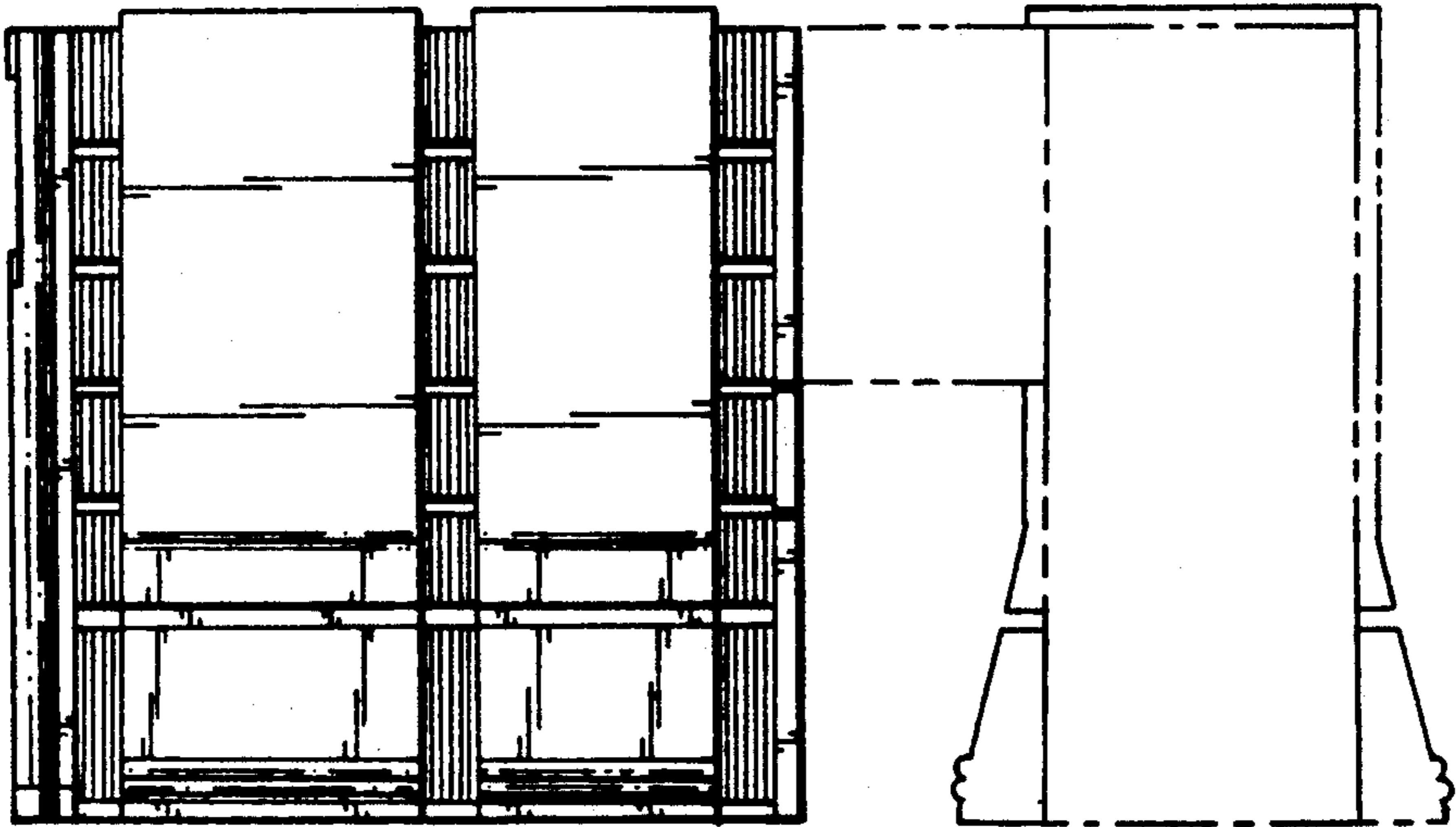


FIG. 6

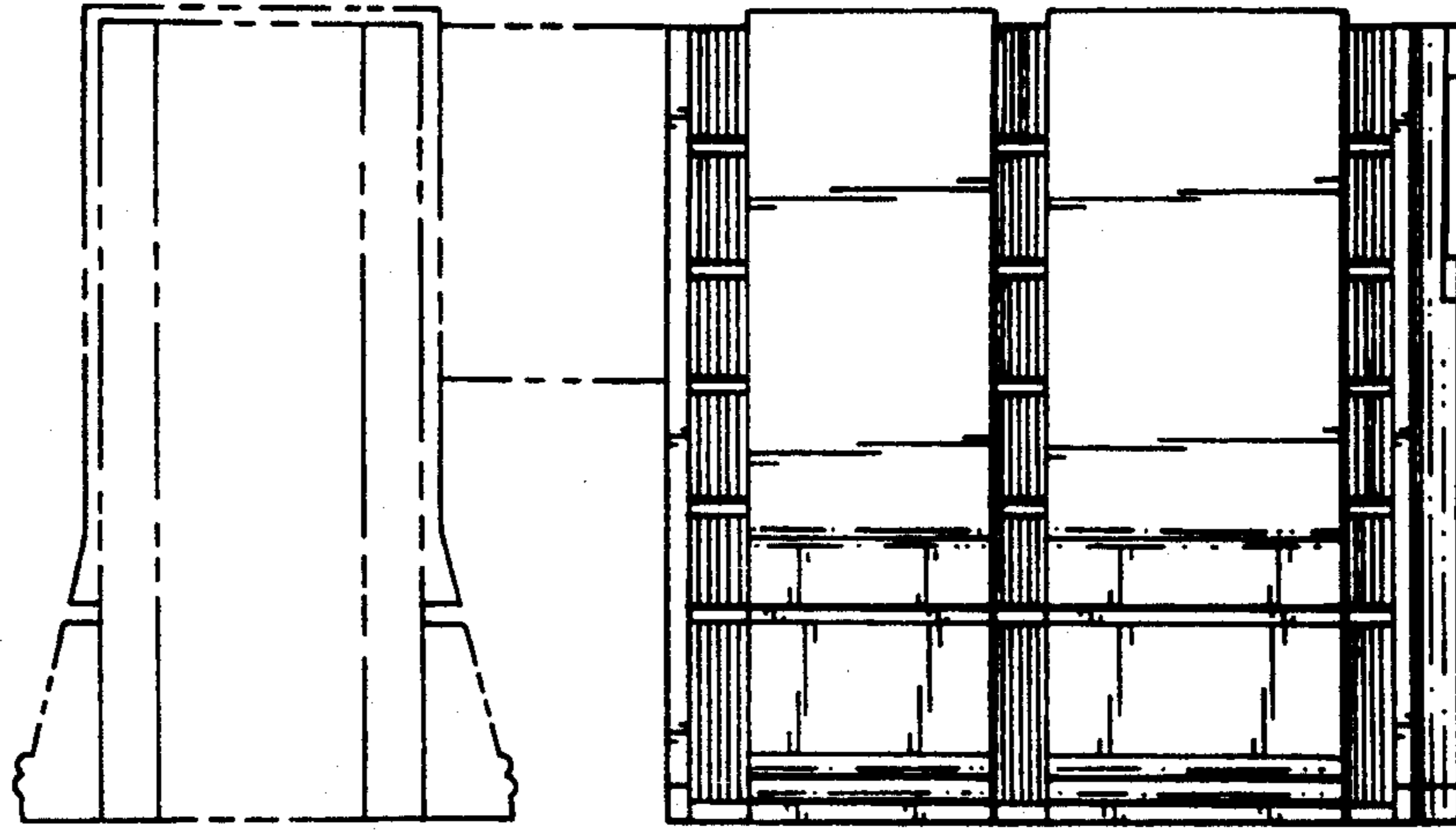


FIG. 7

