



US00D332774S

United States Patent [19]

[11] Patent Number: **Des. 332,774**

Watanabe et al.

[45] Date of Patent: **** Jan. 26, 1993**

[54] **ELECTRIC CONNECTOR HOUSING**

[75] Inventors: **Hiroshi Watanabe; Mari Harada,**
both of Shizuoka, Japan

[73] Assignee: **Yazaki Corporation,** Tokyo, Japan

[**] Term: **14 Years**

[21] Appl. No.: **449,734**

[22] Filed: **Dec. 13, 1989**

[30] **Foreign Application Priority Data**

Jul. 20, 1989 [JP] Japan 1-26610

[52] U.S. Cl. **D13/147**

[58] Field of Search **D13/133, 146, 147;**
439/271, 275, 279, 282, 293, 297, 350, 352, 353,
357, 358, 571, 586, 587, 589, 595, 596, 598, 600,
680, 682, 685, 686, 687, 695, 701, 724, 744, 748,
752

[56] **References Cited**

U.S. PATENT DOCUMENTS

4,734,052 3/1988 Vandame 439/293
4,787,864 11/1988 Hunt, III et al. 439/595
4,938,710 7/1990 Aihara et al. 439/357 X

FOREIGN PATENT DOCUMENTS

0921565 3/1963 United Kingdom 439/680

Primary Examiner—Wallace R. Burke

Assistant Examiner—Joel Sincavage
Attorney, Agent, or Firm—Armstrong, Westerman,
Hattori, McLeland & Naughton

[57] **CLAIM**

The ornamental design for an electrical connector housing, as shown and described.

DESCRIPTION

FIG. 1 is a top plan view of an electrical connector housing showing our new design; FIG. 2 is a front elevational view thereof; FIG. 3 is a bottom plan view thereof; FIG. 4 is a left side elevational view thereof; FIG. 5 is a right side elevational view thereof; FIG. 6 is a rear elevational view thereof; FIG. 7 is a cross-sectional view thereof taken along line 7-7 of FIG. 2; FIG. 8 is a cross-sectional view thereof taken along line 8-8 of FIG. 2; FIG. 9 is a cross-sectional view thereof taken along line 9-9 of FIG. 2; FIG. 10 is a cross-sectional view thereof taken along line 7-7 of FIG. 2 shown coupled with another connector housing. The broken line showing of the coupled housing is included for the purpose of illustrating environmental elements only and forms no part of the claimed design; and, FIG. 11 is a perspective view thereof as seen from the rear and upper left.

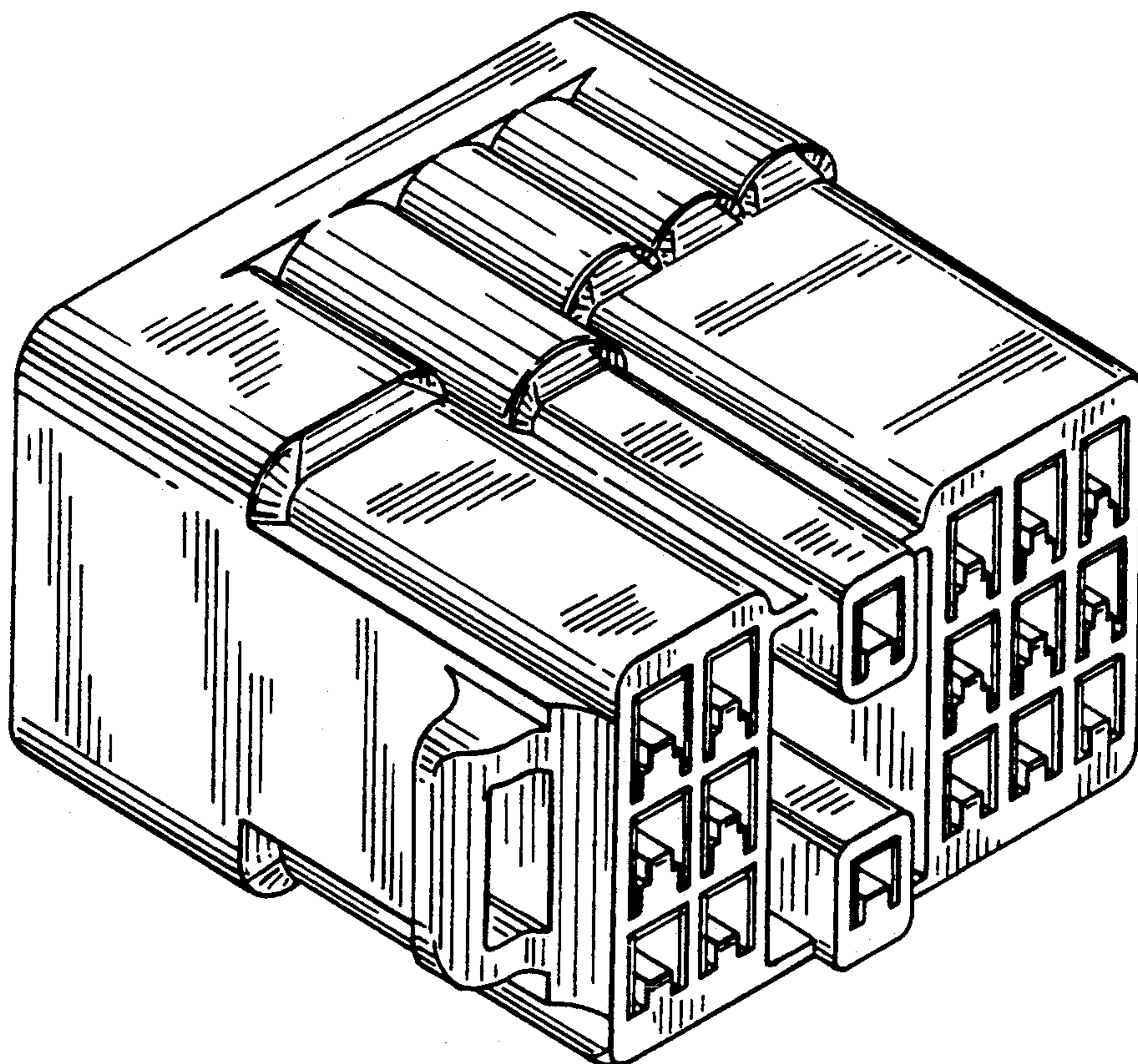


FIG. 1

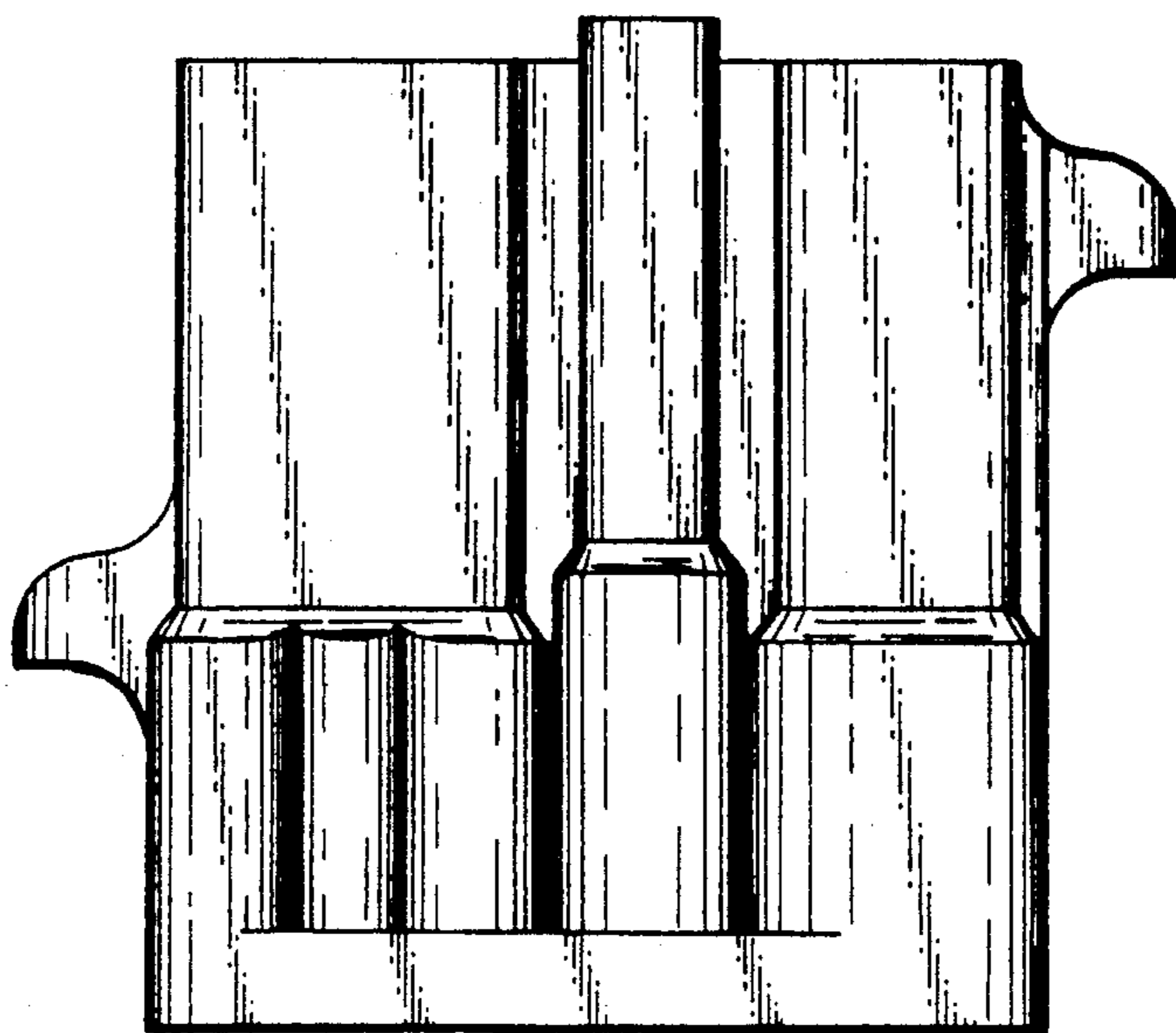


FIG. 2

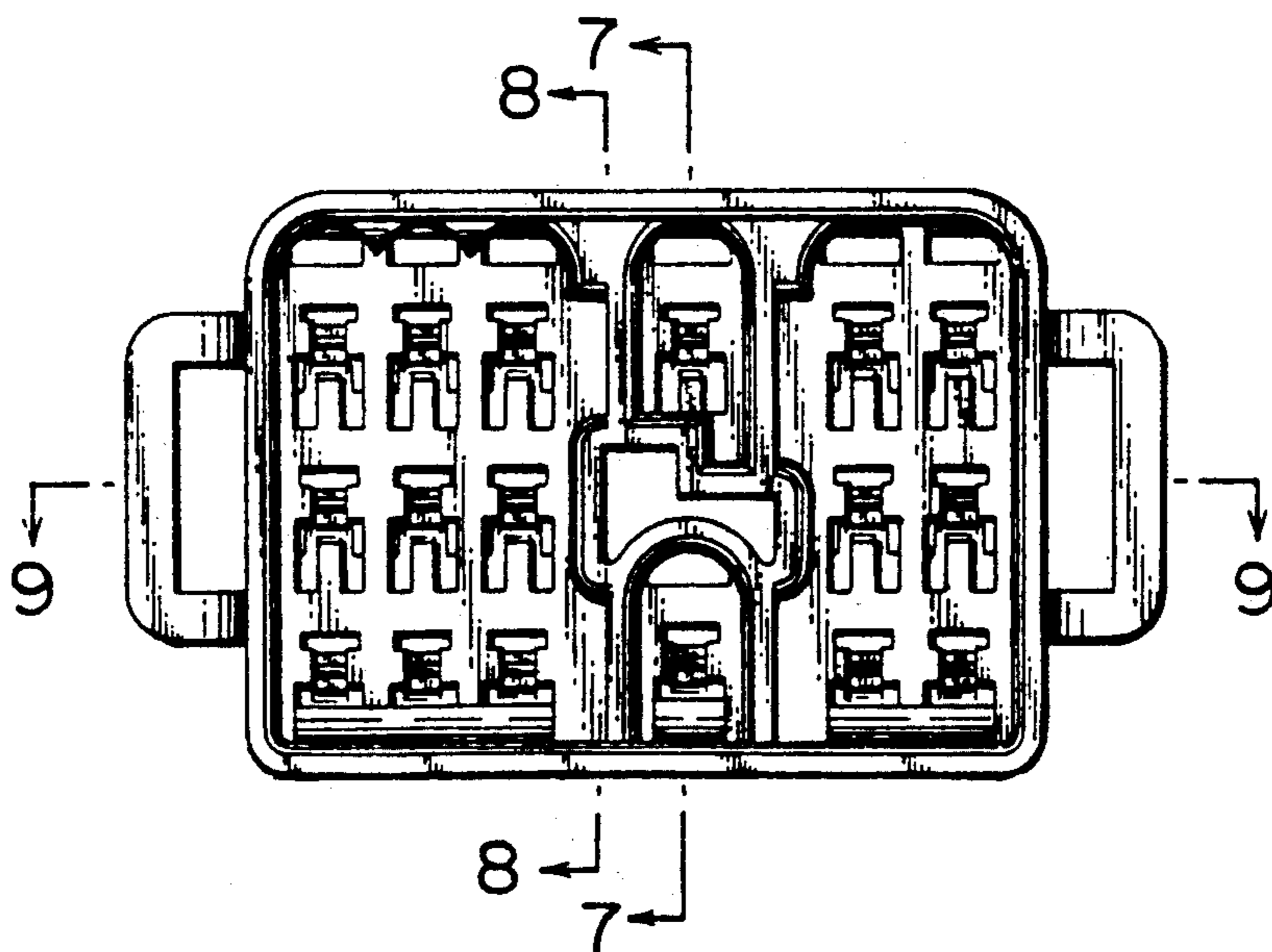


FIG. 3

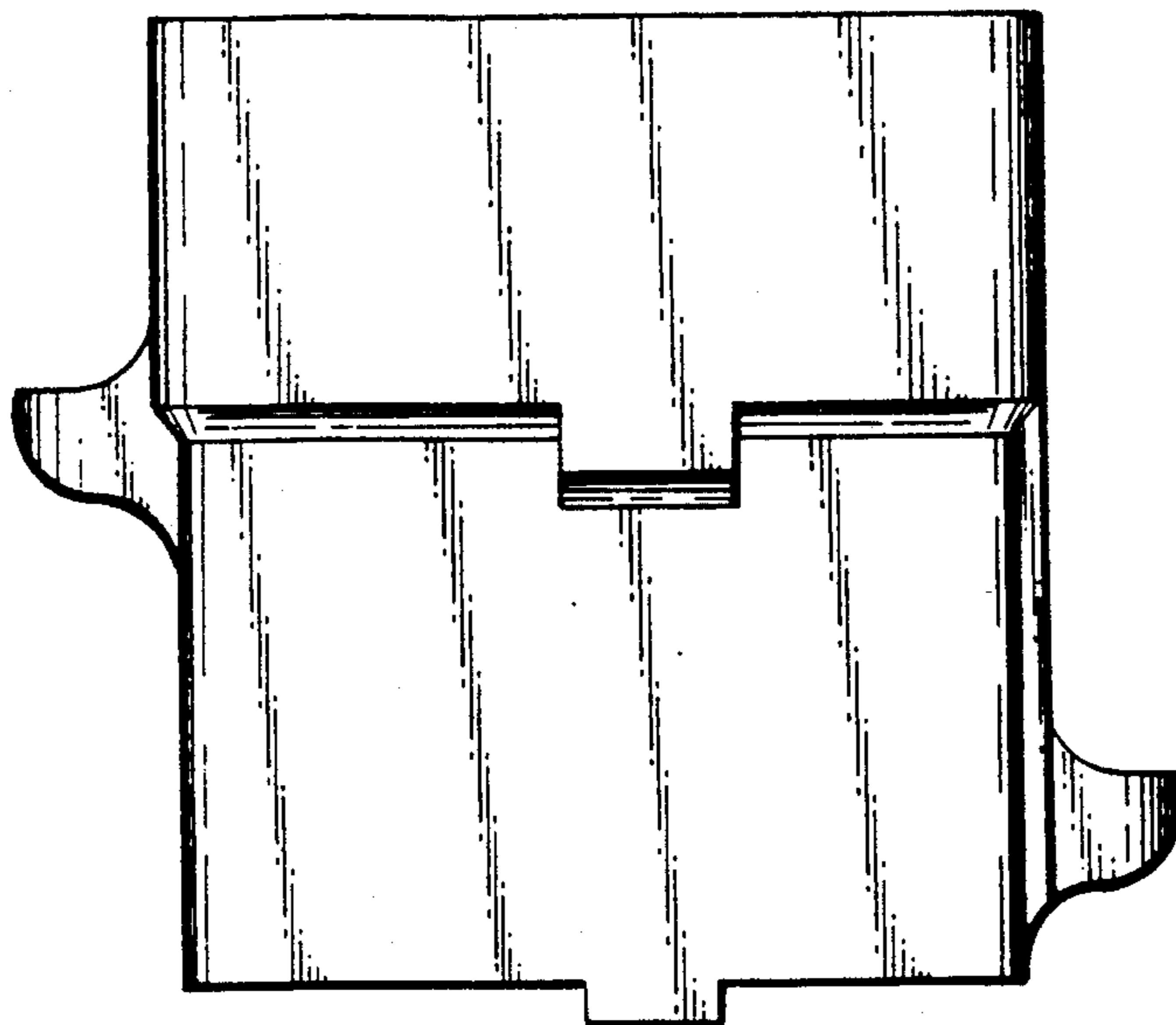


FIG. 4

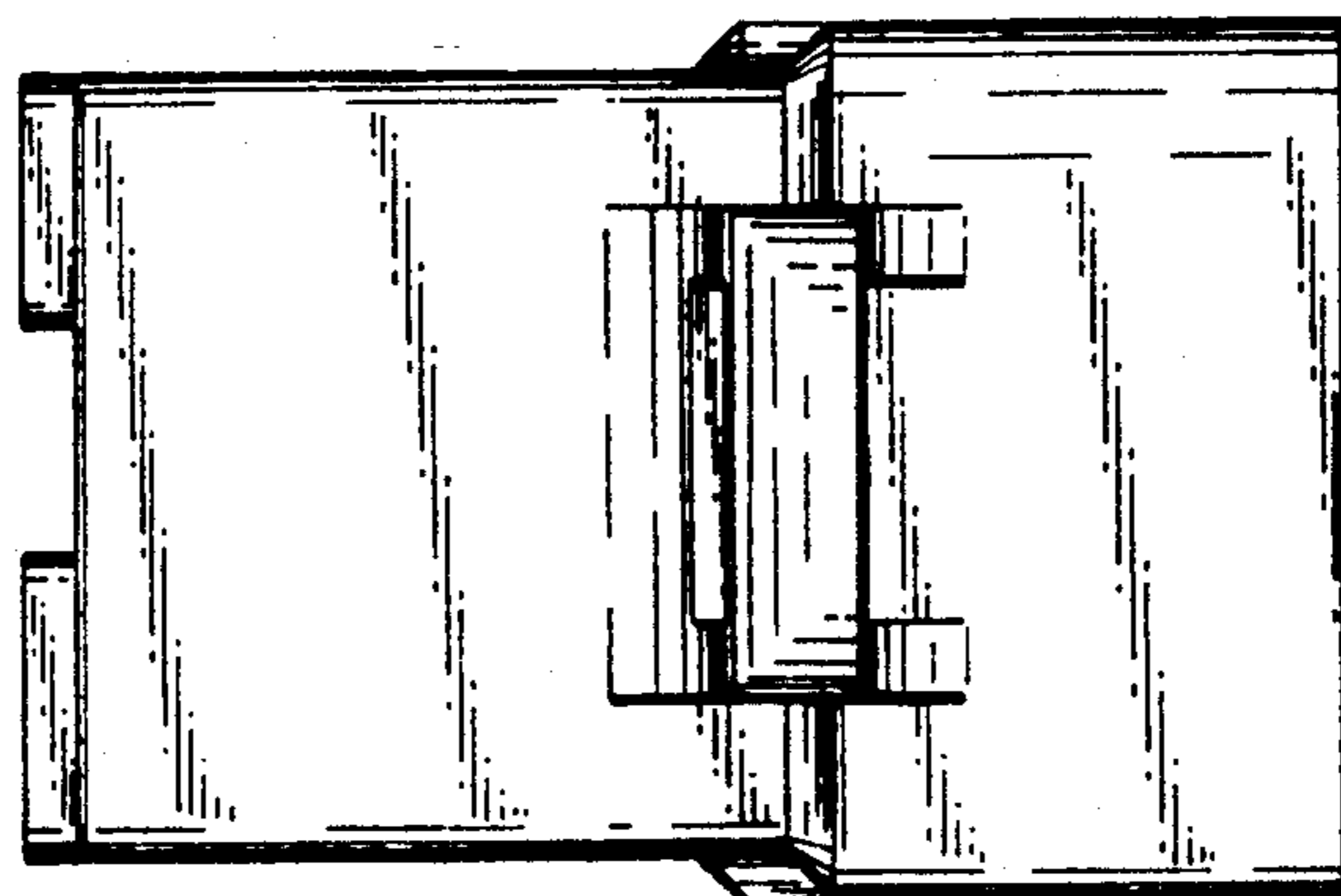


FIG. 5

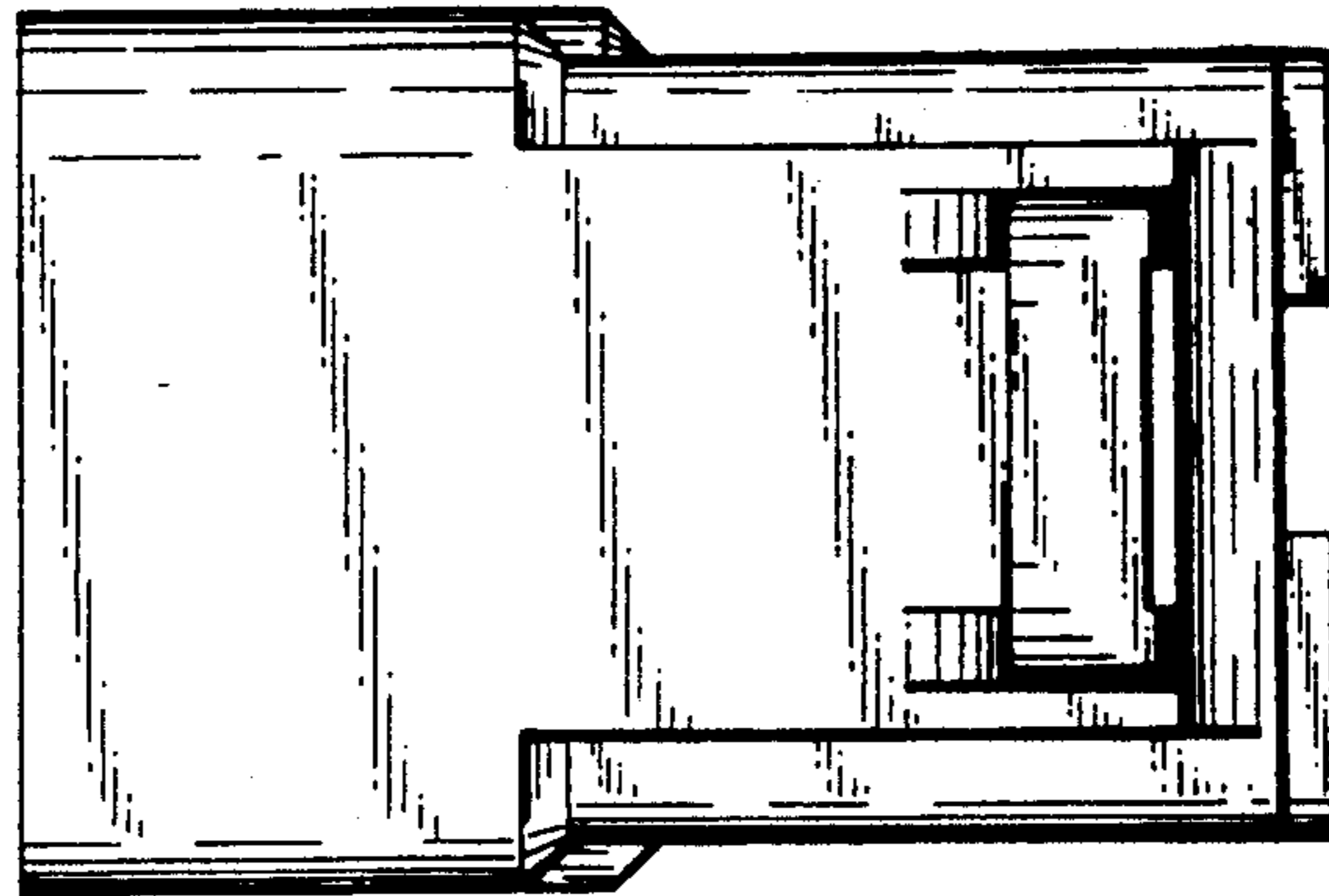


FIG. 6

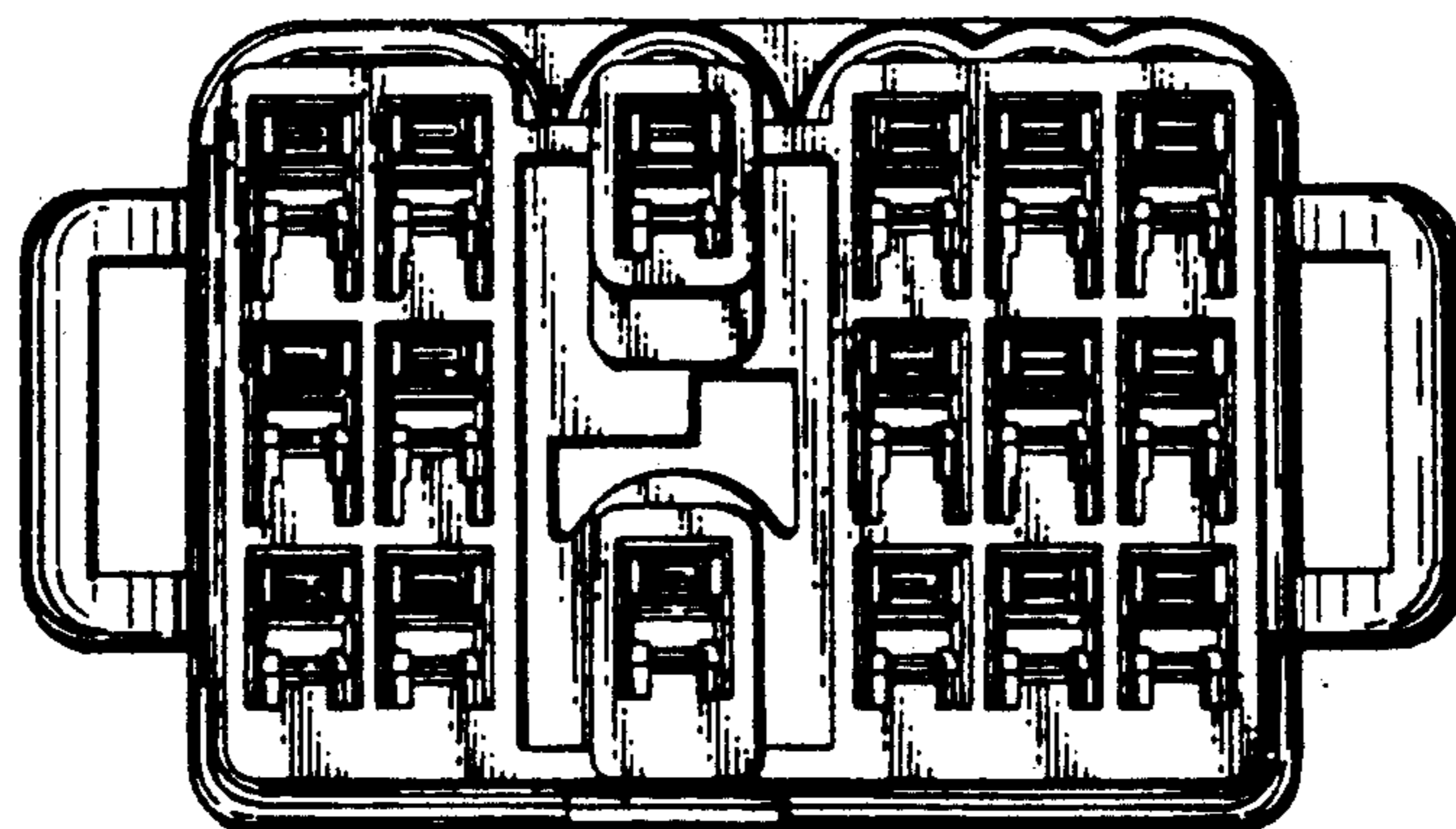


FIG. 7

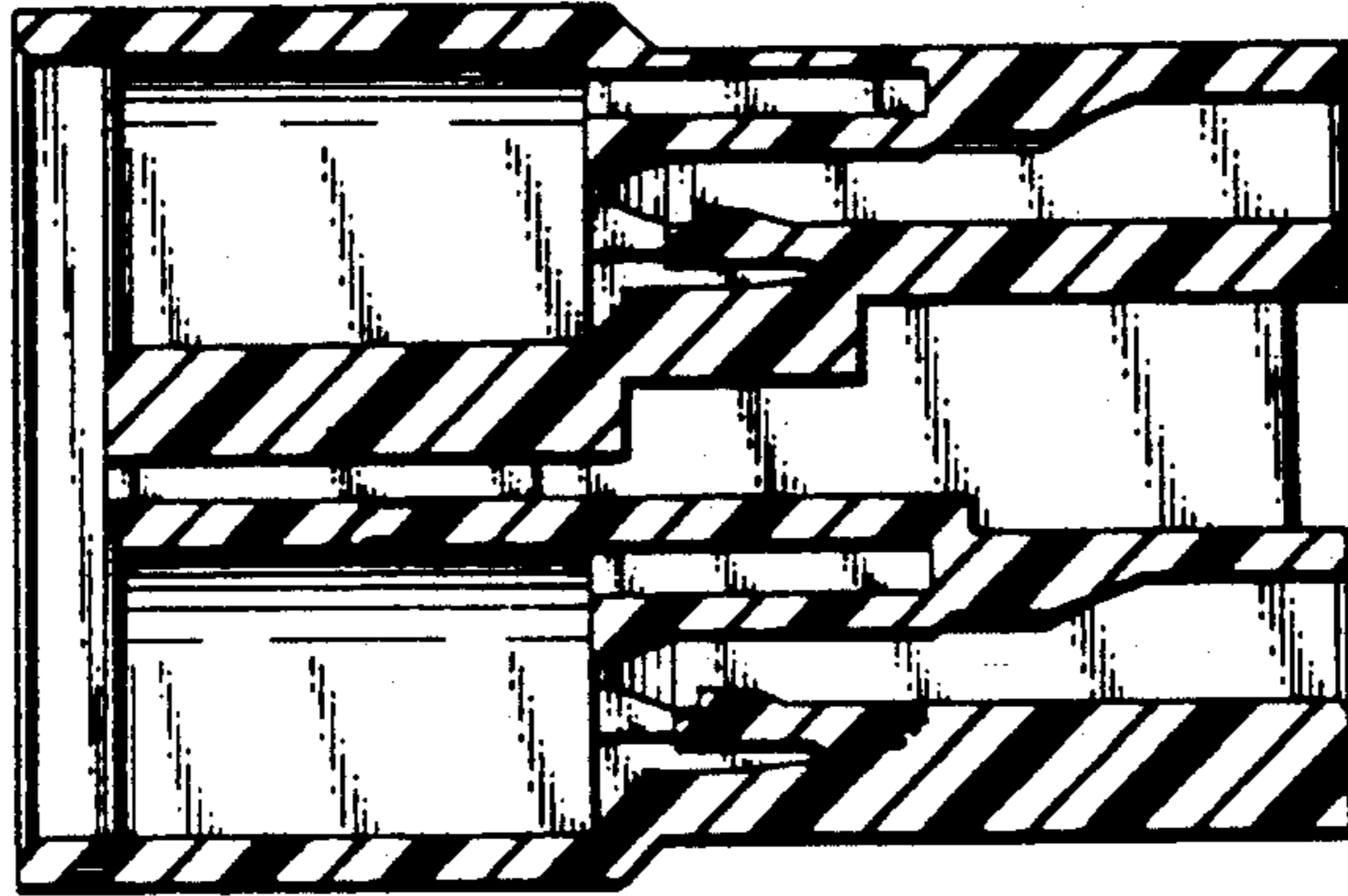


FIG. 8

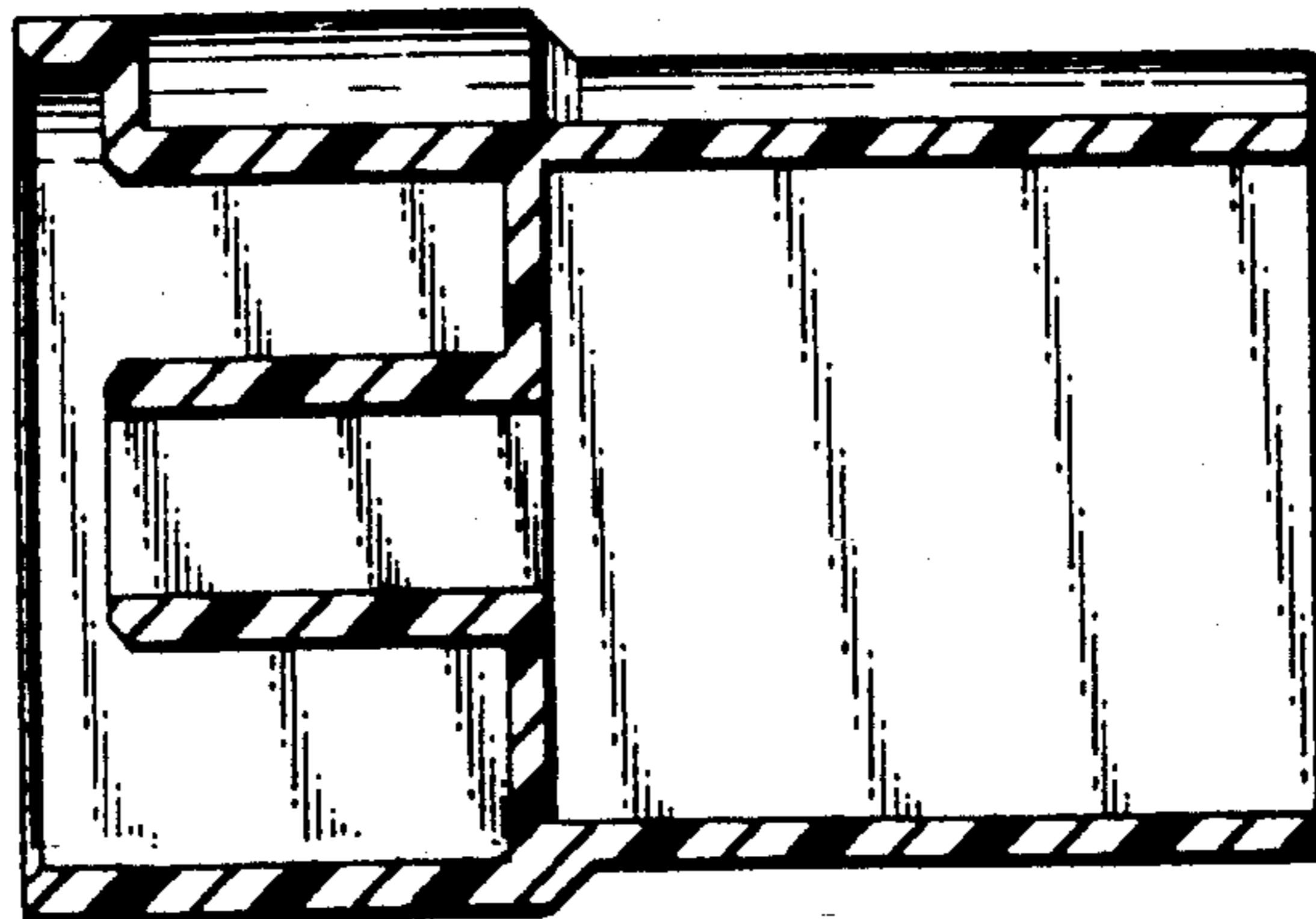


FIG. 9

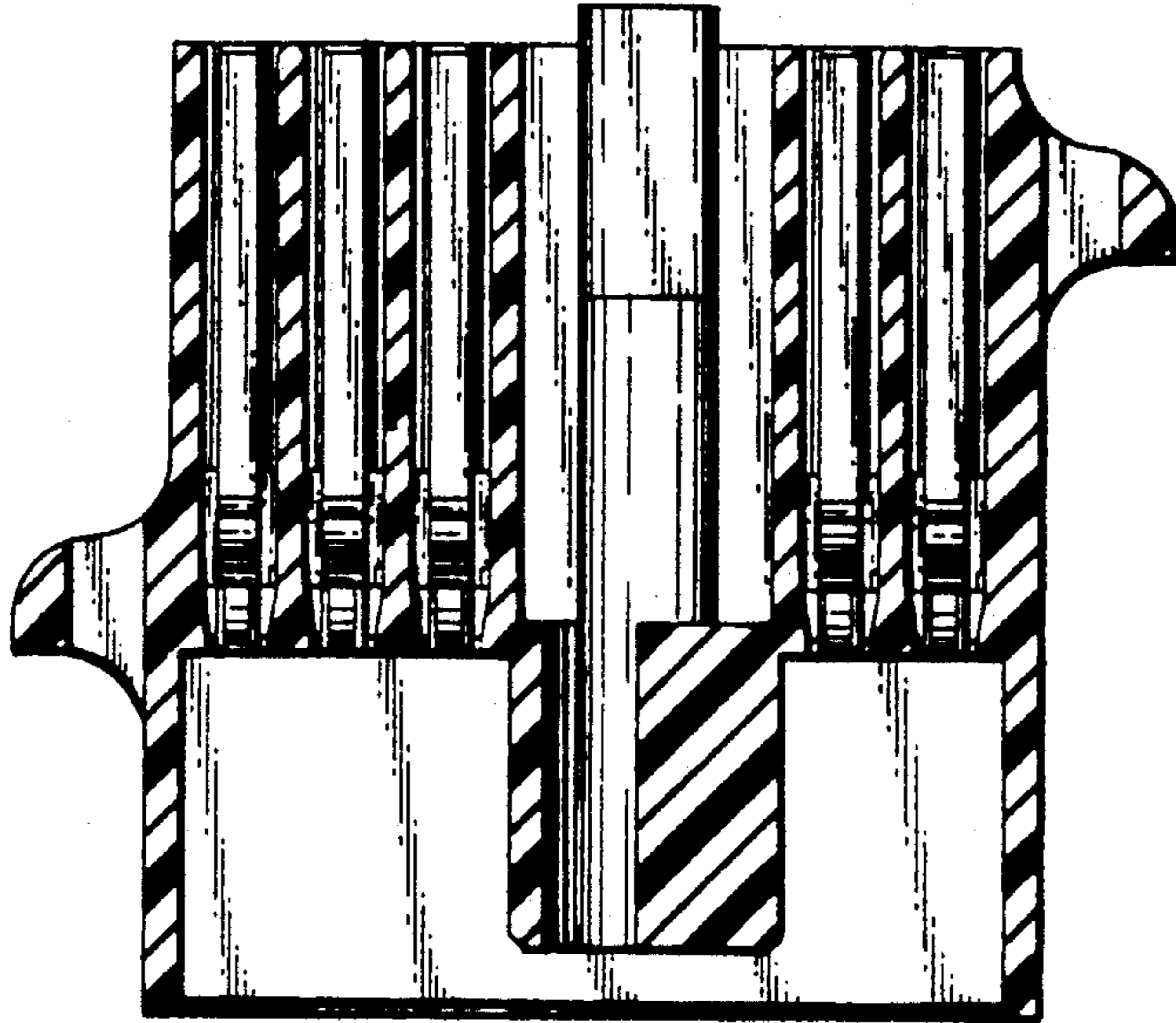
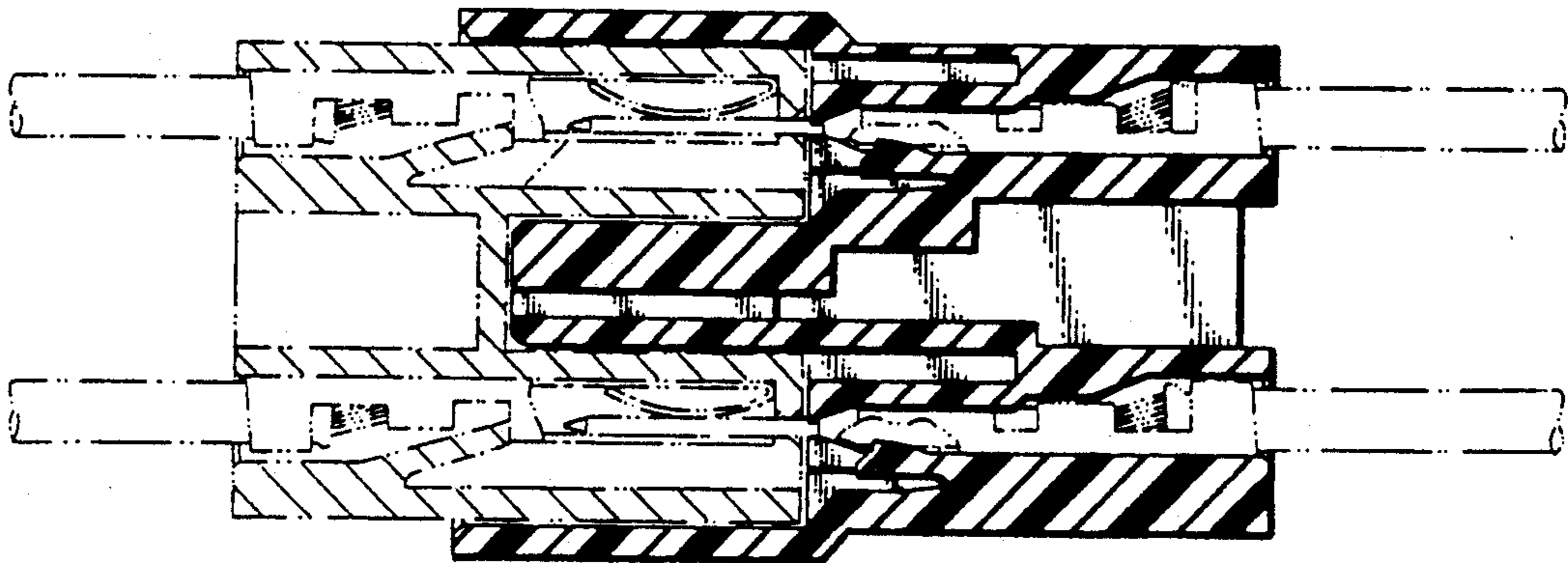


FIG. 10



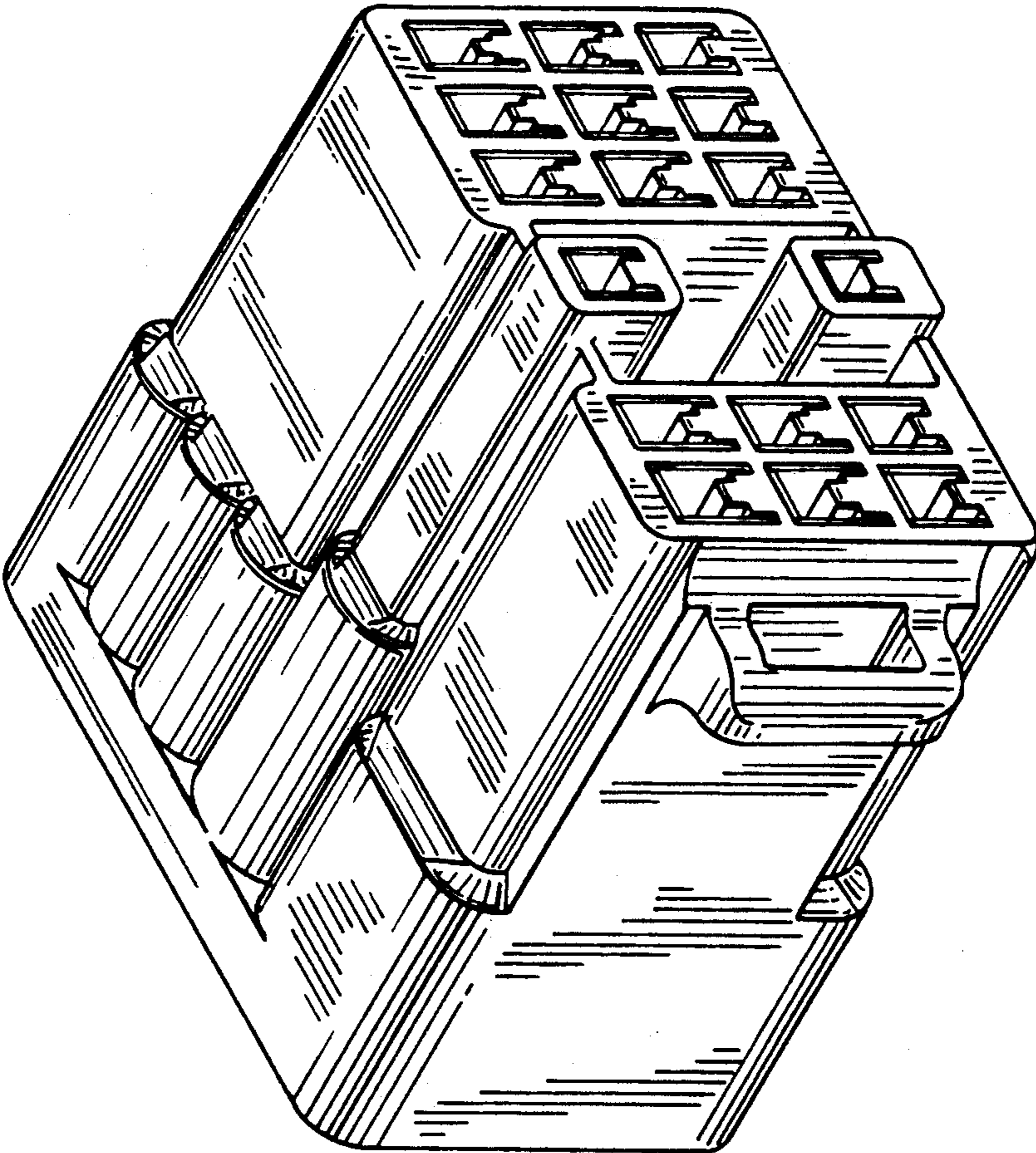


FIG.11