



US00D332773S

# United States Patent [19]

Sato et al.

[11] Patent Number: **Des. 332,773**

[45] Date of Patent: **\*\* Jan. 26, 1993**

[54] **TERMINAL FOR AN ELECTRICAL CONNECTOR**

[75] Inventors: **Kensaku Sato; Naohisa Nakata**, both of Tokyo, Japan

[73] Assignee: **Hirose Electric Co., Ltd.**, Tokyo, Japan

[\*\*] Term: **14 Years**

[21] Appl. No.: **668,467**

[22] Filed: **Mar. 13, 1991**

[30] **Foreign Application Priority Data**

Sep. 14, 1990 [JP] Japan ..... 2-30768

[52] U.S. Cl. .... **D13/149; D13/133**

[58] Field of Search ..... **D13/133, 148, 149; 439/732, 844, 865, 866, 867, 884**

[56] **References Cited**

**U.S. PATENT DOCUMENTS**

- D. 290,109 6/1987 Justiano et al. .... D13/149
- 3,546,663 12/1970 Holmberg, Jr. .... 439/867 X
- 3,864,004 2/1975 Friend ..... 439/844

- 4,030,804 6/1977 Enomoto ..... 439/884
- 4,032,215 6/1977 Jarmofsky ..... 439/867 X
- 4,061,406 12/1977 Kunkle ..... 439/732 X
- 4,932,877 6/1990 Zinn ..... D13/133 X

**FOREIGN PATENT DOCUMENTS**

- 0056278 6/1967 Fed. Rep. of Germany ..... 439/865

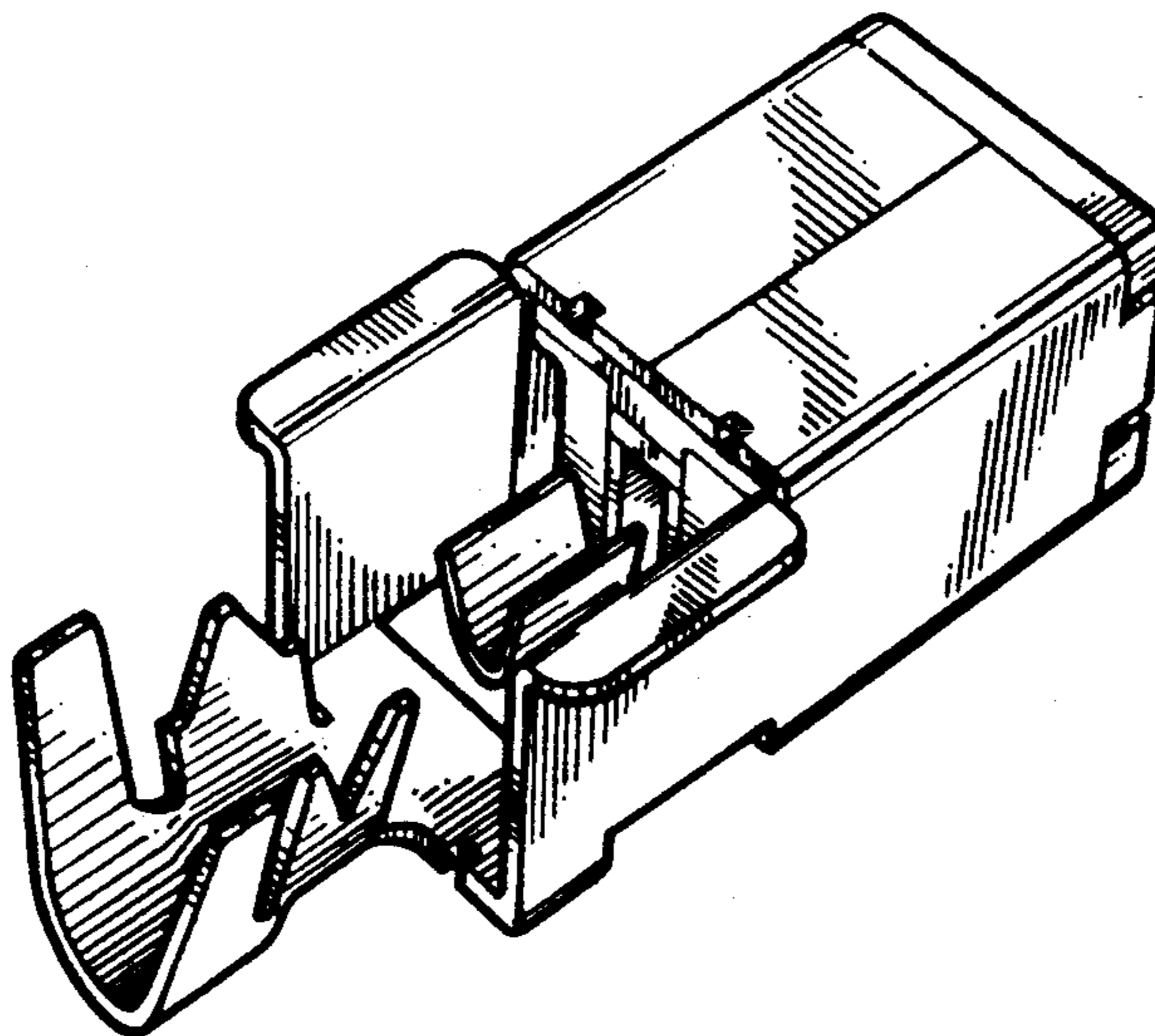
*Primary Examiner*—Wallace R. Burke  
*Assistant Examiner*—Joel Sincavage  
*Attorney, Agent, or Firm*—Kanesaka & Takeuchi

[57] **CLAIM**

The ornamental design for a electrical terminal for an electrical connector, as shown and described.

**DESCRIPTION**

FIG. 1 is a perspective view of a terminal for an electrical connector showing an embodiment of our new design;  
 FIG. 2 is a top plan view thereof;  
 FIG. 3 is a side elevational view thereof, the opposite side being a mirror image;  
 FIG. 4 is a bottom plan view thereof;  
 FIG. 5 is a front elevational view thereof; and,  
 FIG. 6 is a rear elevational view thereof.



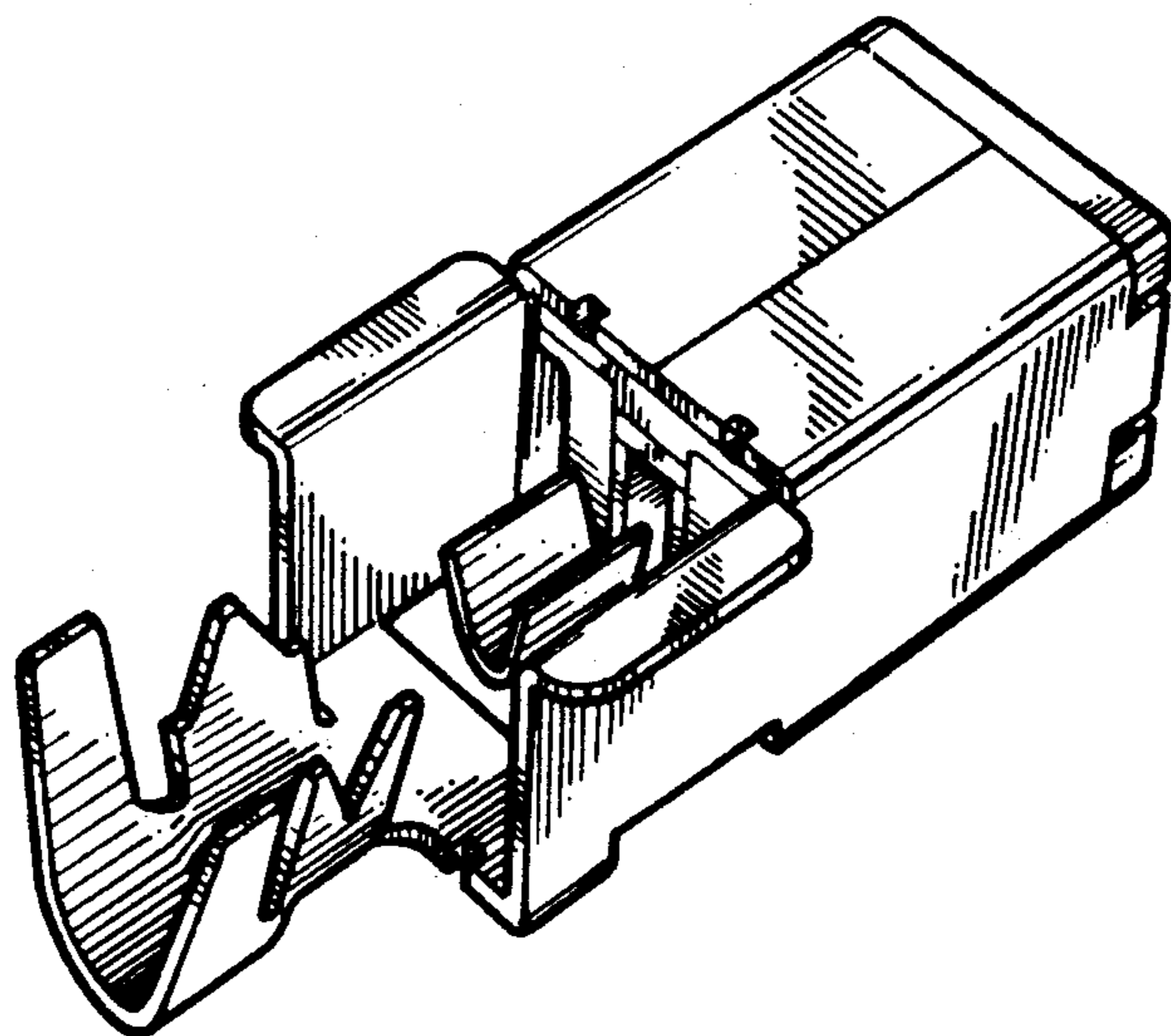


FIG. 1

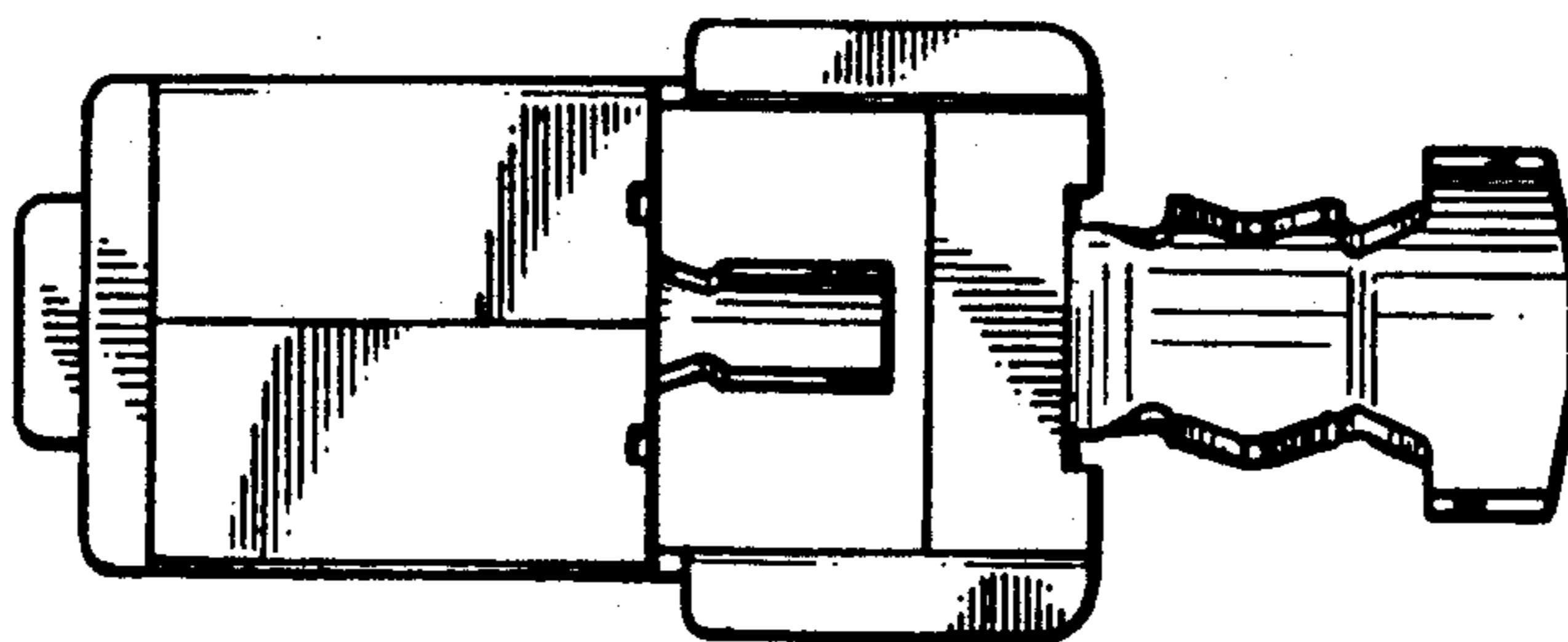


FIG. 2

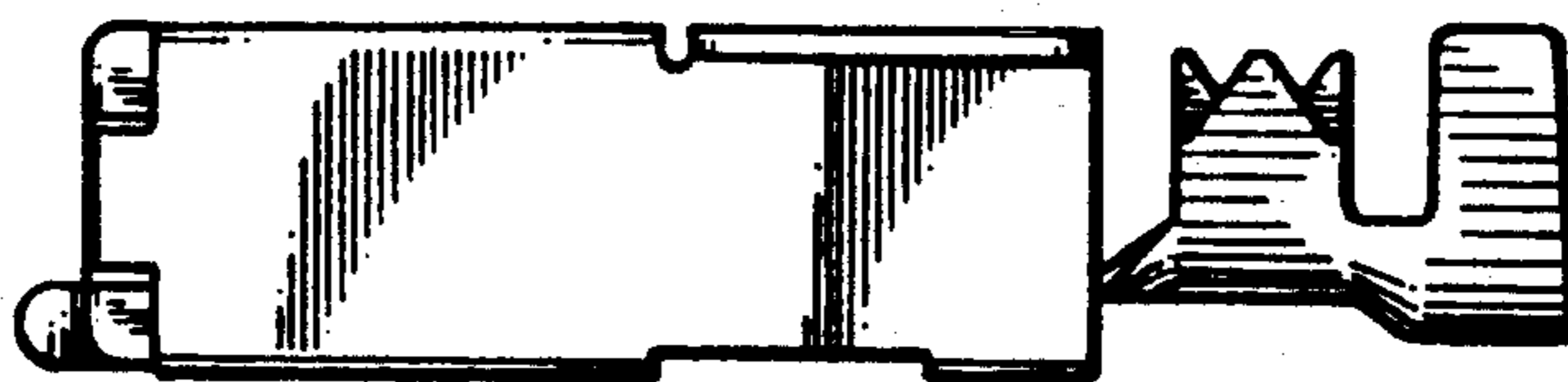


FIG. 3

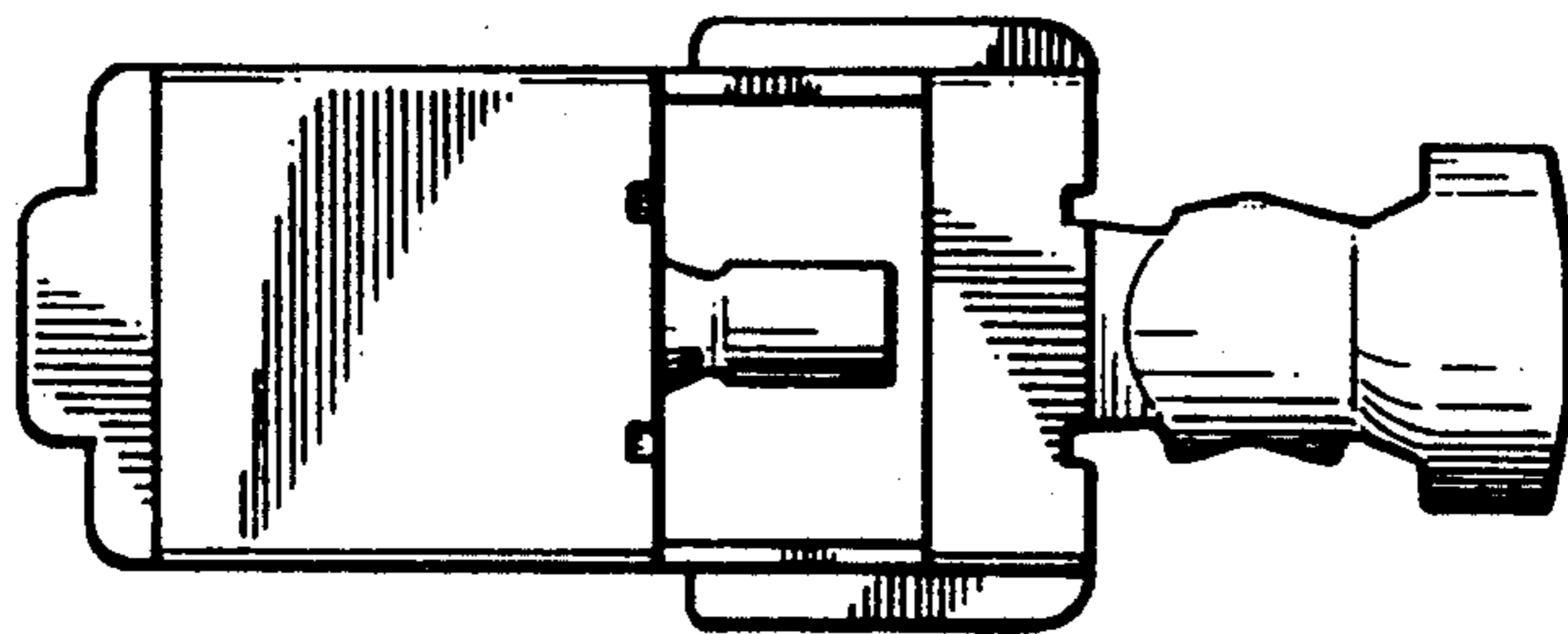


FIG. 4

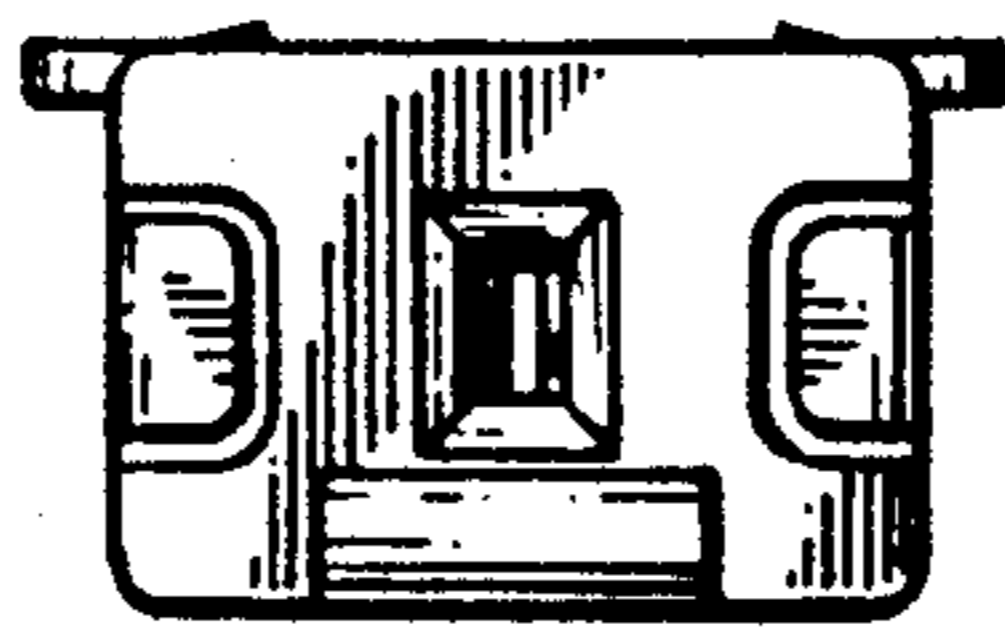


FIG. 5

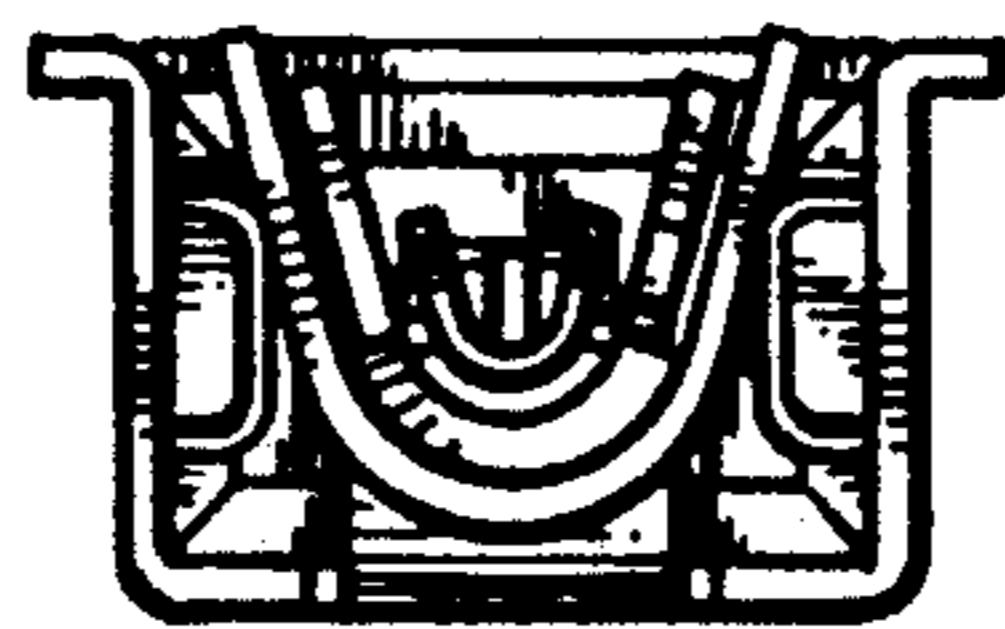


FIG. 6