



US00D332765S

United States Patent [19]

[11] Patent Number: **Des. 332,765**

Tellinghuisen

[45] Date of Patent: **** Jan. 26, 1993**

[54] **PARAPLEGIC'S TRICYCLE**

[57] **CLAIM**

[76] Inventor: **Kelvin L. Tellinghuisen, 5100 E. Prospect, Sioux Falls, S. Dak. 57103**

The ornamental design for a paraplegic's tricycle, as shown and described.

[**] Term: **14 Years**

DESCRIPTION

[21] Appl. No.: **680,272**

FIG. 1 is a top and front perspective view of a paraplegic's tricycle showing my new design;

[22] Filed: **Apr. 4, 1991**

FIG. 2 is a rear and top perspective view of a second embodiment of the paraplegic's tricycle; the sole difference being in the alternate hand propulsion lever from that of FIG. 1;

[52] U.S. Cl. **D12/128; D12/112**

[58] Field of Search **D12/128, 112; 280/248, 280/204, 32.7, 62; D34/12, 17**

FIG. 3 is a top plan view of the tricycle of FIG. 2;

FIG. 4 is a side elevational view of the tricycle of FIG. 2;

FIG. 5 is a front elevational view of the tricycle of FIG. 2;

FIG. 6 is a perspective detailed view of the alternate hand propulsion lever with the handles in a difference position, the remainder of the tricycle being omitted for convenience of illustration; and,

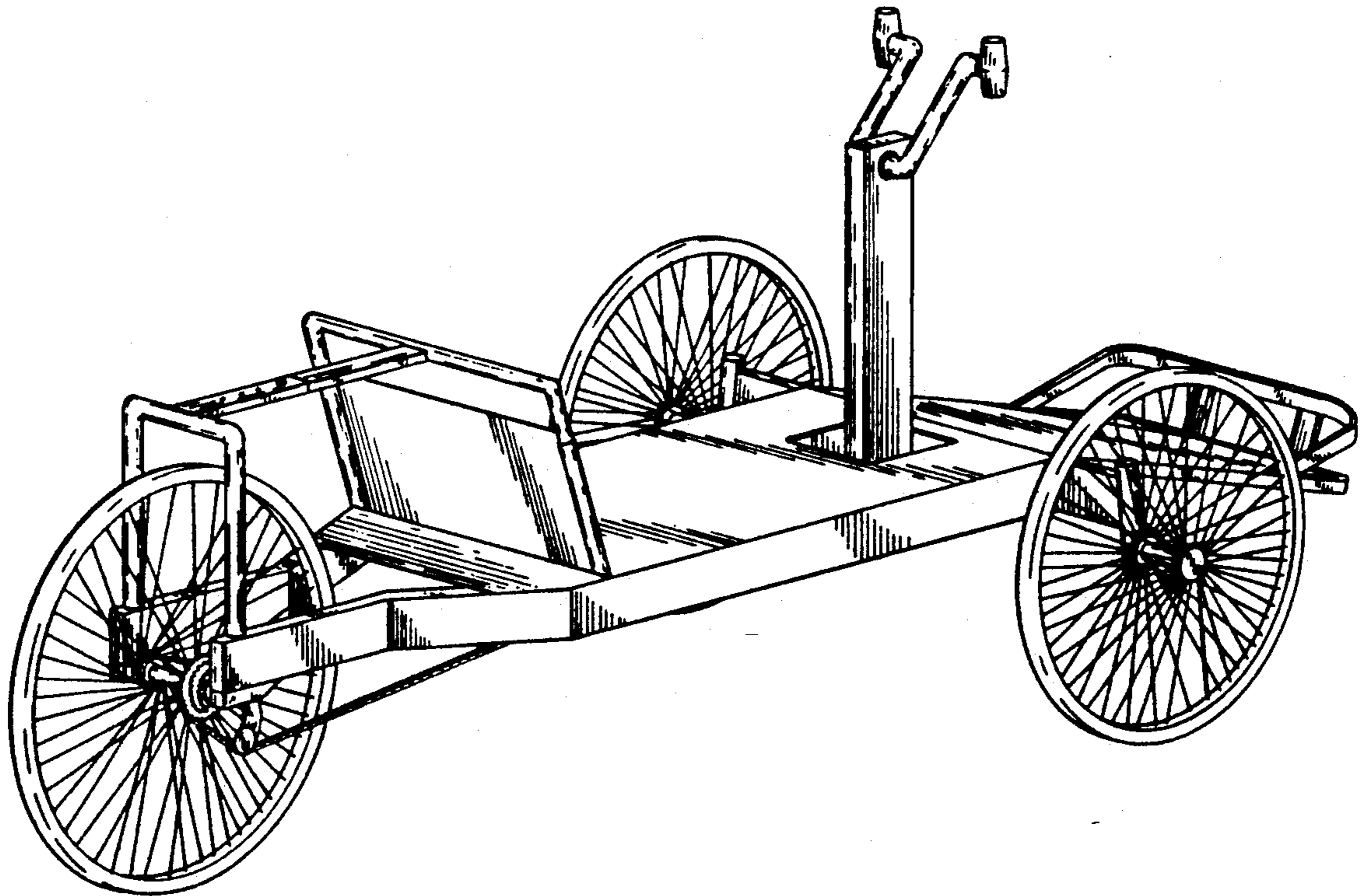
FIG. 7 is a bottom plan view of the tricycle shown in FIG. 2.

[56] **References Cited**

U.S. PATENT DOCUMENTS

D. 320,586	10/1991	Tellinghuisen	D12/112
1,492,597	5/1924	Gilbert	280/248
1,503,832	8/1924	Hubbard	280/248
2,884,259	4/1959	Snodgrass	280/248
4,524,987	6/1985	Kim	280/204

Primary Examiner—Kay H. Chin



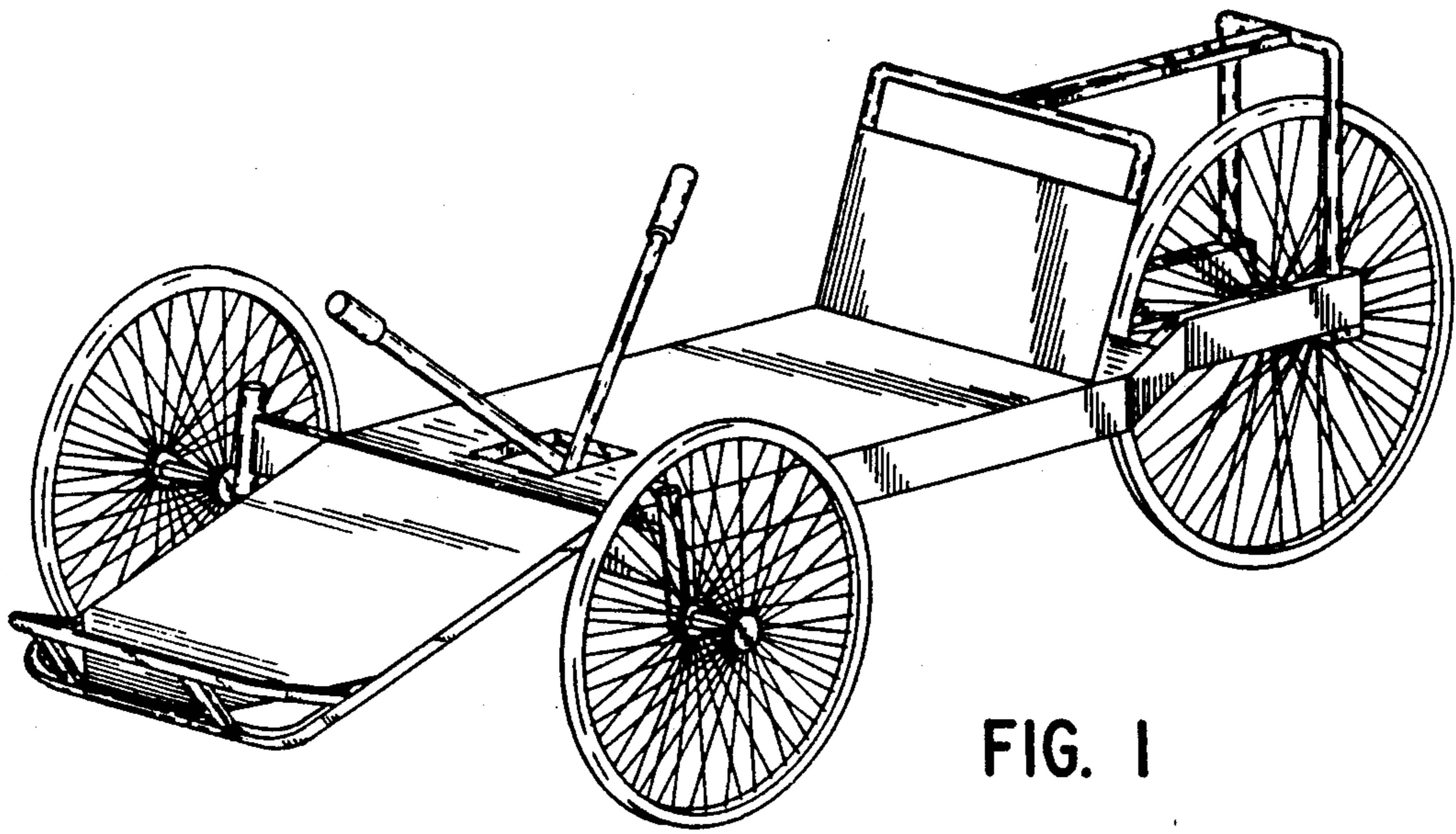


FIG. 1

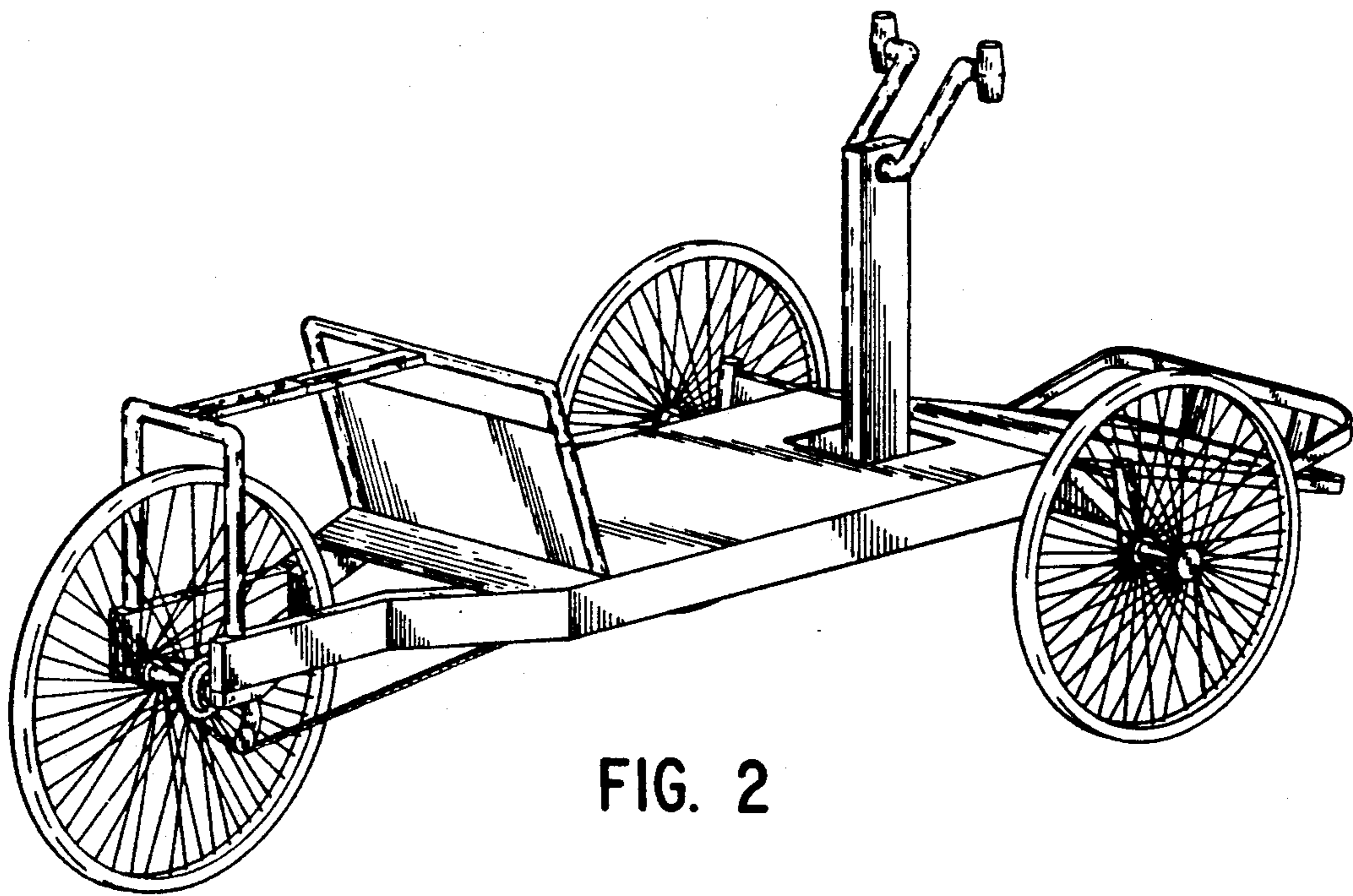


FIG. 2

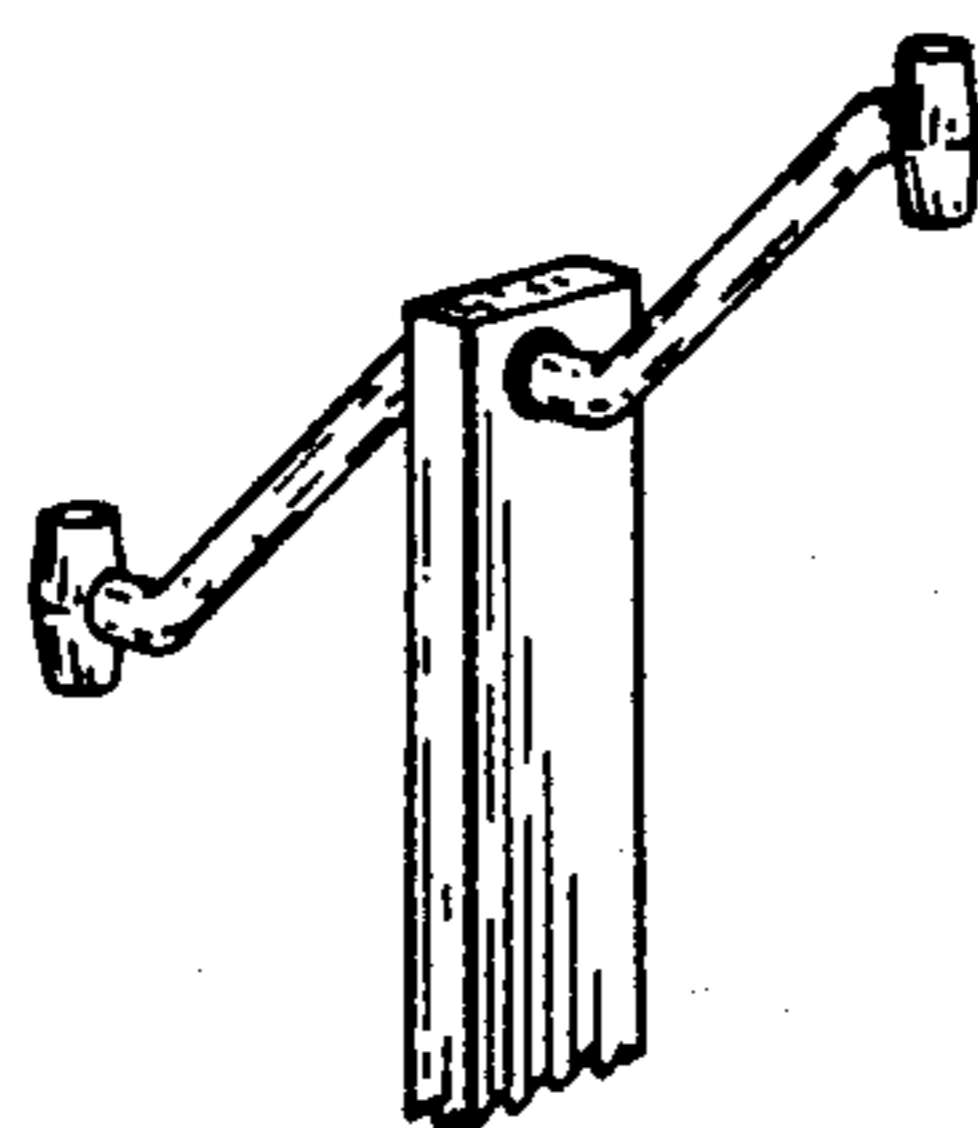


FIG. 6

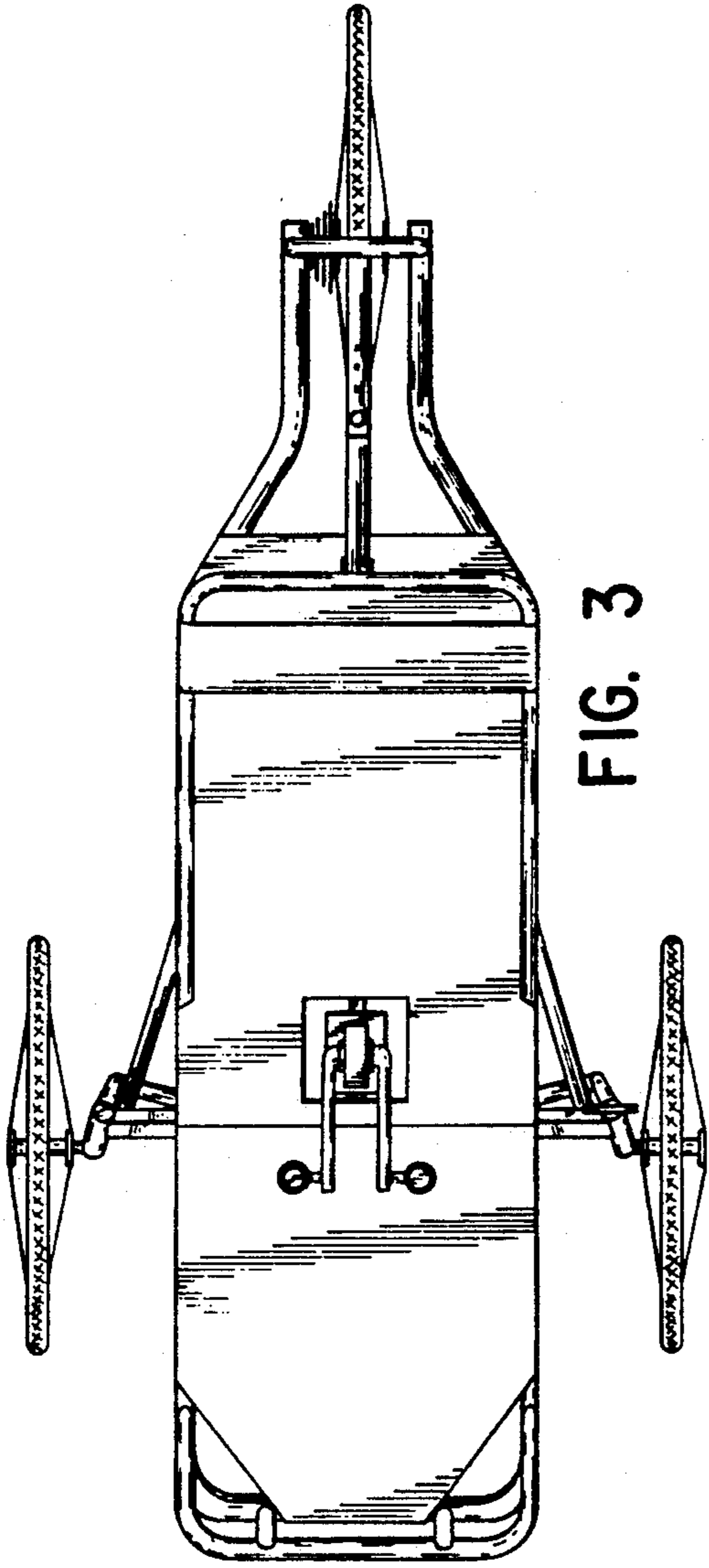


FIG. 3

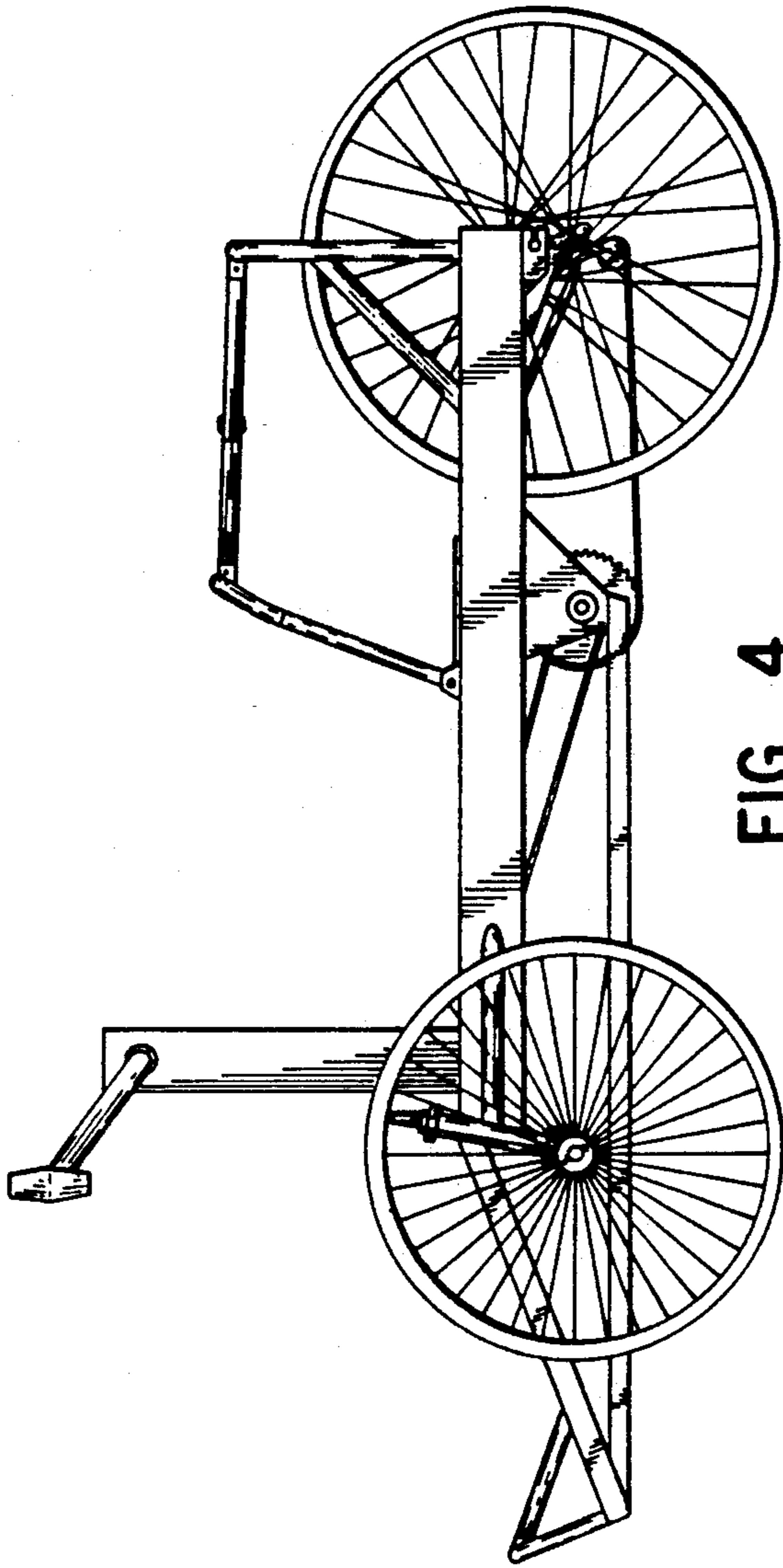


FIG. 4

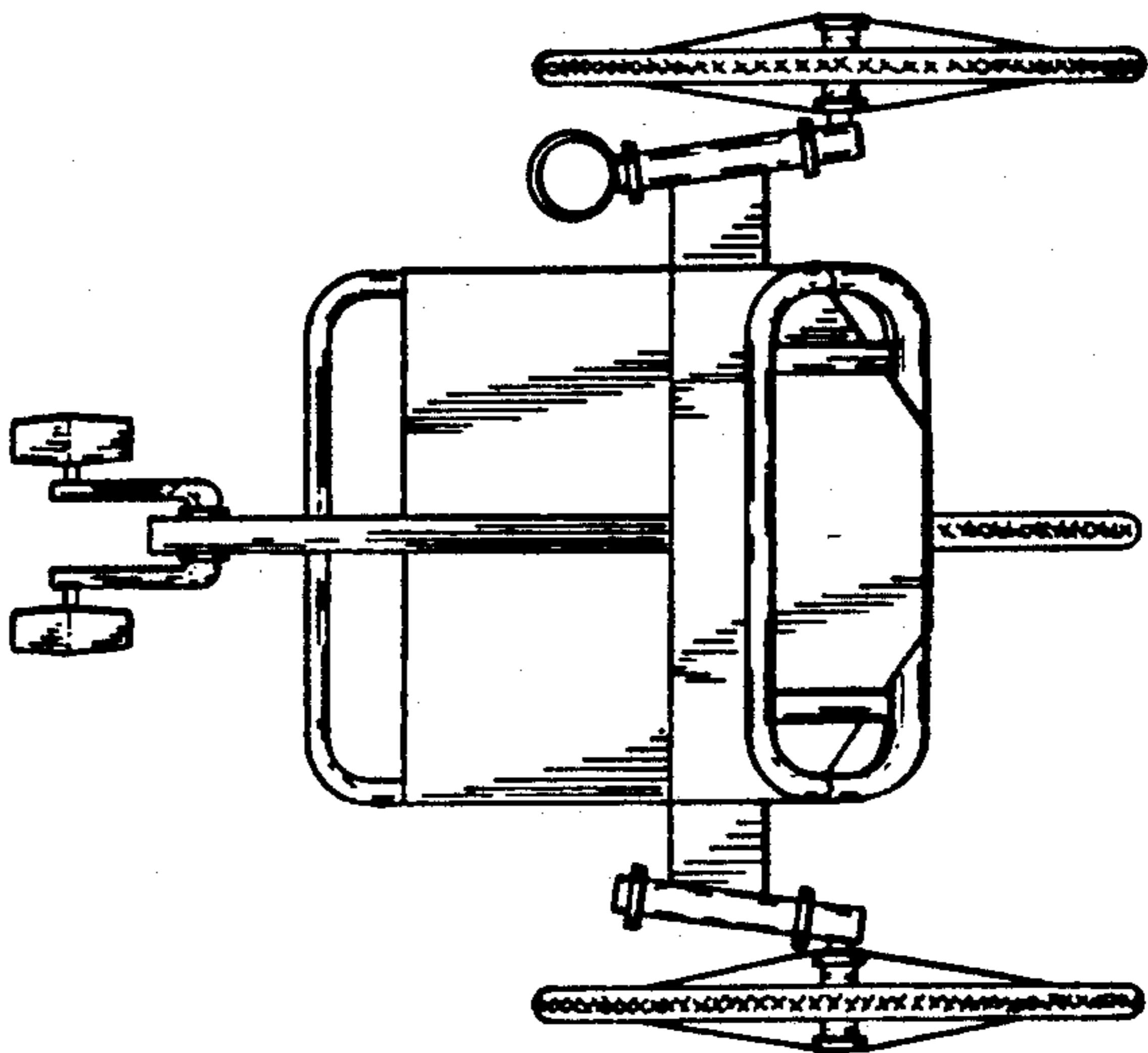


FIG. 5

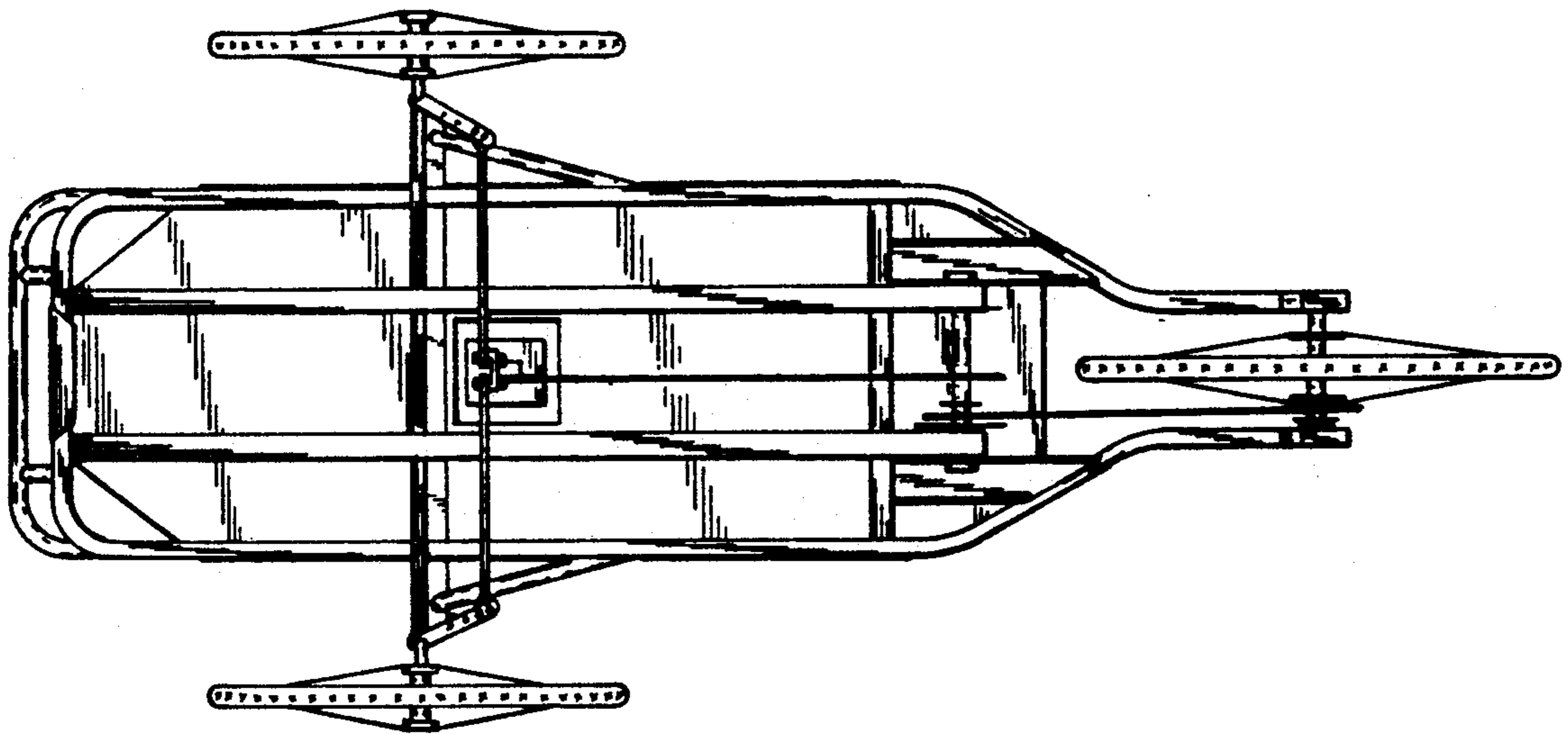


FIG. 7