



US00D332762S

United States Patent [19]

[11] Patent Number: **Des. 332,762**

McCafferty, Jr.

[45] Date of Patent: **** Jan. 26, 1993**

[54] **FLORAL DISPLAY SADDLE FOR GRAVE MARKERS**

[57] **CLAIM**

The ornamental design for a floral display saddle for a grave marker, as shown and described.

[76] Inventor: **Lewis D. McCafferty, Jr.**, 921 W. Fourth, Hobart, Okla. 73651

DESCRIPTION

[**] Term: **14 Years**

FIG. 1 is a side elevational view of a floral display saddle for grave markers showing my new design, the portion of a grave marker being shown in broken lines of illustrative purposes only;

[21] Appl. No.: **603,910**

FIG. 2 is a left end elevational view thereof, again the portion of a grave marker being shown in broken lines for illustrative purposes only;

[22] Filed: **Oct. 26, 1990**

[52] U.S. Cl. **D11/164; D8/380**

FIG. 3 is a right end elevational view thereof;

[58] Field of Search **D11/164, 143; D8/349, D8/354, 380; D99/8, 19; 248/27.8, 298, 231.2; 47/66, 39, 41.01; D6/556**

FIG. 4 is a side elevational view opposite that shown in FIG. 1;

[56] References Cited

U.S. PATENT DOCUMENTS

D. 204,552	4/1966	Reynolds	D11/143
D. 299,088	6/1988	Monza	D6/556
2,983,472	5/1961	Bowling	248/27.8
3,145,847	8/1964	Clement	248/27.8
3,164,343	1/1965	Cucullo	248/27.8

FIG. 5 is a top plan view thereof;

FIG. 6 is a bottom plan view thereof;

FIG. 7 is a side elevational view thereof, in a contracted position;

FIG. 8 is a side elevational view thereof in an extended position;

FOREIGN PATENT DOCUMENTS

0207313 10/1939 Switzerland 248/231.2

FIG. 9 is a side elevational view of half of the saddle, the fasteners and other half being omitted for clarity of illustration;

FIG. 10 is a left end elevational view of FIG. 9;

FIG. 11 is a right end elevational view of FIG. 9;

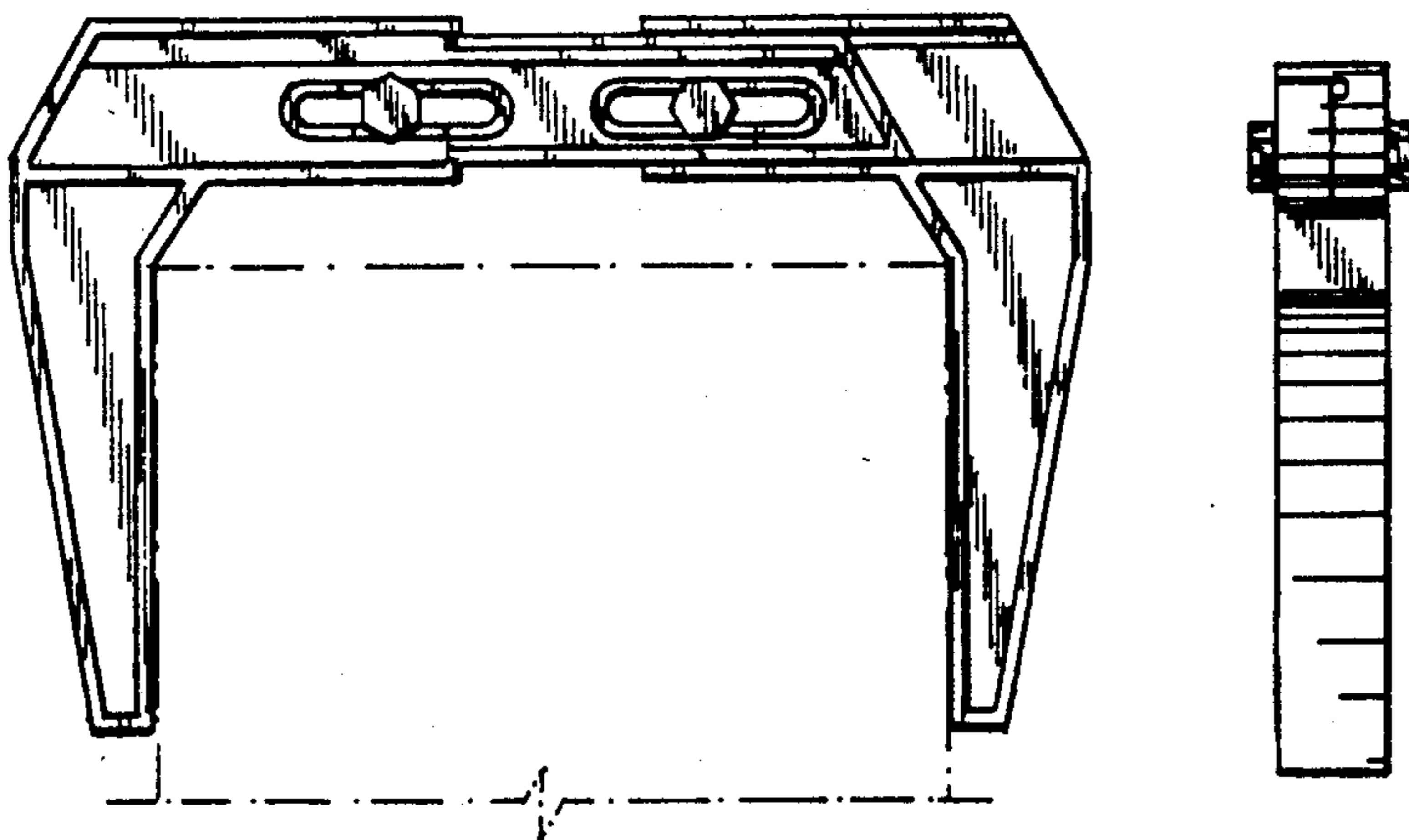
FIG. 12 is a side elevational view opposite that shown in FIG. 9;

Primary Examiner—**B. J. Bullock**

Attorney, Agent, or Firm—**Laney, Dougherty, Hessin & Beavers**

FIG. 13 is a top plan view of FIG. 9; and,

FIG. 14 is a bottom plan view of FIG. 9.



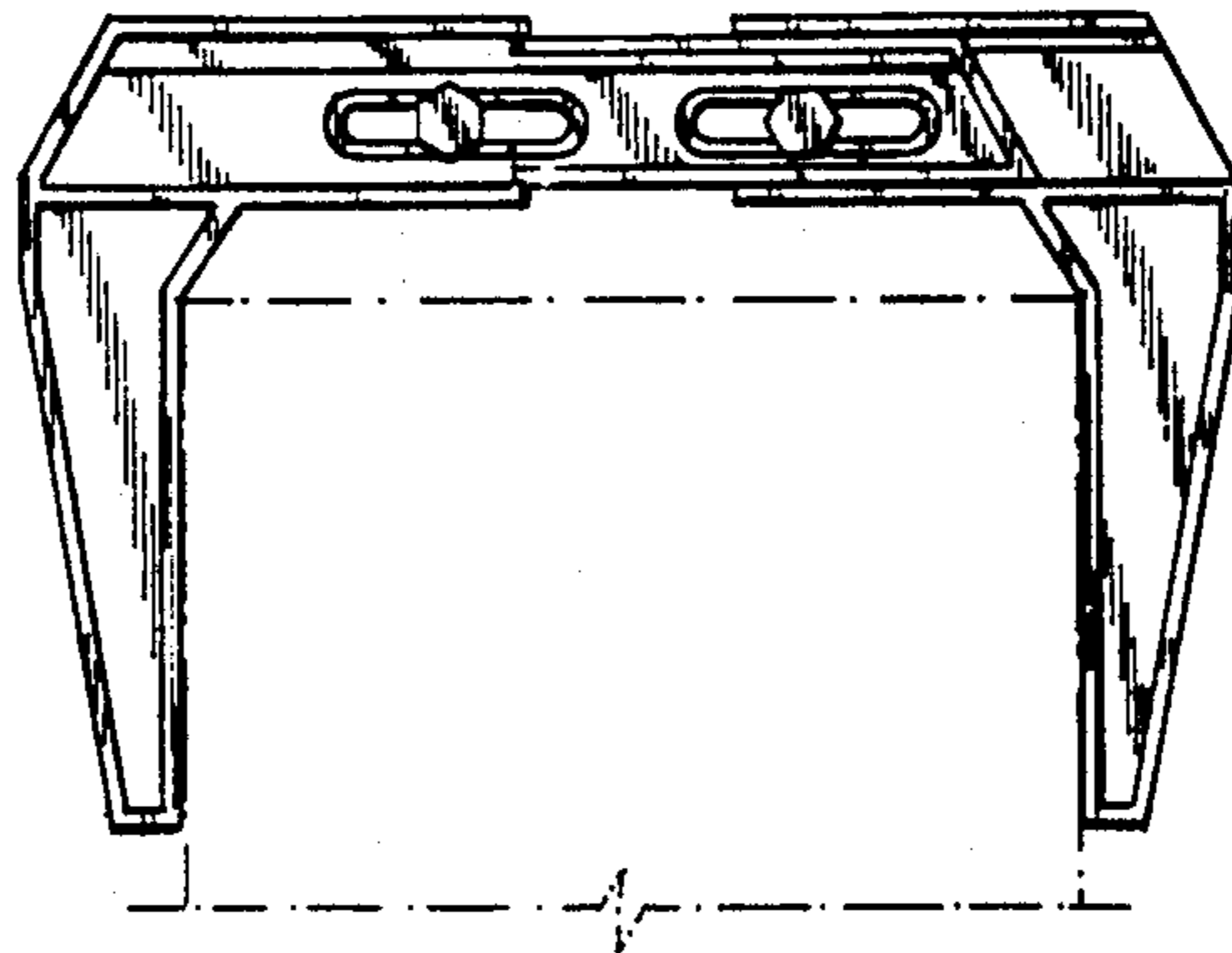


FIG. 1

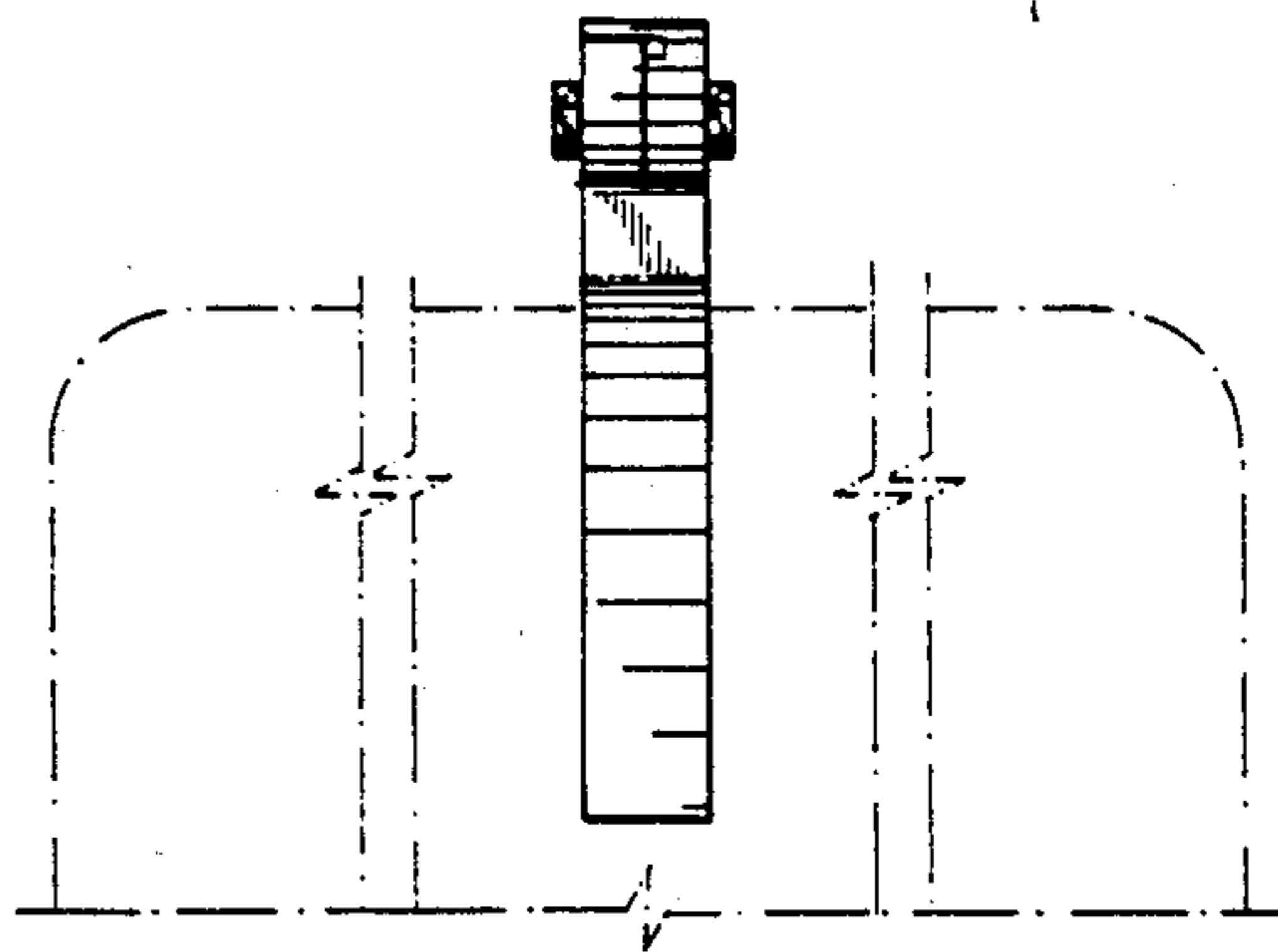


FIG. 2



FIG. 3

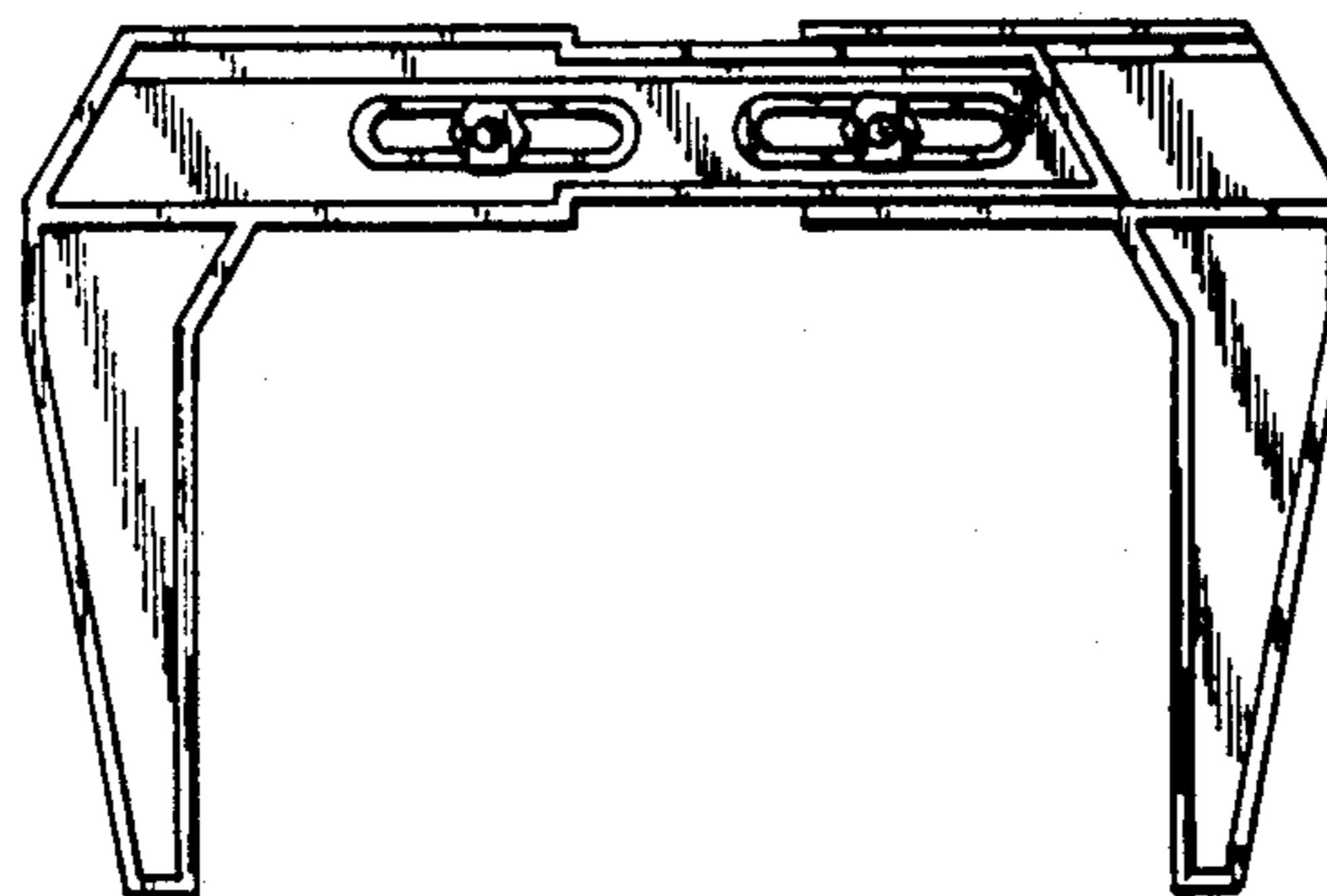


FIG. 4



FIG. 5

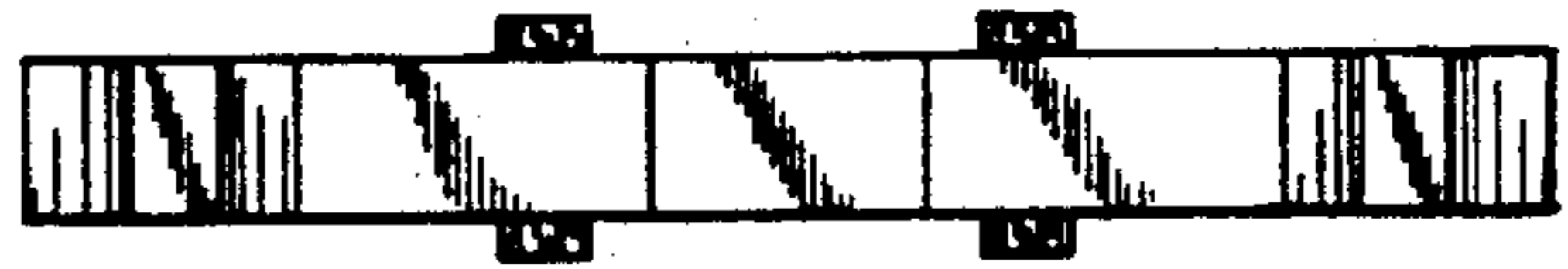


FIG. 6

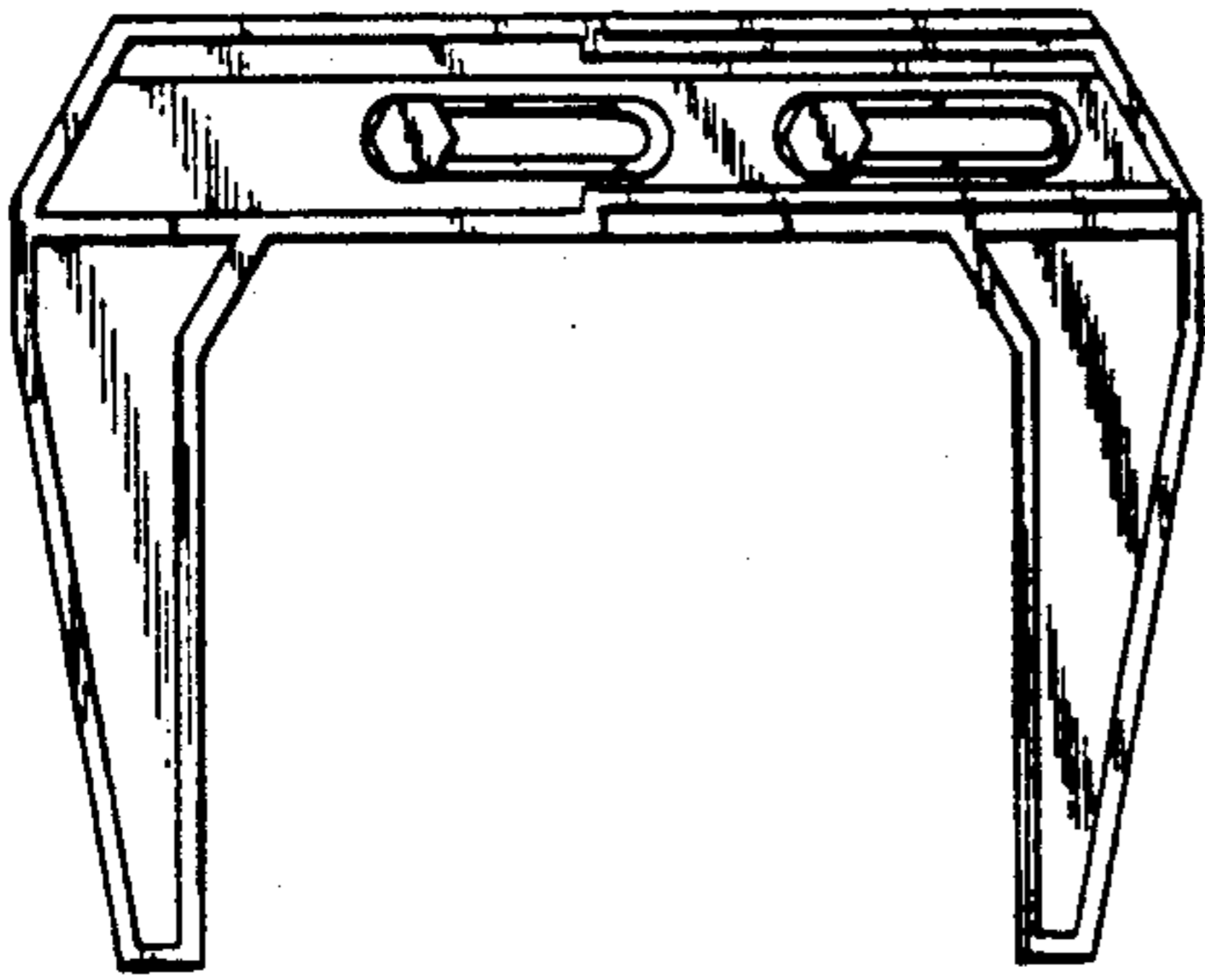


FIG. 7

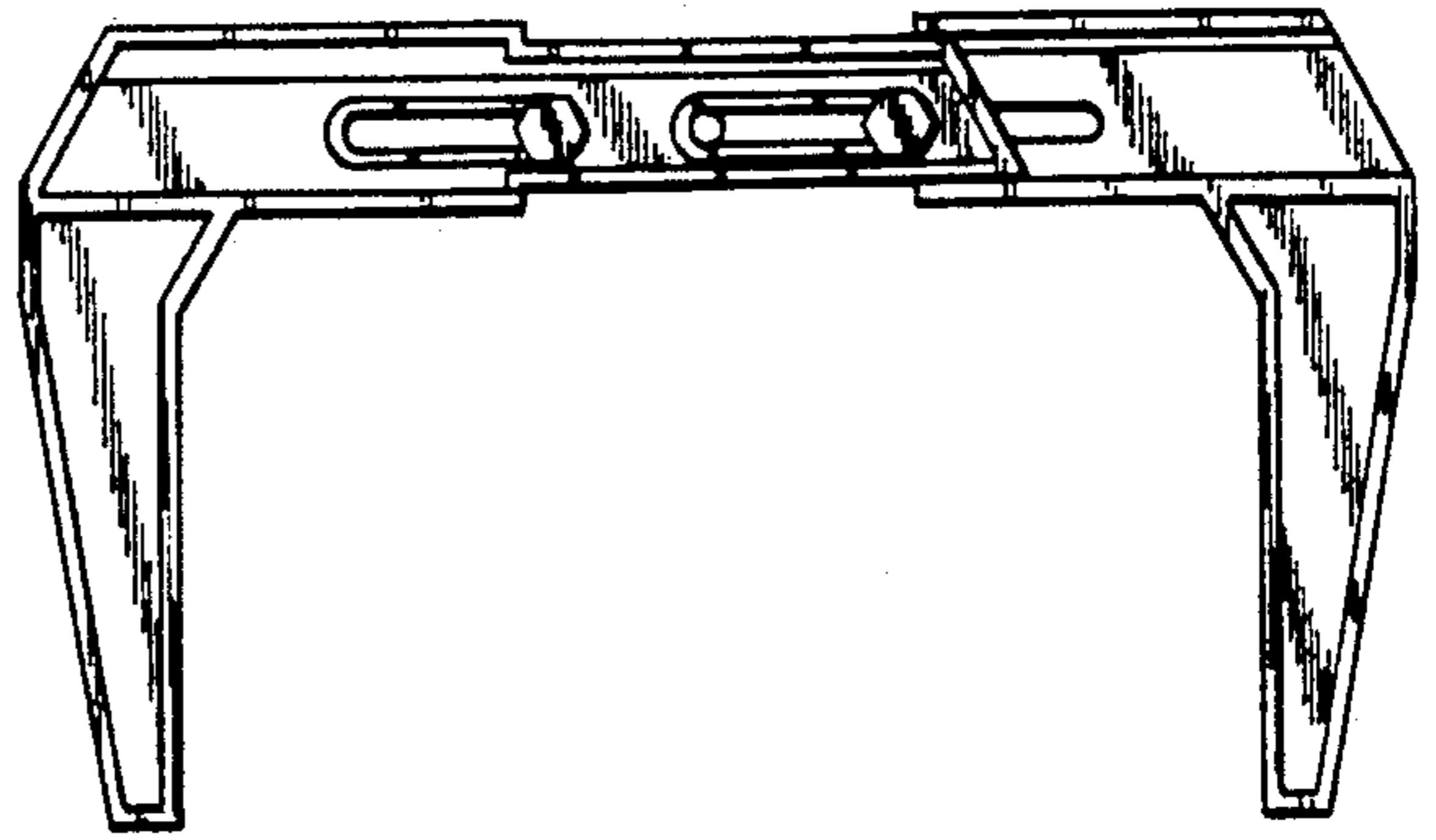


FIG. 8

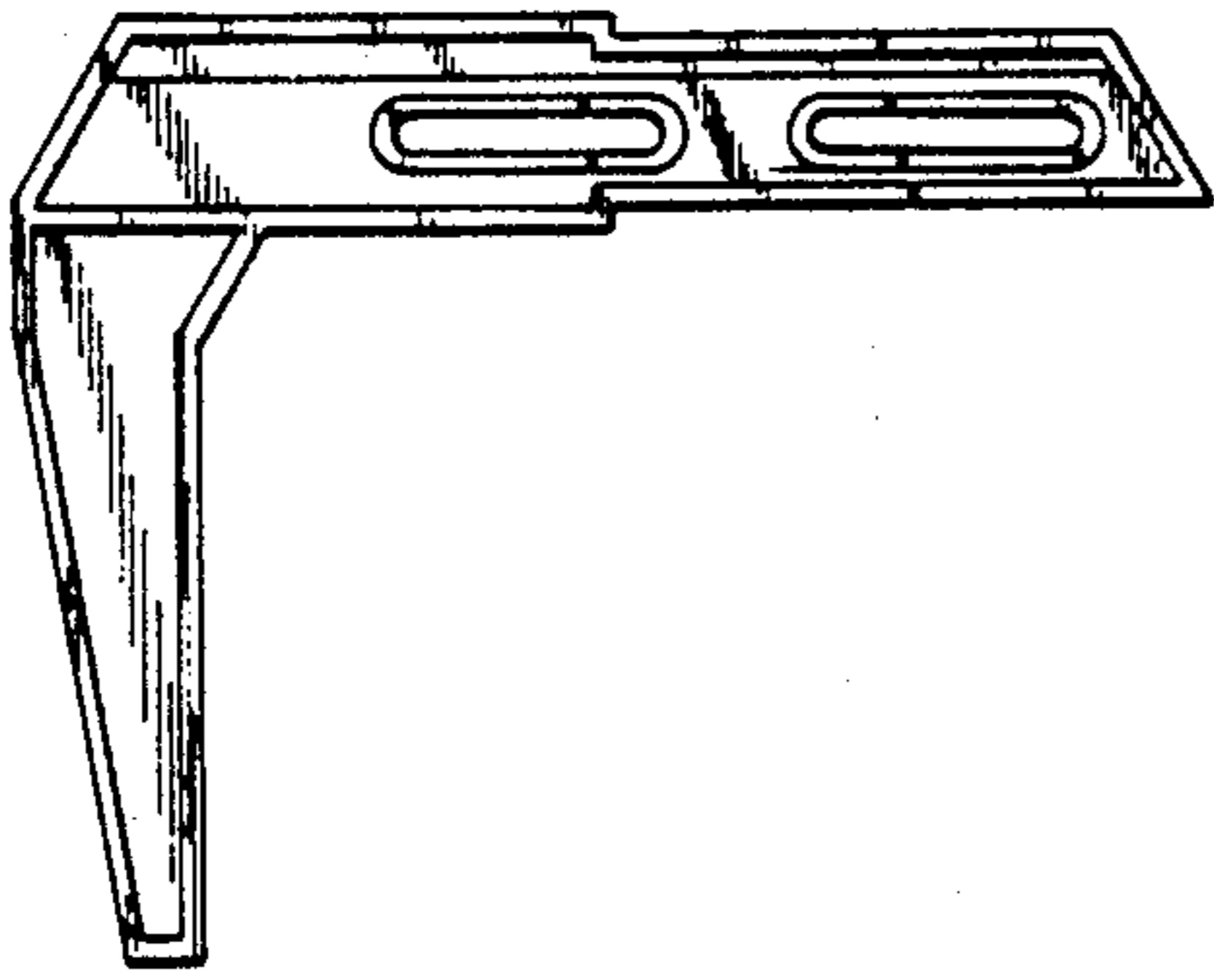


FIG. 9



FIG. 11



FIG. 10

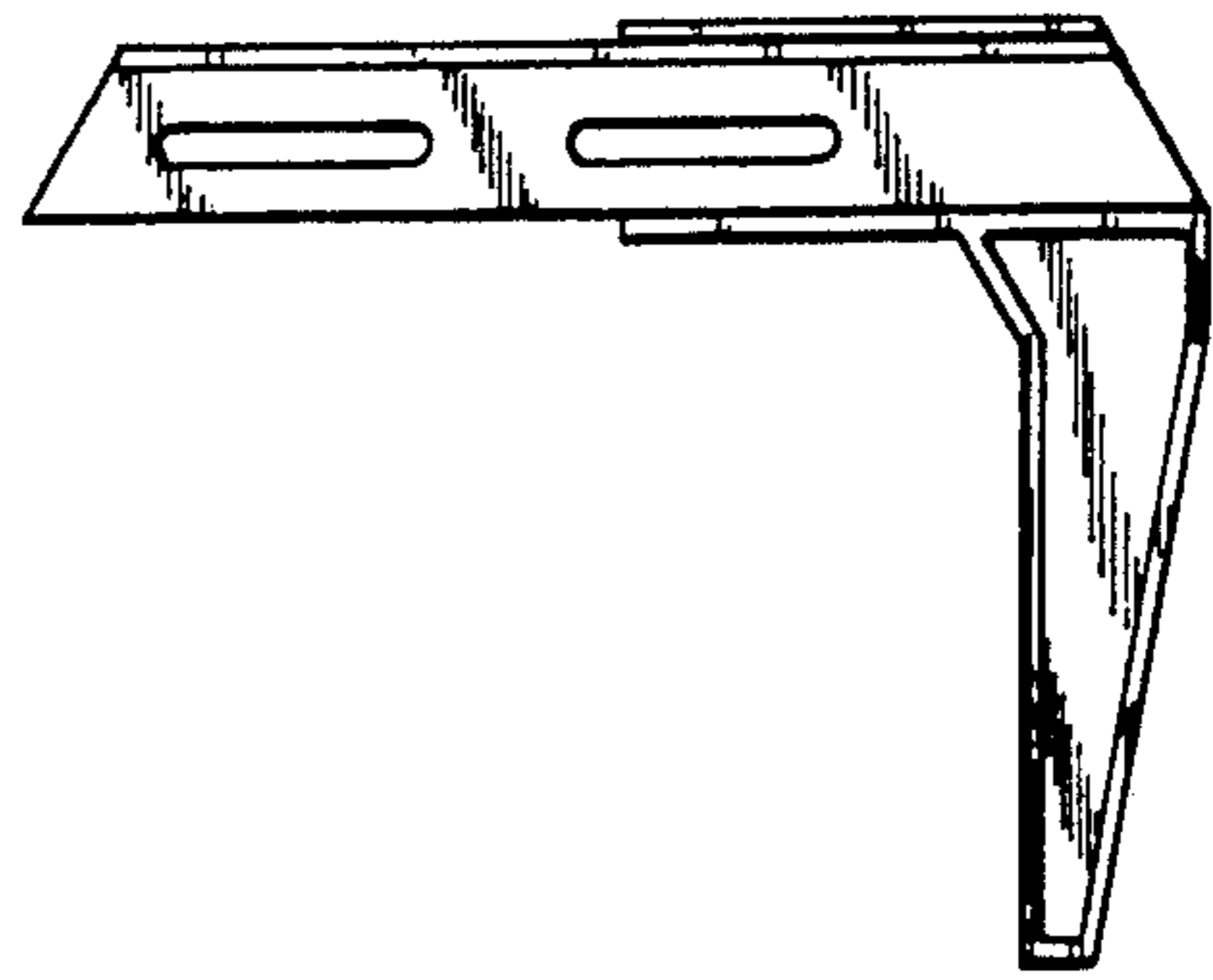


FIG. 12

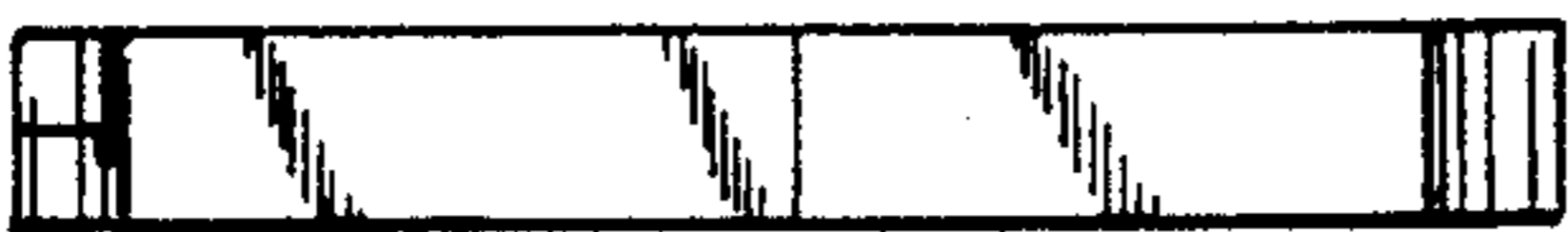


FIG. 13



FIG. 14