



US00D332757S

United States Patent [19]

Thomas et al.

[11] Patent Number: **Des. 332,757**

[45] Date of Patent: **** Jan. 26, 1993**

[54] **SIGNAL LIGHT FOR TIMING A PULSE RATE**

[75] Inventors: **Frank W. Thomas; Donald Brown,**
both of Chester, N.J.

[73] Assignee: **Pulse Lite, Inc., Chester, N.J.**

[**] Term: **14 Years**

[21] Appl. No.: **545,457**

[22] Filed: **Jun. 28, 1990**

[52] U.S. Cl. **D10/114**

[58] Field of Search **D26/72, 74-92,**
D26/24; 362/147, 432, 362, 363, 367; 128/687,
670, 691, 692, 674, 675

[56] **References Cited**

U.S. PATENT DOCUMENTS

| | | | | |
|------------|---------|----------------|-------|-----------|
| D. 287,878 | 1/1987 | Peeler | | D24/165 |
| 3,789,402 | 1/1974 | Heywood et al. | | 340/331 |
| 3,810,170 | 5/1974 | Zinsmeister | | 340/331 X |
| 4,296,460 | 10/1981 | Minoprio | | 362/362 X |
| 4,404,974 | 9/1983 | Titus | | 128/672 X |

4,625,732 12/1986 Kása et al. 128/670

FOREIGN PATENT DOCUMENTS

536989 6/1941 United Kingdom .

OTHER PUBLICATIONS

Lighting, Jun. 1956, p. 47, Adjustable Floodlight.
Lighting & Lamps, Nov. 1952, p. 6, Aisle light.

Primary Examiner—Susan J. Lucas
Attorney, Agent, or Firm—Francis C. Hand

[57] **CLAIM**

The ornamental design for a signal light for timing a pulse rate, as shown and described.

DESCRIPTION

FIG. 1 is a front perspective view of the signal light for timing a pulse rate showing our new design;
FIG. 2 is a front elevational view thereof;
FIG. 3 is a top plan view thereof, the bottom being identical; and,
FIG. 4 is a side elevational view thereof, the opposite side being a mirror image.

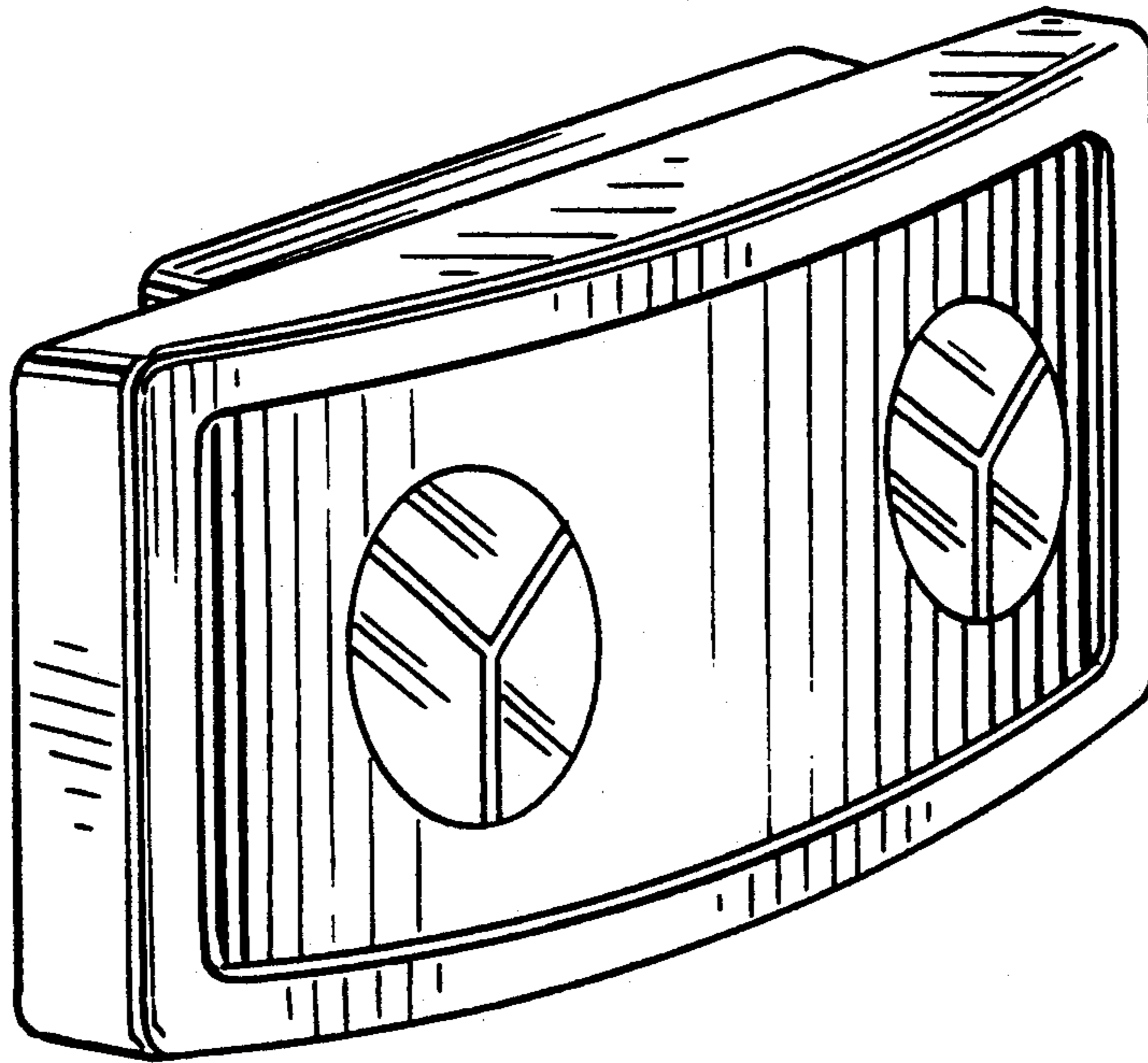


Fig. 1.

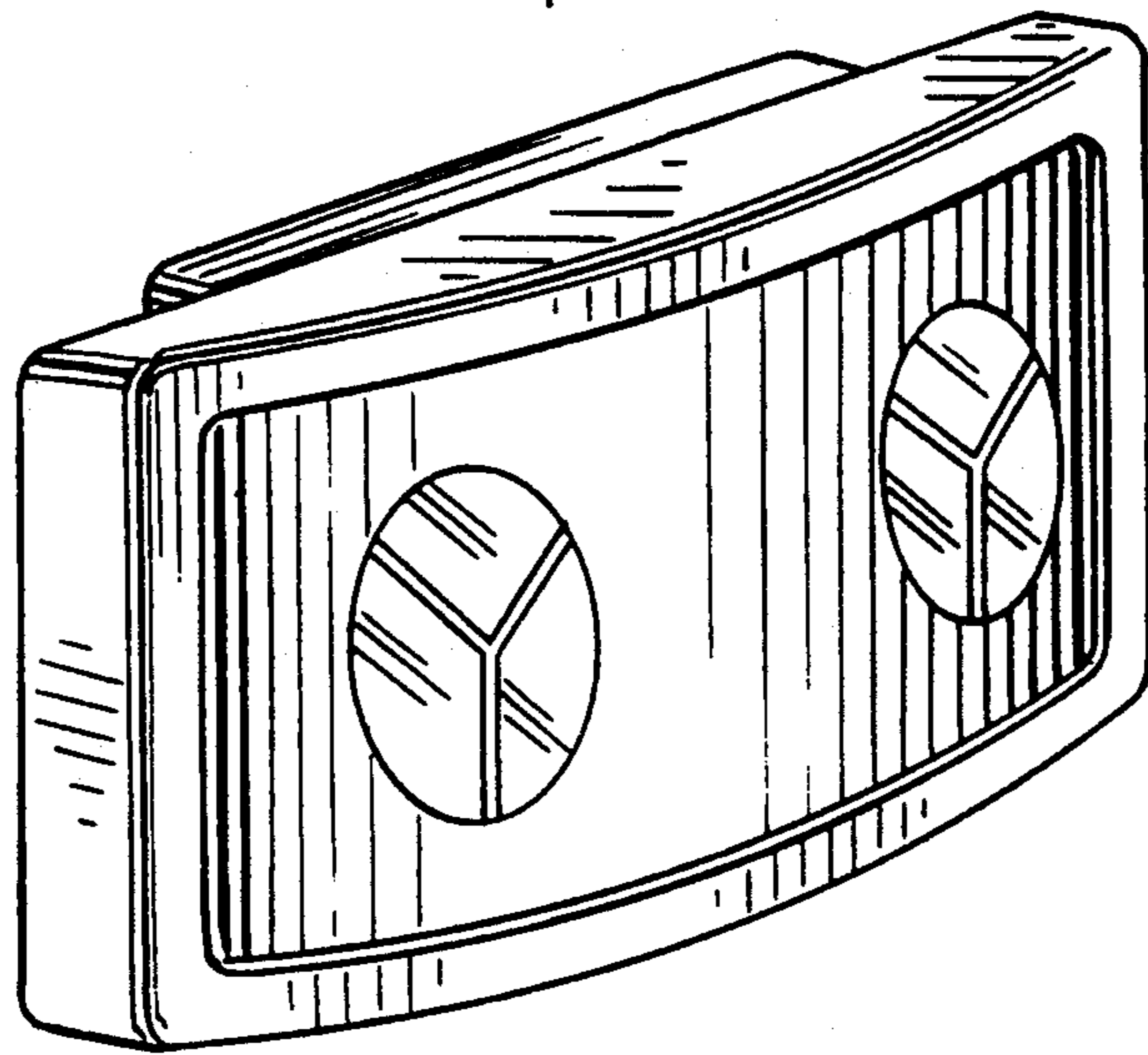


Fig. 3.

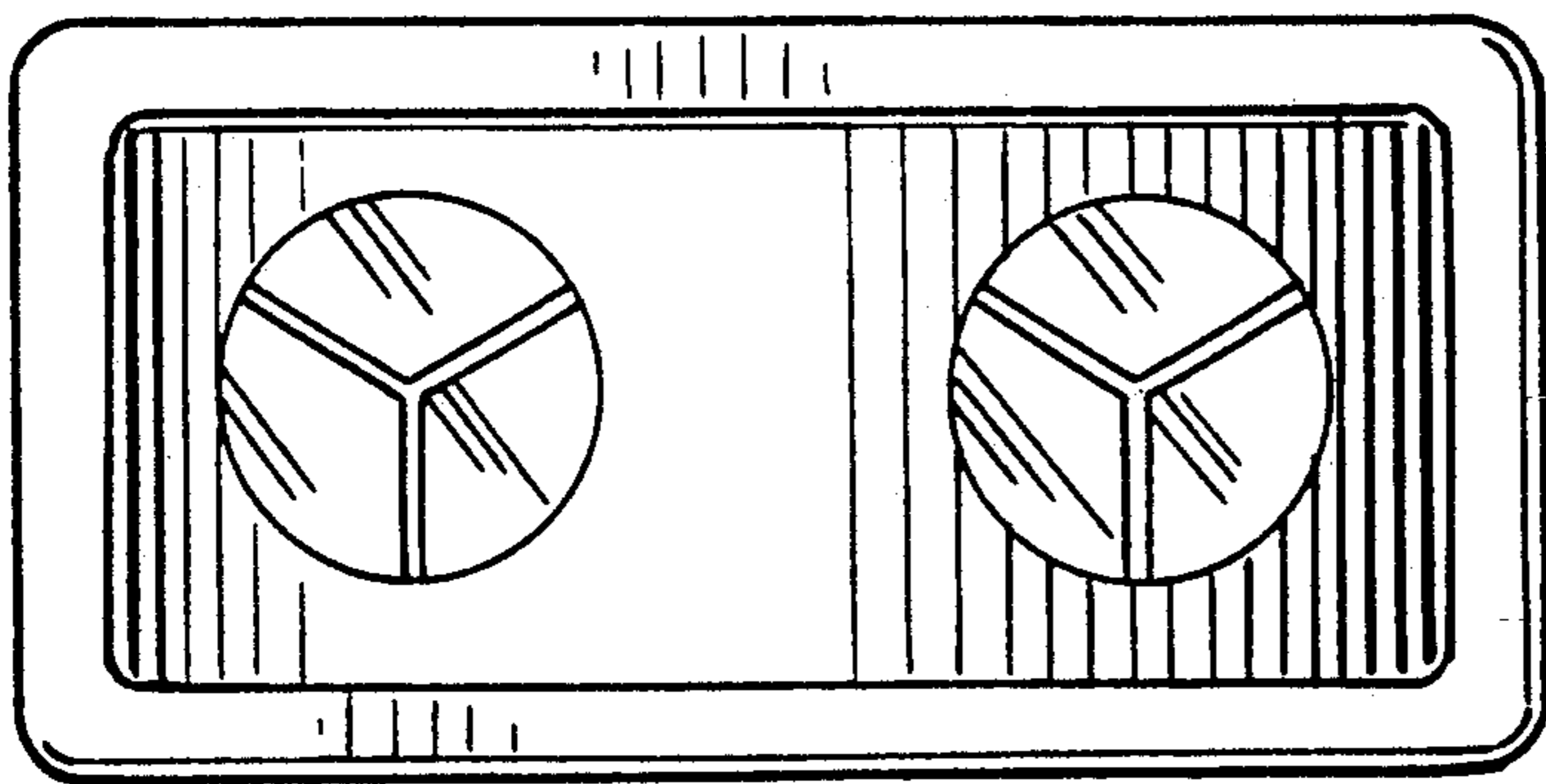
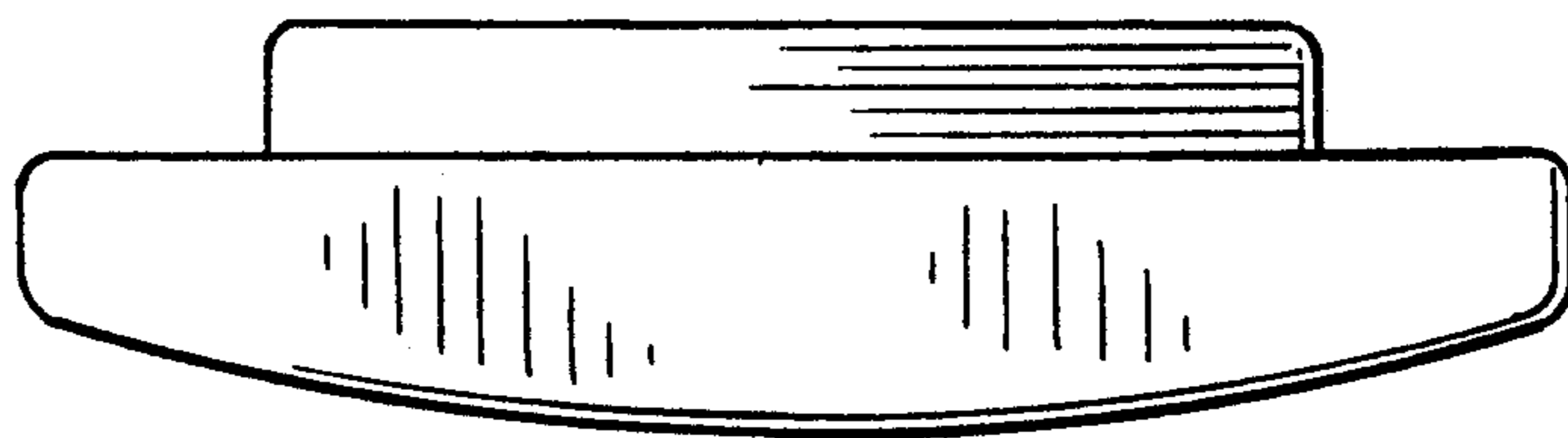


Fig. 2.

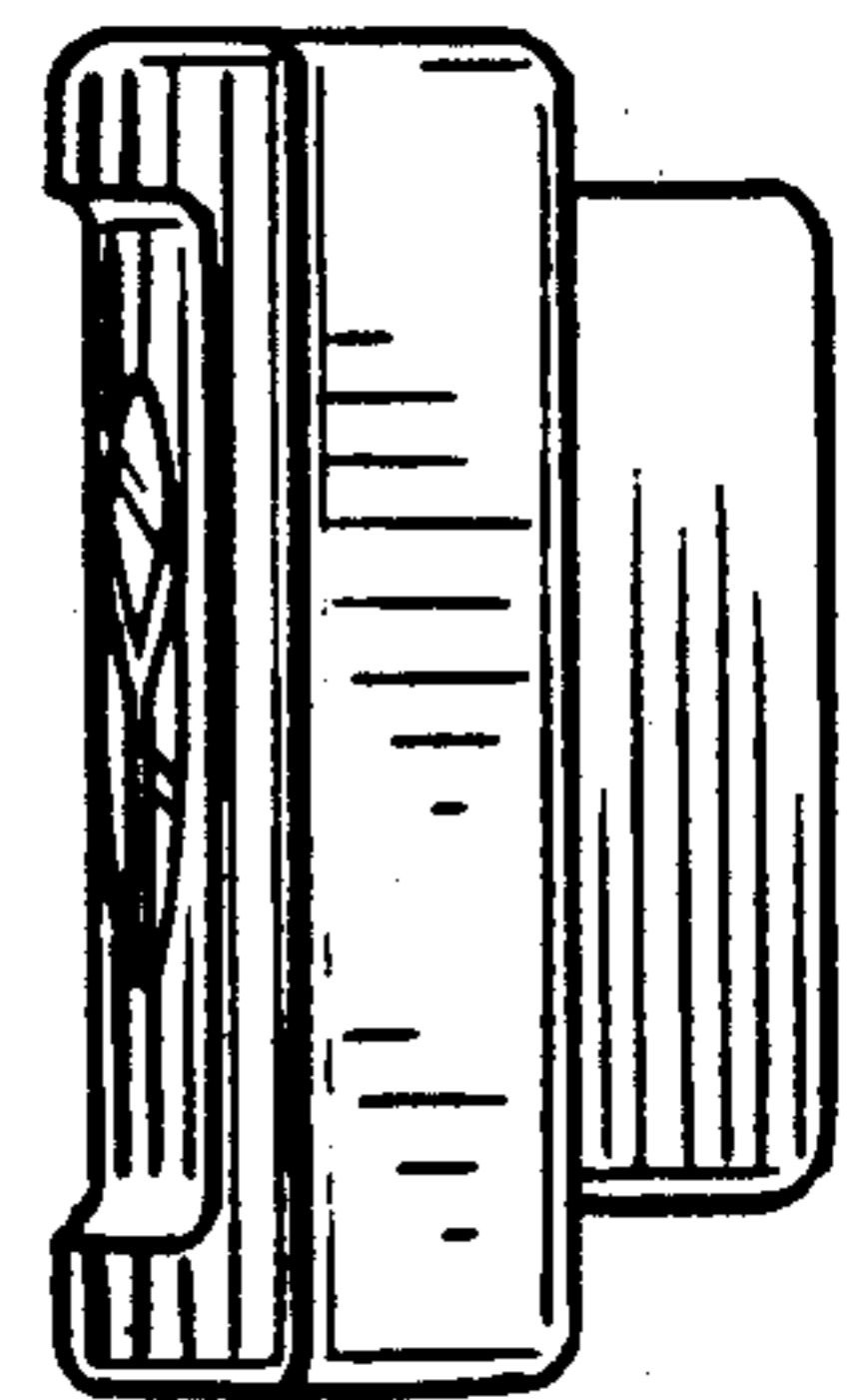


Fig. 4.