



US00D332753S

United States Patent [19]

Jones

[11] Patent Number: **Des. 332,753**

[45] Date of Patent: **** Jan. 26, 1993**

[54] LEVEL ADAPTER FOR DETERMINING PLUMB

[76] Inventor: **Pierson Jones, 94 Lakepoint Dr., Harrisburg, Pa. 17111-2931**

[**] Term: **14 Years**

[21] Appl. No.: **553,694**

[22] Filed: **Jul. 18, 1990**

[52] U.S. Cl. **D10/69**

[58] Field of Search **D10/60, 62, 69; 33/365-390**

4,473,957 10/1984 Faulkner 33/371 X

FOREIGN PATENT DOCUMENTS

124573 3/1919 United Kingdom 33/348

Primary Examiner—Alan P. Douglas
Assistant Examiner—Antoine D. Davis
Attorney, Agent, or Firm—Terry M. Gernstein

[57] CLAIM

The ornamental design for a level adapter for determining plumb, as shown and described.

DESCRIPTION

FIG. 1 is a top, front and right side perspective view of a level adapter for determining plumb showing my new design;

FIG. 2 is a left side elevational view;

FIG. 3 is a right side elevational view;

FIG. 4 is a front elevational view;

FIG. 5 is a rear elevational view;

FIG. 6 is a top plan view; and,

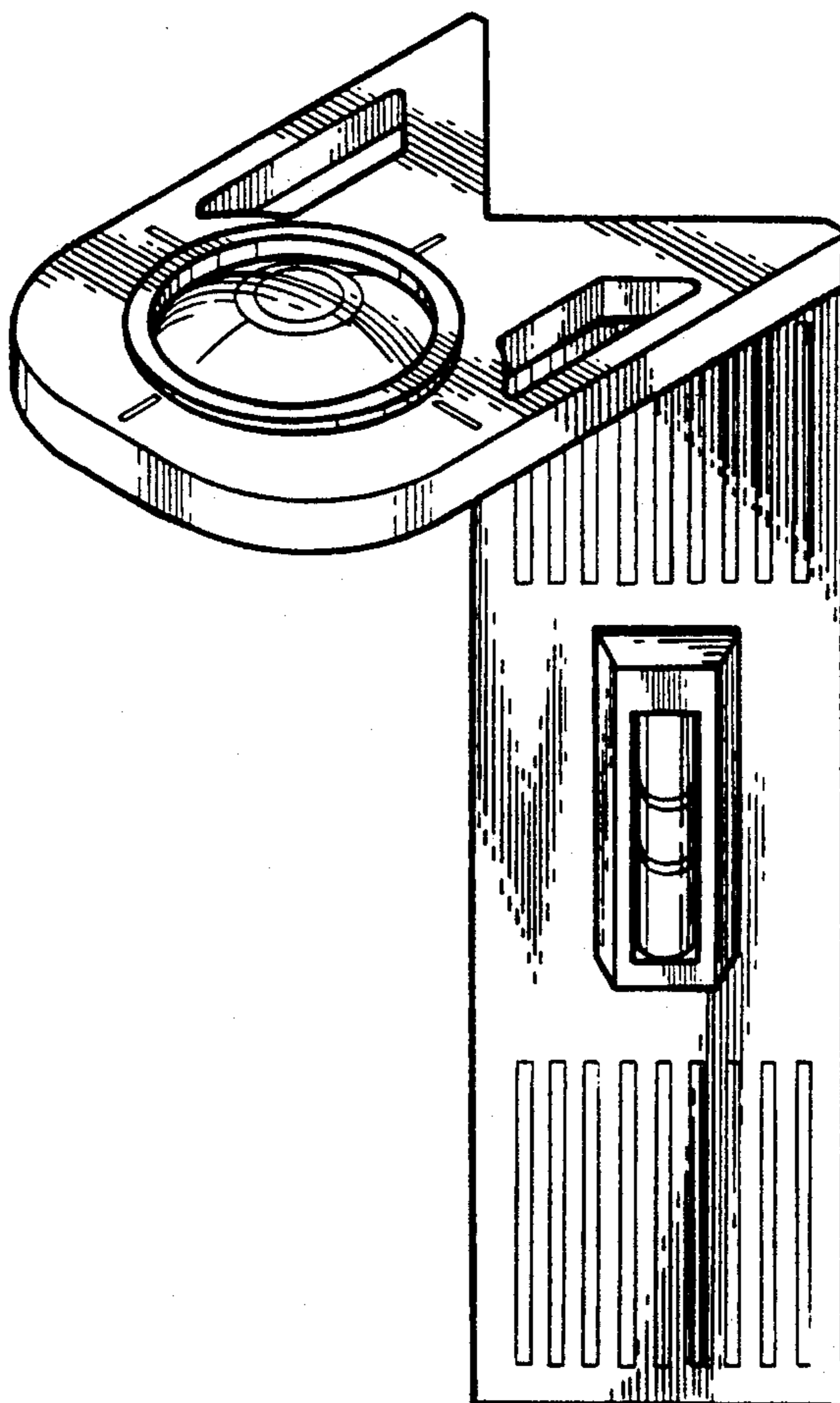
FIG. 7 is a bottom plan view thereof.

FIG. 1 has been drawn on an enlarged scale with respect to FIGS. 2-7.

[56] References Cited

U.S. PATENT DOCUMENTS

D. 269,663	7/1983	Smith et al.	D10/69
D. 317,725	6/1991	McCord	D10/69
721,694	3/1903	Green .	
1,820,791	8/1931	Forrest	33/348
2,667,703	2/1954	Zumkeller .	
2,919,491	1/1960	Darrell .	
3,826,013	7/1974	Baher	33/373
3,950,860	4/1976	Holcombe	33/371



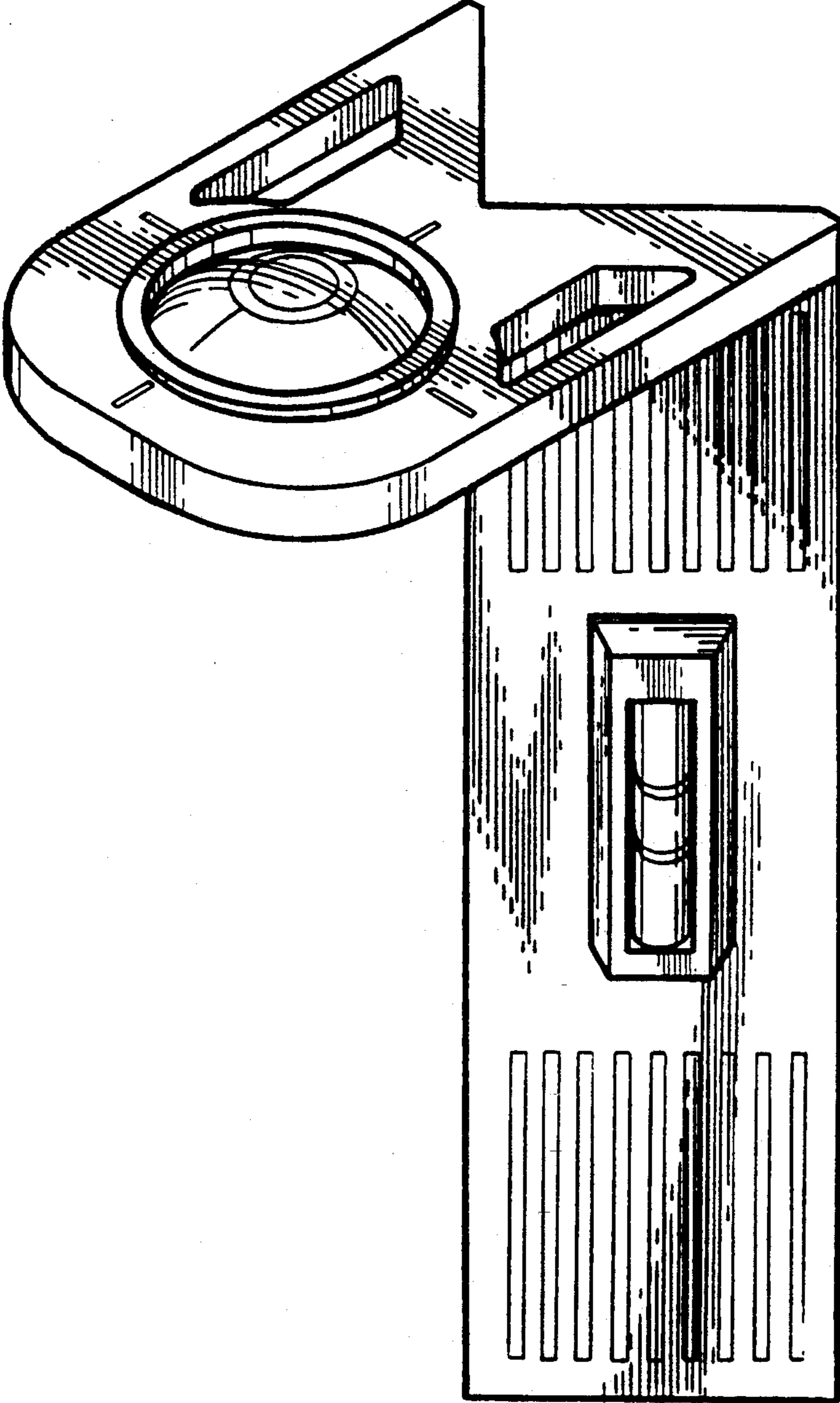


Fig. 1

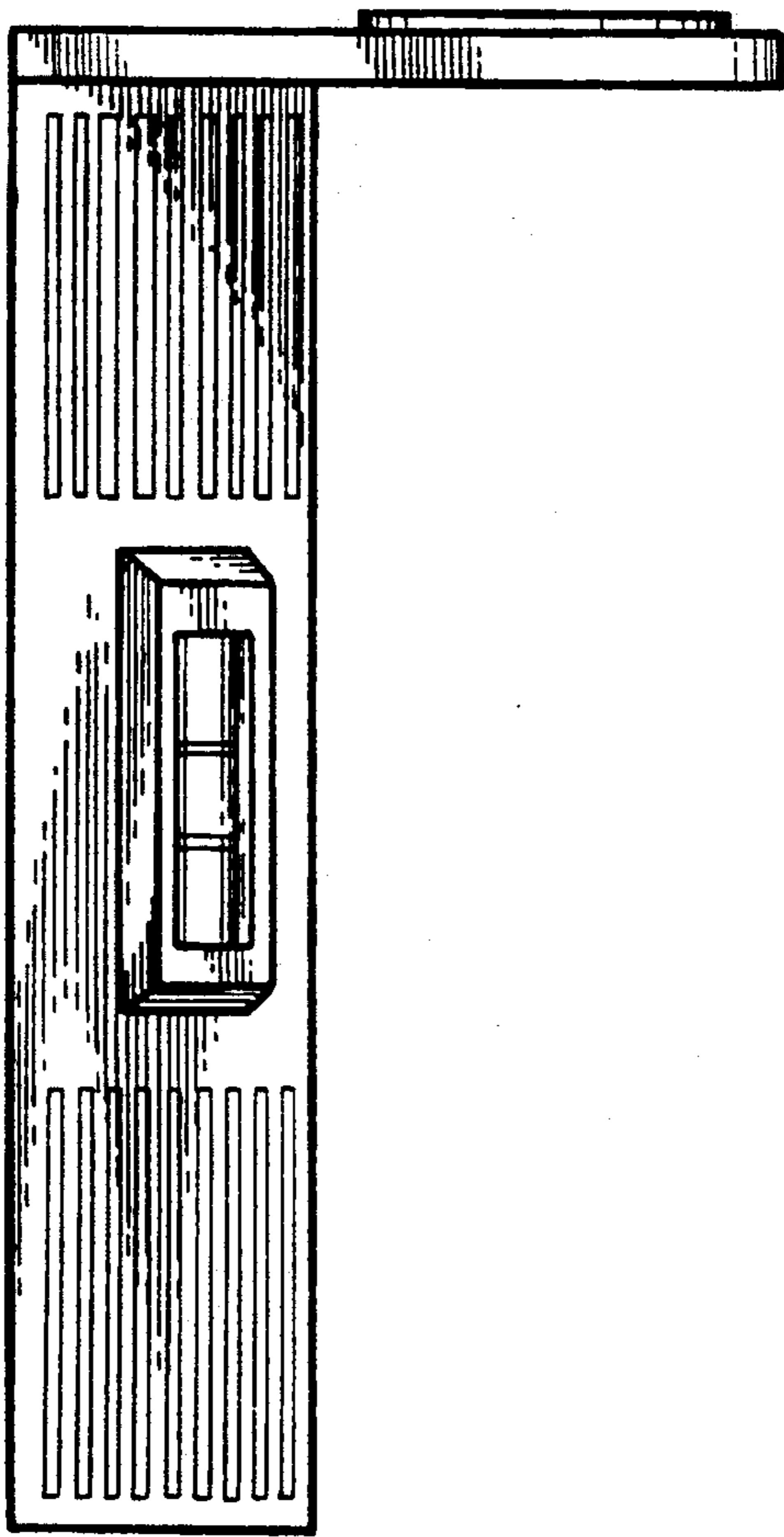


Fig. 2

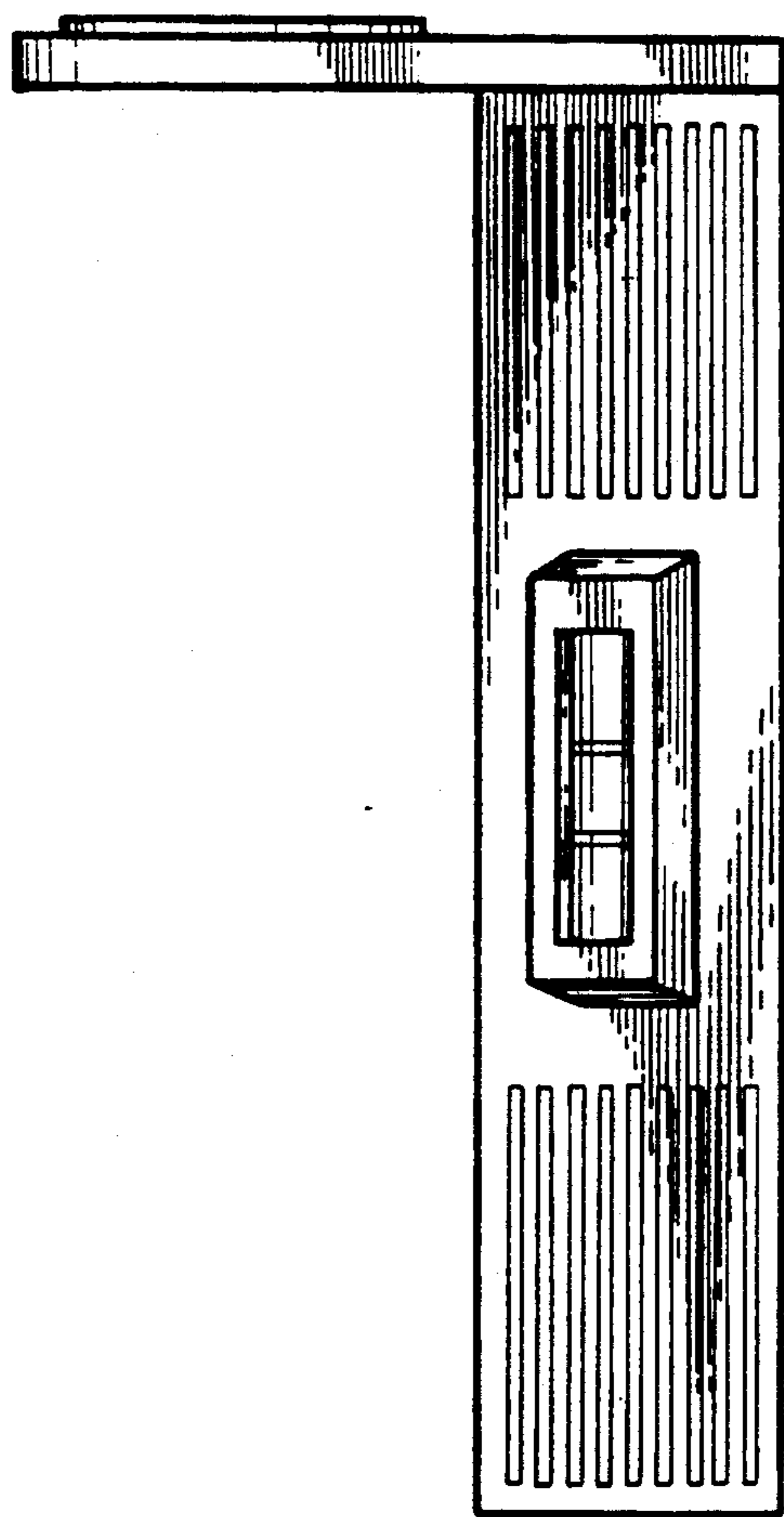


Fig. 3

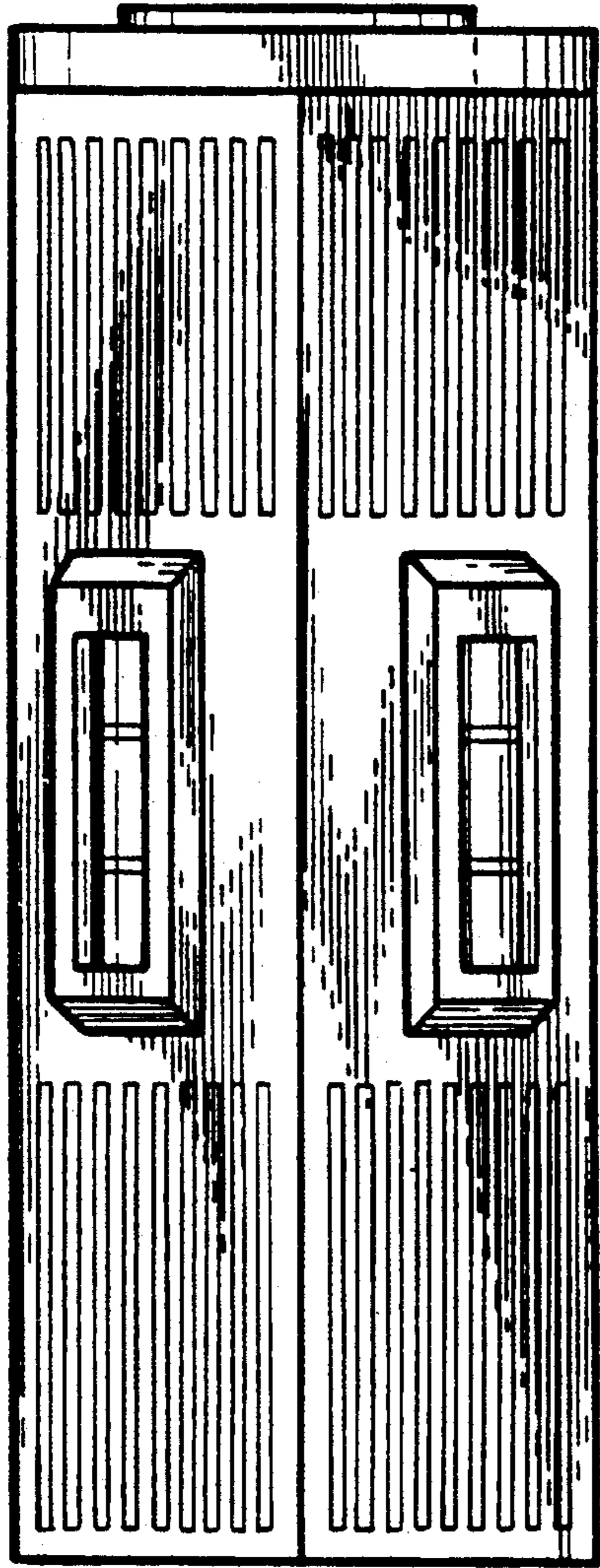


Fig. 4

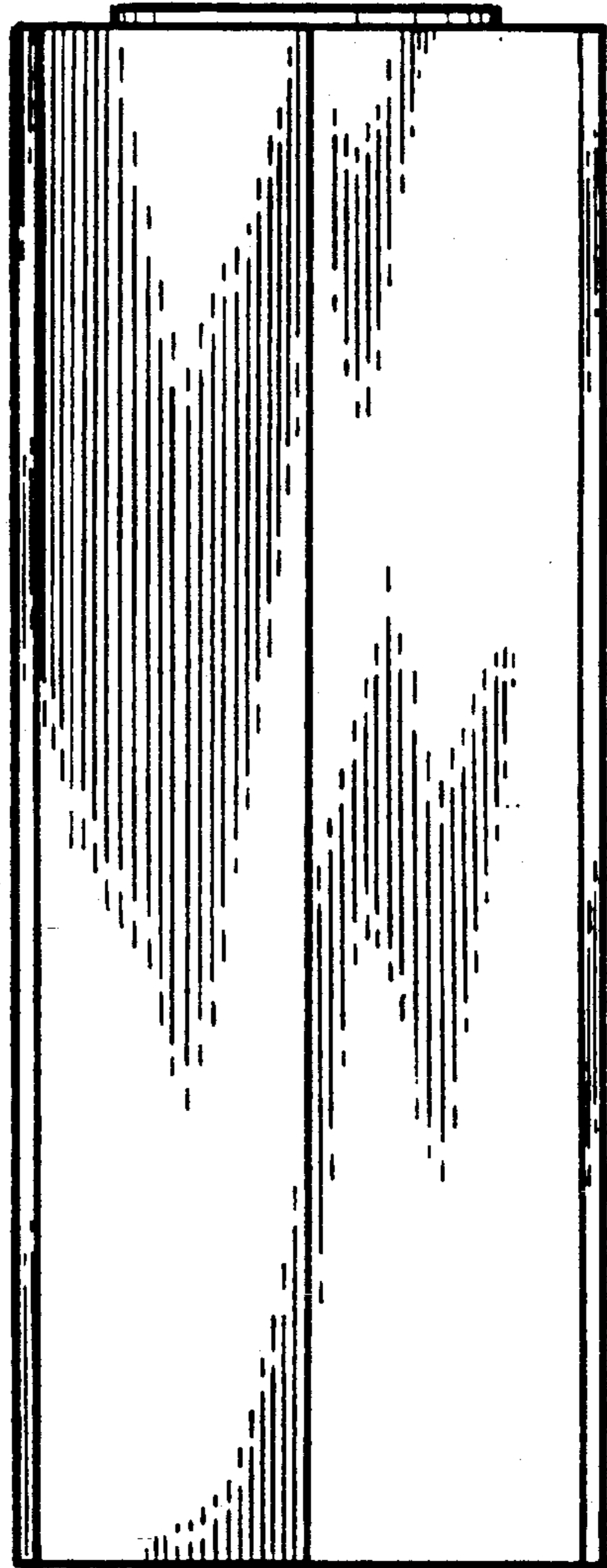


Fig. 5

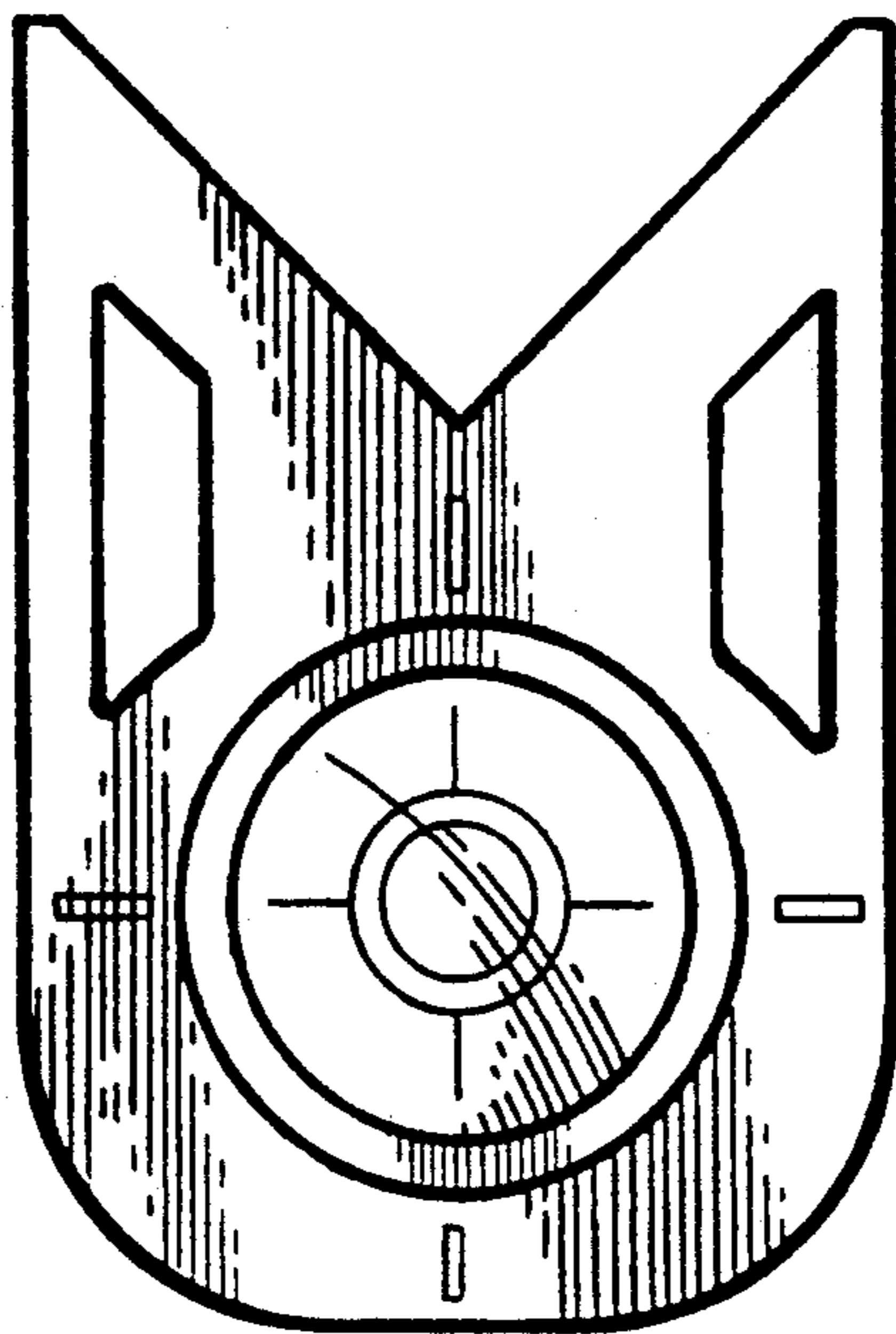


Fig. 6

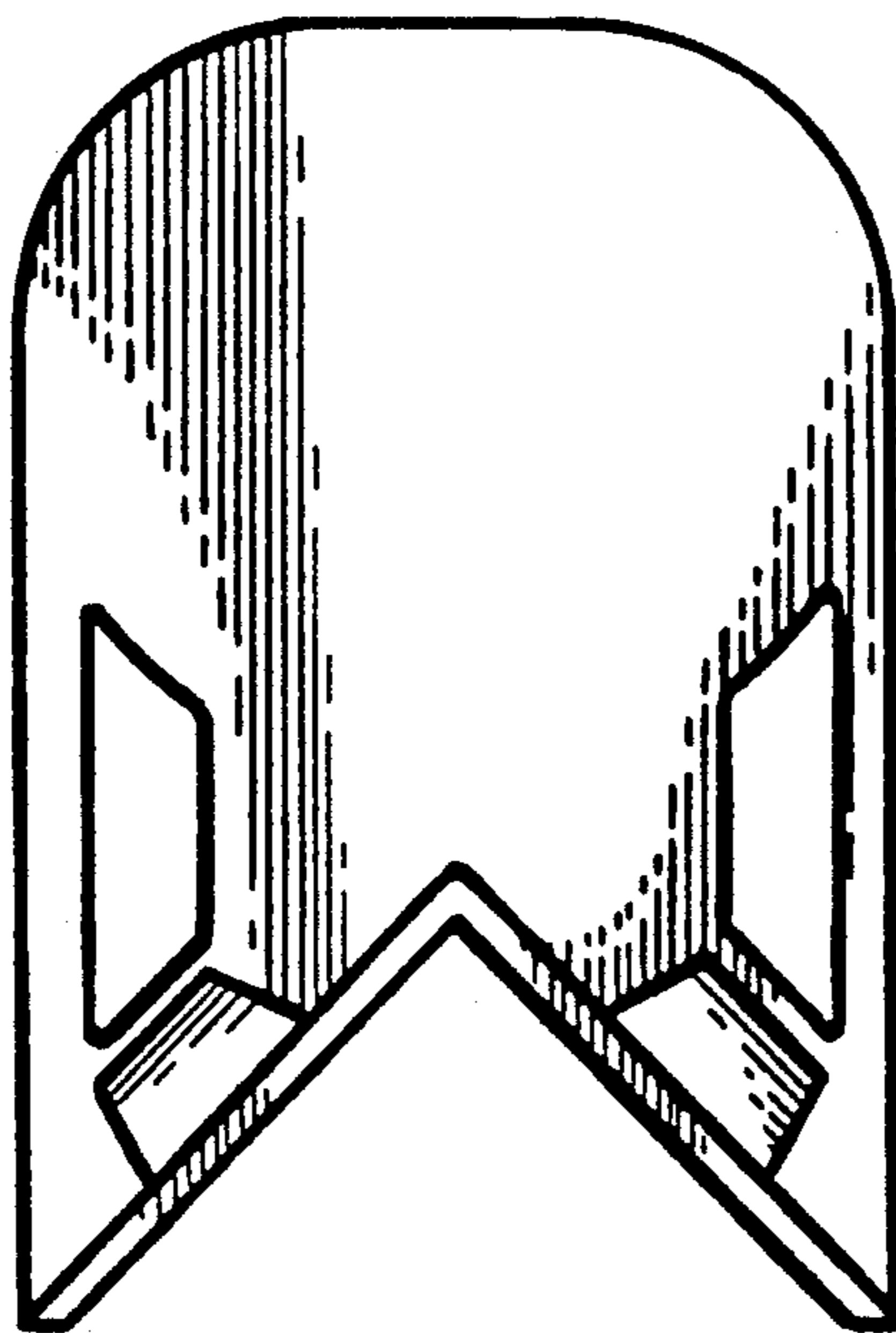


Fig. 7