



US00D332752S

United States Patent [19]
Lemahieu

[11] **Patent Number: Des. 332,752**
[45] **Date of Patent: ** Jan. 26, 1993**

[54] **COMBINED BOTTLE AND CAP**

[75] **Inventor: Thierry Lemahieu, Boulogne Billancourt, France**

[73] **Assignee: Innovation Scientifique Dermatologique, Paris, France**

[**] **Term: 14 Years**

[21] **Appl. No.: 591,528**

[22] **Filed: Oct. 2, 1990**

[30] **Foreign Application Priority Data**

Apr. 2, 1990 [FR] France 902191

[52] **U.S. Cl. D9/567; D9/516; D9/544**

[58] **Field of Search D9/409, 367, 322, 403-413; 215/1 R, 1 C**

[56] **References Cited**

U.S. PATENT DOCUMENTS

D. 71,299 10/1926 Rebel D9/403
D. 93,724 10/1934 Key D9/408

D. 180,828 8/1957 Funkey D9/412
D. 190,888 7/1961 Arens D9/403
D. 259,252 5/1981 Acker D9/399 X
D. 291,865 9/1987 Carville D9/403 X

OTHER PUBLICATIONS

Owens-Illinois Glass Co. Catalog, 1930, p. 179, perfume bottle, top right, item A-694.

Primary Examiner—Theodore M. Shooman

Assistant Examiner—Lucy Lieberman

Attorney, Agent, or Firm—Cushman, Darby & Cushman

[57] **CLAIM**

The ornamental design for a combined bottle and cap, as shown.

DESCRIPTION

FIG. 1 is a front elevational view of a combined bottle and cap showing my new design;

FIG. 2 is a rear elevational view thereof;

FIG. 3 is a left side elevational view thereof;

FIG. 4 is a right side elevational view thereof;

FIG. 5 is a top plan view thereof; and,

FIG. 6 is a bottom plan view thereof.

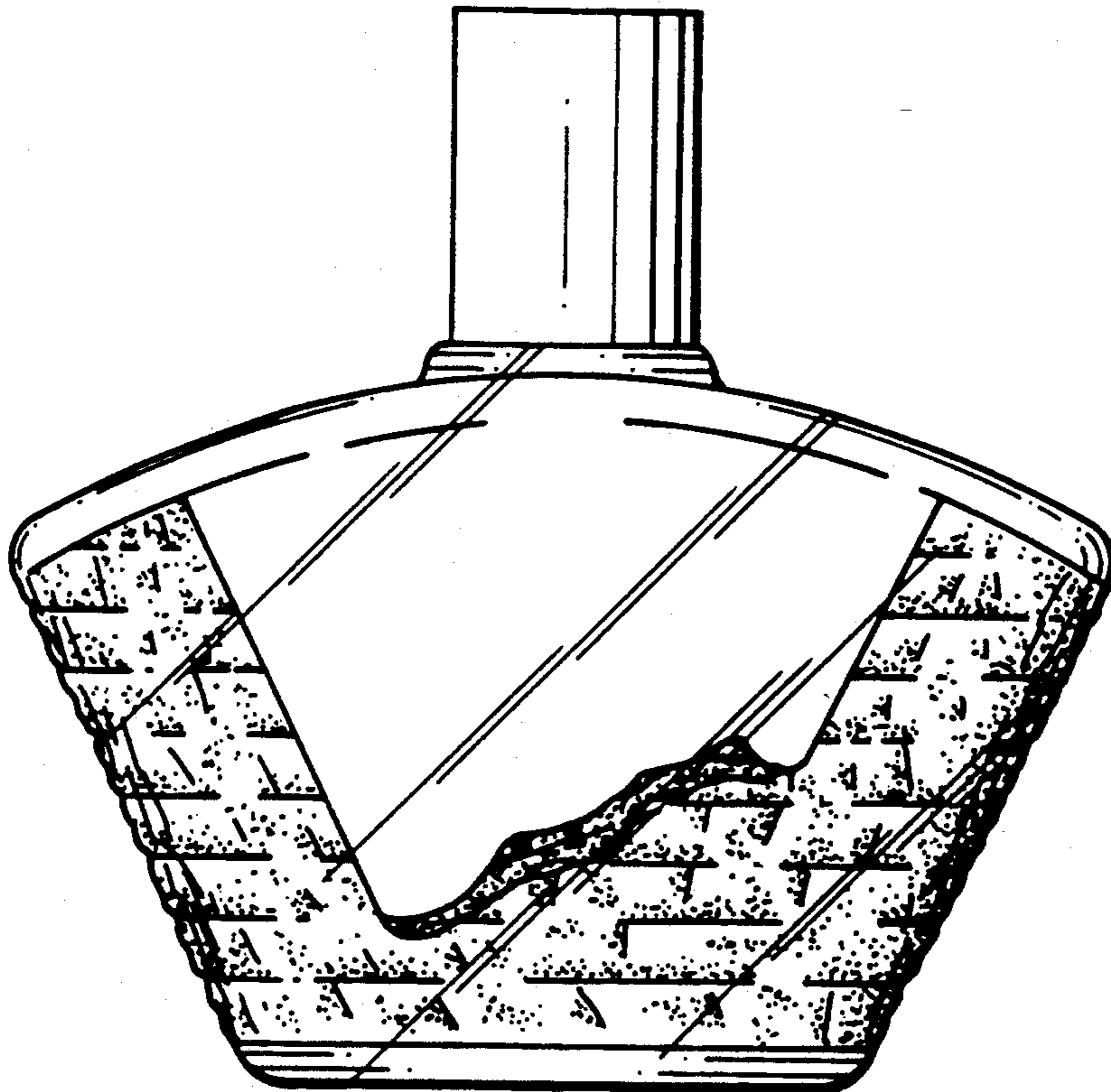


FIG. 1

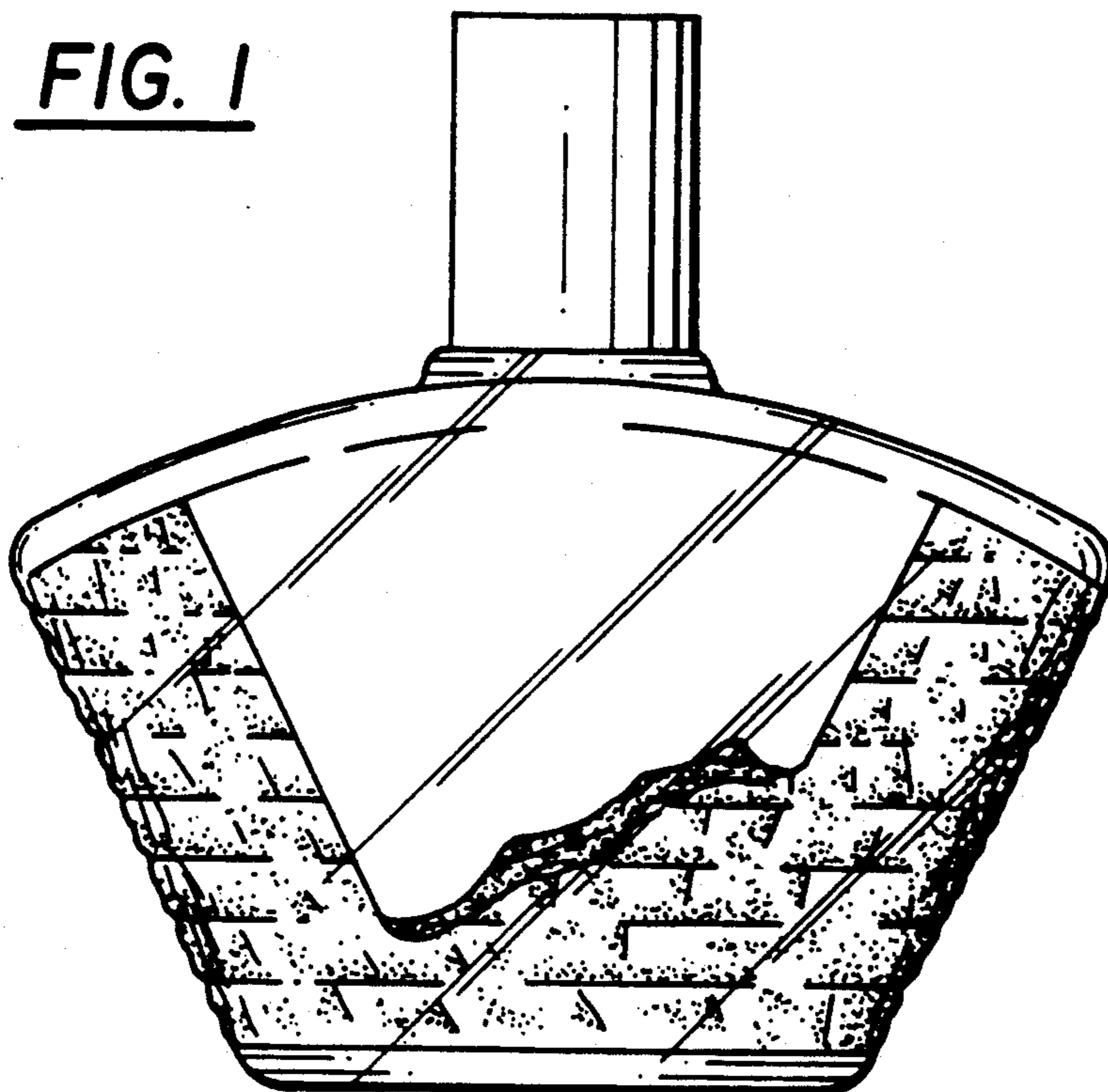


FIG. 2

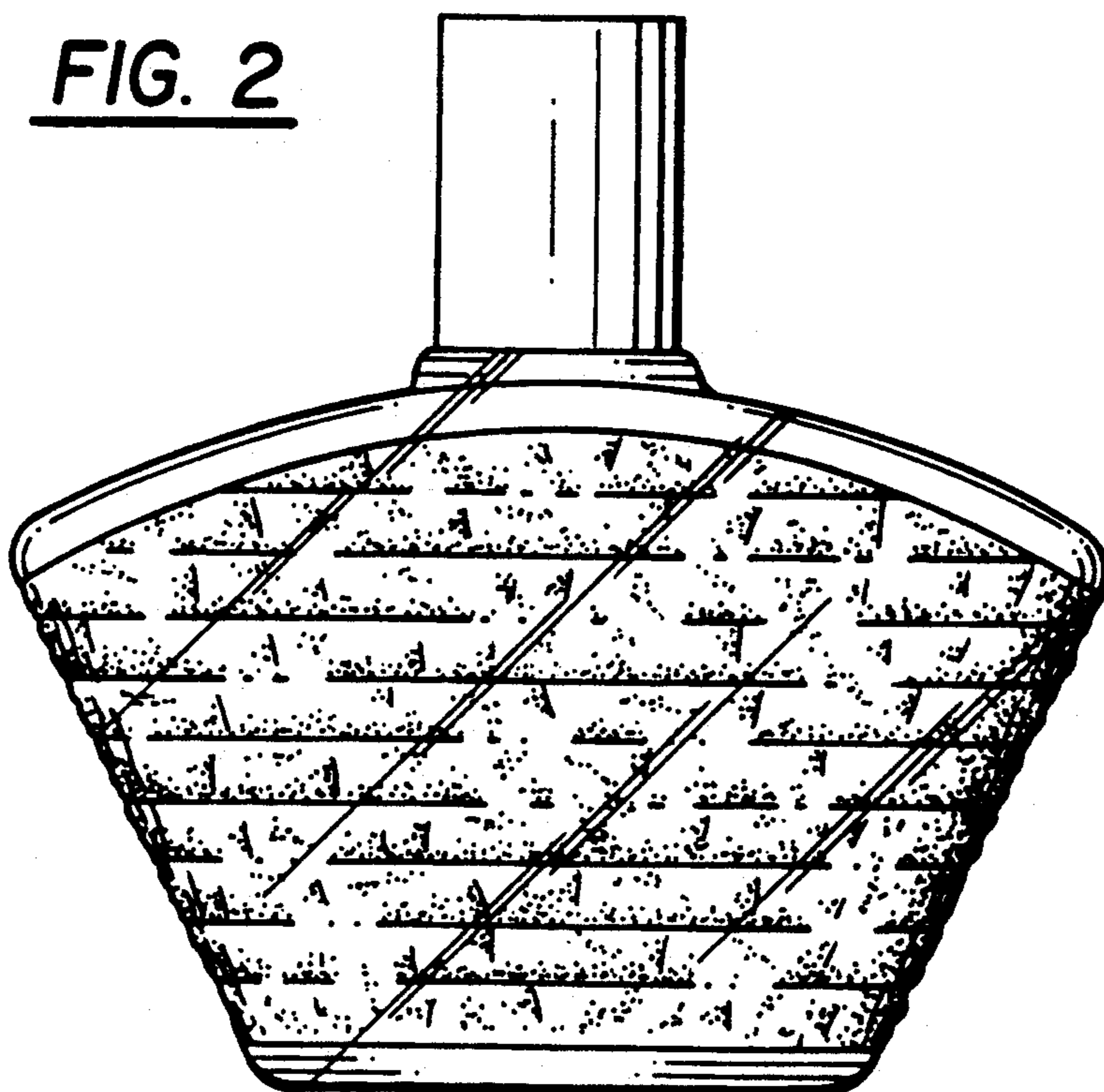


FIG. 3

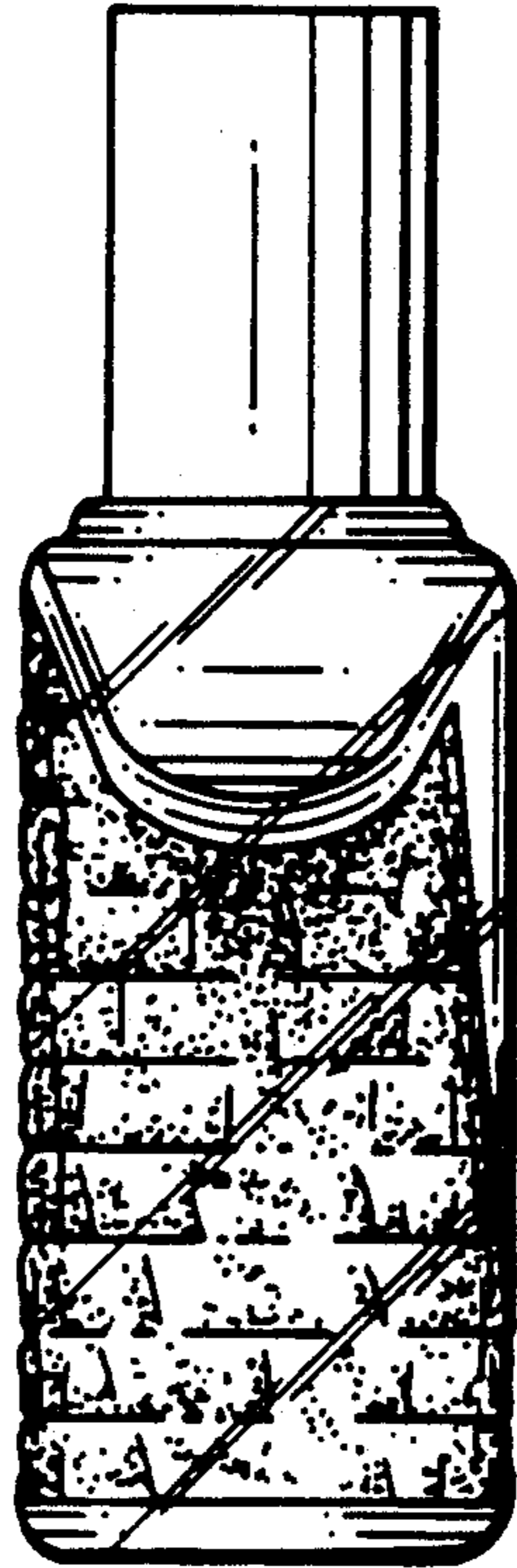


FIG. 4

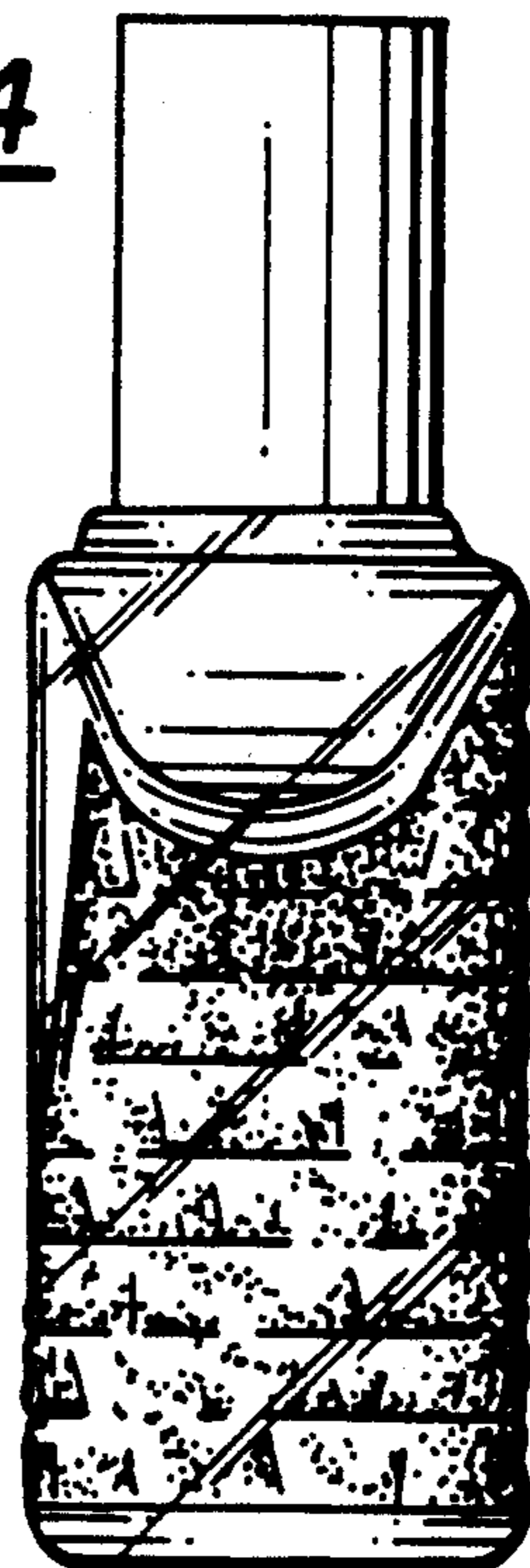


FIG. 5

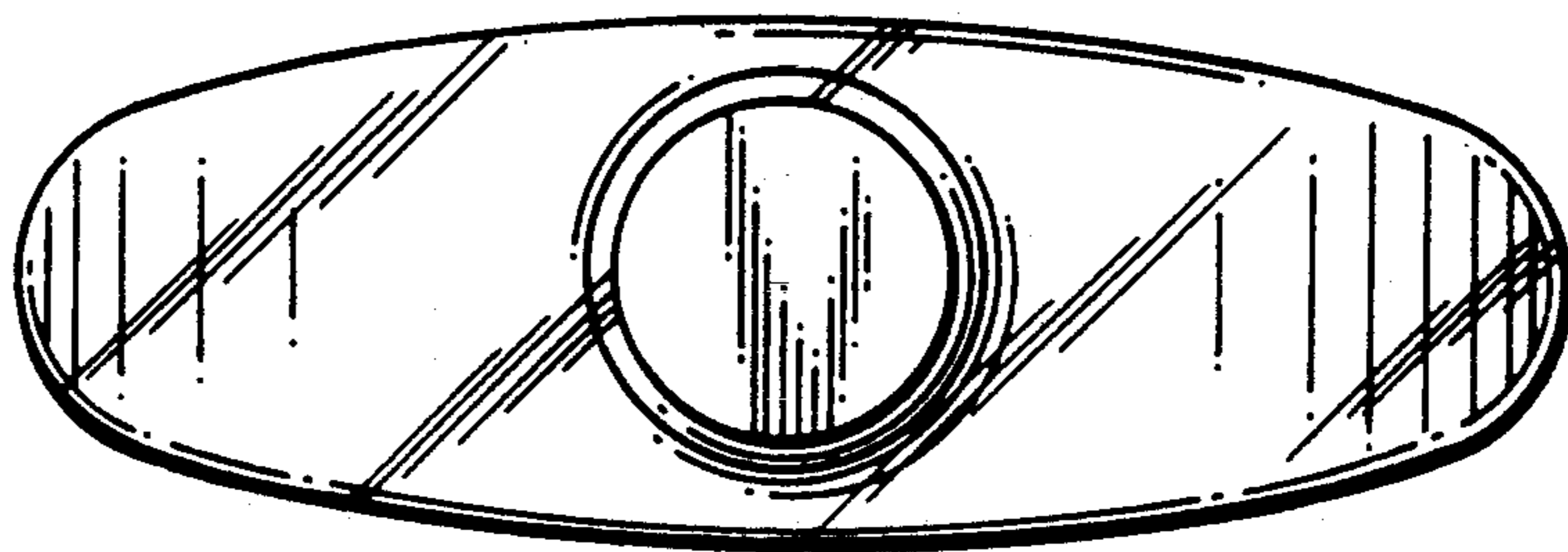


FIG. 6

