



US00D332747S

# United States Patent [19]

[11] Patent Number: **Des. 332,747**

Darr et al.

[45] Date of Patent: **\*\* Jan. 26, 1993**

- [54] BOTTLE WITH HANDLE
- [75] Inventors: **Richard C. Darr, Seville; Ralph D. Satterfield, Ashland, both of Ohio**
- [73] Assignee: **Plastipak Packaging, Inc., Plymouth, Mich.**
- [\*\*] Term: **14 Years**
- [21] Appl. No.: **757,495**
- [22] Filed: **Sep. 11, 1991**
- [52] U.S. Cl. .... **D9/520; D9/531**
- [58] Field of Search ..... **D9/520, 531, 543, 528; 215/1 R, 1 C, 100 A**

- D. 213,763 4/1969 Plummer ..... D9/531
- D. 235,733 7/1975 Platte ..... D9/531
- D. 304,998 12/1989 Pardo et al. .... D9/528
- D. 315,672 3/1991 Peykoff ..... D9/528

*Primary Examiner*—Theodore M. Shooman  
*Assistant Examiner*—Lucy Lieberman  
*Attorney, Agent, or Firm*—Brooks & Kishman

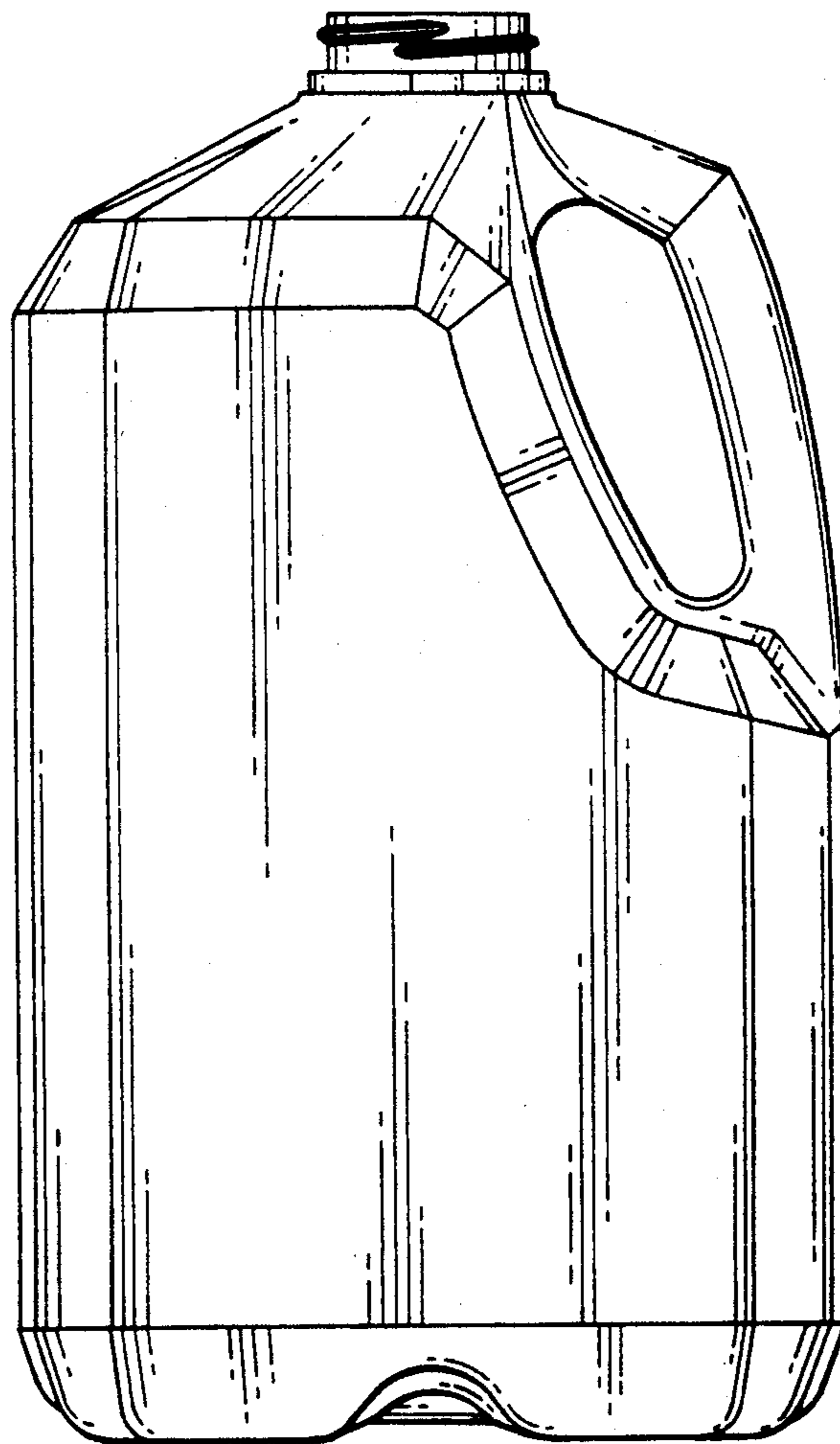
### [57] CLAIM

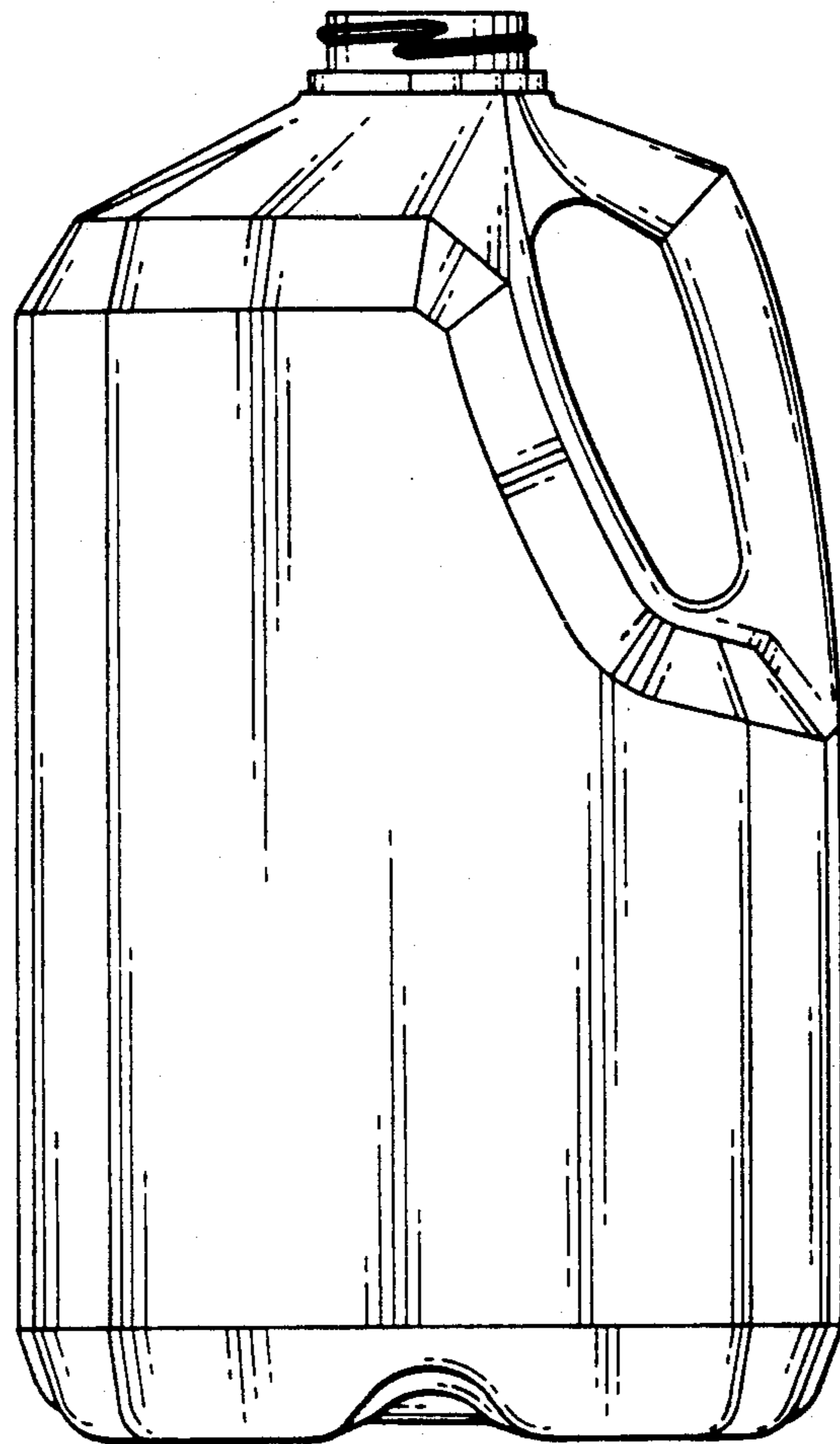
The ornamental design for a bottle with handle, as shown and described.

### DESCRIPTION

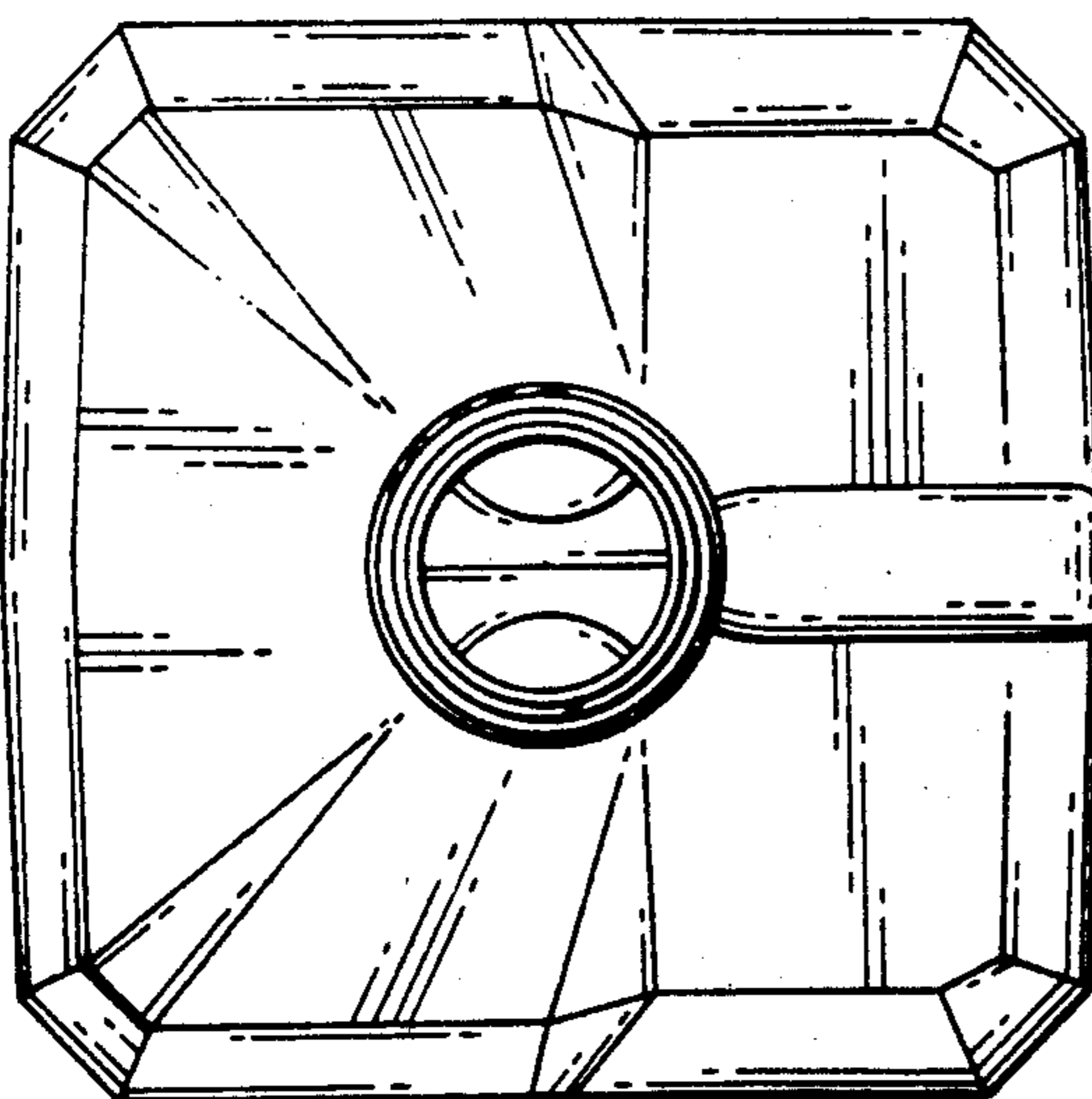
FIG. 1 is a side view of a bottle with handle showing our new design, the opposite side is a mirror image thereto;  
 FIG. 2 is a top view thereof;  
 FIG. 3 is a bottom view thereof;  
 FIG. 4 is a front view thereof; and,  
 FIG. 5 is a rear view thereof.

- [56] **References Cited**
- U.S. PATENT DOCUMENTS**
- D. 194,285 12/1962 Miller ..... D9/531
- D. 195,229 5/1963 Hulterstrum ..... D9/531 X
- D. 212,735 11/1968 Osburn ..... D9/528

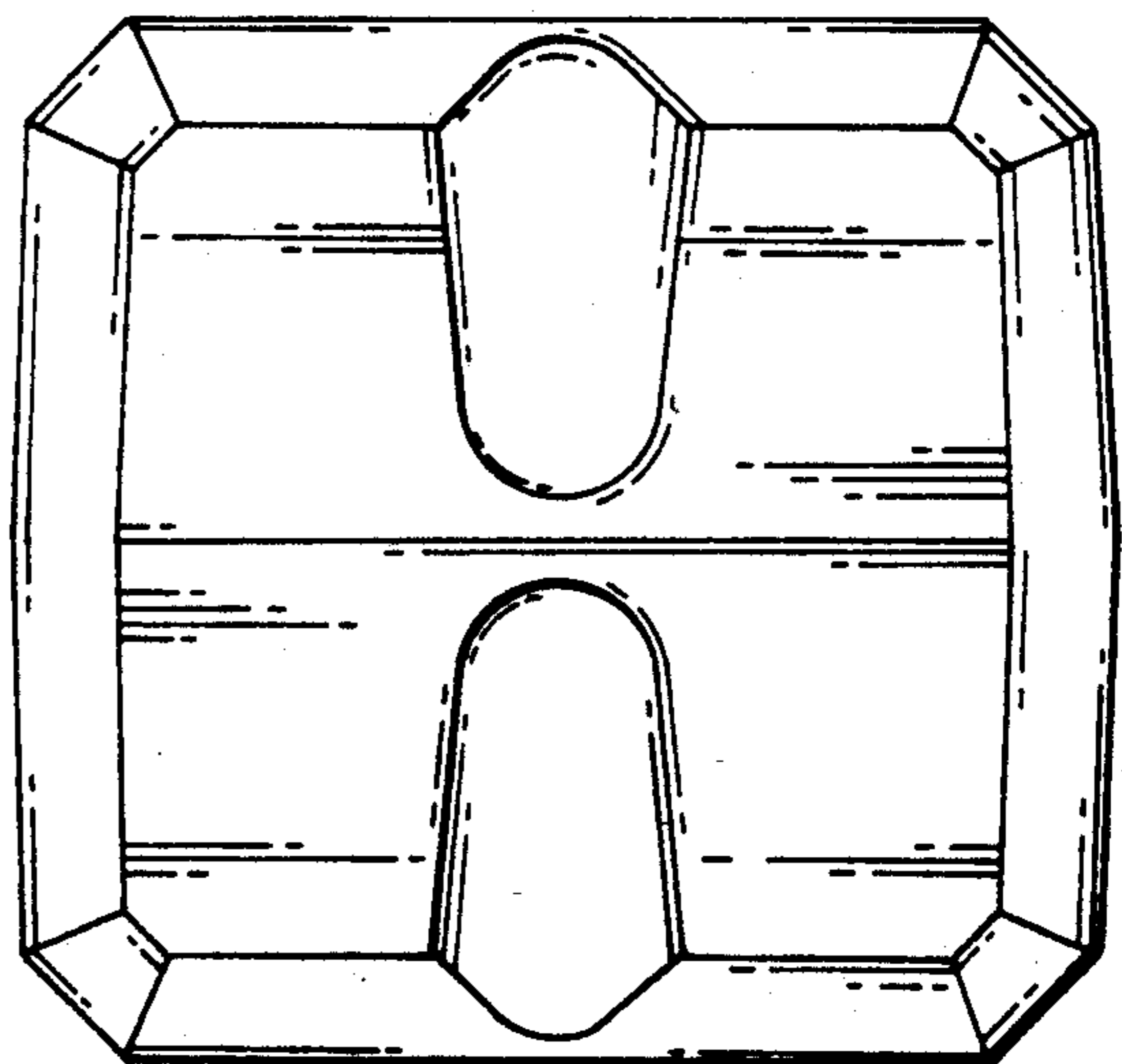




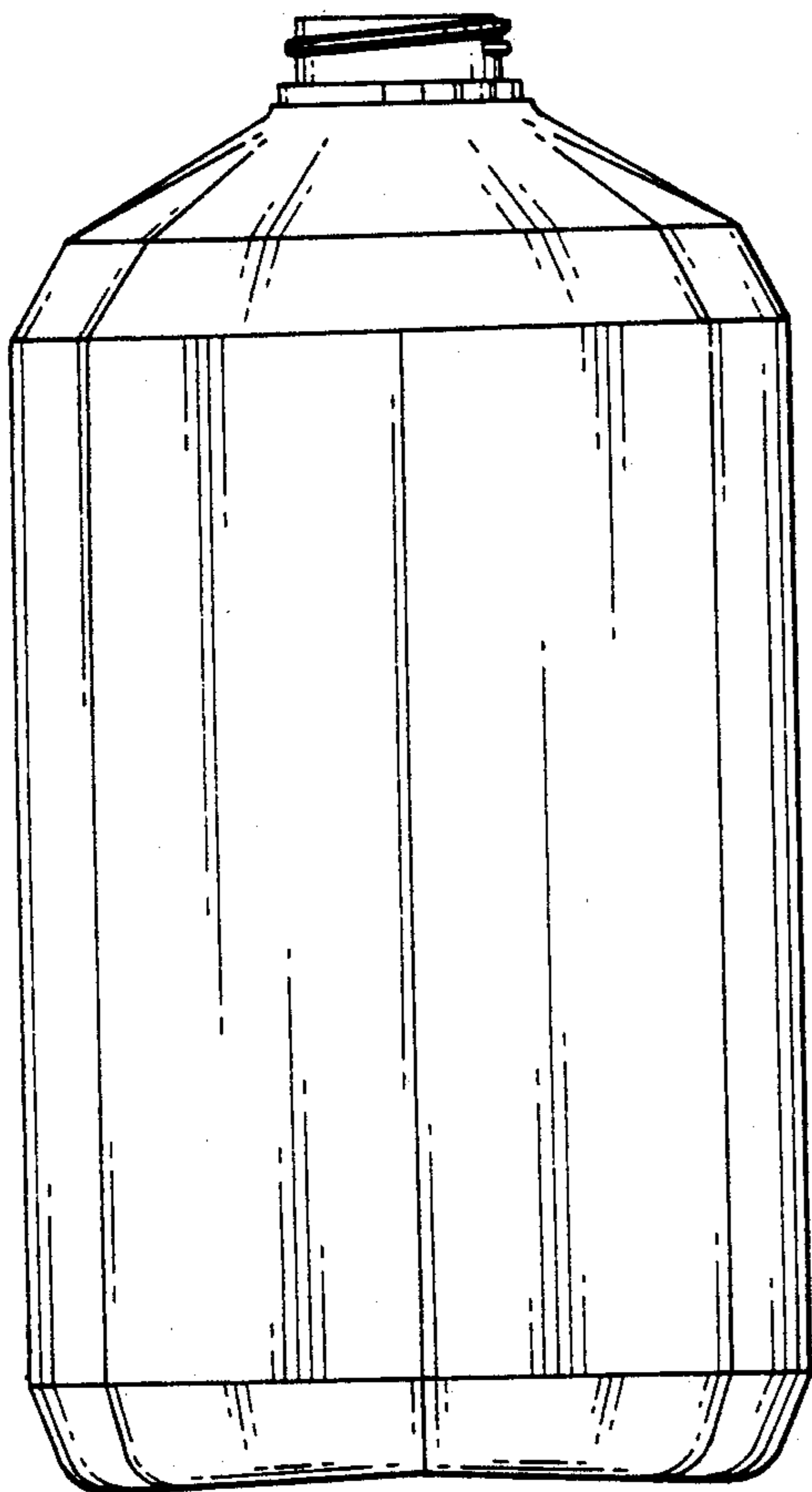
*Fig. 1*



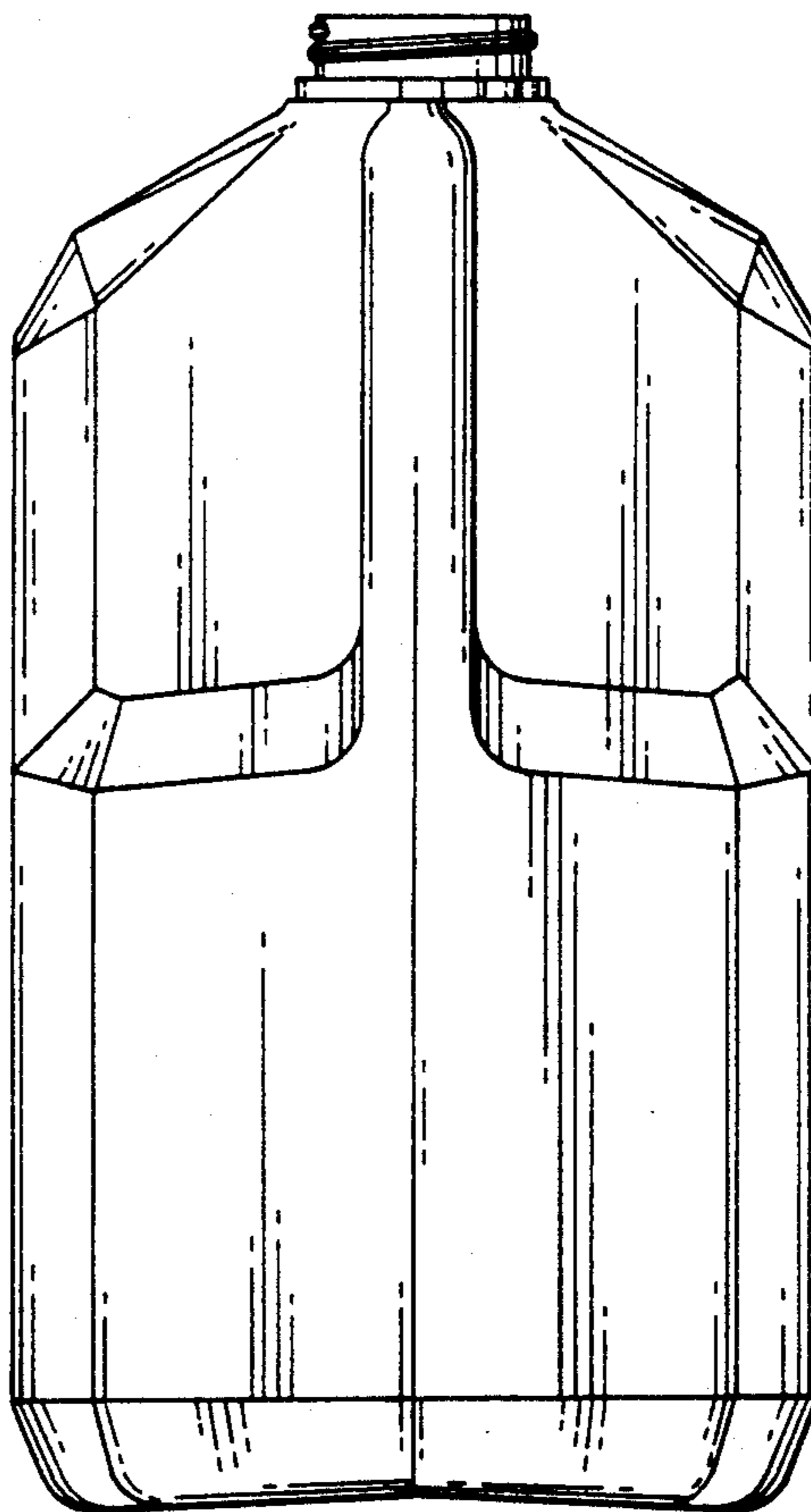
*Fig. 2*



*Fig. 3*



**Fig. 4**



**Fig. 5**