



US00D332737S

United States Patent [19]

[11] Patent Number: **Des. 332,737**

Wentworth et al.

[45] Date of Patent: **** Jan. 26, 1993**

[54] **CEILING TILE KNIFE**
[76] Inventors: **Wayne E. Wentworth; Betty Wentworth, both of RR #4, C-544, Waterview Dr., Sandy Hook, Conn. 06482**

2,784,489 3/1957 Reise 30/151
3,943,627 3/1976 Stanley, Jr. D8/99
4,109,380 8/1978 Anderson D8/99
4,509,260 4/1985 Gringer 30/335
4,578,865 4/1986 Keller D8/99

[**] Term: **14 Years**

Primary Examiner—Bernard Ansher
Assistant Examiner—P. Hyder
Attorney, Agent, or Firm—Terry M. Gernstein

[21] Appl. No.: **417,816**

[22] Filed: **Oct. 5, 1989**

[52] U.S. Cl. **D8/98**

[58] Field of Search D8/98, 99; 30/335, 337, 30/338, 339, 151

[57] **CLAIM**

The ornamental design for a ceiling tile knife, as shown and described.

DESCRIPTION

[56] **References Cited**

U.S. PATENT DOCUMENTS

D. 249,325	9/1978	Rollband	D8/99
D. 290,333	6/1987	Pashley	D8/99
D. 293,202	12/1987	West et al.	D8/99
D. 296,297	6/1988	Weimann et al.	D8/99
D. 310,474	9/1990	Bartsch et al.	D8/99
D. 310,475	9/1990	Weimann	D8/99

FIG. 1 is a perspective view of a ceiling tile knife showing our new design;
FIG. 2 is a front elevational view thereof;
FIG. 3 is a top plan view thereof;
FIG. 4 is a left side elevational view thereof;
FIG. 5 is a right side elevational view thereof;
FIG. 6 is a rear elevational view thereof; and,
FIG. 7 is a bottom plan view thereof.

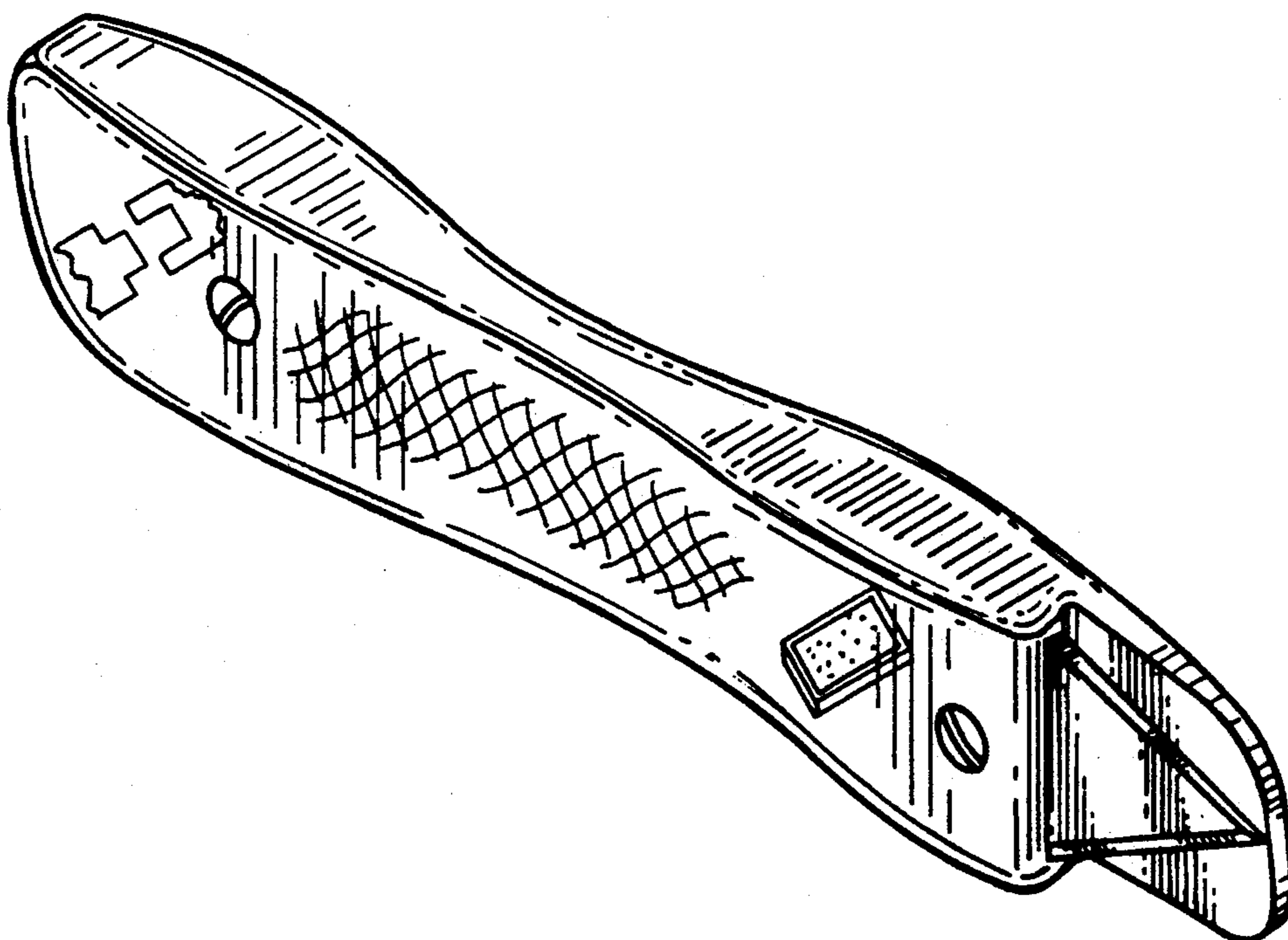


FIG. 4



FIG. 3

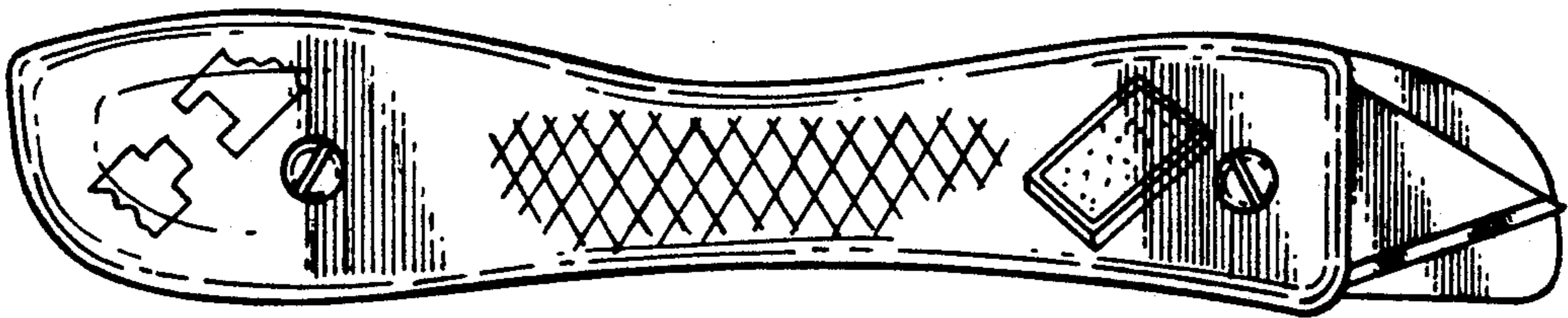


FIG. 2

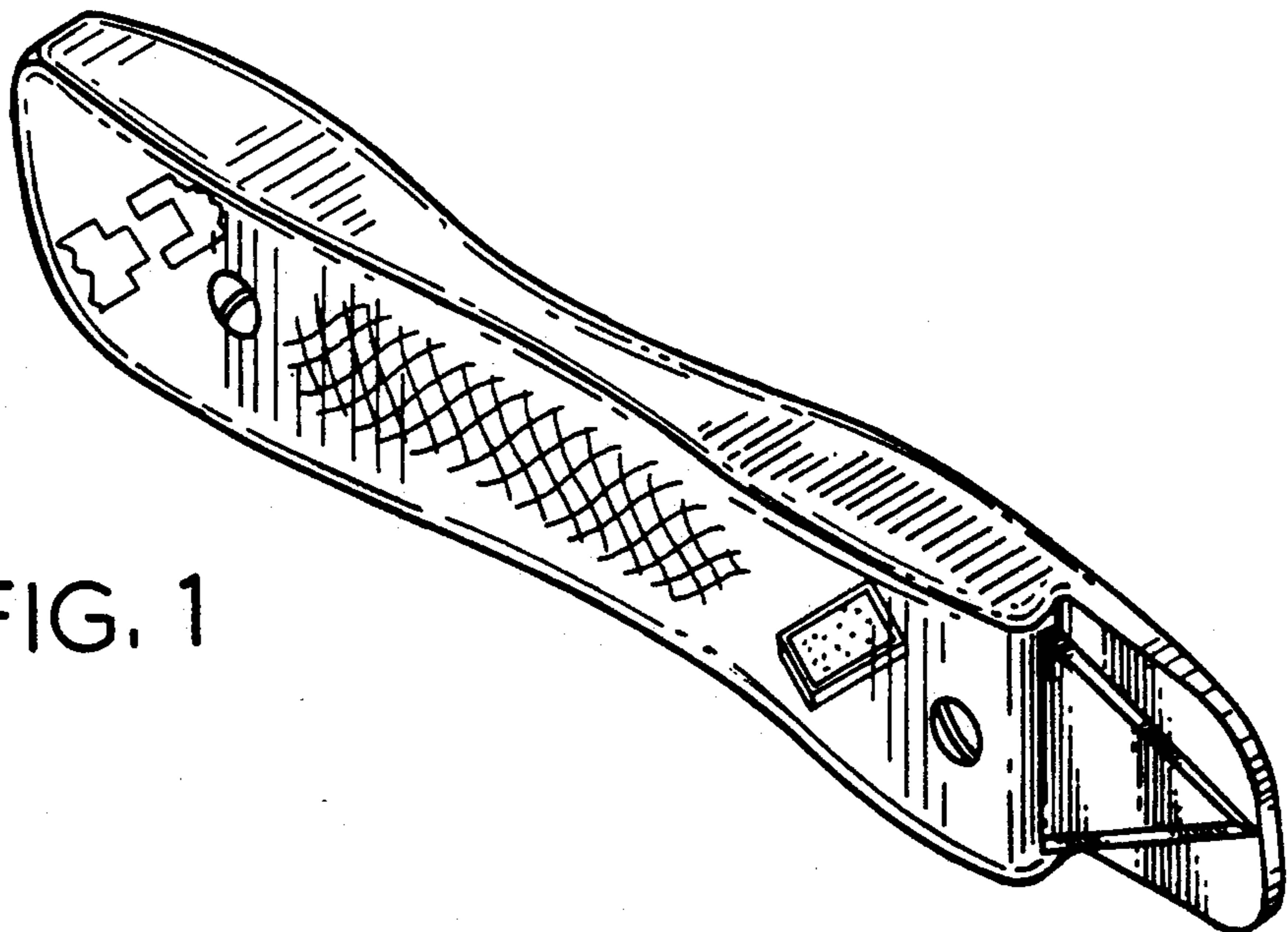


FIG. 1



FIG. 5

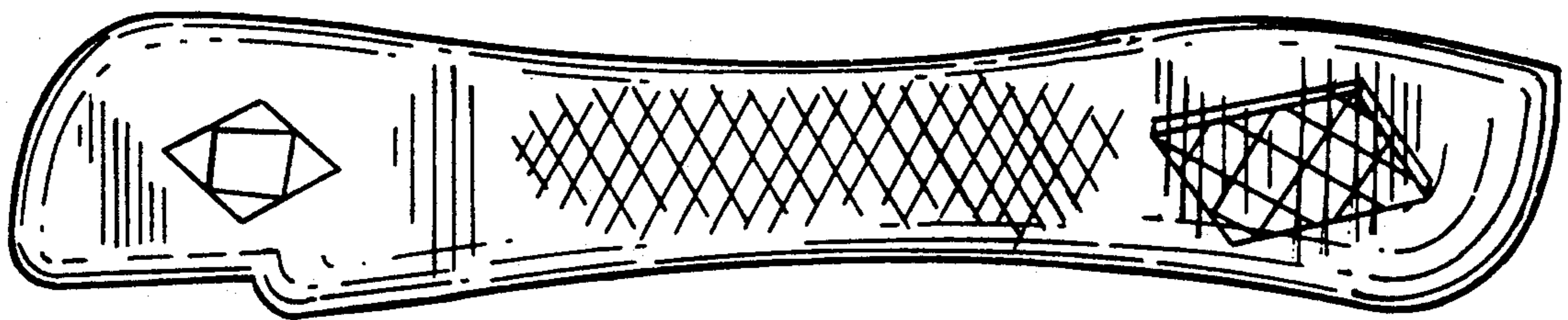


FIG. 6

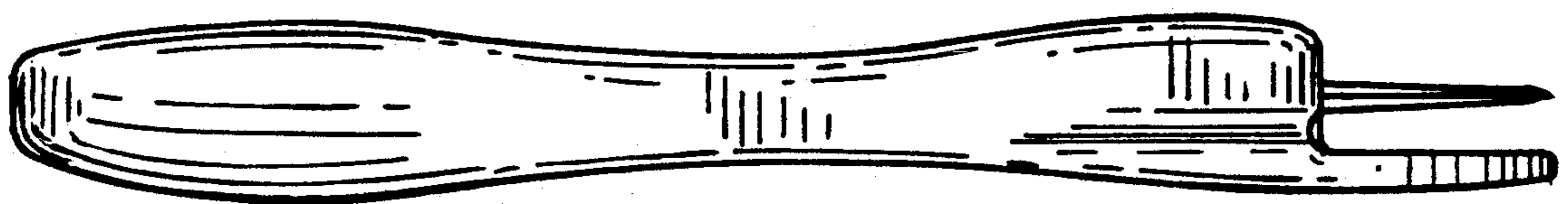


FIG. 7