



US00D332735S

United States Patent [19]

Fushiya et al.

[11] Patent Number: Des. 332,735

[45] Date of Patent: ** Jan. 26, 1993

[54] PORTABLE ELECTRIC CIRCULAR SAW

[75] Inventors: Fusao Fushiya; Kiyotaka Ichikawa, both of Anjo, Japan

[73] Assignee: Makita Electric Works, Ltd., Anjo, Japan

[**] Term: 14 Years

[21] Appl. No.: 611,867

[22] Filed: Nov. 13, 1990

[30] Foreign Application Priority Data

May 31, 1990 [JP] Japan 2-18454

[52] U.S. Cl. D8/66

[58] Field of Search D8/66; 30/381-387

[56] References Cited

U.S. PATENT DOCUMENTS

D. 159,043 6/1950 Bushnell D8/66

D. 277,118 1/1985 Klawitter D8/66
D. 315,854 4/1991 Kawakami et al. D8/67 X
4,516,324 5/1985 Heininger et al. D8/66 X

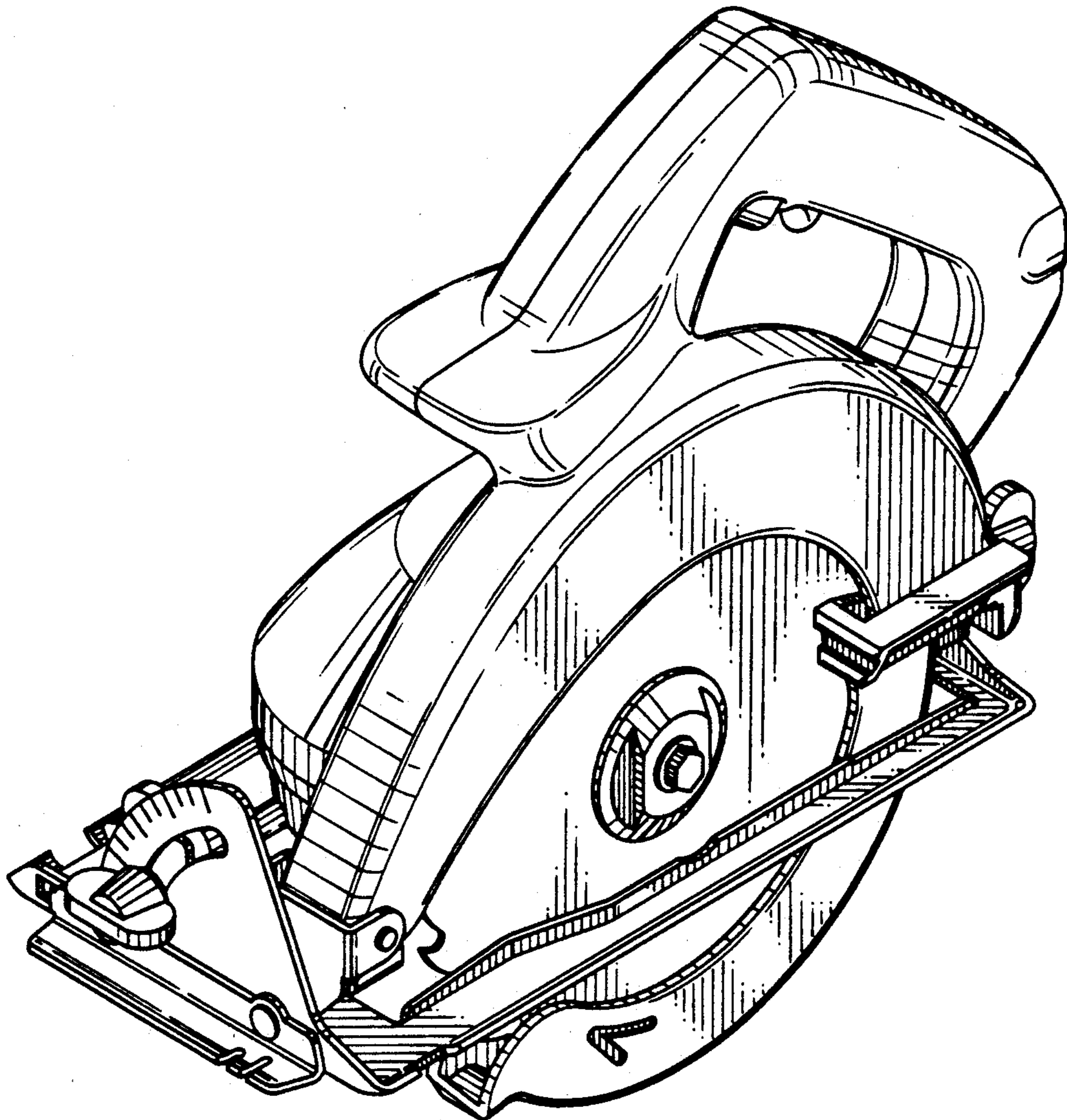
Primary Examiner—Alan P. Douglas
Assistant Examiner—Jeff Musgrove
Attorney, Agent, or Firm—Dennison, Meserole, Pollack & Scheiner

[57] CLAIM

The ornamental design for a portable electric circular saw, as shown and described.

DESCRIPTION

FIG. 1 is a perspective view of a portable electric circular saw showing our new design; FIG. 2 is a front elevational view thereof; FIG. 3 is a rear elevational view thereof; FIG. 4 is a left side elevational view thereof; FIG. 5 is a right side elevational view thereof; FIG. 6 is a top plan view thereof; and, FIG. 7 is a bottom plan view thereof.



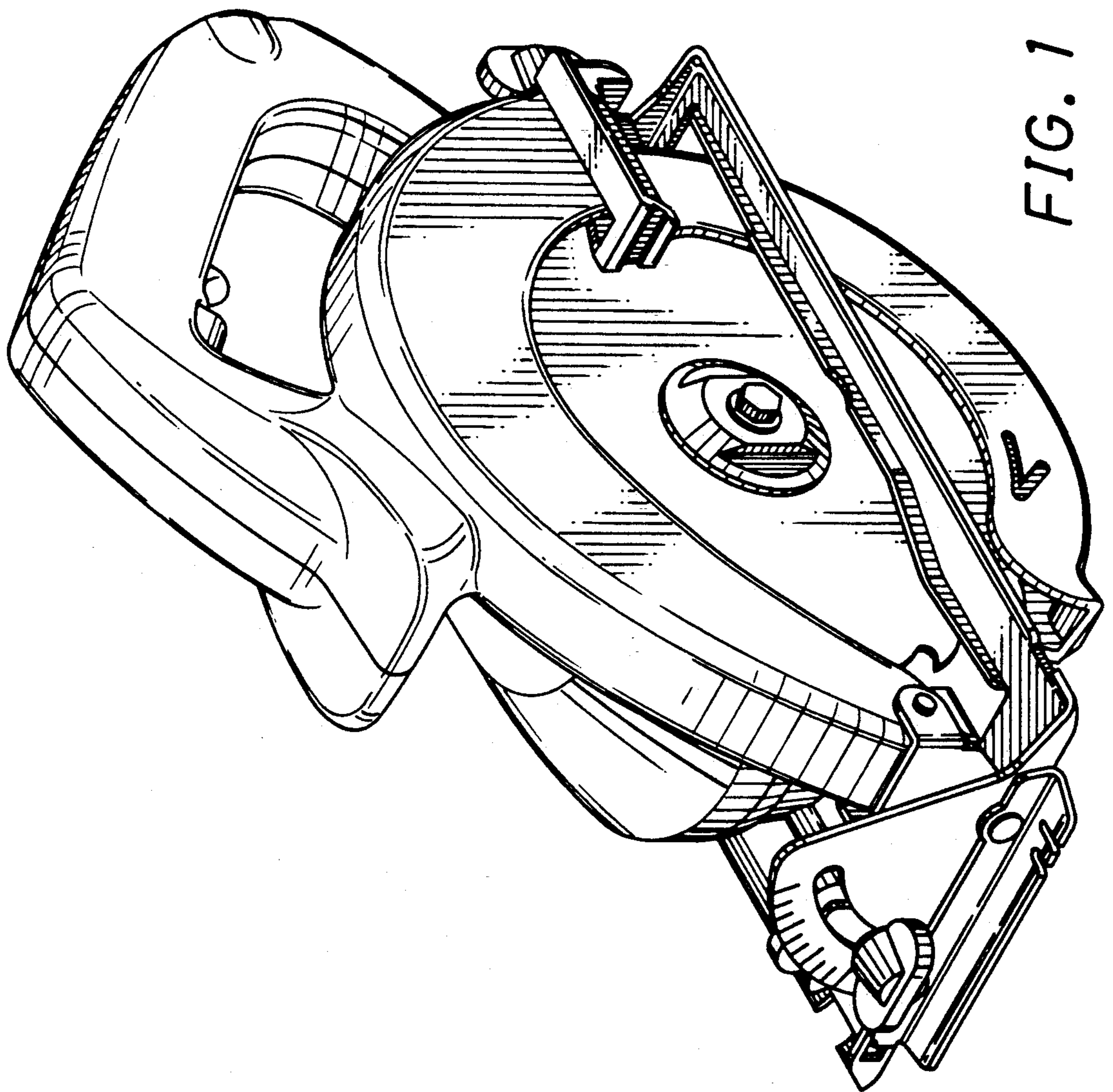


FIG. 1

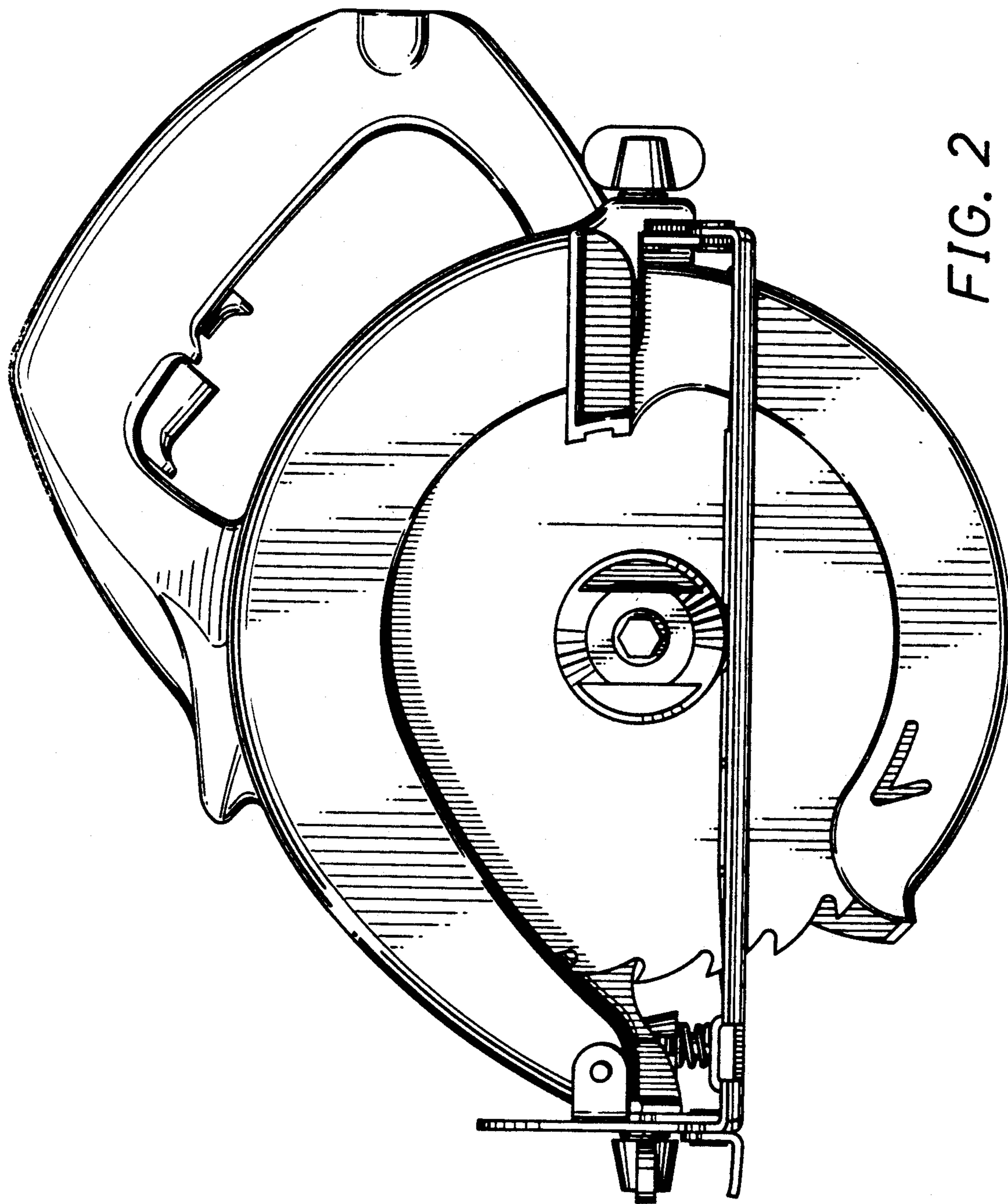


FIG. 2

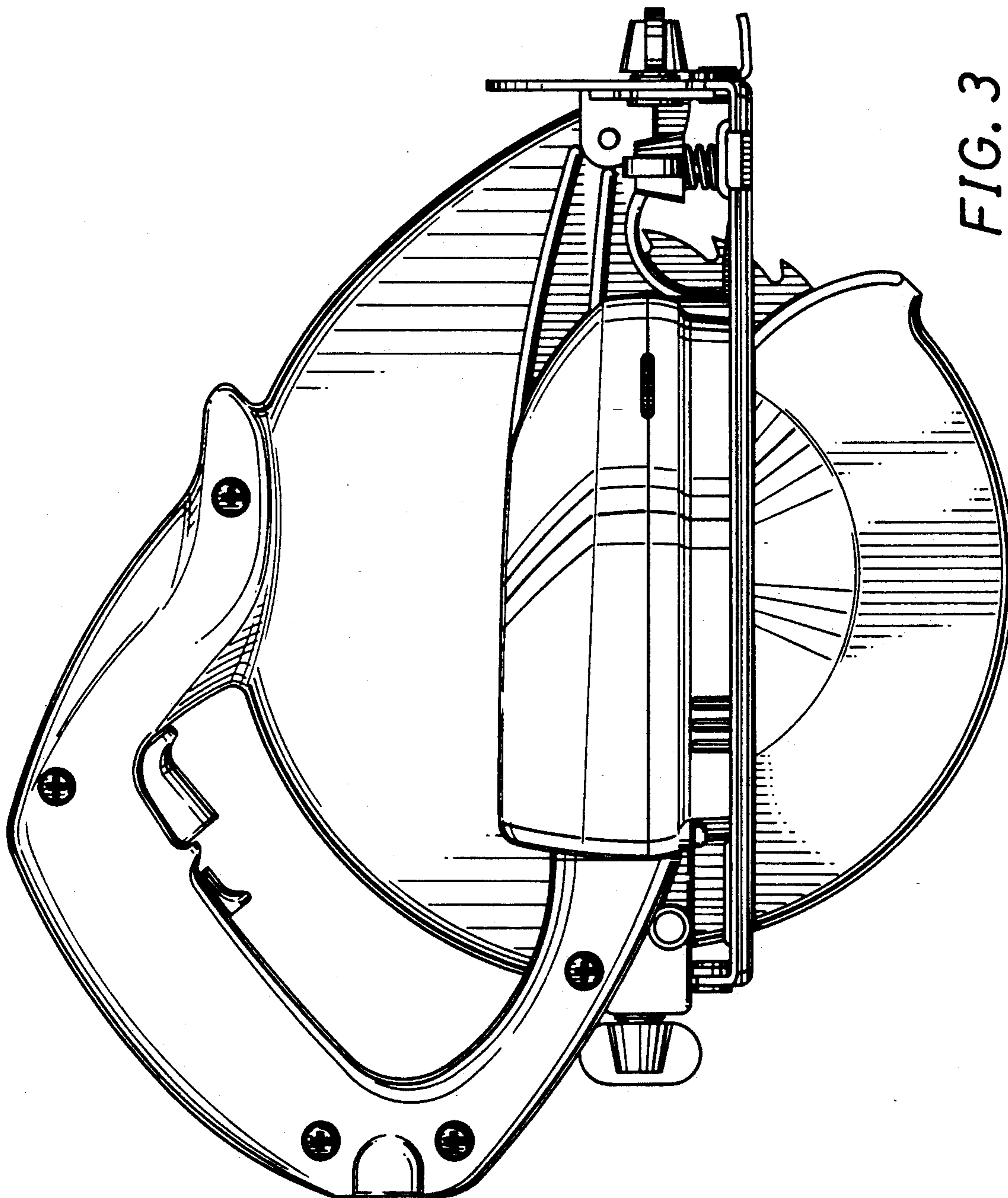


FIG. 3

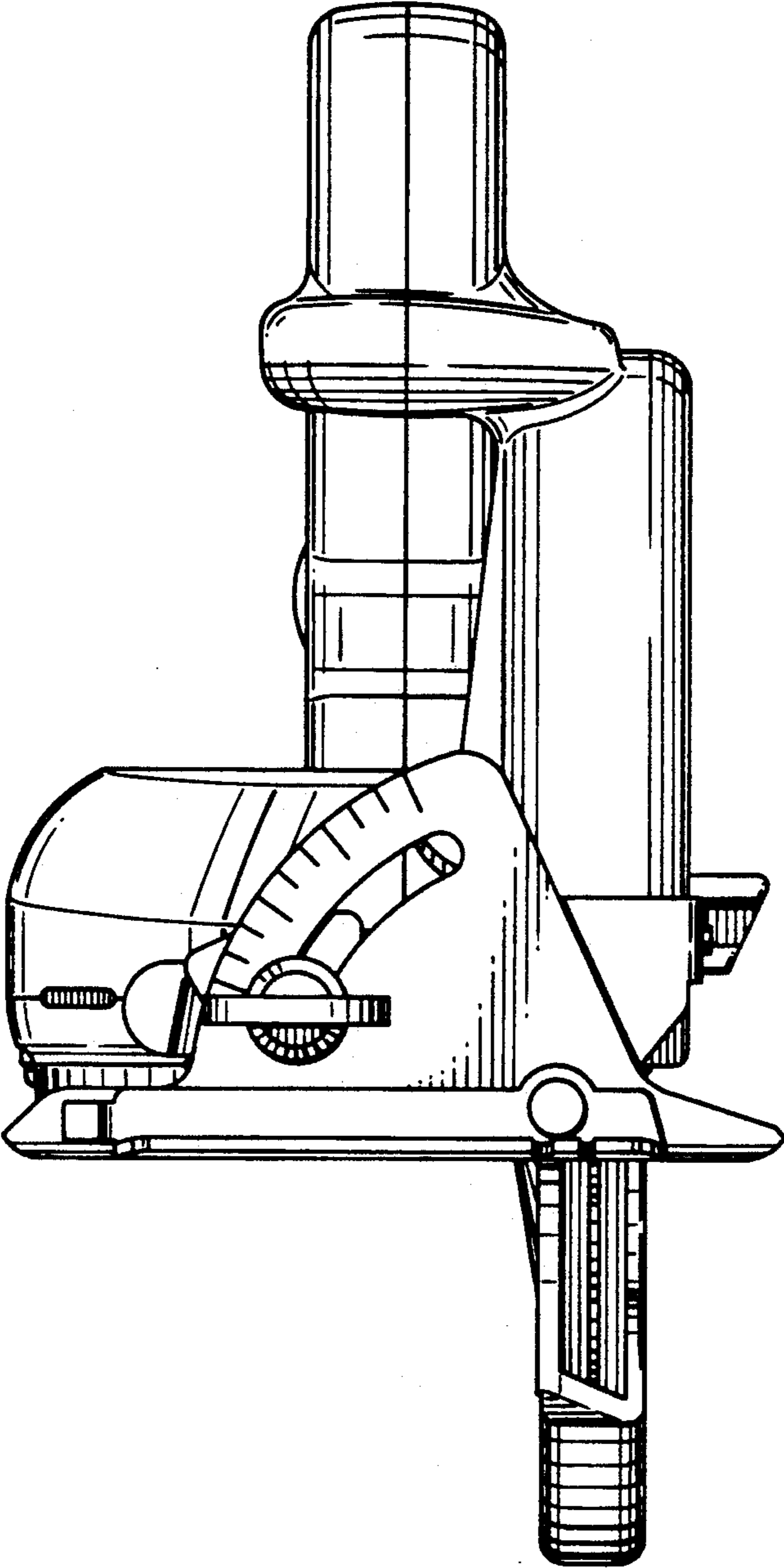


FIG. 4

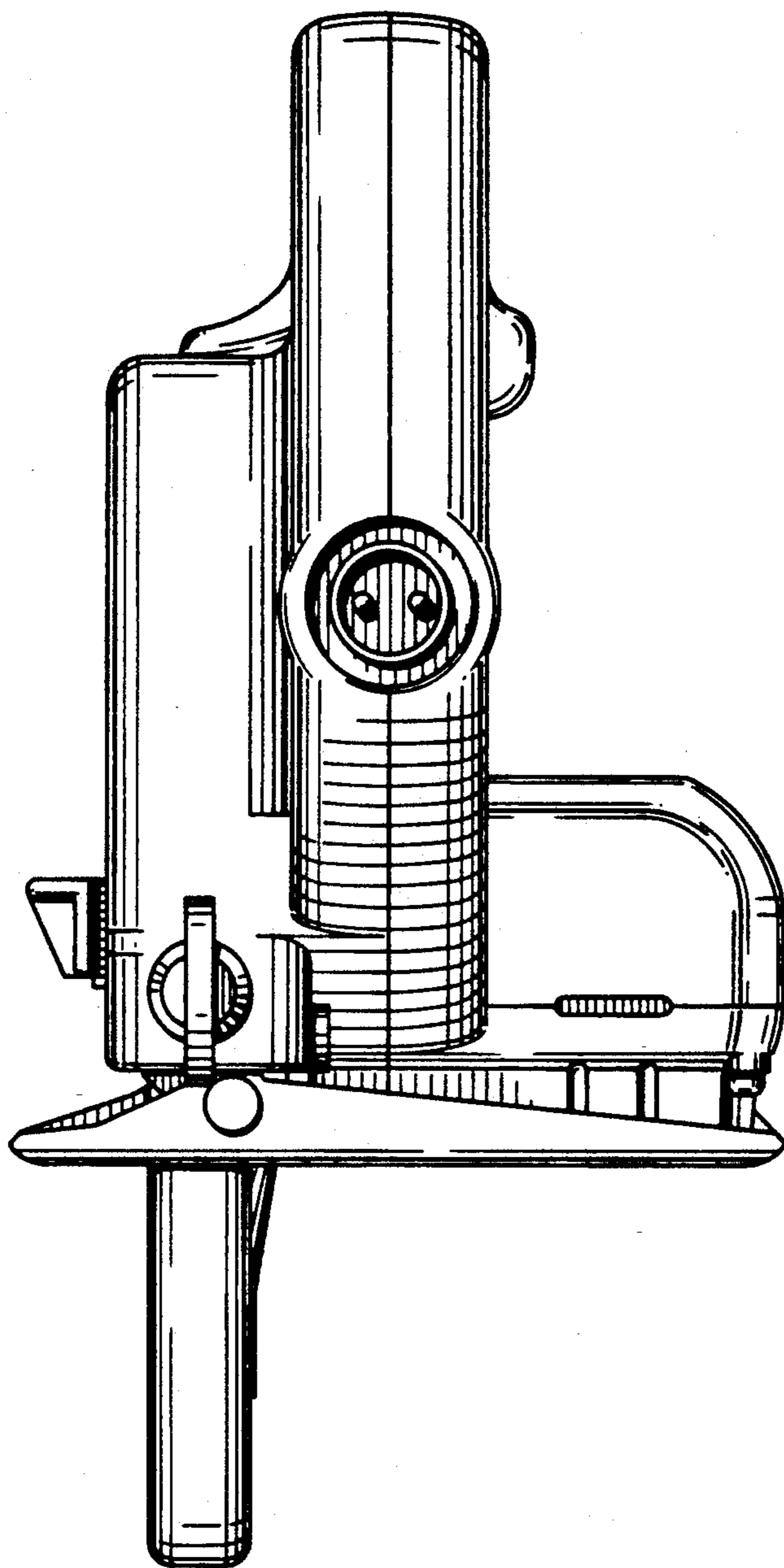


FIG. 5

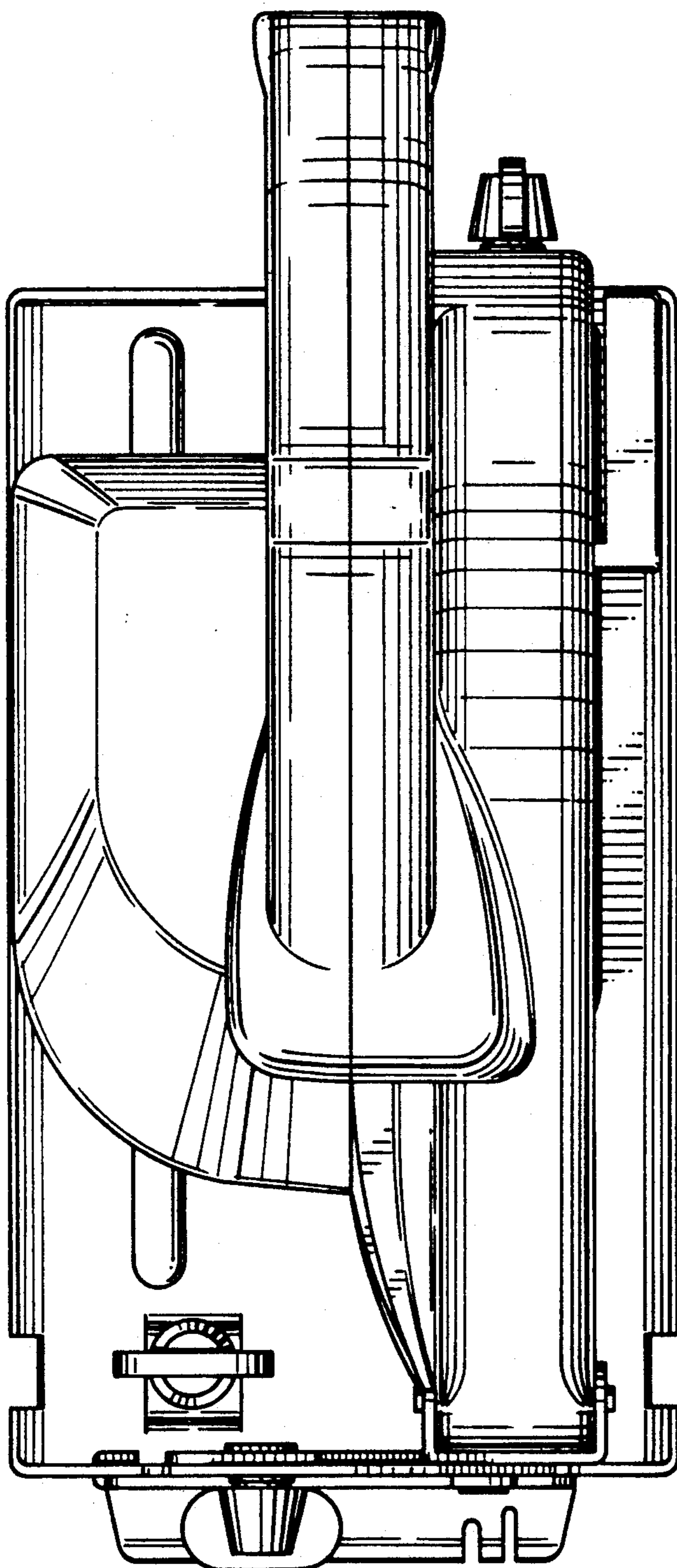


FIG. 6

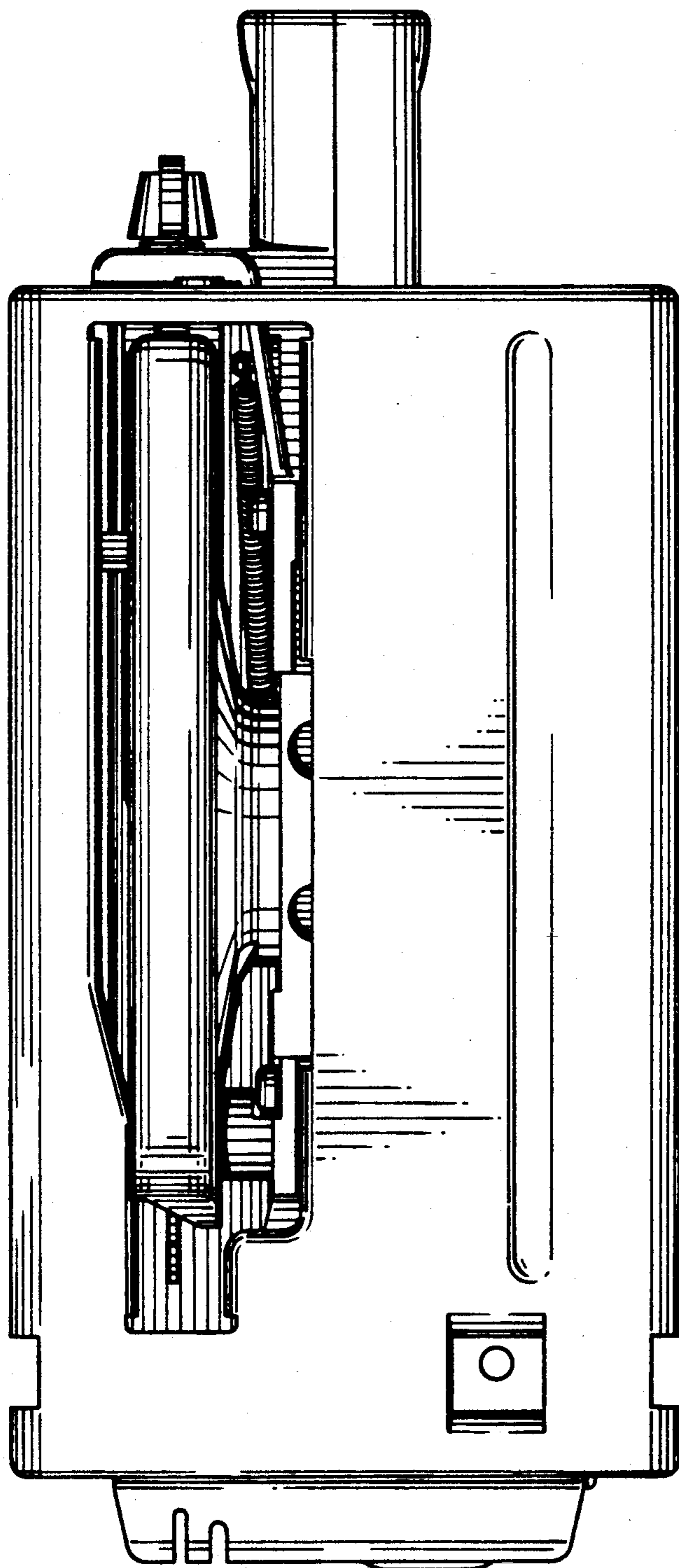


FIG. 7