



US00D332732S

United States Patent [19]

[11] Patent Number: Des. 332,732

Matsuno

[45] Date of Patent: ** Jan. 26, 1993

[54] ELECTRIC STAPLER

D. 304,416	11/1989	Tanigami	D8/49
D. 319,377	8/1991	Sadashima	D8/49
2,975,424	3/1961	Oussani	227/131
4,726,505	2/1988	Okazaki	227/132

[75] Inventor: Moritoshi Matsuno, Narashino, Japan

[73] Assignee: Marvzen Kabushiki Kaisha, Tokyo, Japan

Primary Examiner—Bernard Ansher
Assistant Examiner—R. Barkai
Attorney, Agent, or Firm—Morrison Law Firm

[**] Term: 14 Years

[21] Appl. No.: 486,279

[57] CLAIM

[22] Filed: Feb. 27, 1990

The ornamental design for an electric stapler, as shown and described.

[30] Foreign Application Priority Data

DESCRIPTION

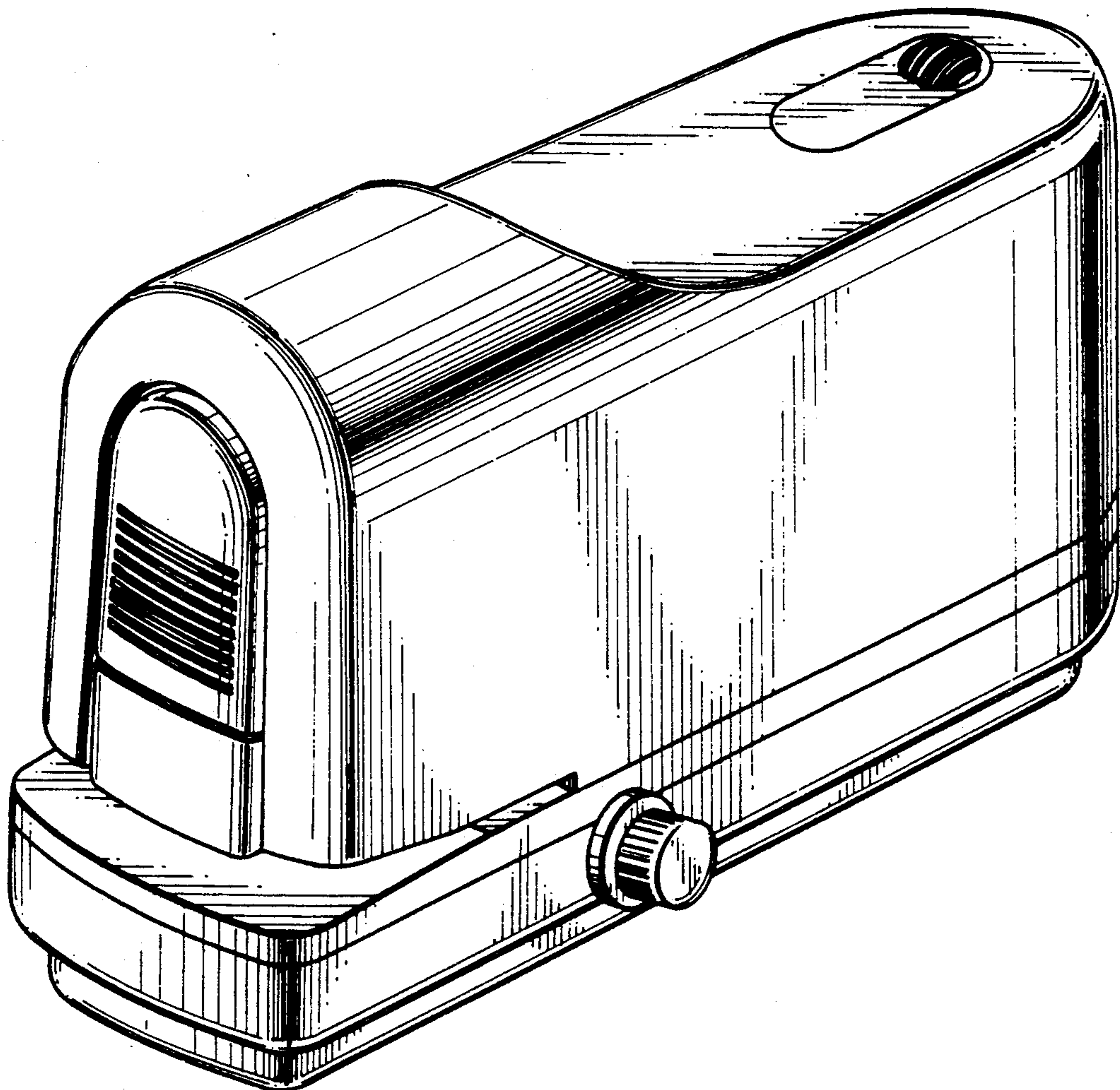
Oct. 4, 1989 [JP] Japan 1-36272
 [52] U.S. Cl. D8/50
 [58] Field of Search D8/49, 50; 227/120, 227/127, 131

FIG. 1 is a perspective view of an electric stapler showing my new design;
 FIG. 2 is a front elevational view thereof;
 FIG. 3 is a rear elevational view thereof;
 FIG. 4 is a top plan view thereof;
 FIG. 5 is a bottom plan view thereof;
 FIG. 6 is a left side elevational view thereof; and,
 FIG. 7 is a right side elevational view thereof.

[56] References Cited

U.S. PATENT DOCUMENTS

D. 219,725 1/1971 Sano D8/49



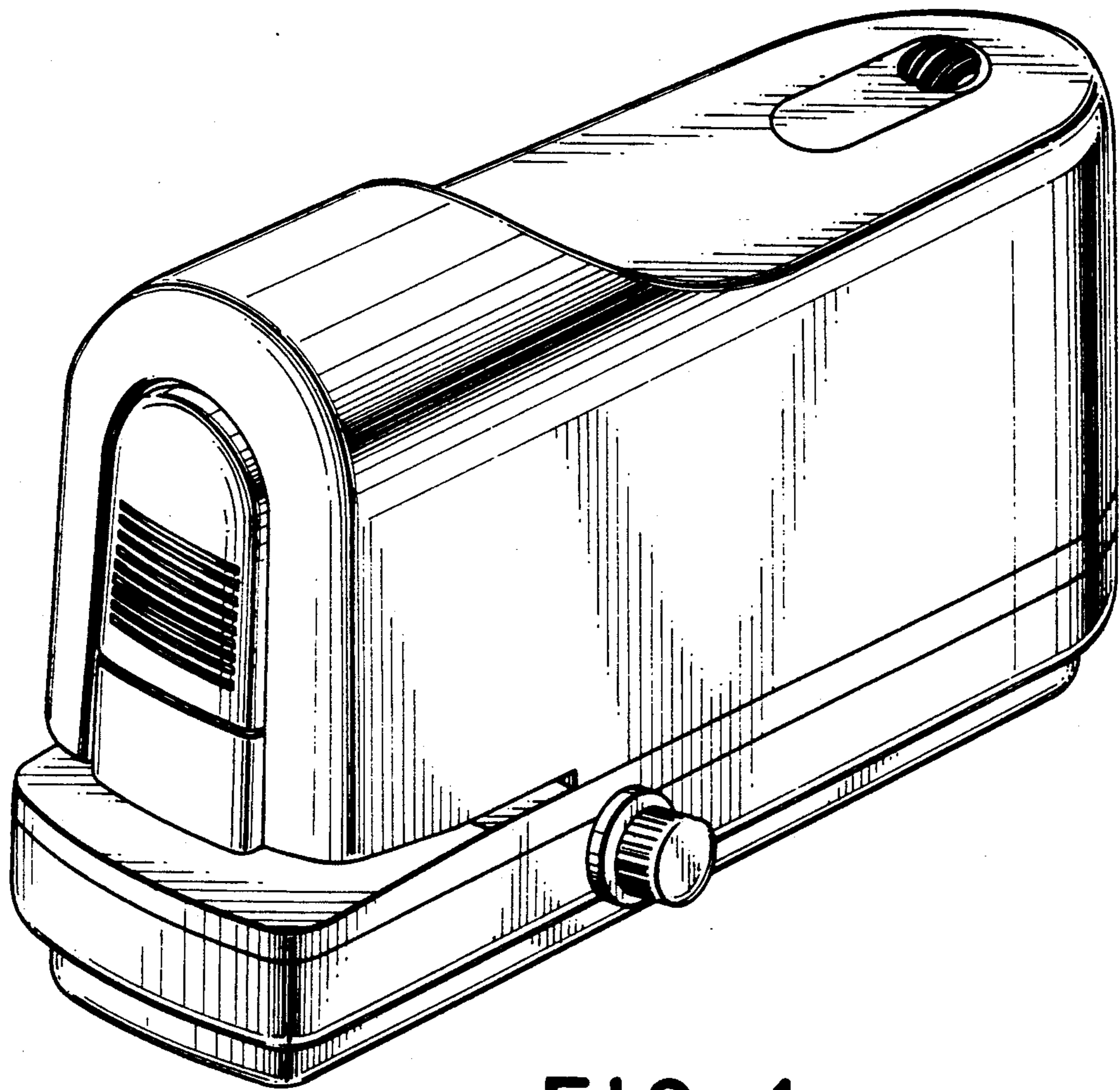


FIG. 1

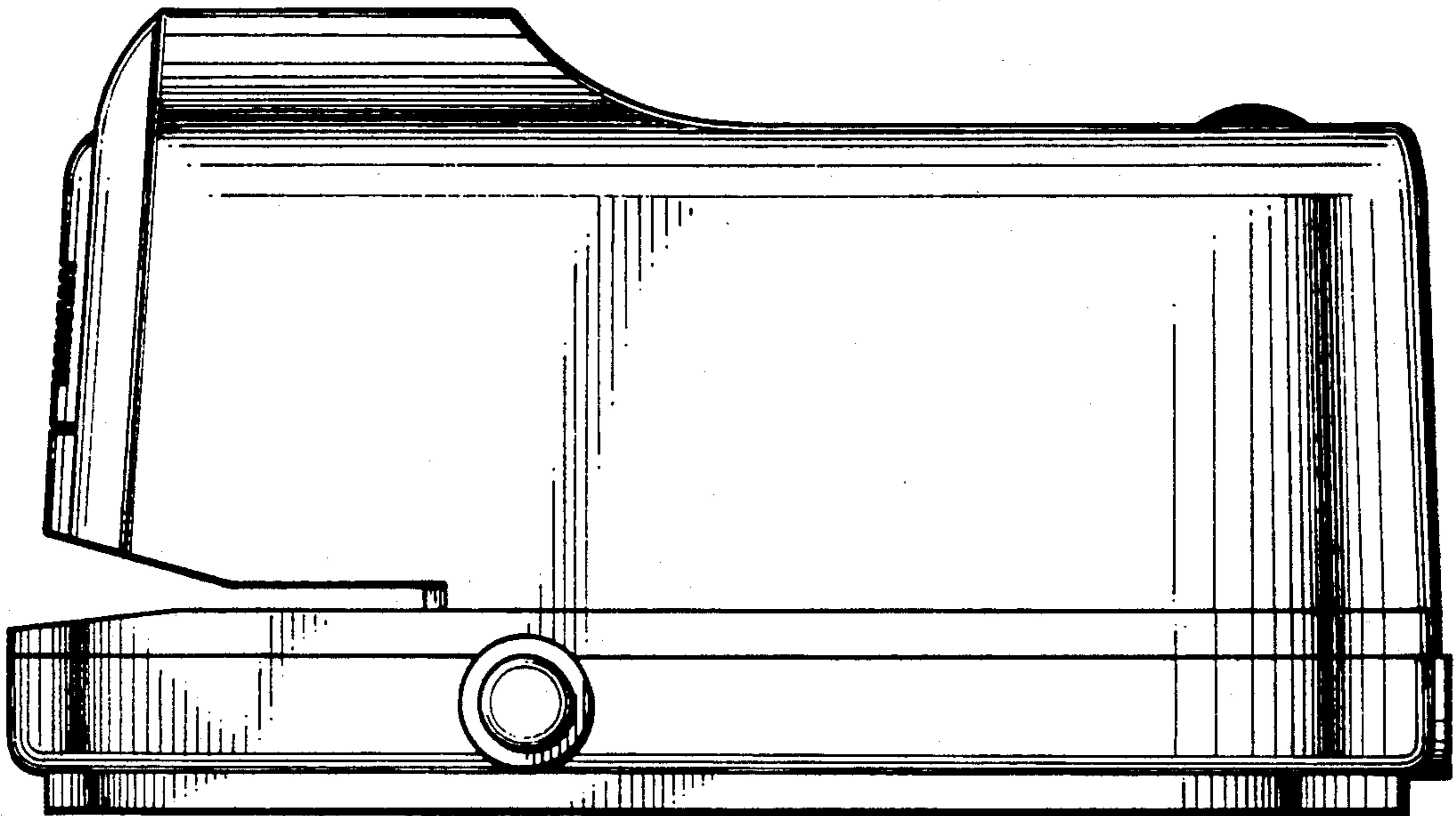


FIG. 2

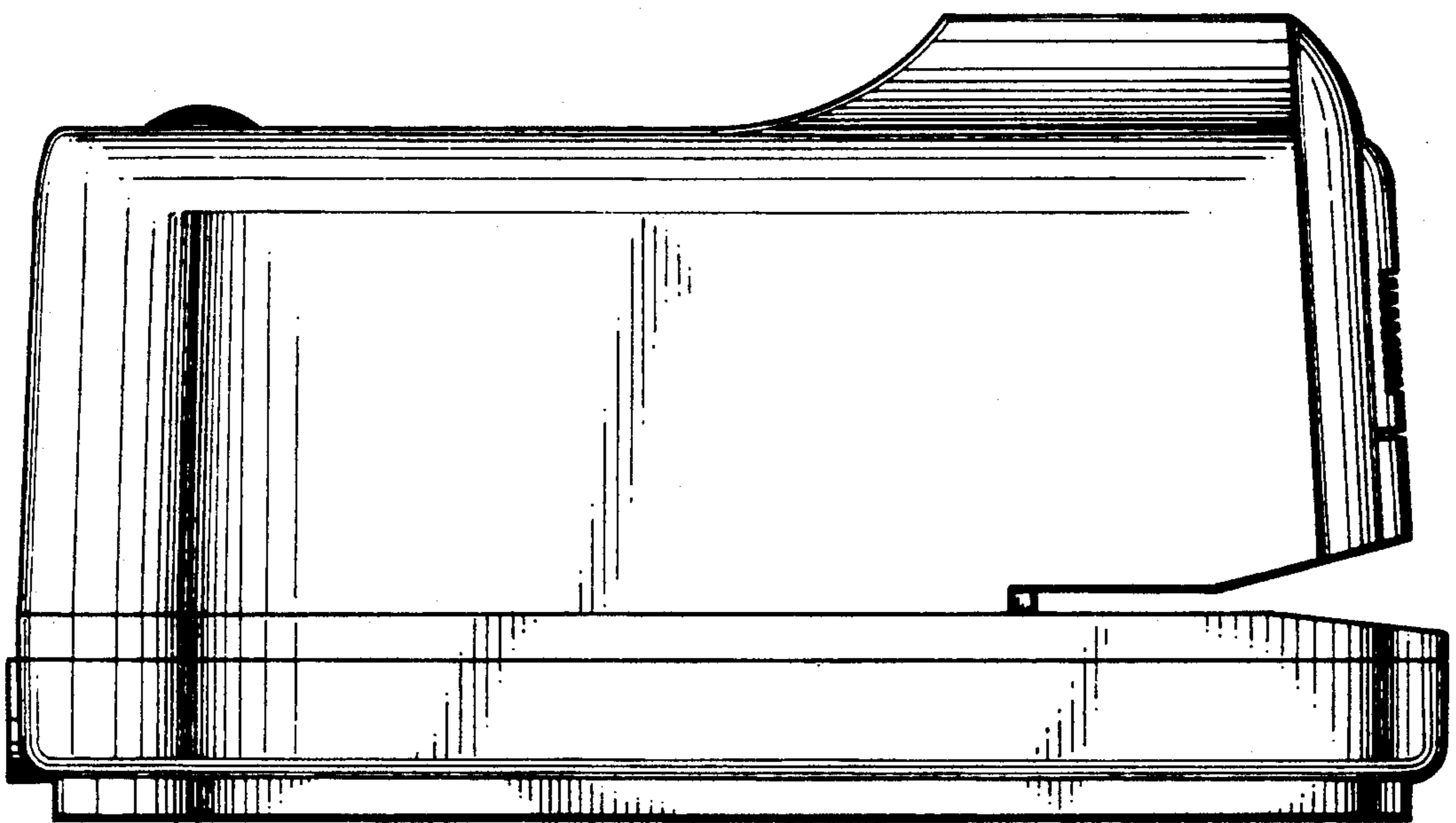


FIG. 3

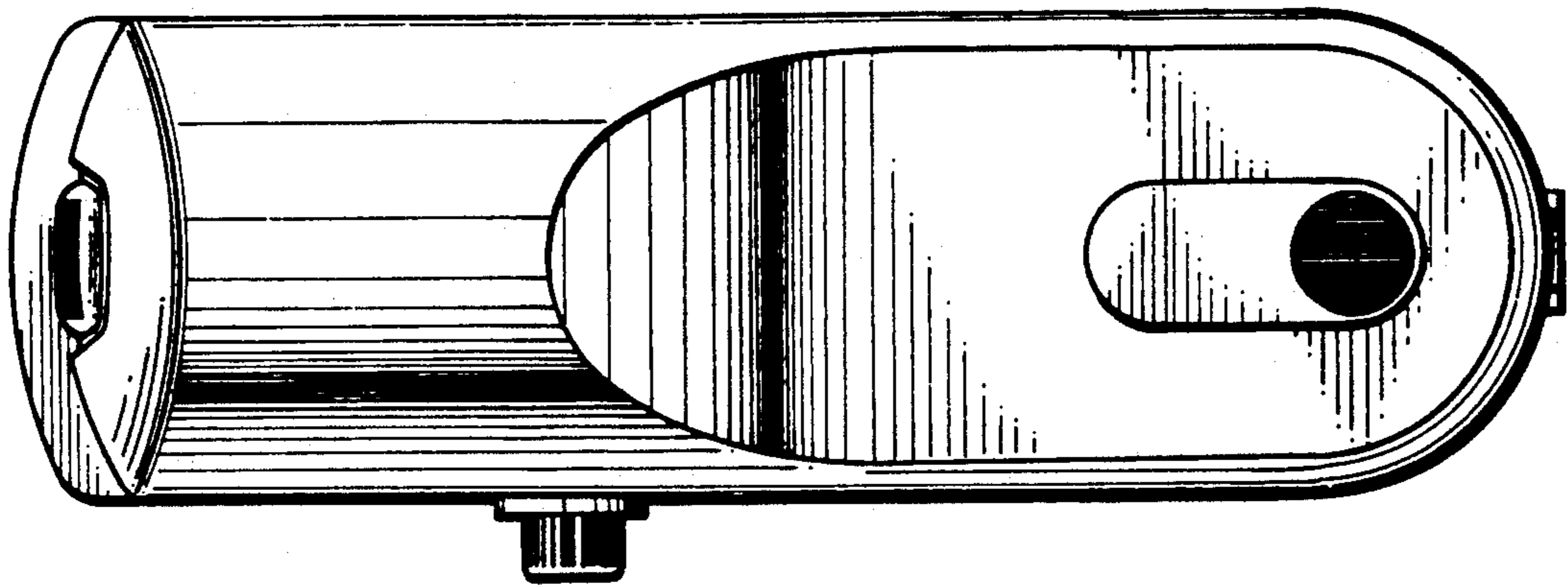


FIG. 4

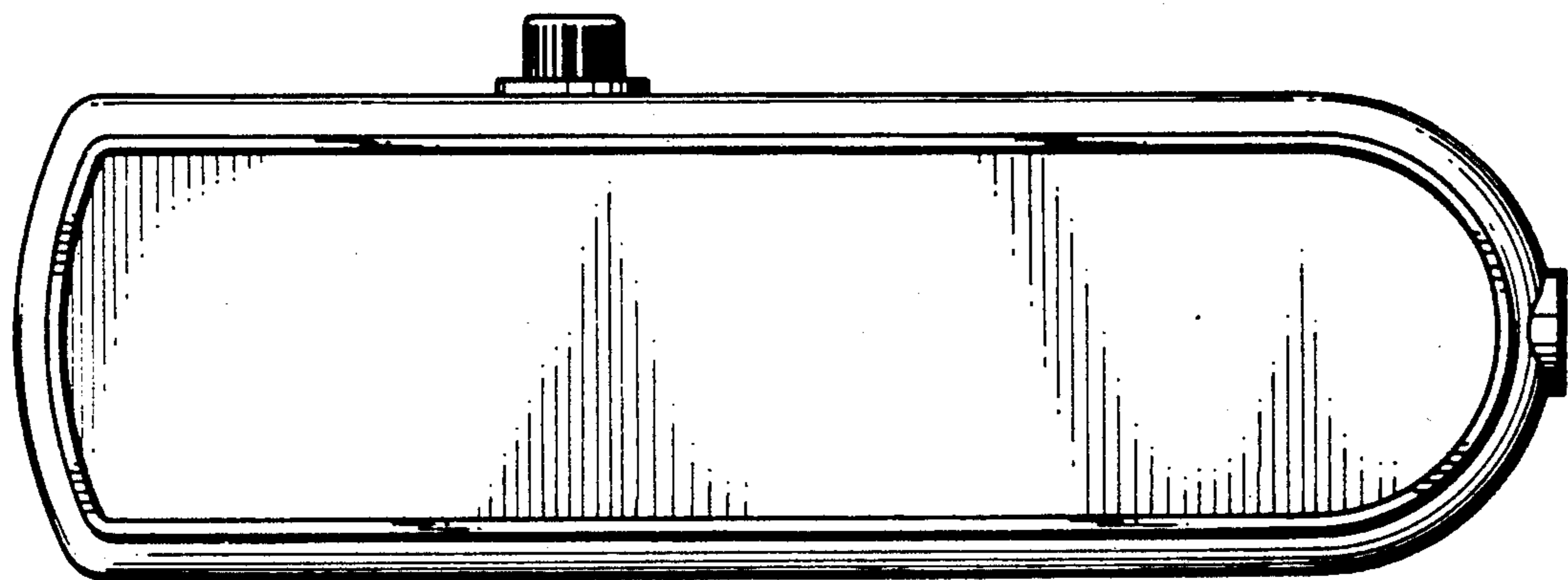


FIG. 5

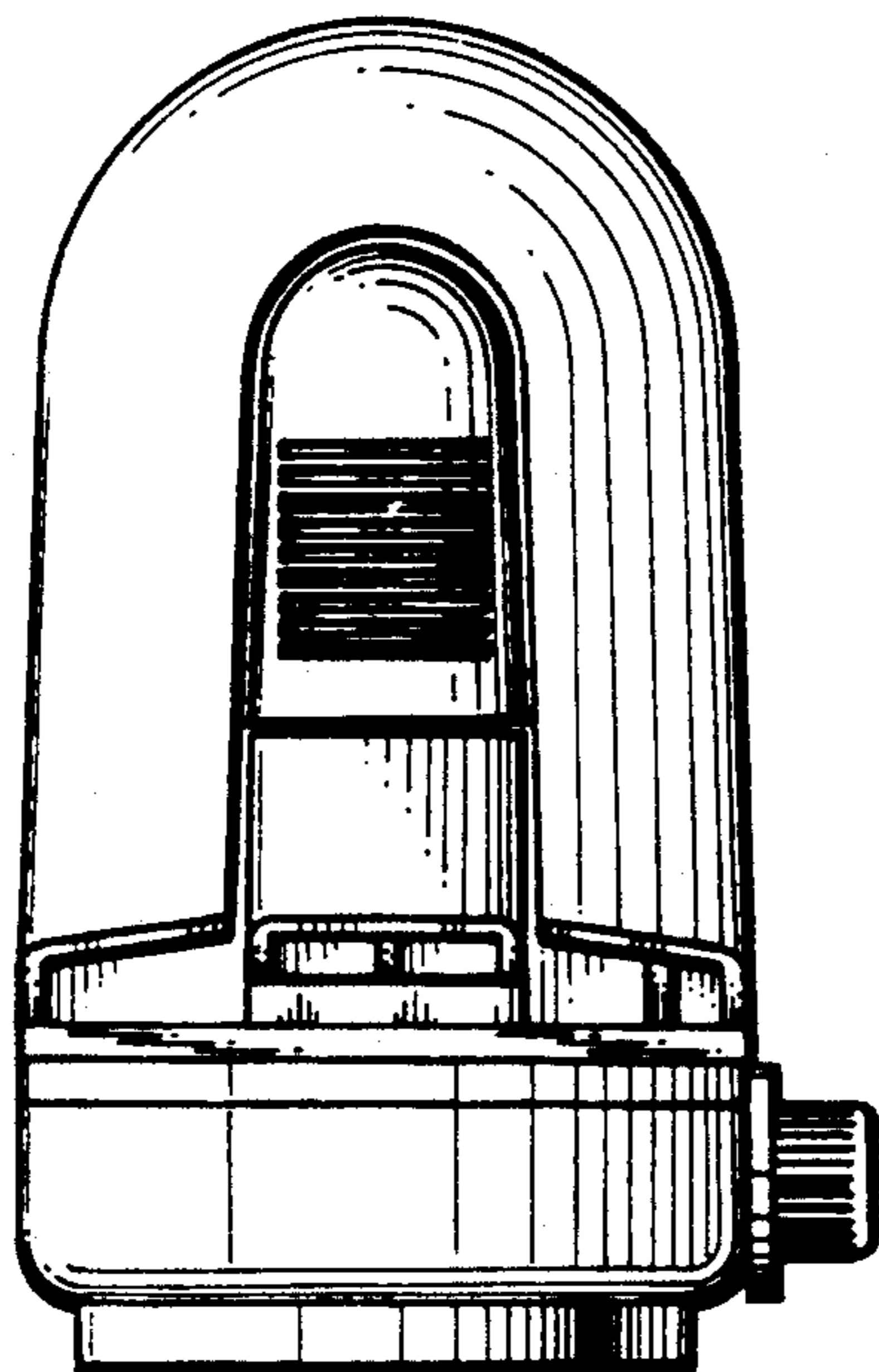


FIG. 6

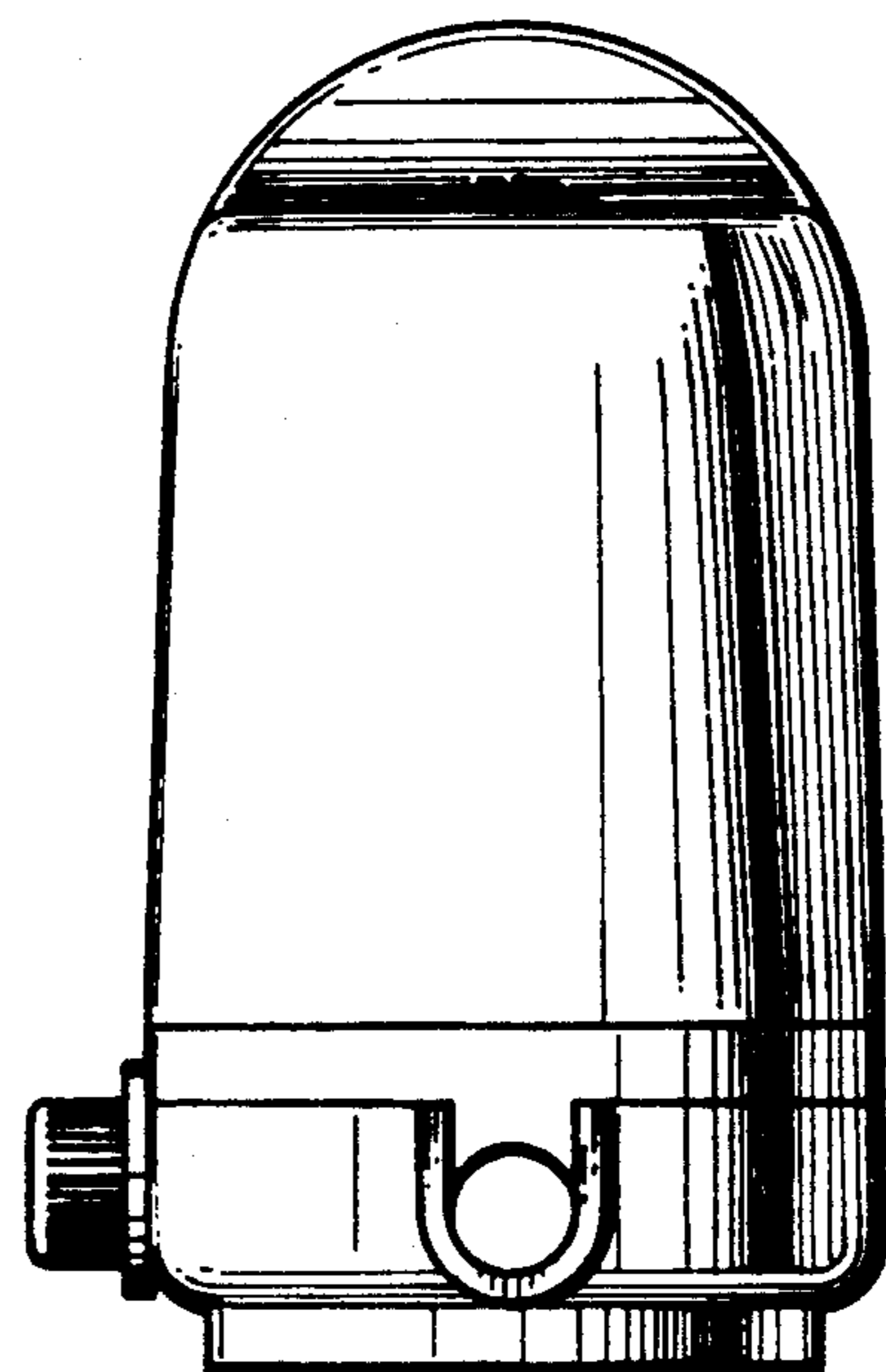


FIG. 7

UNITED STATES PATENT AND TRADEMARK OFFICE
CERTIFICATE OF CORRECTION

PATENT NO. : Des. 332,732
DATED : January 26, 1993
INVENTOR(S) : Moritoshi Matsuno

It is certified that error appears in the above-identified patent and that said Letters Patent is hereby corrected as shown below:

On the title page, item [73] Assignee: should read
--Maruzen Kabushiki Kaisha--.

Signed and Sealed this
Thirtieth Day of November, 1993

Attest:



BRUCE LEHMAN

Attesting Officer

Commissioner of Patents and Trademarks