



US00D332730S

# United States Patent [19]

[11] Patent Number: **Des. 332,730**

Usuda

[45] Date of Patent: **\*\* Jan. 26, 1993**

[54] RATCHET WRENCH

835,034	11/1906	Riddle	81/61
2,421,038	5/1947	Schultz	81/61
3,742,788	7/1973	Priest	81/61

[75] Inventor: **Genji Usuda, Hachiohji, Japan**

[73] Assignee: **Top Kogyo Co., Ltd., Sanjo, Japan**

[\*\*] Term: **14 Years**

*Primary Examiner*—Bernard Ansher  
*Assistant Examiner*—Philip Hyder  
*Attorney, Agent, or Firm*—Spencer, Frank & Schneider

[21] Appl. No.: **588,573**

[22] Filed: **Sep. 26, 1990**

[57] **CLAIM**

The ornamental design for a ratchet wrench, as shown.

[30] **Foreign Application Priority Data**

Mar. 27, 1990 [JP] Japan ..... 2-10520

[52] U.S. Cl. .... **D8/25**

[58] Field of Search ..... D8/21, 25, 28; 81/57.3,  
81/61, 62, 63, 121.1, 124.1, 125, 177.1

**DESCRIPTION**

FIG. 1 is a top front perspective view of a ratchet wrench showing my new design;  
FIG. 2 is a bottom rear perspective view thereof;  
FIG. 3 is a top plan view thereof;  
FIG. 4 is a front elevational view thereof;  
FIG. 5 is a bottom plan view thereof;  
FIG. 6 is a rear elevational view thereof;  
FIG. 7 is a left side elevational view thereof; and,  
FIG. 8 is a right side elevational view thereof.

[56] **References Cited**

**U.S. PATENT DOCUMENTS**

D. 214,018	5/1969	Traugher	D8/25
D. 313,731	1/1991	Crawford	D8/25

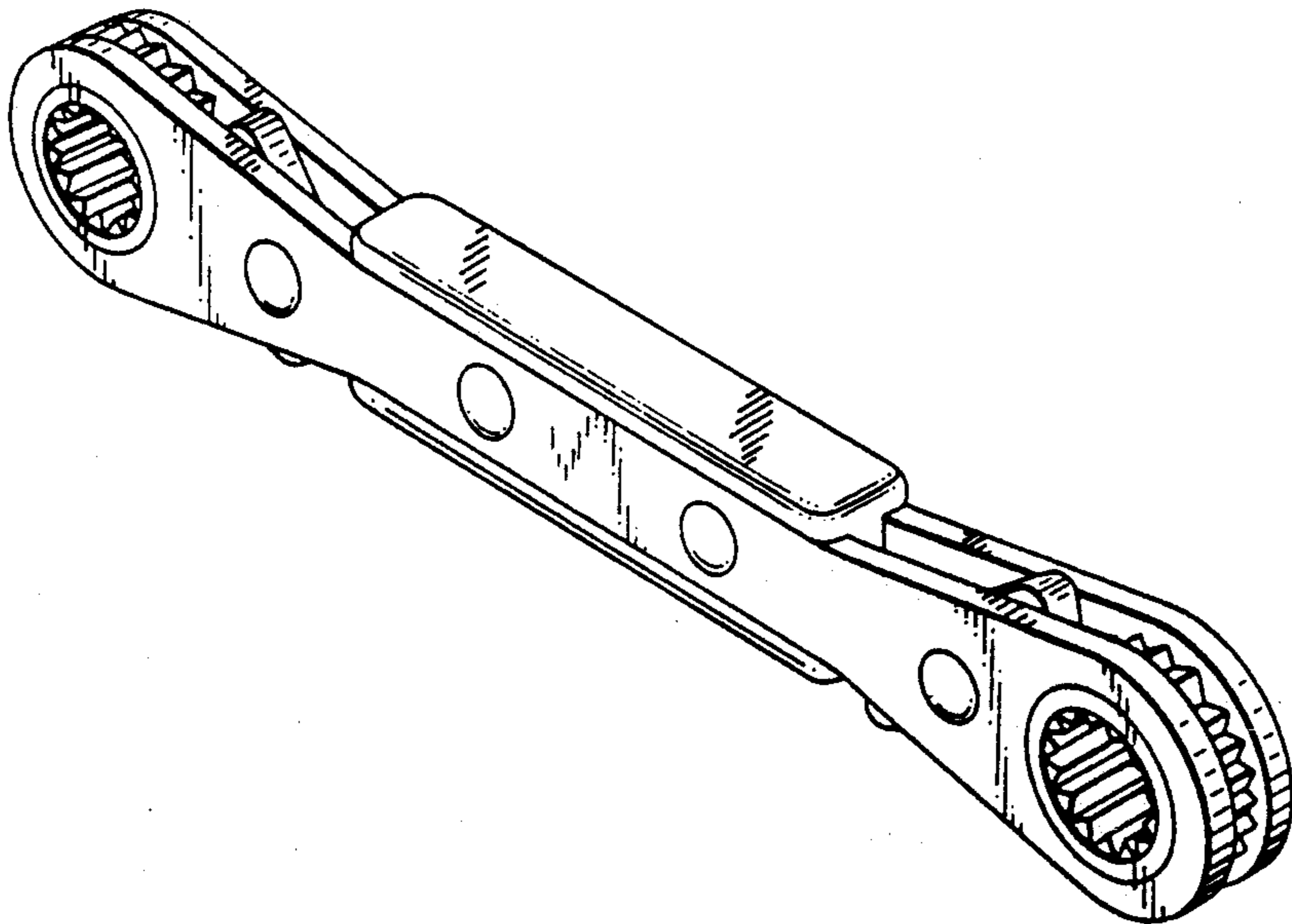


FIG. 1

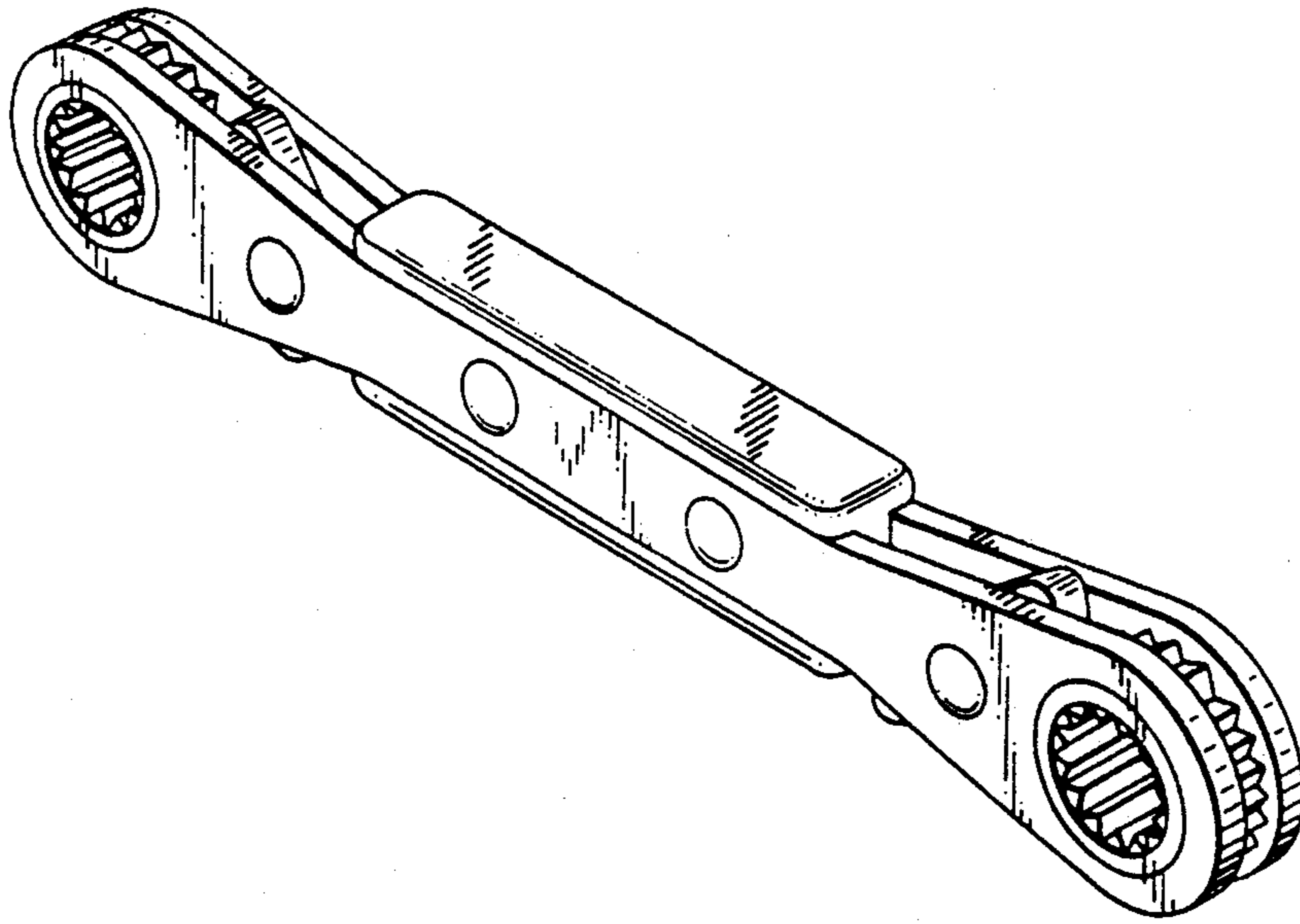


FIG. 2

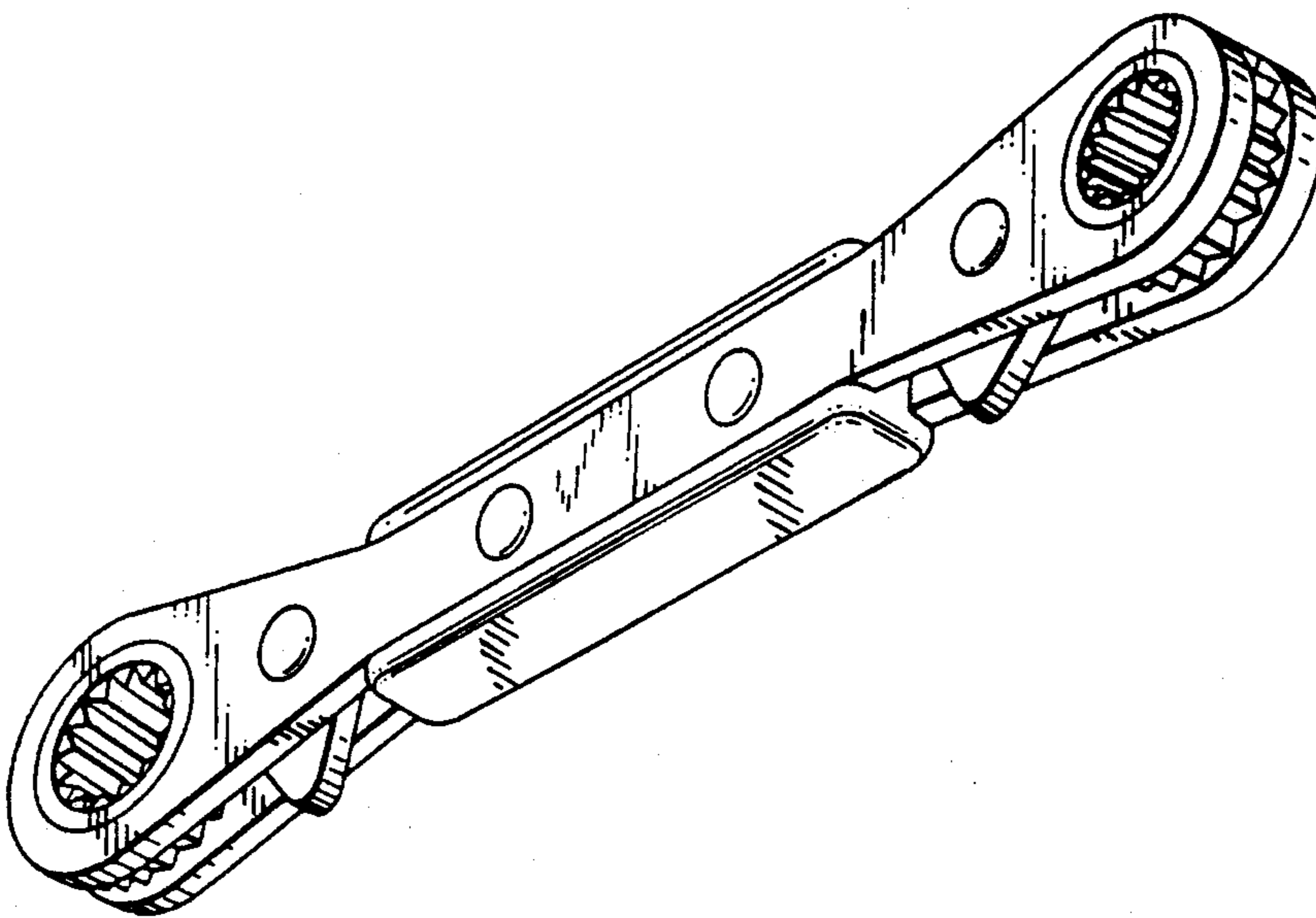


FIG. 3

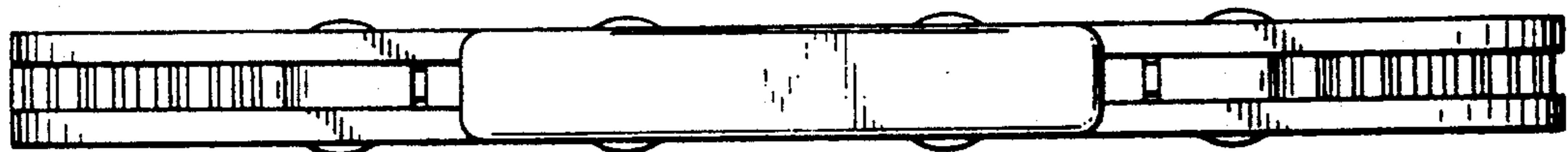


FIG. 4

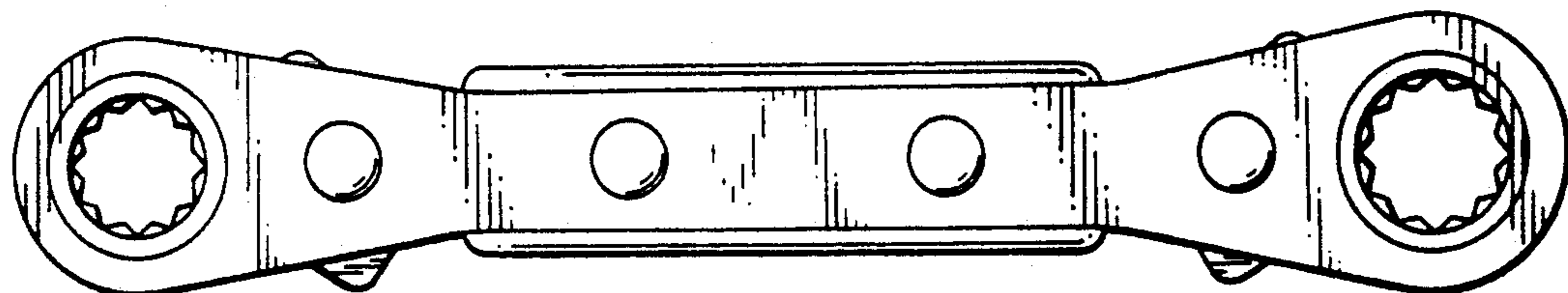


FIG. 5



FIG. 6

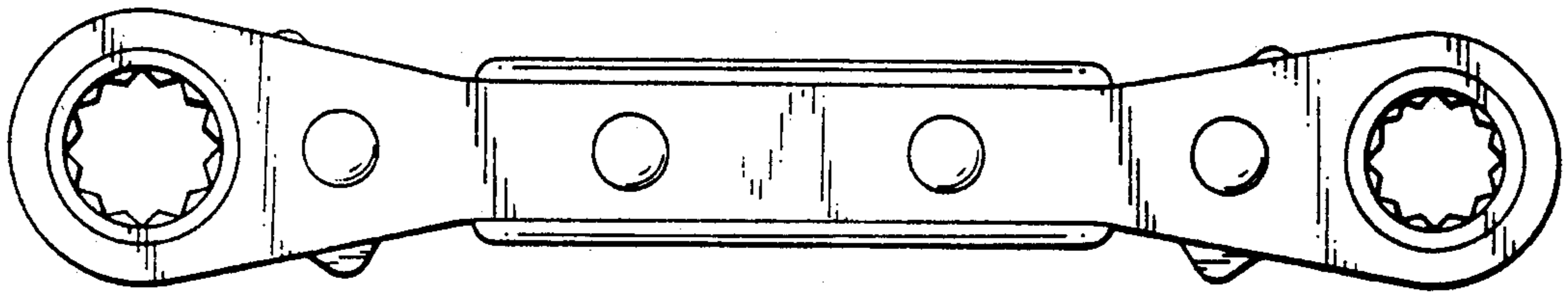


FIG. 7

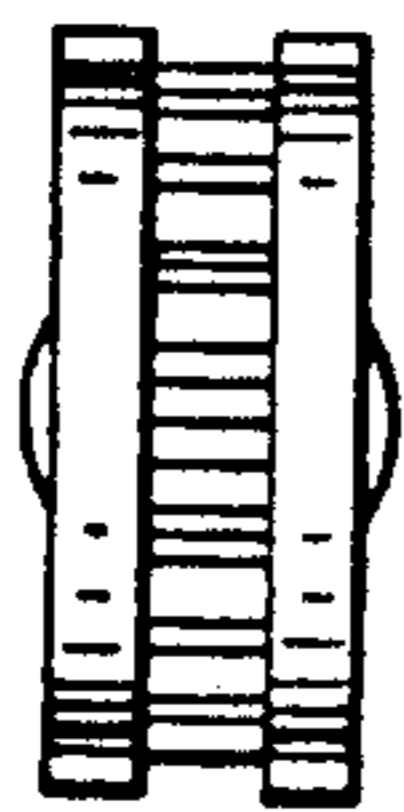


FIG. 8

