



US00D332725S

**United States Patent** [19]  
**May**

[11] **Patent Number: Des. 332,725**

[45] **Date of Patent: \*\* Jan. 26, 1993**

[54] **WINE CELL**

[75] **Inventor: Darrel May, Mississauga, Canada**

[73] **Assignee: Wireshmith Limited, Brampton, Canada**

[\*\*] **Term: 14 Years**

[21] **Appl. No.: 574,255**

[22] **Filed: Aug. 29, 1990**

[52] **U.S. Cl. .... D7/618**

[58] **Field of Search ..... D6/462, 465, 475;  
D7/605-608, 616, 618; D34/40, 42; 211/74;  
220/485, 491, 494**

[56] **References Cited**

**U.S. PATENT DOCUMENTS**

D. 232,813	9/1974	Myers .....	D34/42
1,171,924	2/1916	Brown .....	220/485 X
2,856,093	10/1958	Bruce .....	220/494
3,272,377	9/1966	Schray .....	220/494

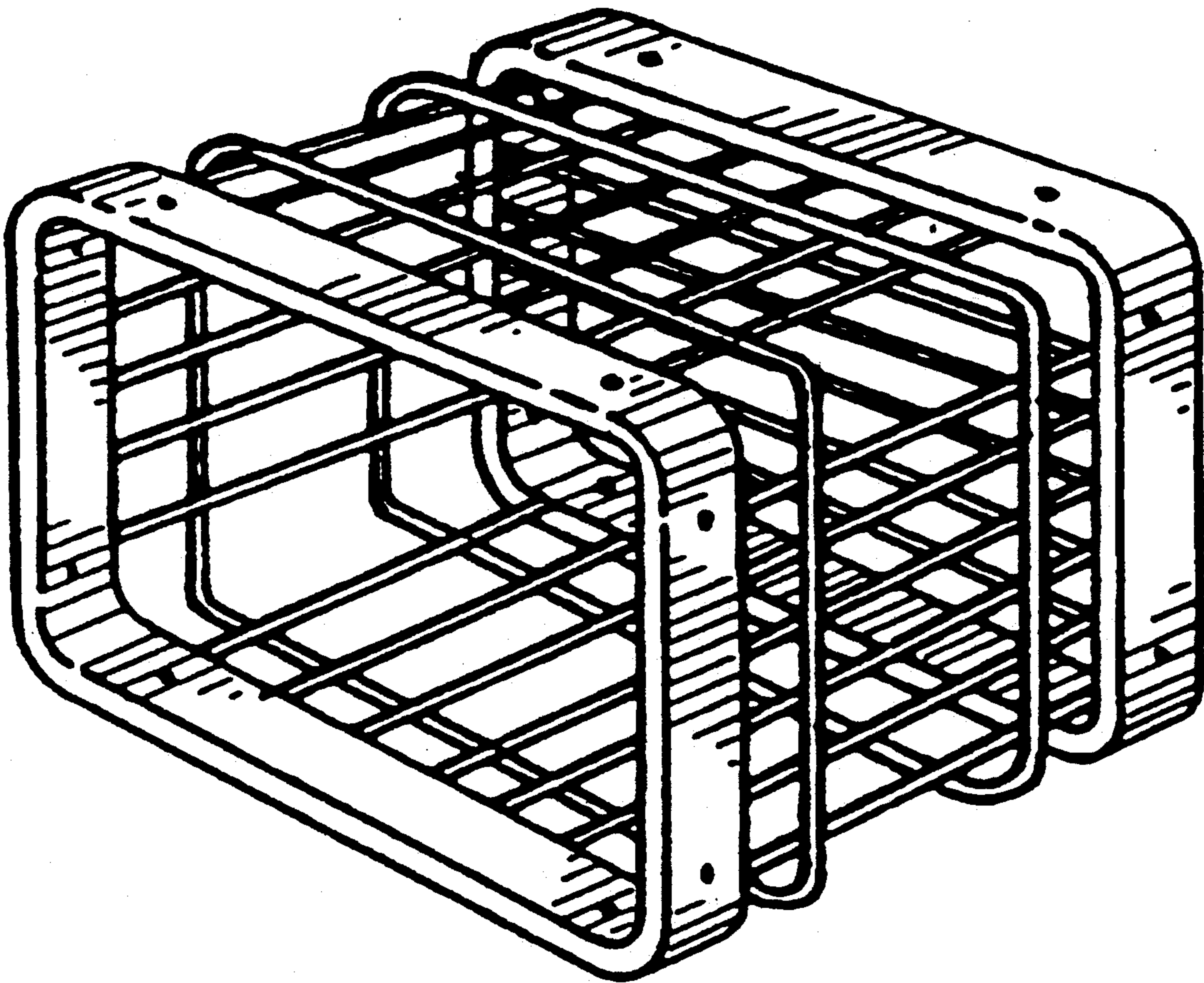
*Primary Examiner—Terry A. Pfeffer*  
*Attorney, Agent, or Firm—Eugene J. A. Gierczak*

[57] **CLAIM**

The ornamental design for the wine cell, as shown and described.

**DESCRIPTION**

FIG. 1 is a perspective view of a wine cell showing my new design;  
FIG. 2 is a top plan view thereof;  
FIG. 3 is a side elevational view thereof; and,  
FIG. 4 is a front elevational view thereof.



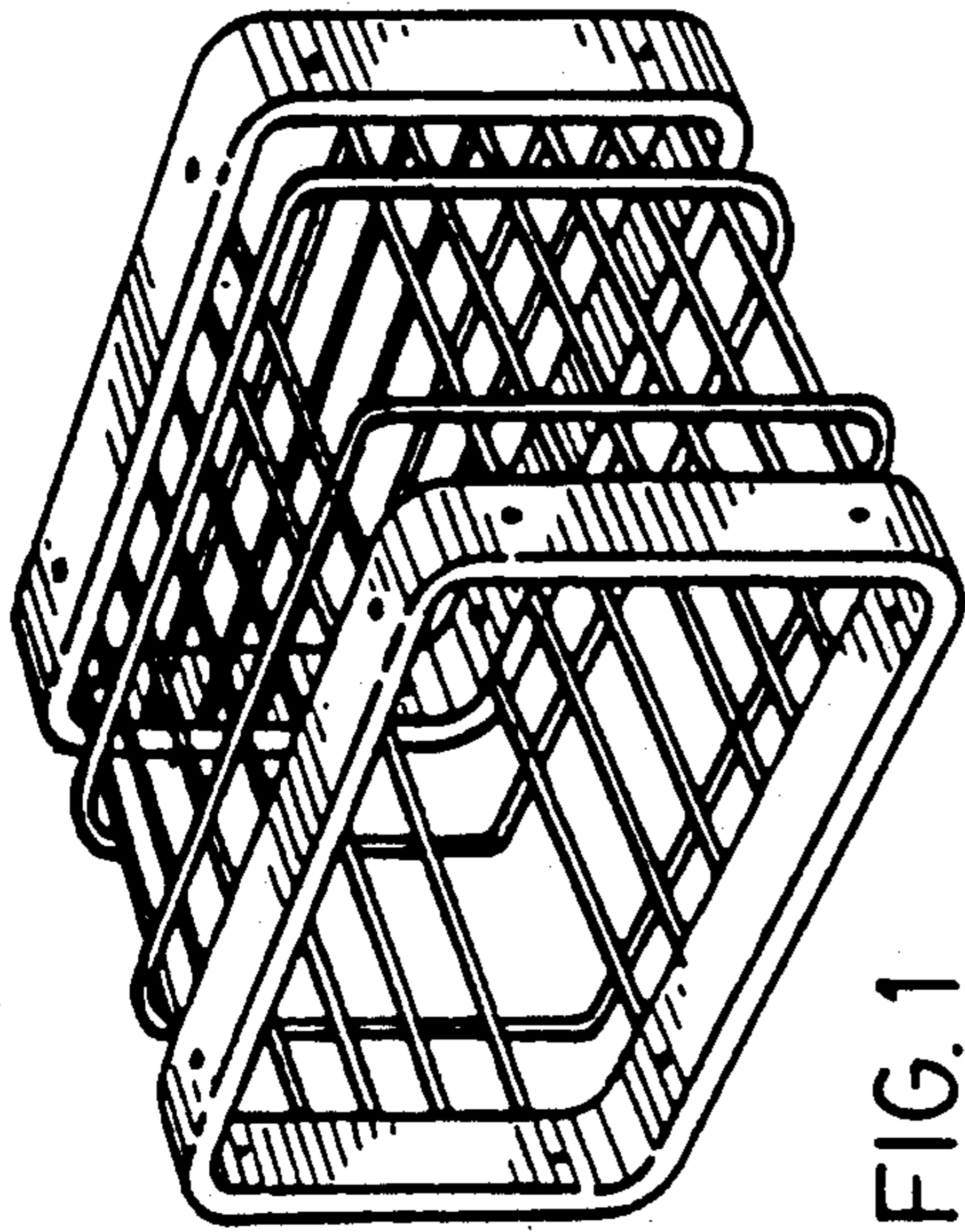


FIG. 1

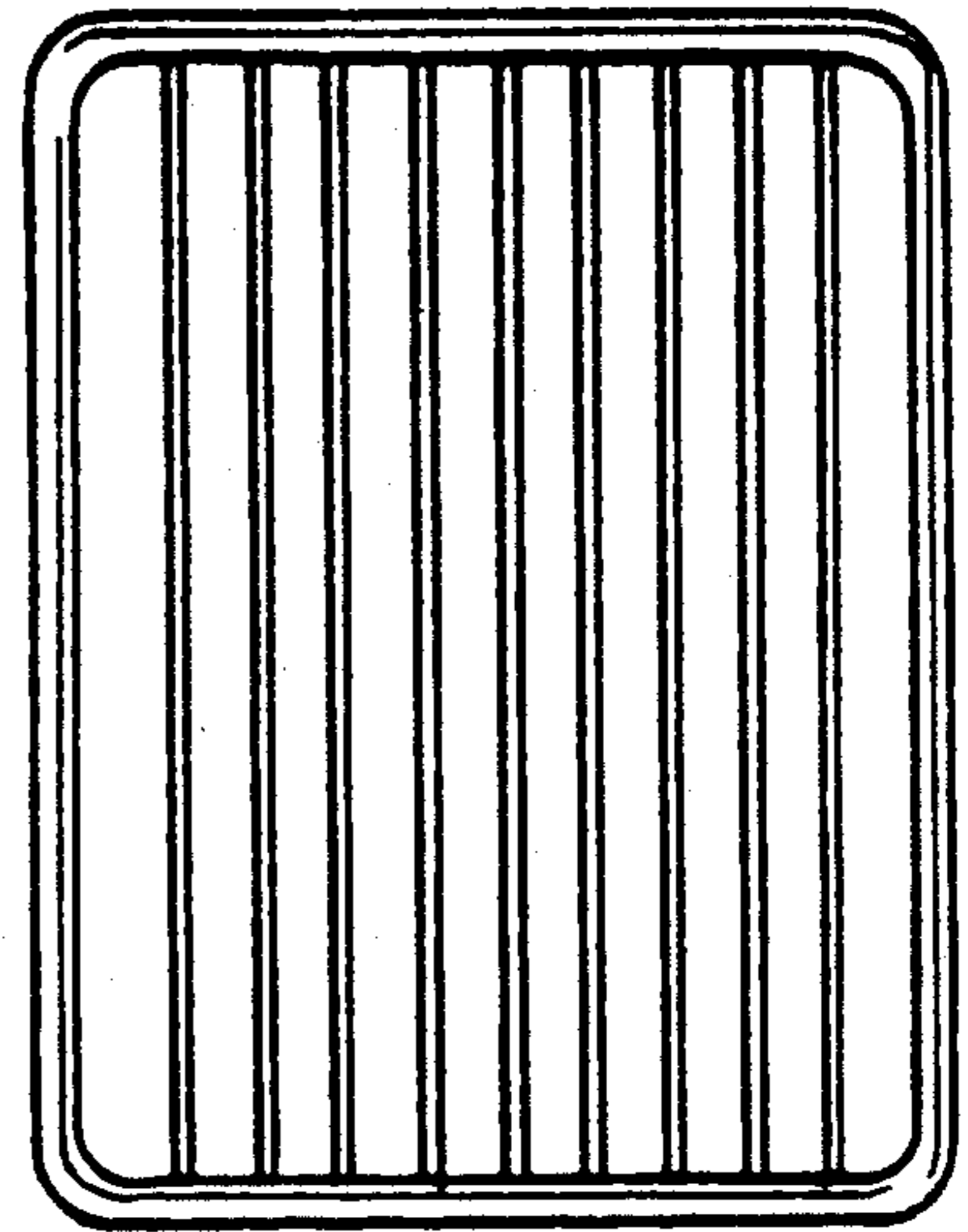


FIG. 4

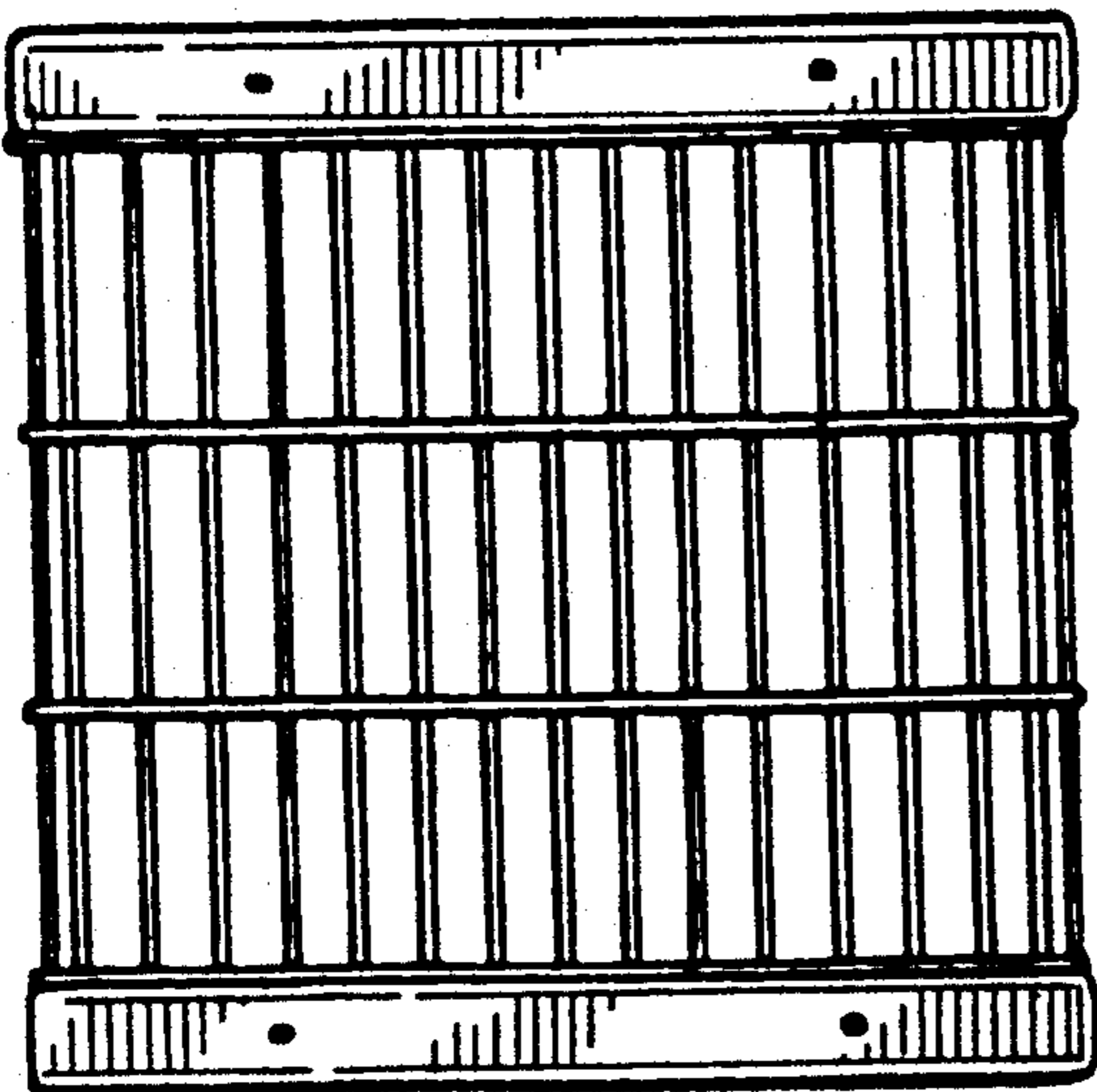


FIG. 2

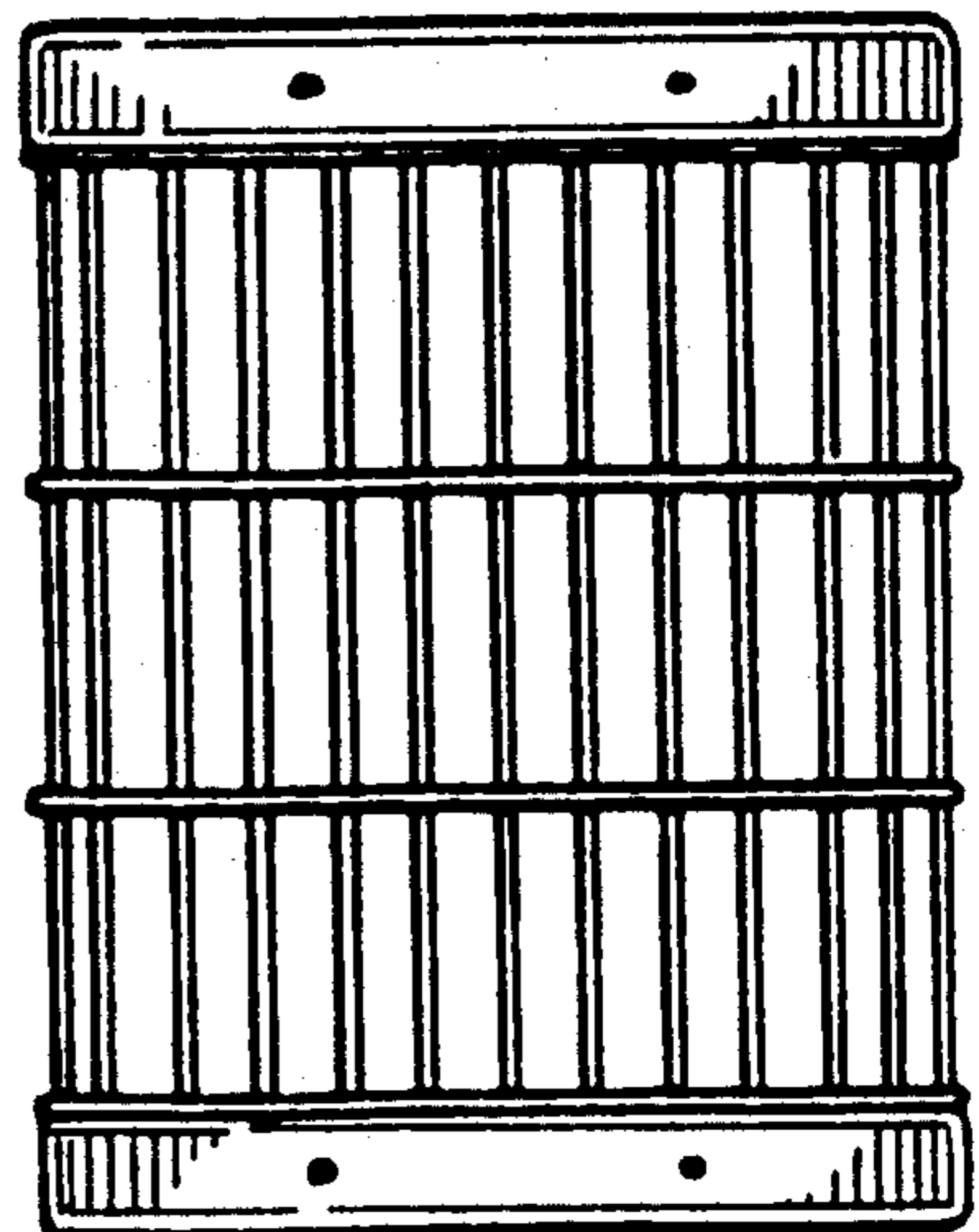


FIG. 3