



US00D332724S

United States Patent [19]

[11] Patent Number: **Des. 332,724**

Porter

[45] Date of Patent: **** Jan. 26, 1993**

[54] **SPICE RACK**

D. 233,722 11/1974 Ocuin D7/616
D. 306,944 4/1990 Urena D6/574 X
D. 316,790 5/1991 Robbins et al. D6/567 X

[75] Inventor: **Marvin M. Porter, San Antonio, Tex.**

[73] Assignee: **Texas Trunk Company, Inc., San Antonio, Tex.**

*Primary Examiner—Terry A. Pfeffer
Attorney, Agent, or Firm—Cox & Smith Incorporated*

[**] Term: **14 Years**

[57] **CLAIM**

[21] Appl. No.: **658,356**

The ornamental design for a spice rack, as shown and described.

[22] Filed: **Feb. 20, 1991**

DESCRIPTION

[52] U.S. Cl. **D7/616; D6/567**

[58] Field of Search **D7/616-618;
D6/567, 572, 574; 211/13, 71, 74-75, 86-88, 90,
126, 134**

FIG. 1 is a perspective view of the spice rack showing my new design;

FIG. 2 is a front elevational view thereof;

FIG. 3 is a right side elevational view thereof;

FIG. 4 is a top plan view thereof;

FIG. 5 is a rear elevational view thereof;

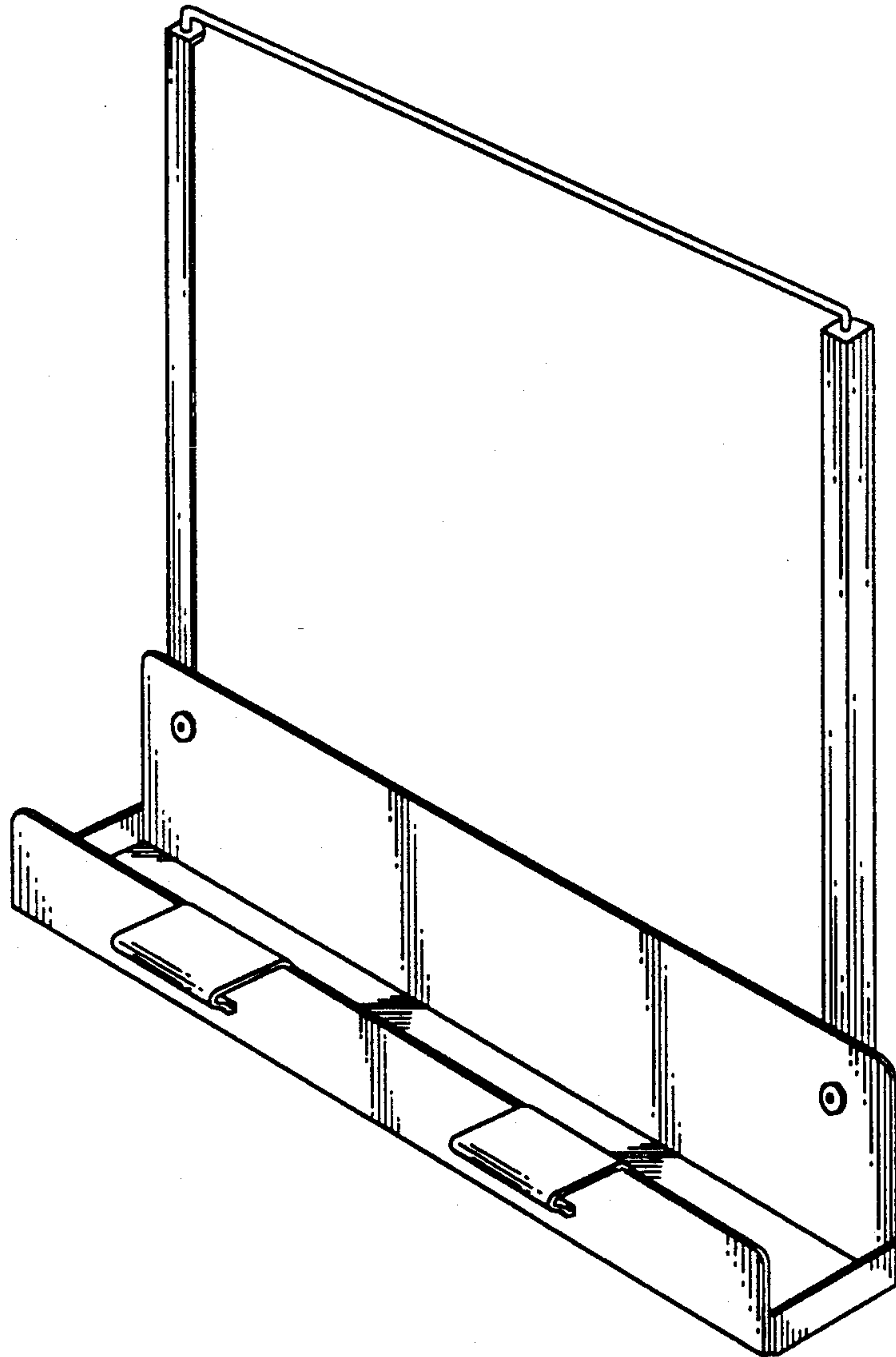
FIG. 6 is a bottom plan view thereof; and,

FIG. 7 is a left side elevational view thereof.

[56] **References Cited**

U.S. PATENT DOCUMENTS

D. 173,626 12/1954 Millard D6/574



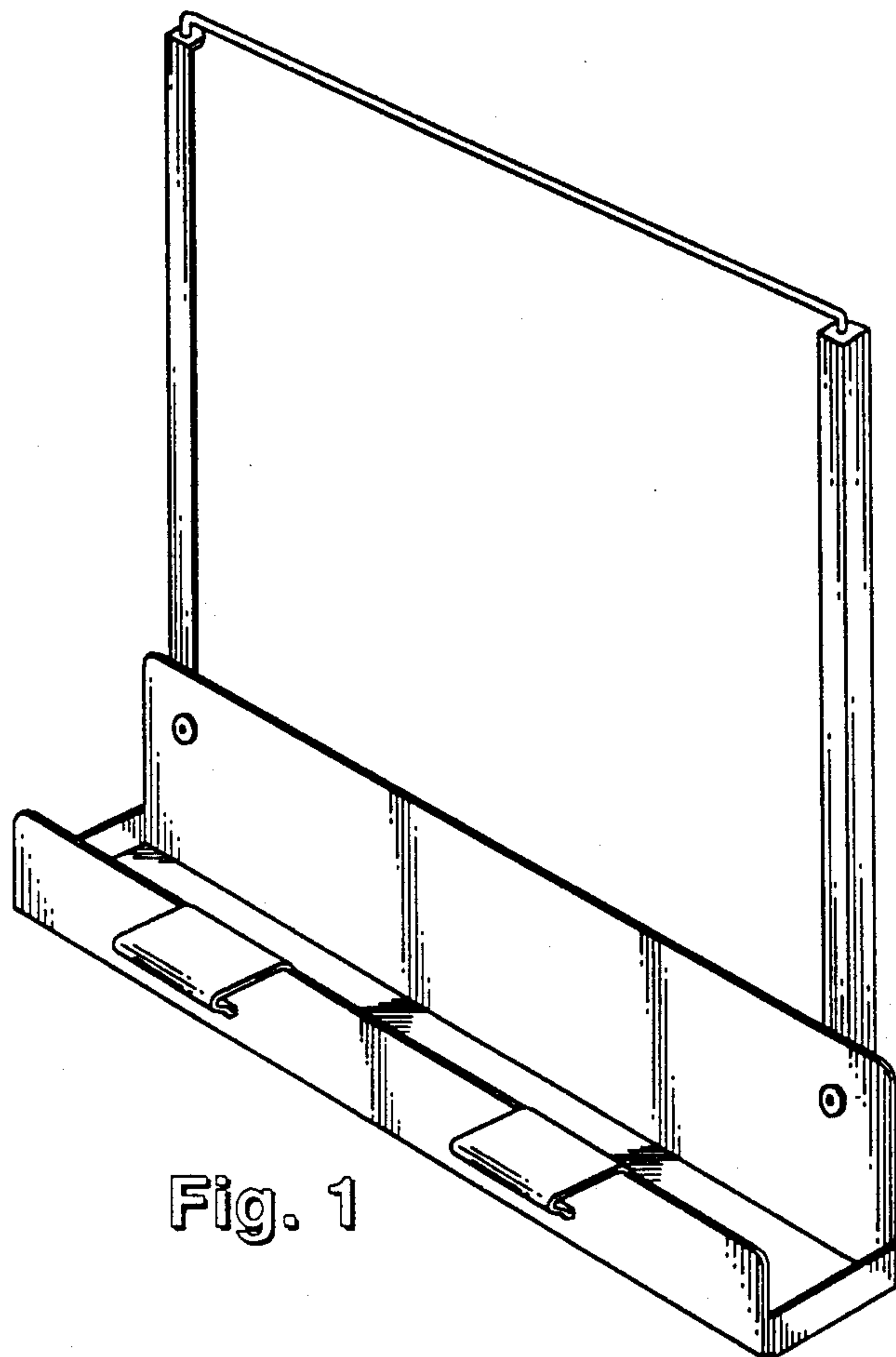


Fig. 1

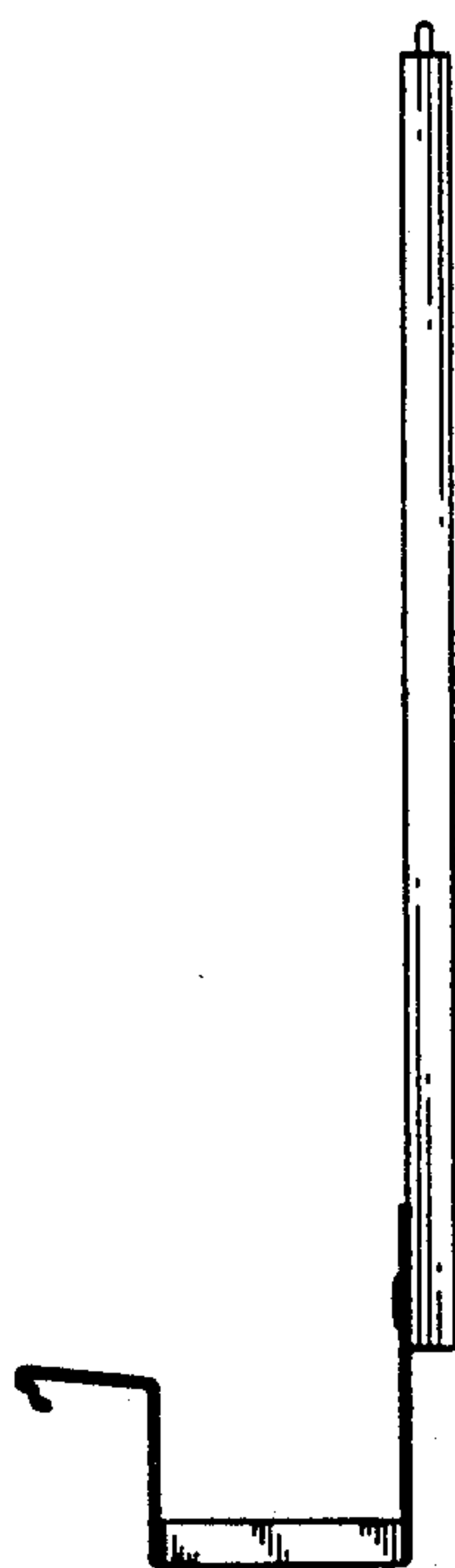


Fig. 7

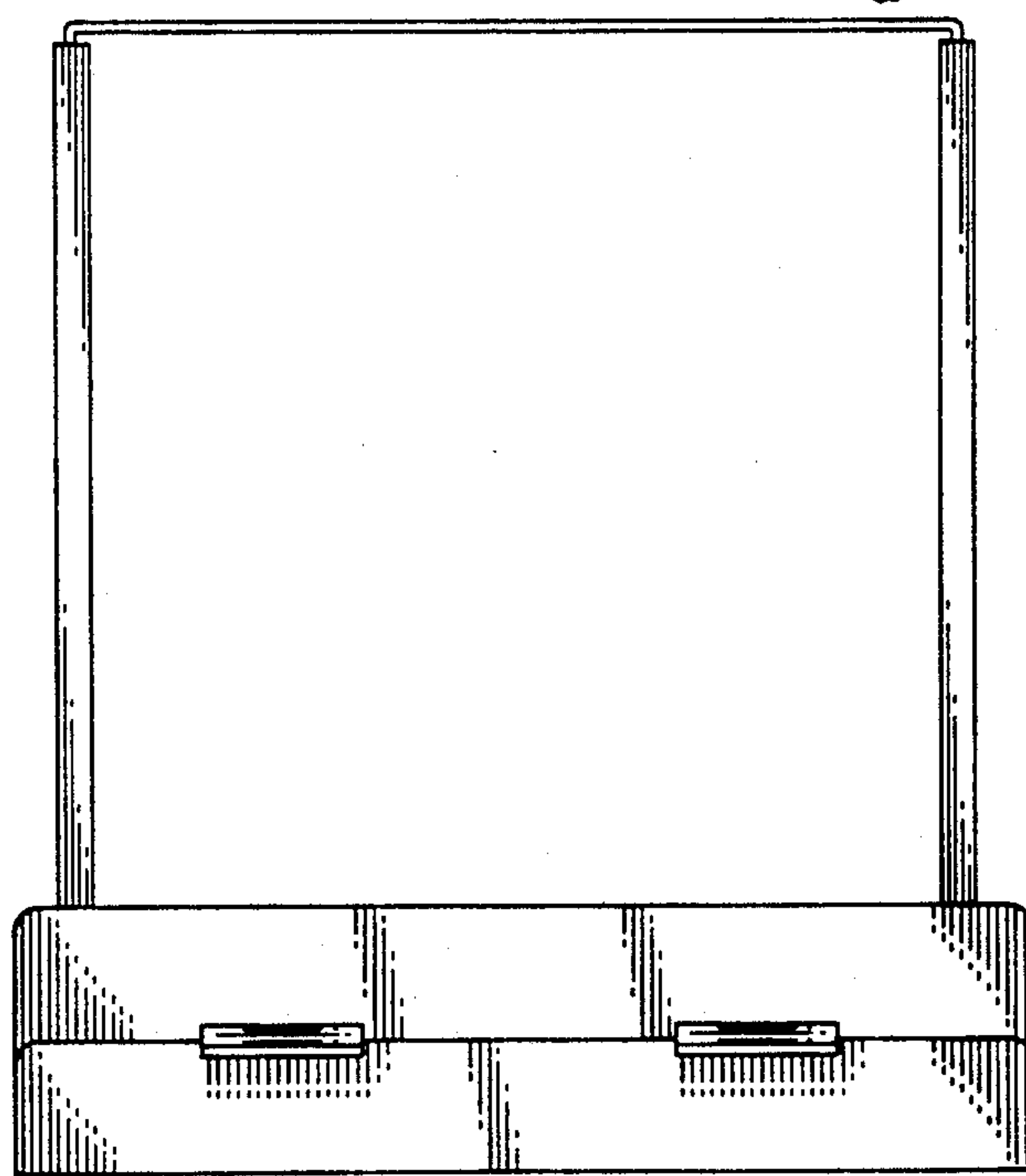


Fig. 2

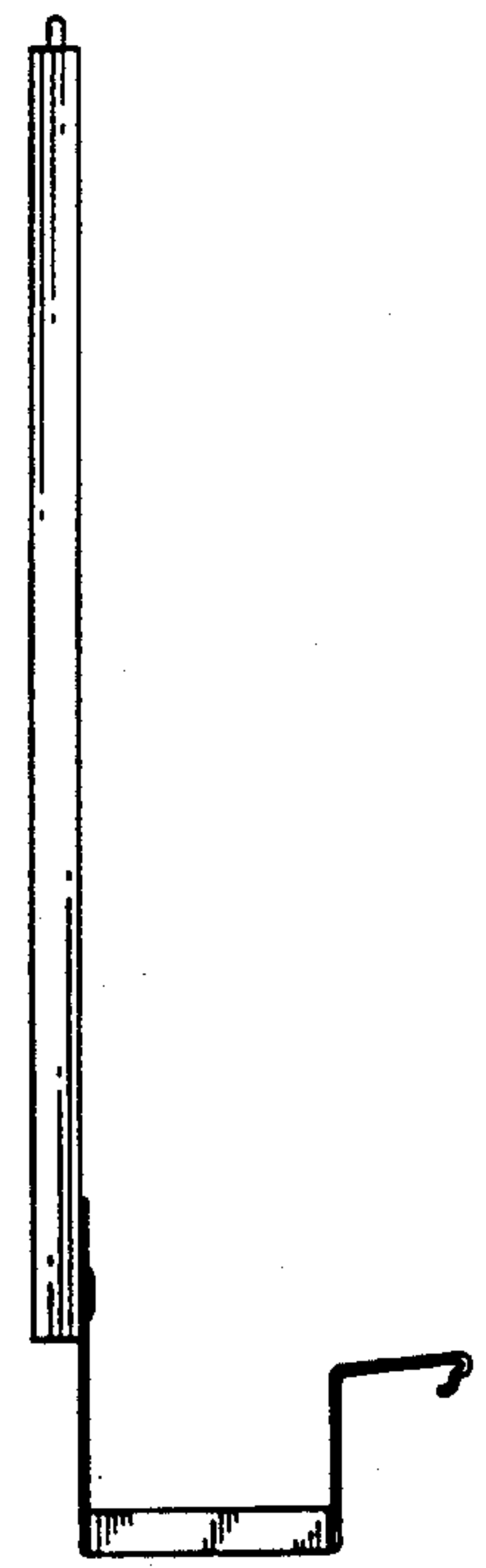


Fig. 3

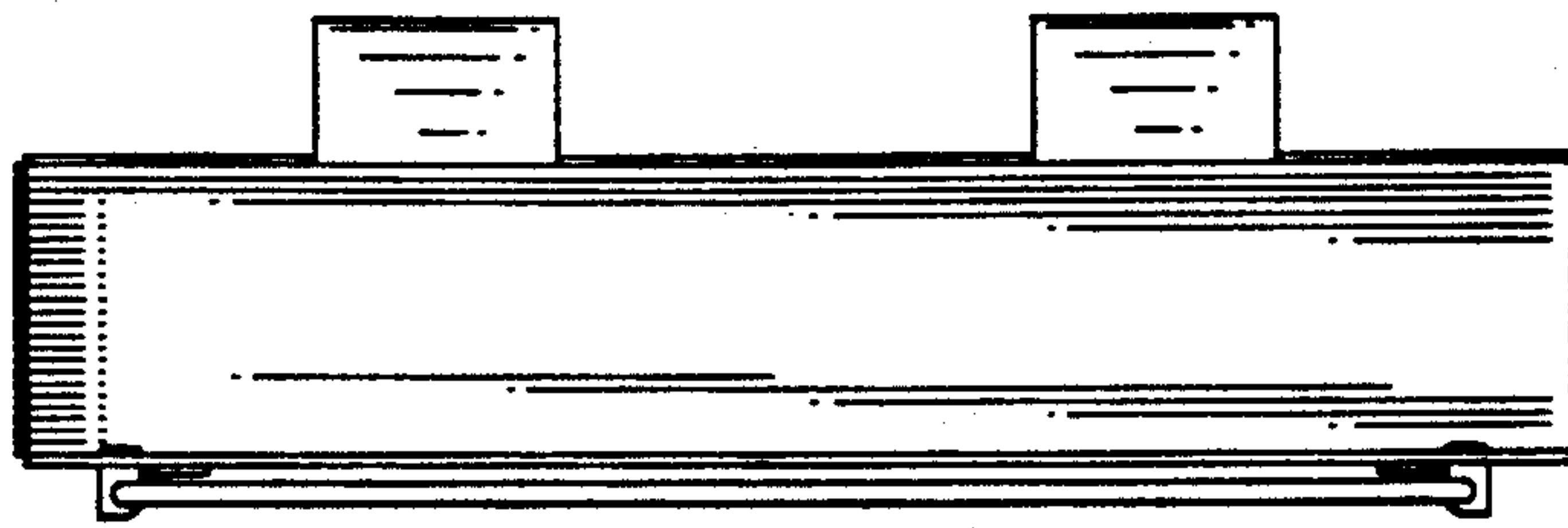


Fig. 4

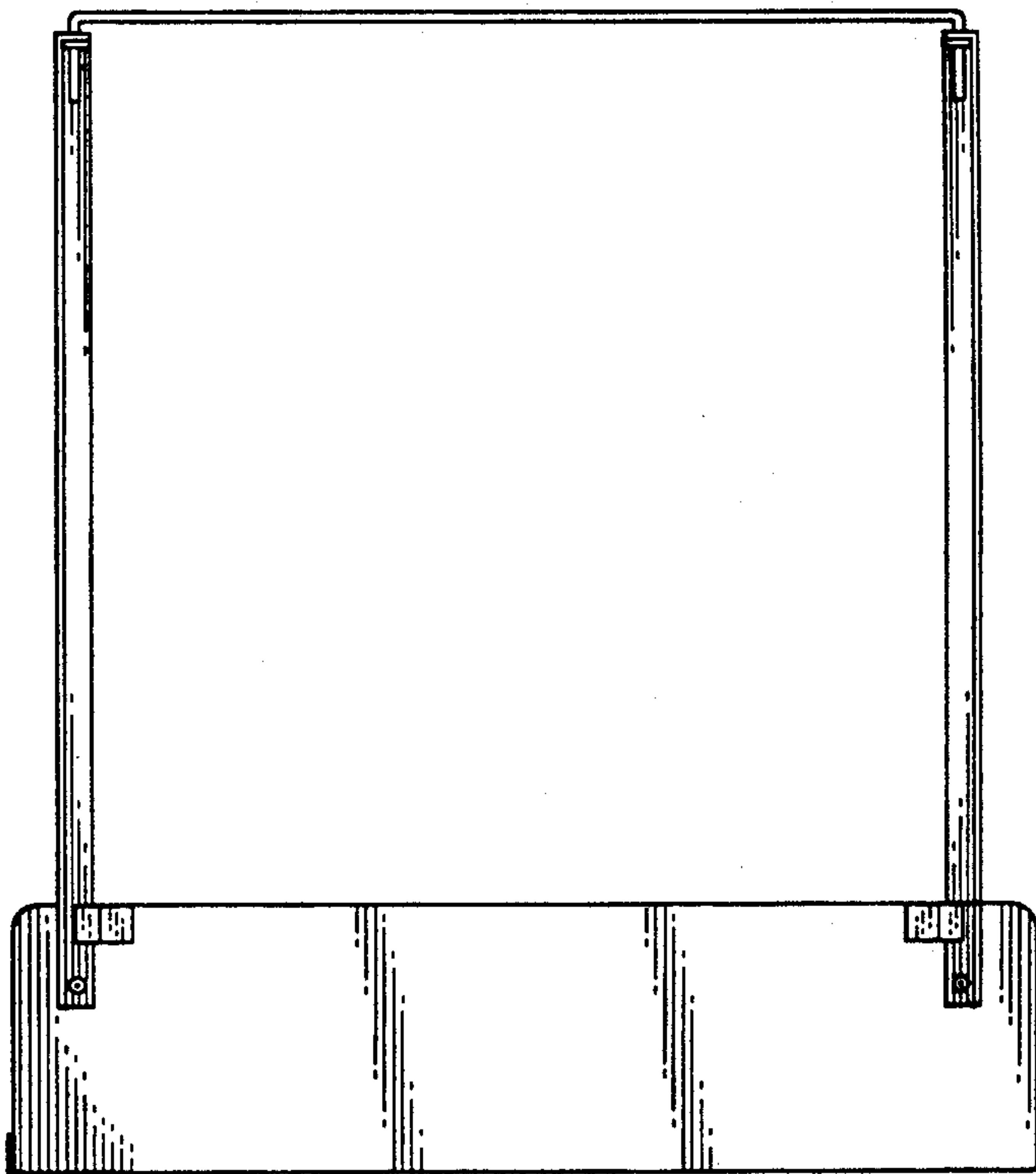


Fig. 5

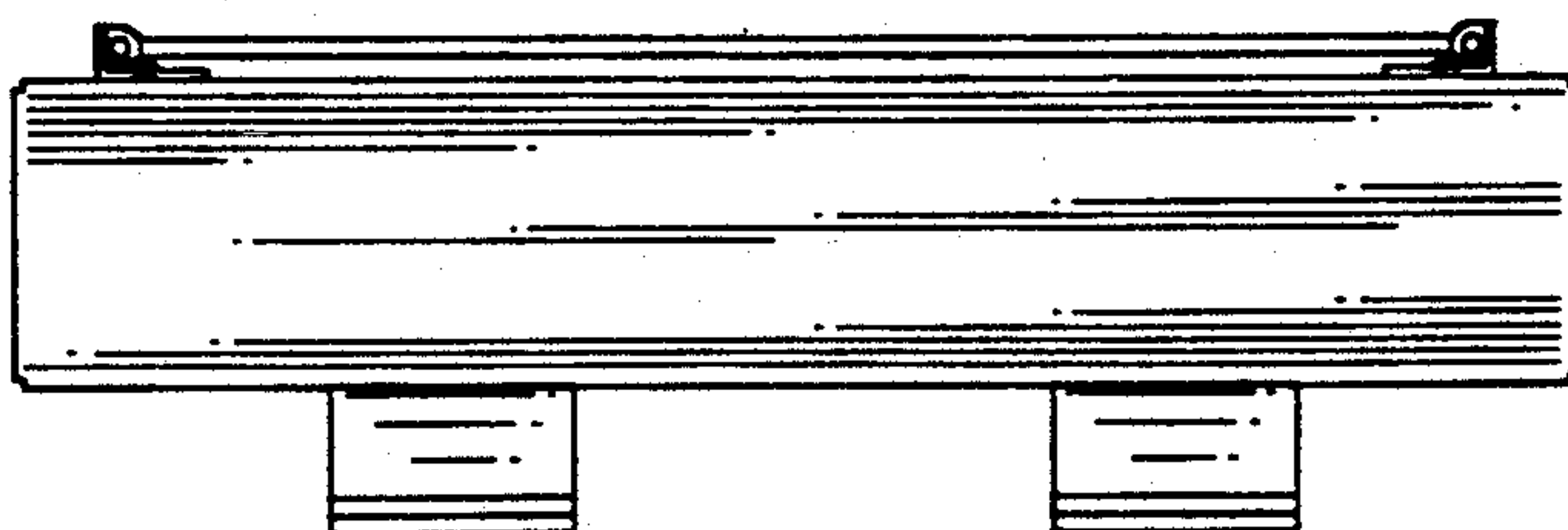


Fig. 6