



US00D332723S

# United States Patent [19]

[11] Patent Number: **Des. 332,723**

Geissler et al.

[45] Date of Patent: **\*\* Jan. 26, 1993**

[54] **APPLIANCE FOR SLICING FRUITS AND VEGETABLES**

[75] Inventors: **Richard L. Geissler, Chippewa Falls; Roger L. Kelly, Eau Claire, both of Wis.**

[73] Assignee: **National Presto Industries, Inc., Eau Claire, Wis.**

[\*\*] Term: **14 Years**

[21] Appl. No.: **554,587**

[22] Filed: **Jul. 18, 1990**

[52] U.S. Cl. .... **D7/381; D7/378**

[58] Field of Search ..... **D7/376-378, D7/381-384, 386, 413; 99/538, 631; 241/92; 426/615**

4,387,111	6/1983	Müllender .
4,457,222	7/1984	Finkel .
4,581,990	4/1986	Matsumoto .
4,619,192	10/1986	Cycyk et al. .
4,628,808	12/1986	Simon .
4,704,959	11/1987	Scallen .
4,738,195	4/1988	Berube et al. .
4,765,234	8/1988	Cailliot .
4,787,305	11/1988	Akesson .
4,926,726	5/1990	Julian .

### FOREIGN PATENT DOCUMENTS

1024046	1/1978	Canada .
1225910	8/1987	Canada .
3046923	7/1982	Fed. Rep. of Germany .
3708265	9/1988	Fed. Rep. of Germany .
575059	7/1924	France .
21138	of 1893	United Kingdom .

### OTHER PUBLICATIONS

Nemco Spiral Fry ® publication, 2 pages, labelled Exhibit AB.

Six photographs of a product labelled Nemco. Twelve photographs of a device labelled "White Mountain" and Apple Parer Core Slicer, (Exhibit AA).

NORPRO © document, entitled "Coily-Q Potato Cutter for Spiraled French Fried Potatoes", 2 pages, (Exhibit A).

*Primary Examiner*—Alan P. Douglas  
*Assistant Examiner*—Caron D. Veynar  
*Attorney, Agent, or Firm*—Merchant, Gould, Smith, Edell, Welter & Schmidt

### [57] CLAIM

The ornamental design for an appliance for slicing fruits and vegetables, as shown.

### DESCRIPTION

FIG. 1 is a front perspective view of an appliance for slicing fruits and vegetables showing our new design; FIG. 2 is a top plan view thereof; FIG. 3 is a front elevational view thereof; FIG. 4 is a rear elevational view thereof; FIG. 5 is a right side elevational view thereof; FIG. 6 is a left side elevational view thereof; and, FIG. 7 is a bottom plan view thereof, FIGS. 1, 2, 4, 5 and 7 show a portion of an electrical cord for ease of illustration.

### [56] References Cited

#### U.S. PATENT DOCUMENTS

D. 214,227	5/1969	Madl	.....	D7/378
D. 215,132	9/1969	Hanson et al.	.....	D7/378 X
D. 216,237	12/1969	Levin	.....	D7/378 X
D. 281,945	12/1985	Boyce	.....	D7/378
2,156,645	5/1939	Waller	.	
2,464,993	3/1949	Ross	.	
2,489,581	11/1949	Mason	.	
2,508,868	5/1950	Ross	.	
2,715,927	8/1955	Cüpper	.	
3,058,149	10/1962	Schmid et al.	.	
3,159,195	12/1964	Loveland	.	
3,162,225	12/1964	Loveland	.	
3,164,183	1/1965	Kirkpatrick	.	
3,211,202	10/1965	Mason	.	
3,285,388	11/1966	Armstrong	.	
3,310,084	3/1967	Anderson et al.	.	
3,357,469	12/1967	Pease et al.	.	
3,434,517	3/1969	Durand, Jr. et al.	.	
3,452,794	7/1969	Cooke et al.	.	
3,610,303	10/1971	Loveland	.	
3,696,847	10/1972	Erekson et al.	.	
3,848,524	11/1974	Semrow	.....	99/631
3,874,259	4/1975	Chambos et al.	.	
3,952,621	4/1976	Chambos	.	
4,194,697	3/1980	Lembeck	.....	241/92
4,216,712	8/1980	Altman	.	
4,348,950	9/1982	Harris	.	
4,363,266	12/1982	Tichy et al.	.	

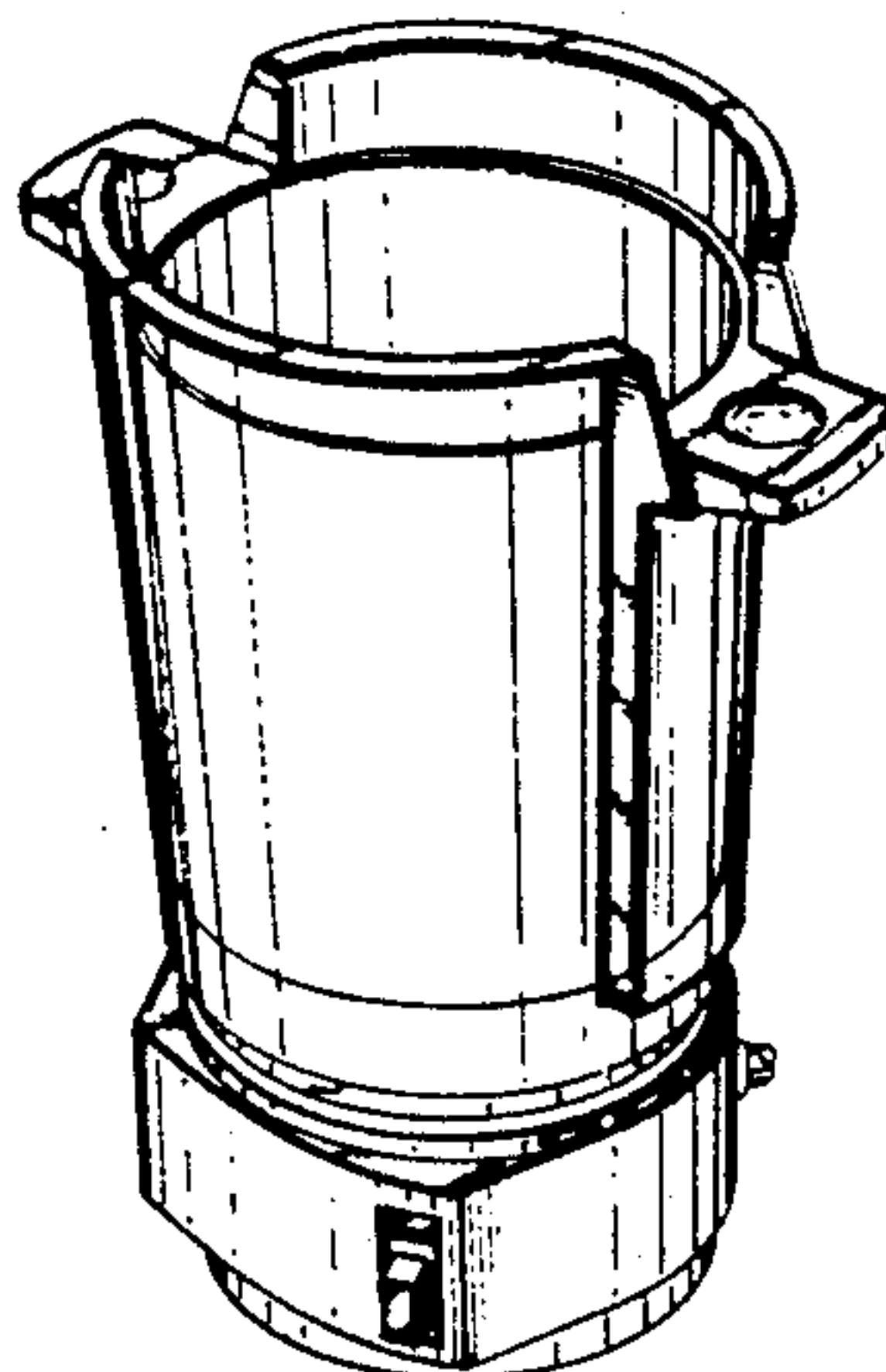


FIG. 1

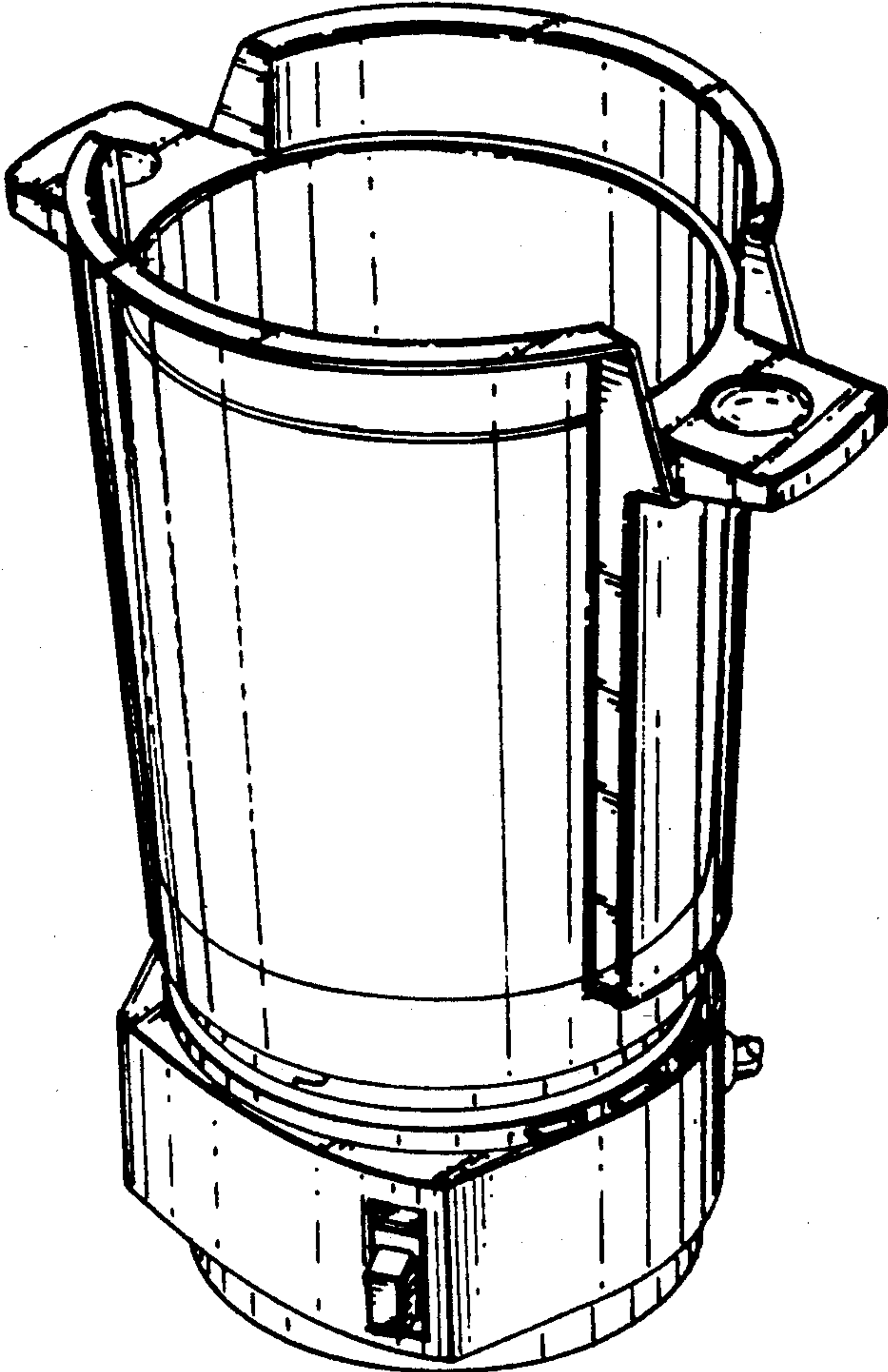


FIG. 2

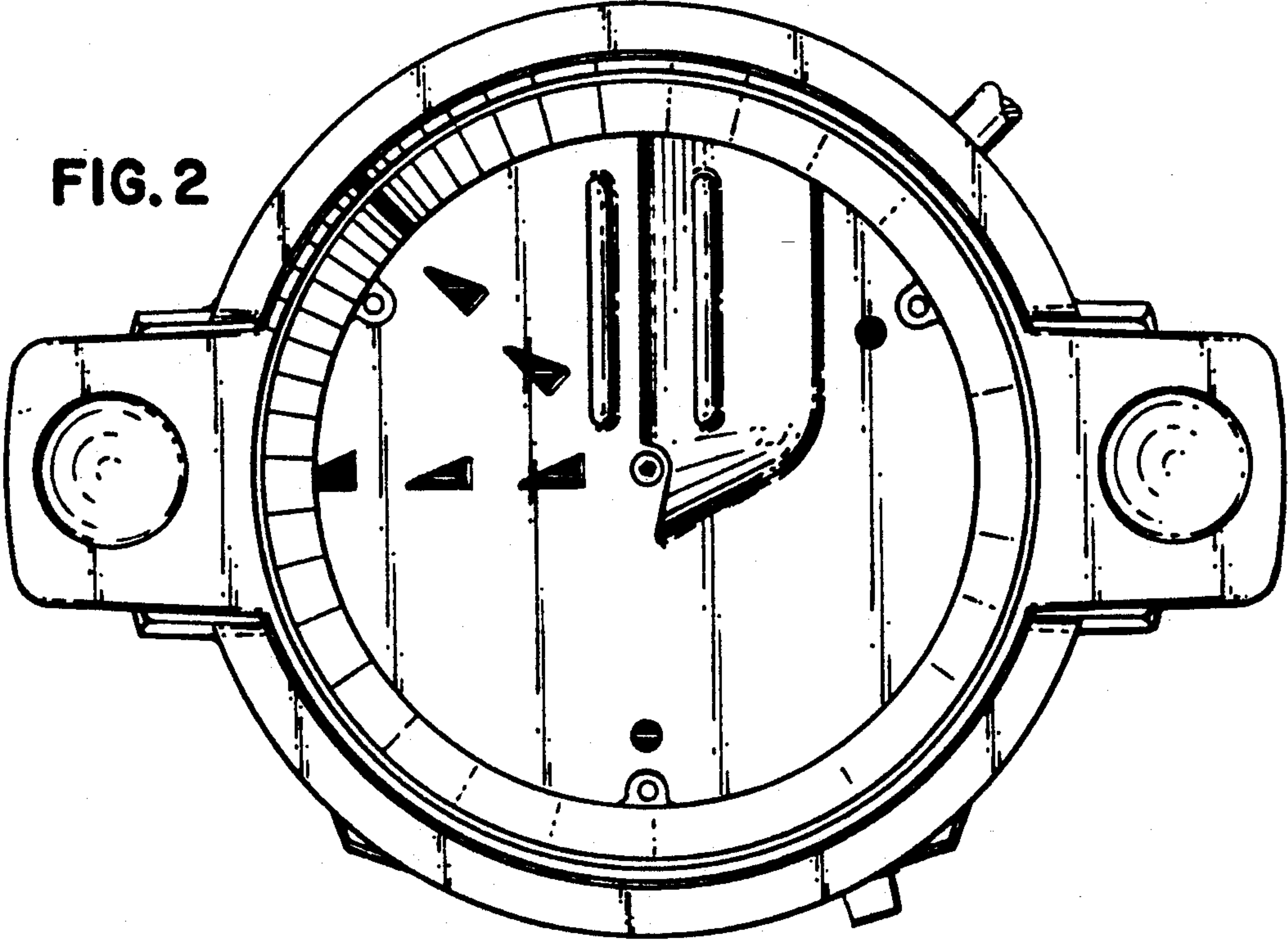


FIG. 3

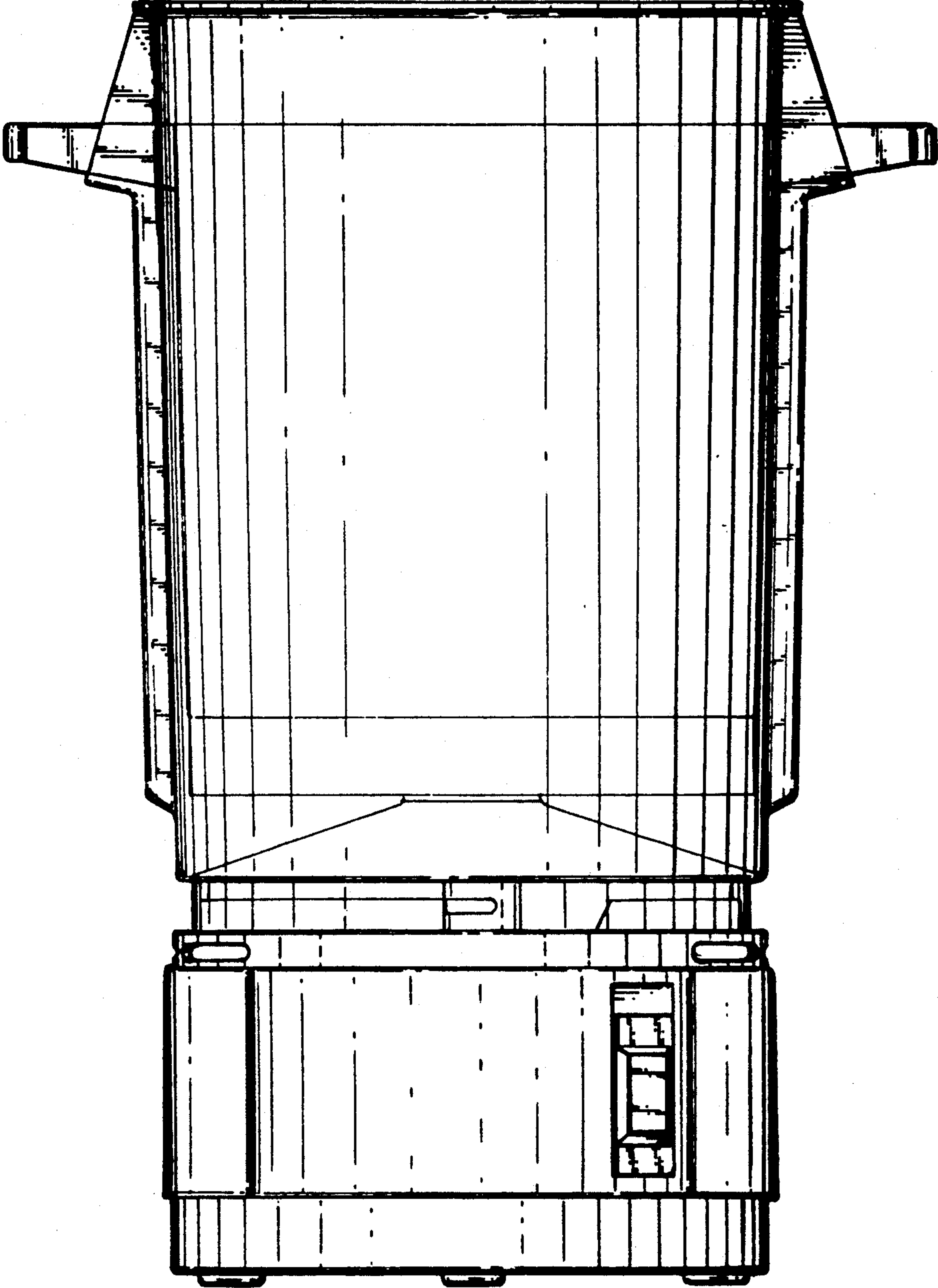




FIG. 4

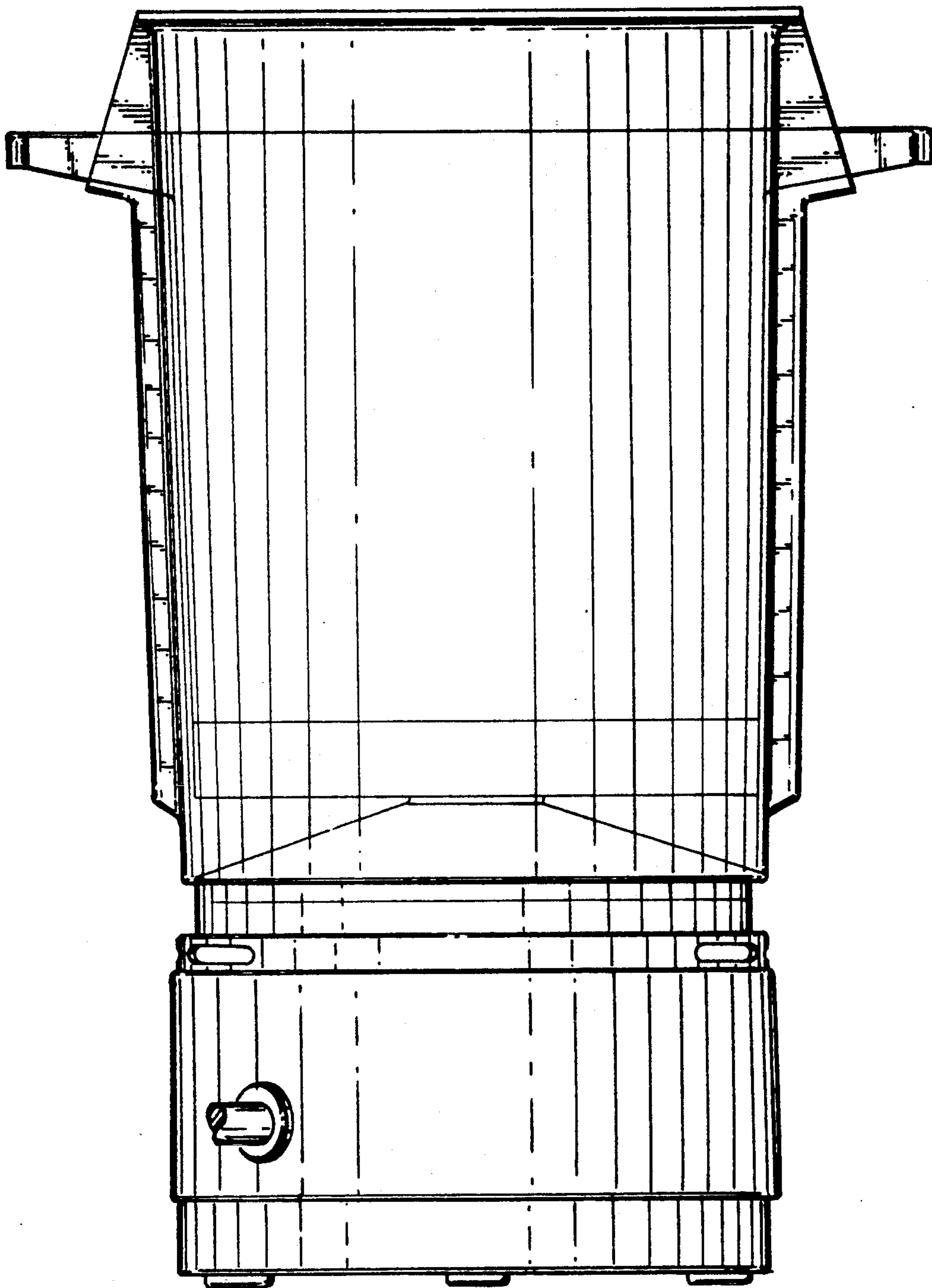


FIG. 5

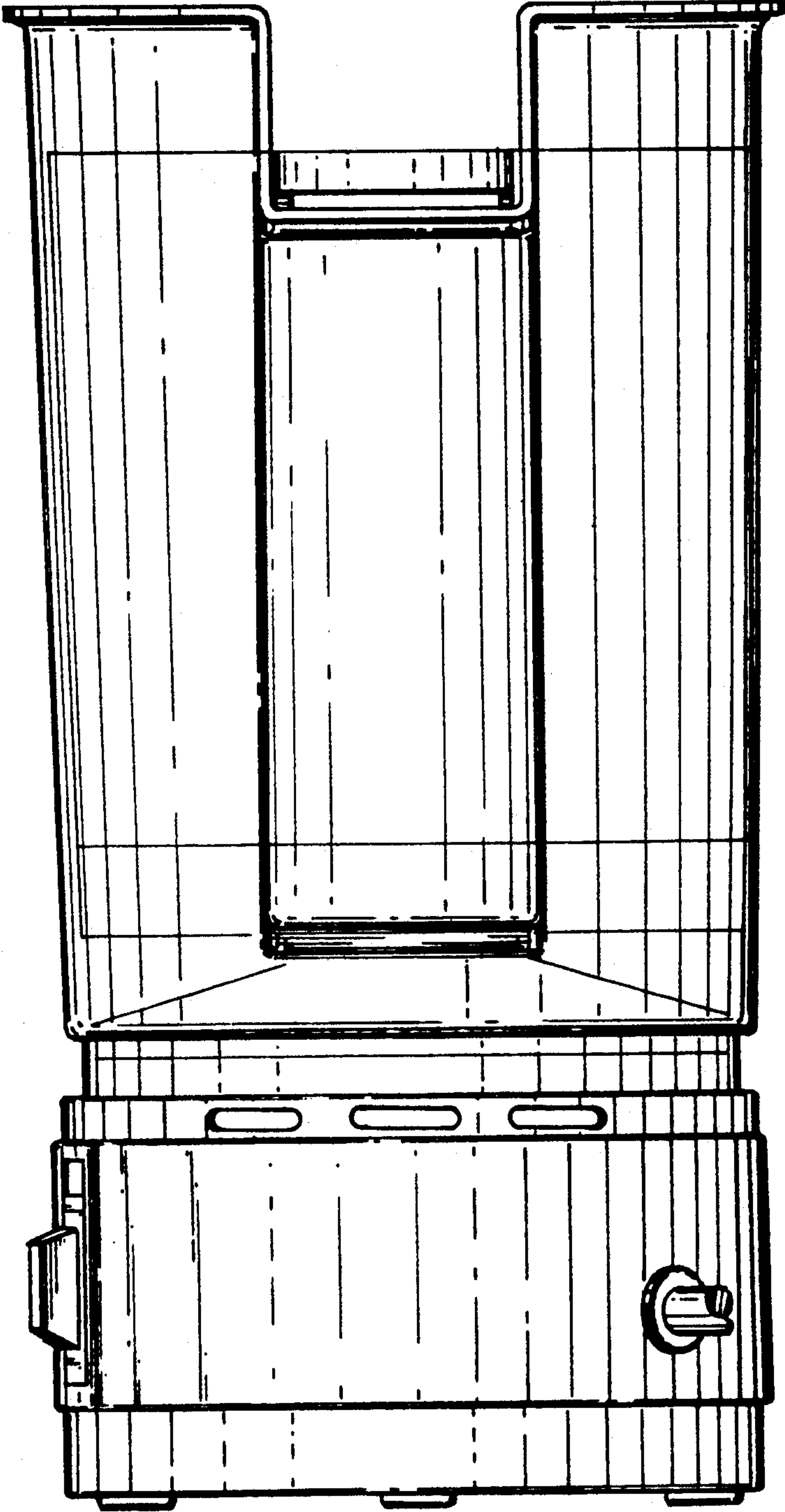
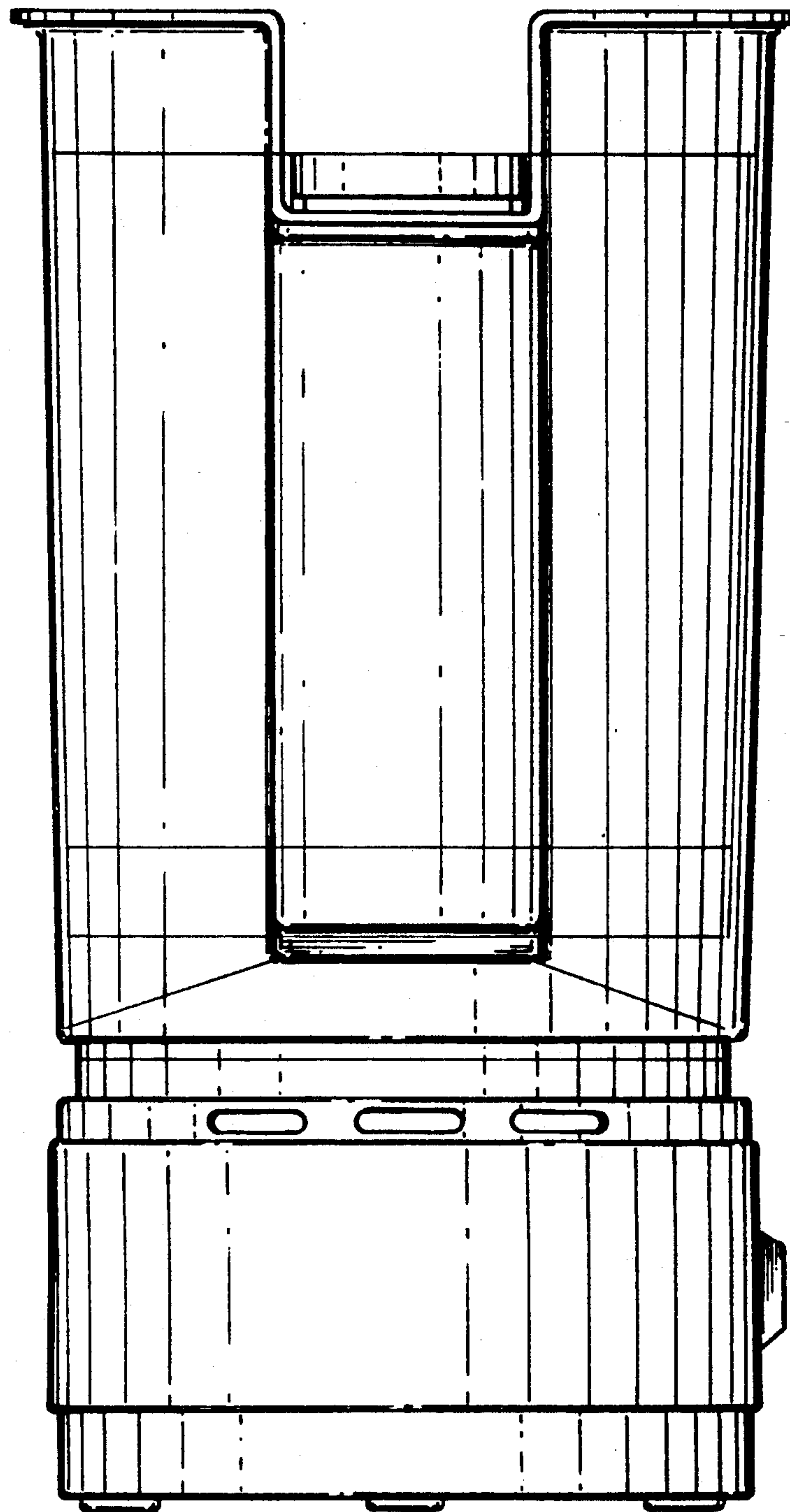


FIG. 6



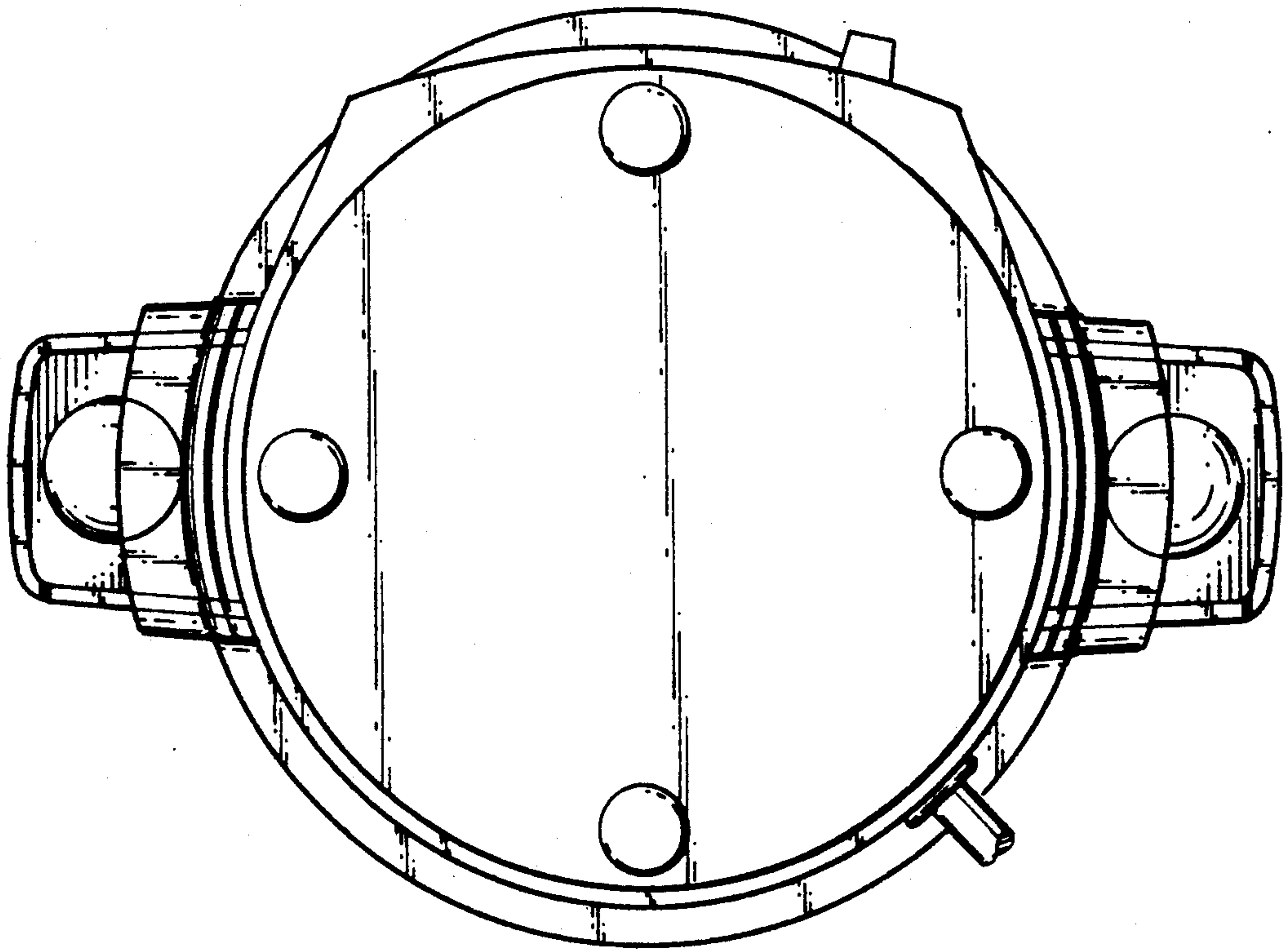


FIG.7