



US00D332722S

# United States Patent [19]

[11] Patent Number: **Des. 332,722**

Torbet et al.

[45] Date of Patent: **\*\* Jan. 26, 1993**

[54] **ATTACHMENT FOR A HAND MIXER**

3,671,296	6/1972	Funakoshi et al.	427/212
4,124,310	11/1978	Brackman et al.	366/314
4,561,782	12/1985	Jacobsen et al.	366/349

[75] Inventors: **Philip A. Torbet**, Tiburon, Calif.;  
**Gary Van Deursen**, Upper Saddle River, N.J.; **Don R. McCloskey**, Stratford, Conn.

**OTHER PUBLICATIONS**

Black & Decker Household Products Catalog; 1989-1990, Mixer Models #M175, M22S, M24S.

[73] Assignee: **Black & Decker Inc.**, Newark, Del.

*Primary Examiner*—Alan P. Douglas  
*Assistant Examiner*—Caron D. Veynar  
*Attorney, Agent, or Firm*—Barry E. Deutsch

[\*\*] Term: **14 Years**

[21] Appl. No.: **625,617**

[57] **CLAIM**

[22] Filed: **Dec. 11, 1990**

The ornamental design for an attachment for a hand mixer, as shown and described.

[52] U.S. Cl. .... **D7/412; D7/387**

[58] Field of Search ..... **D7/376, 379, 412; 366/241, 244, 247, 306, 343, 279; 241/37.5, 92, 93, 98, 101.1, 199.12, 282.1, 282.2**

**DESCRIPTION**

[56] **References Cited**

**FIG. 1** is a perspective view of an attachment for a hand mixer showing our new design;  
**FIG. 2** is a right side elevational view thereof;  
**FIG. 3** is a left side elevational view thereof;  
**FIG. 4** is a top plan view thereof;  
**FIG. 5** is a bottom plan view thereof;  
**FIG. 6** is a rear elevational view thereof; and,  
**FIG. 7** is a front elevational view thereof.  
The broken line showing of a mixer housing and beaters in **FIGS. 1-7** are environmental only and form no part of the claimed design.

**U.S. PATENT DOCUMENTS**

D. 195,423	6/1963	Grise	D7/376 X
2,753,160	7/1956	Gunn	D7/412 X
2,930,596	3/1960	Waters	366/279
3,313,332	4/1967	Stephan et al.	241/98
3,373,975	3/1968	Congdon	366/247
3,415,497	12/1968	Johnson	366/247
3,417,972	12/1968	Vincent	200/504
3,434,518	3/1969	Motis	241/199.12

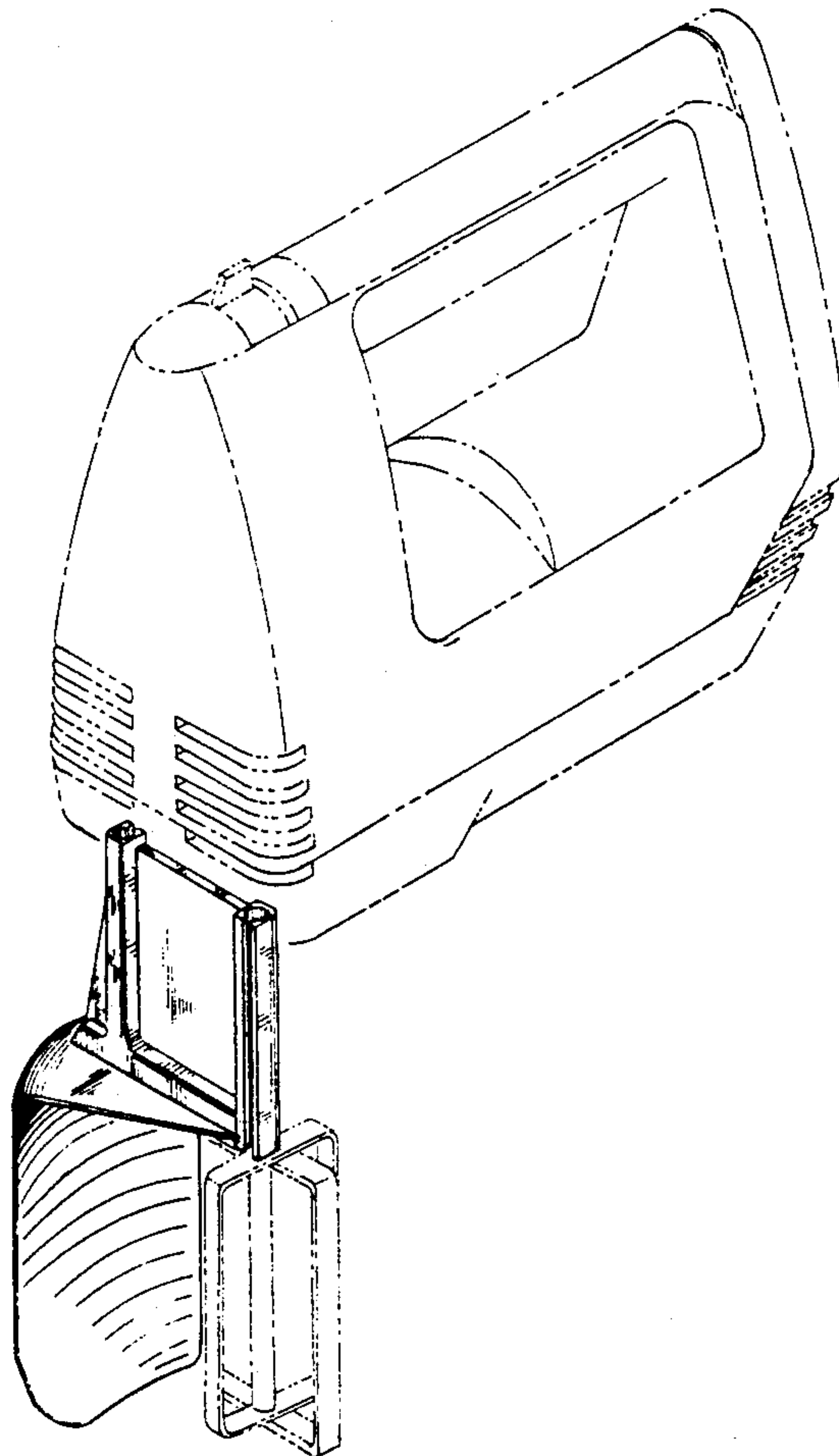


FIG. 1

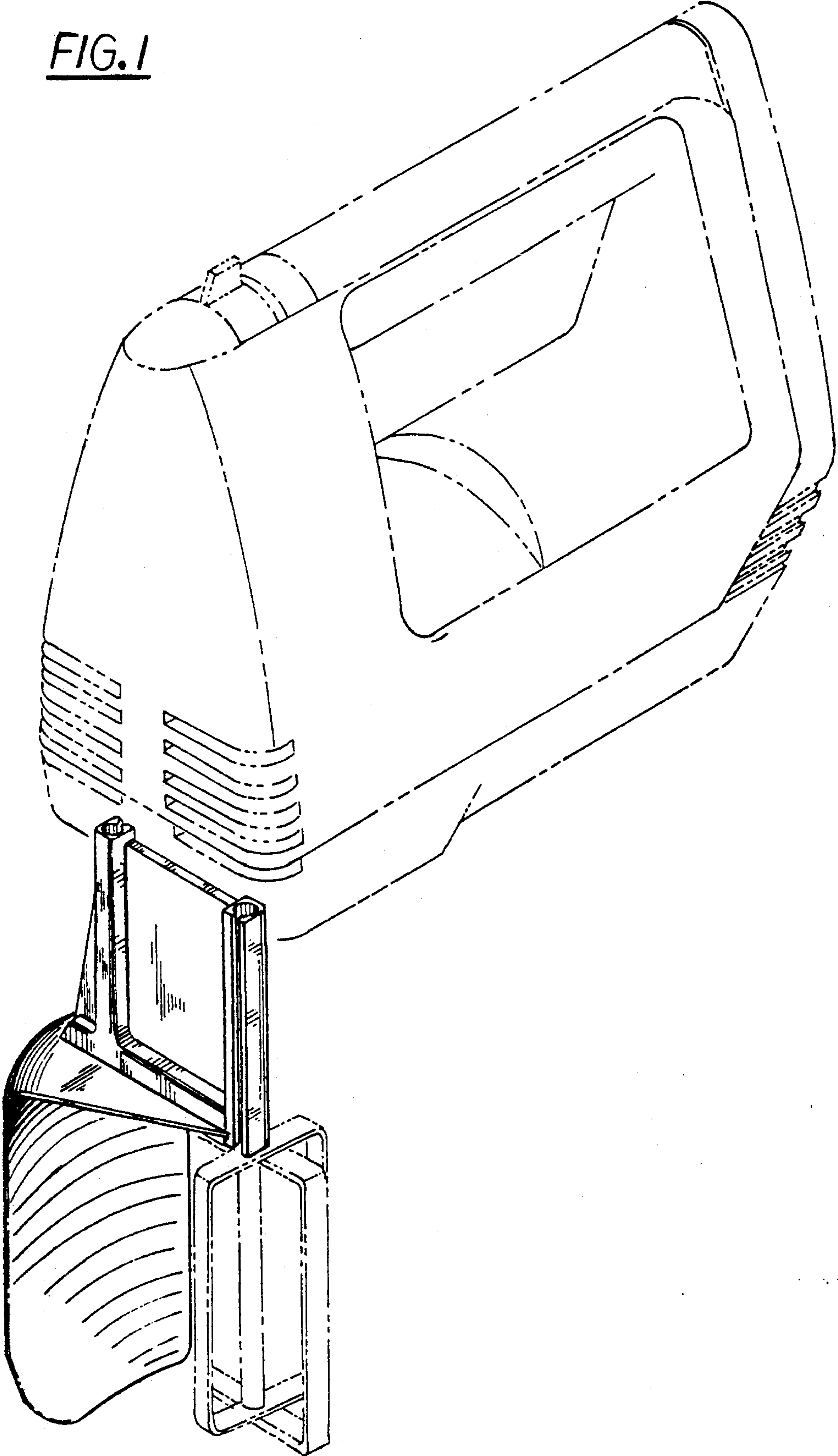


FIG. 2

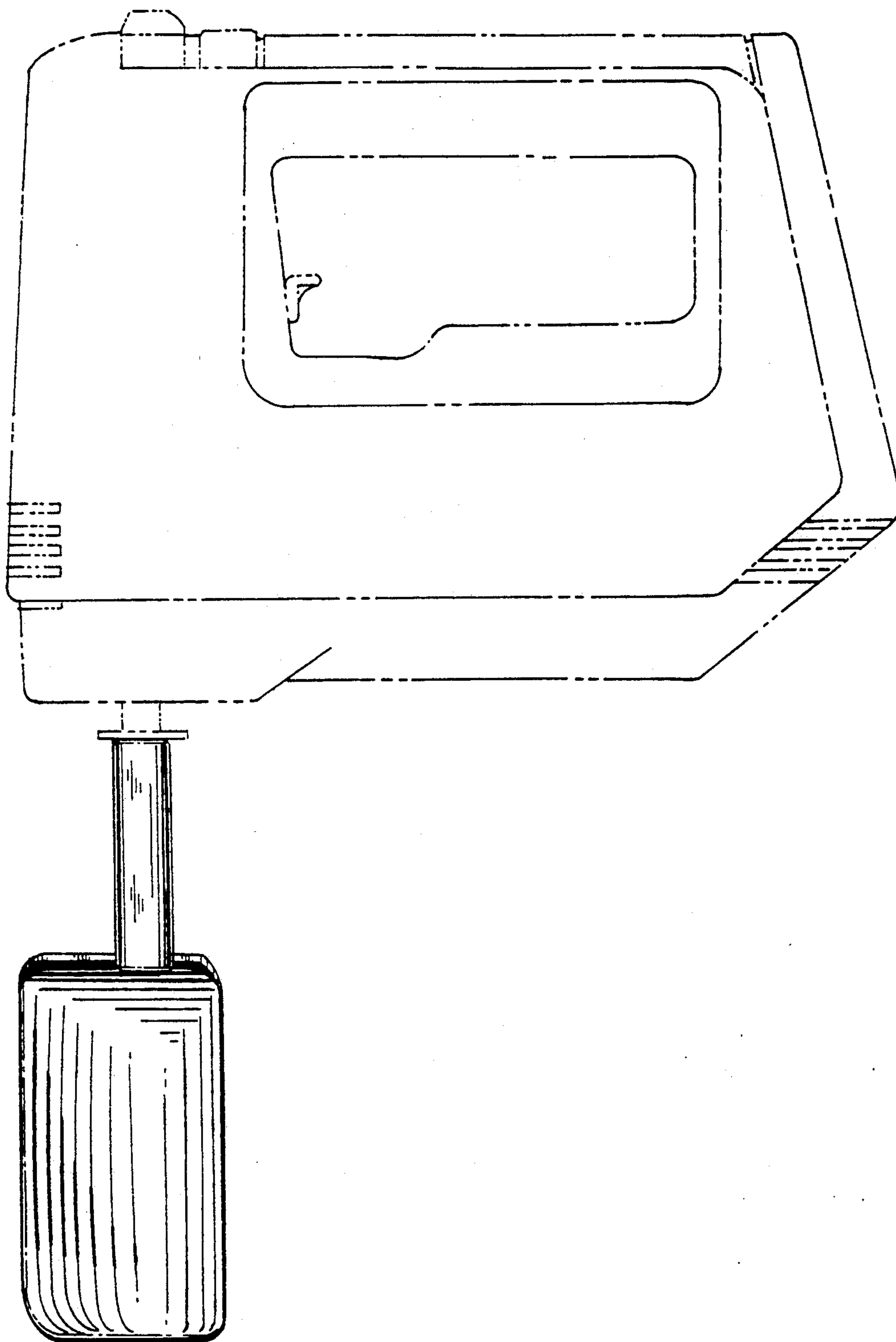


FIG. 3

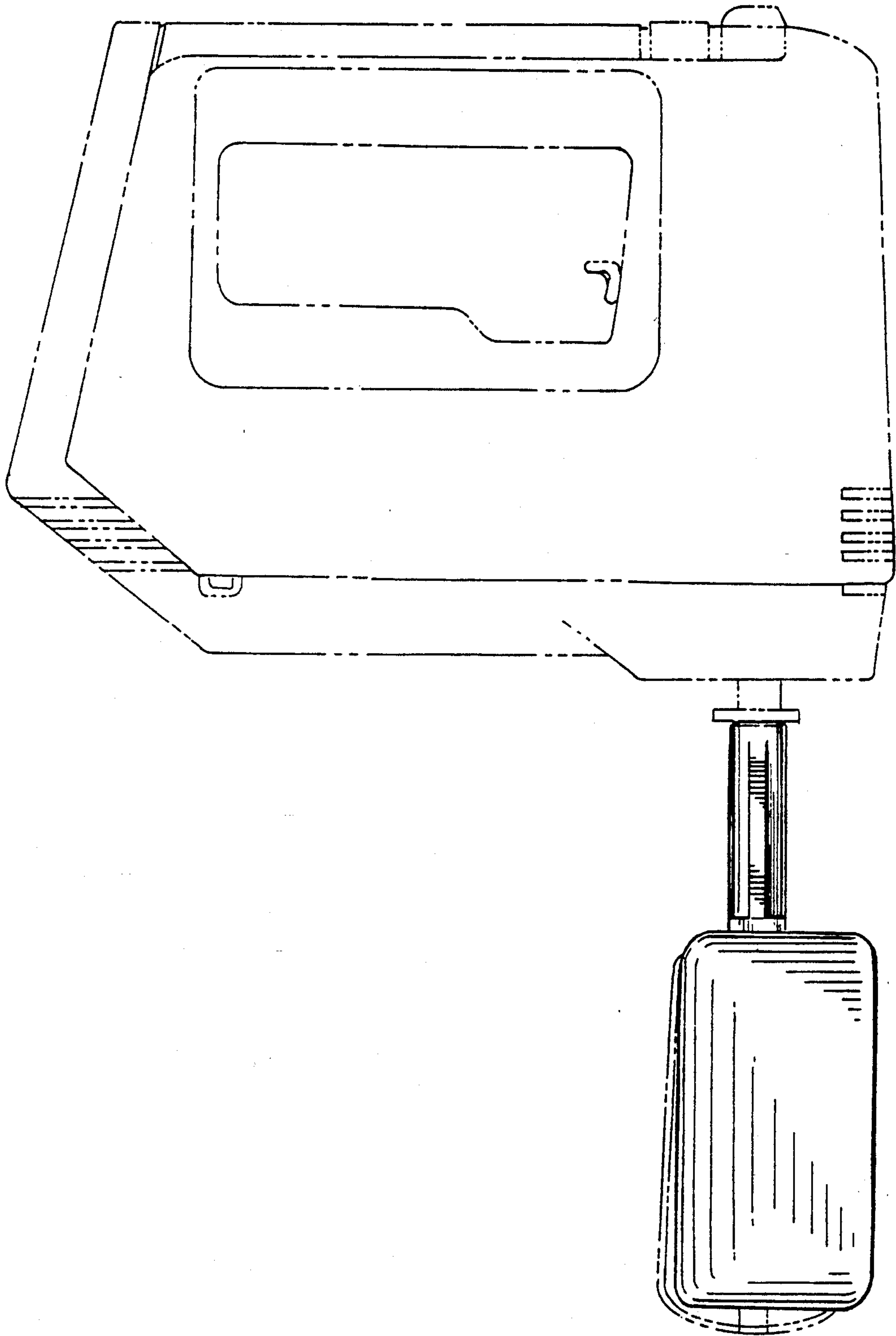


FIG. 4

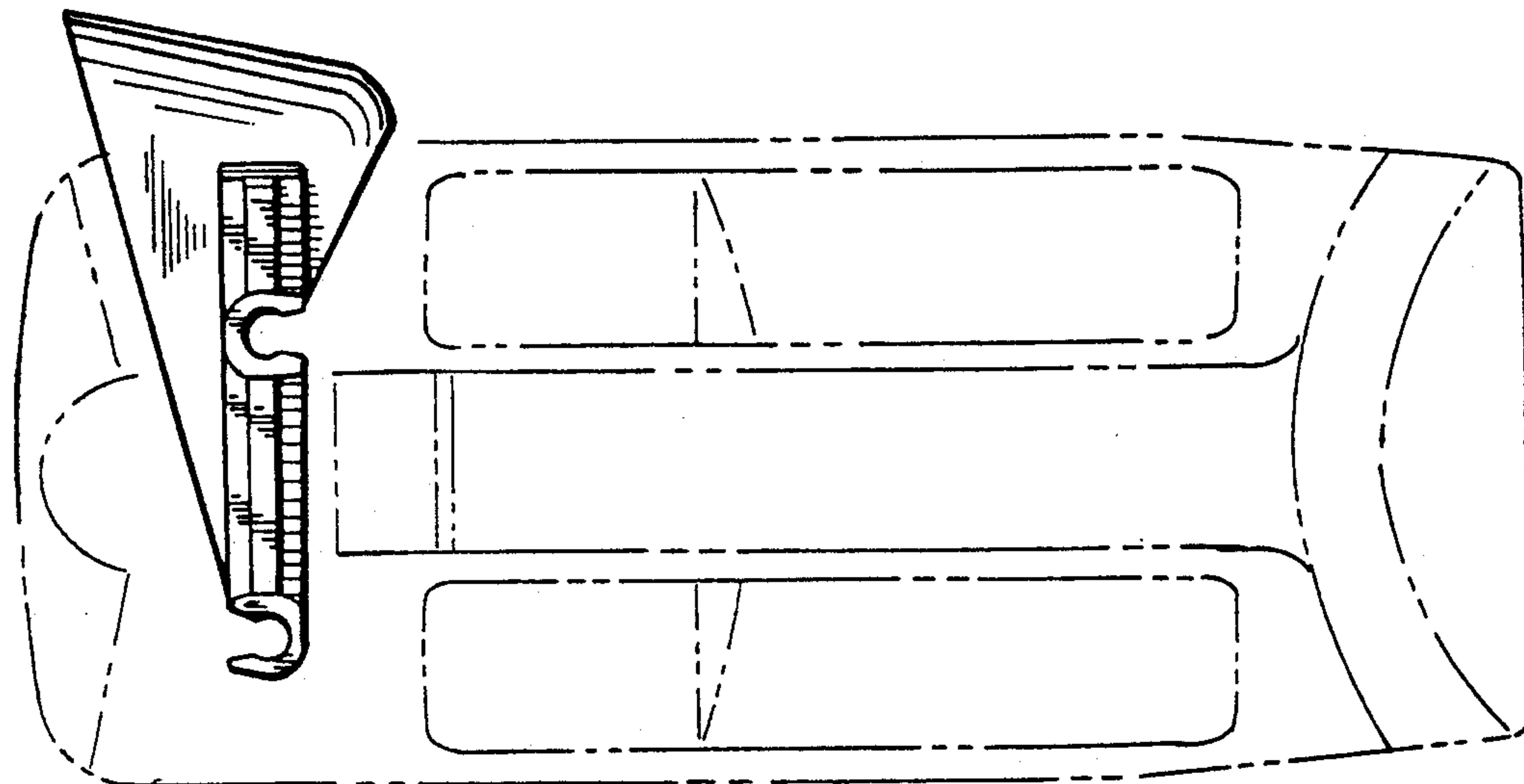


FIG. 5

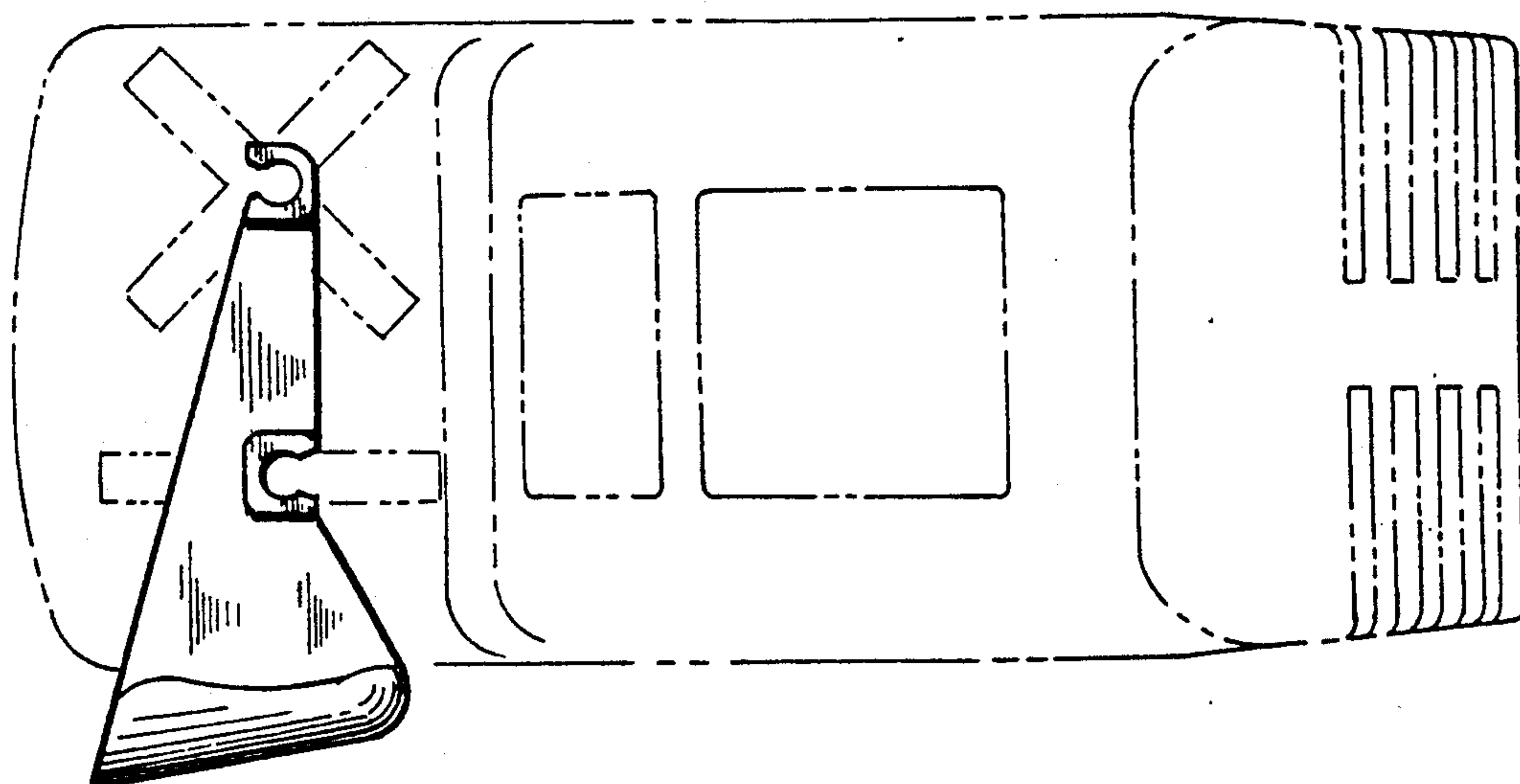




FIG. 6

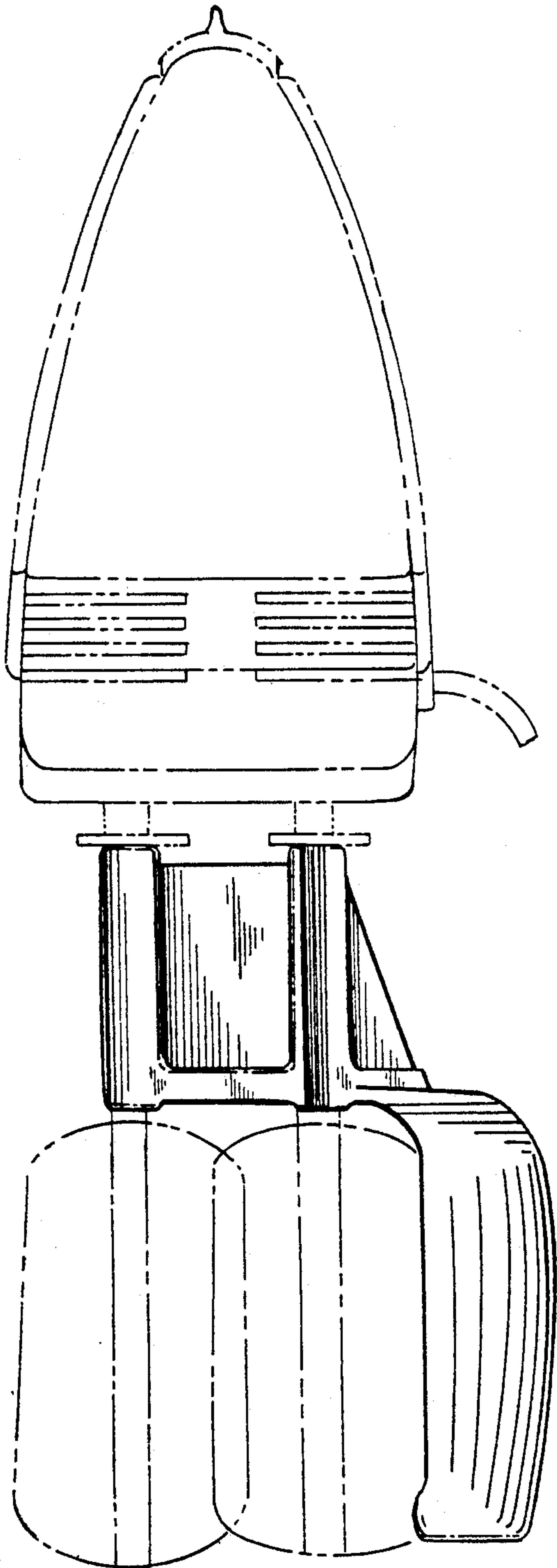


FIG. 7

