



US00D332719S

# United States Patent [19]

[11] Patent Number: **Des. 332,719**

Wolfe, III

[45] Date of Patent: **\*\* Jan. 26, 1993**

[54] SHELF

D. 201,023	5/1965	Sonneveldt	.....	D6/574
D. 325,838	5/1992	Lamprey	.....	D6/574
2,540,353	2/1951	Schick	.....	108/92

[76] Inventor: **Russell Wolfe, III**, 32 Moore Ave., Nashville, Tenn. 37210

*Primary Examiner*—Brian N. Vinson  
*Attorney, Agent, or Firm*—I. C. Waddey, Jr.

[\*\*] Term: **14 Years**

[21] Appl. No.: **589,904**

[57] **CLAIM**

[22] Filed: **Sep. 28, 1990**

The ornamental design for a shelf, as shown and described.

[52] U.S. Cl. .... **D6/574**

[58] Field of Search ..... **D6/553, 567, 574, 480, D6/482, 485-486; 211/94.5, 128; 108/59, 91-93**

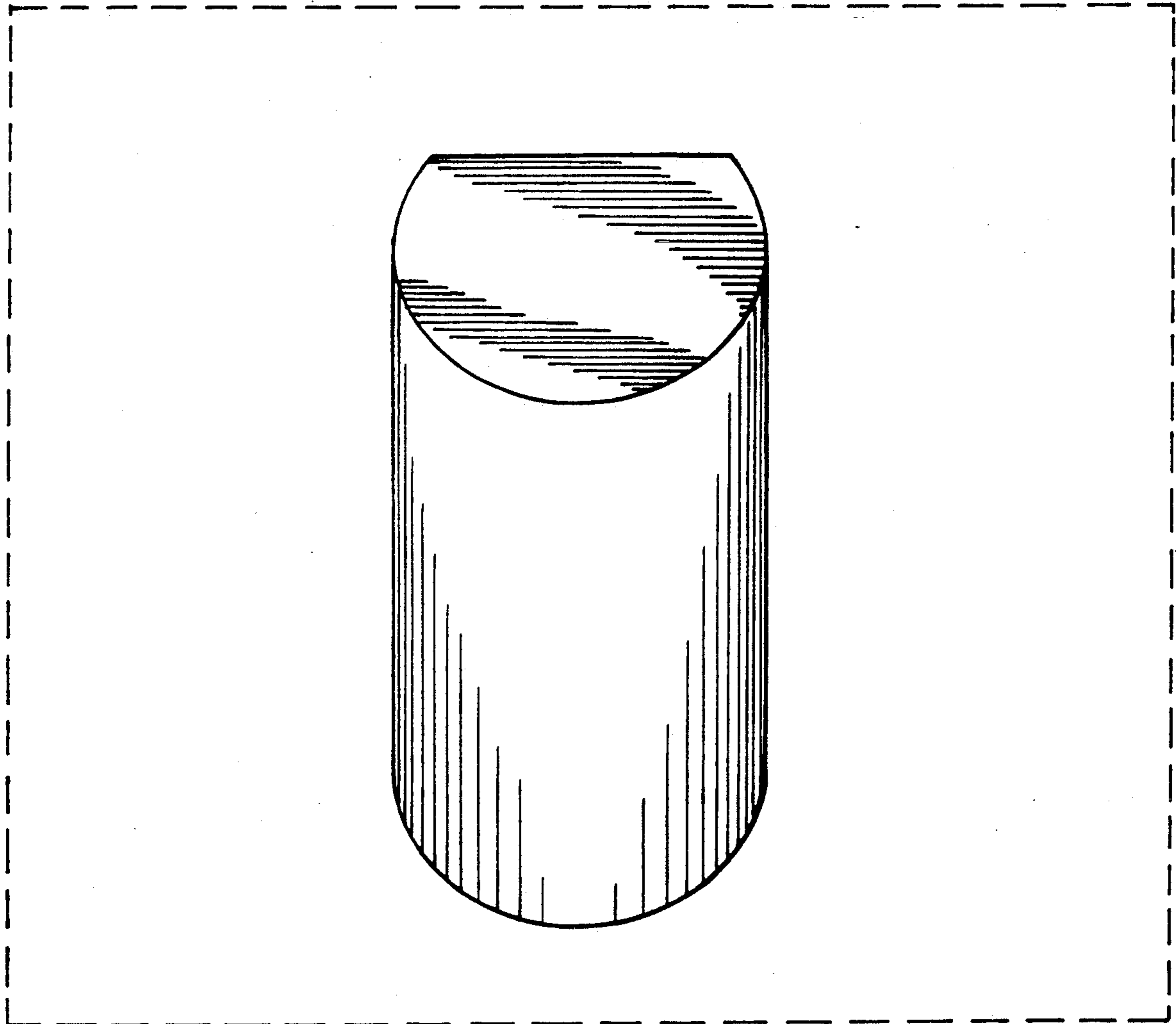
**DESCRIPTION**

FIG. 1 is a top and front perspective view of a shelf showing my new design, the broken-line disclosure of a portion of a wall being for illustrative purposes only and forming no part of the claimed design; FIG. 2 is a reduced rear elevational view thereof; and, FIG. 3 is a reduced front elevational view thereof.

[56] **References Cited**

**U.S. PATENT DOCUMENTS**

D. 166,946 6/1952 Black ..... D44/29



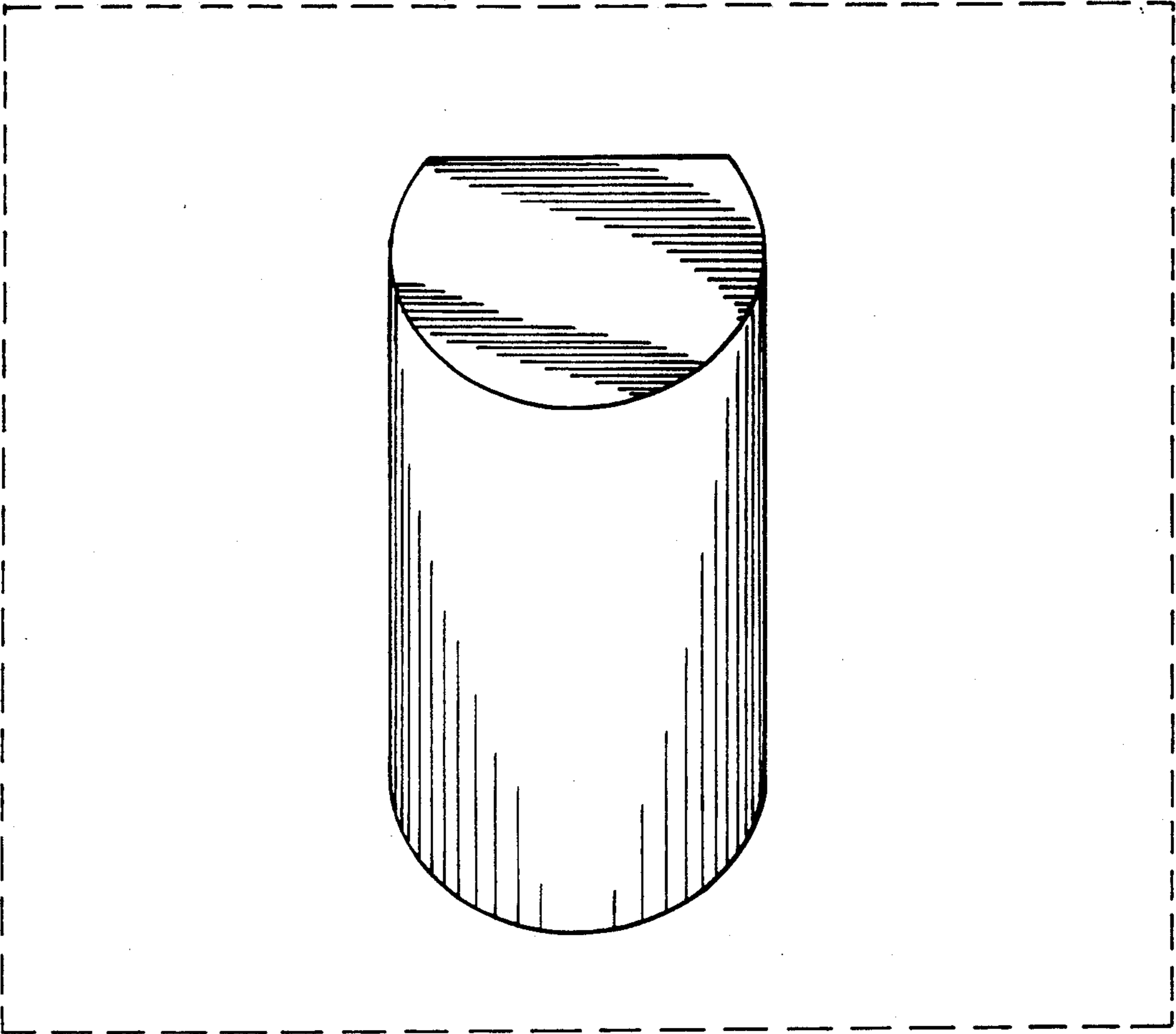


FIG. 1

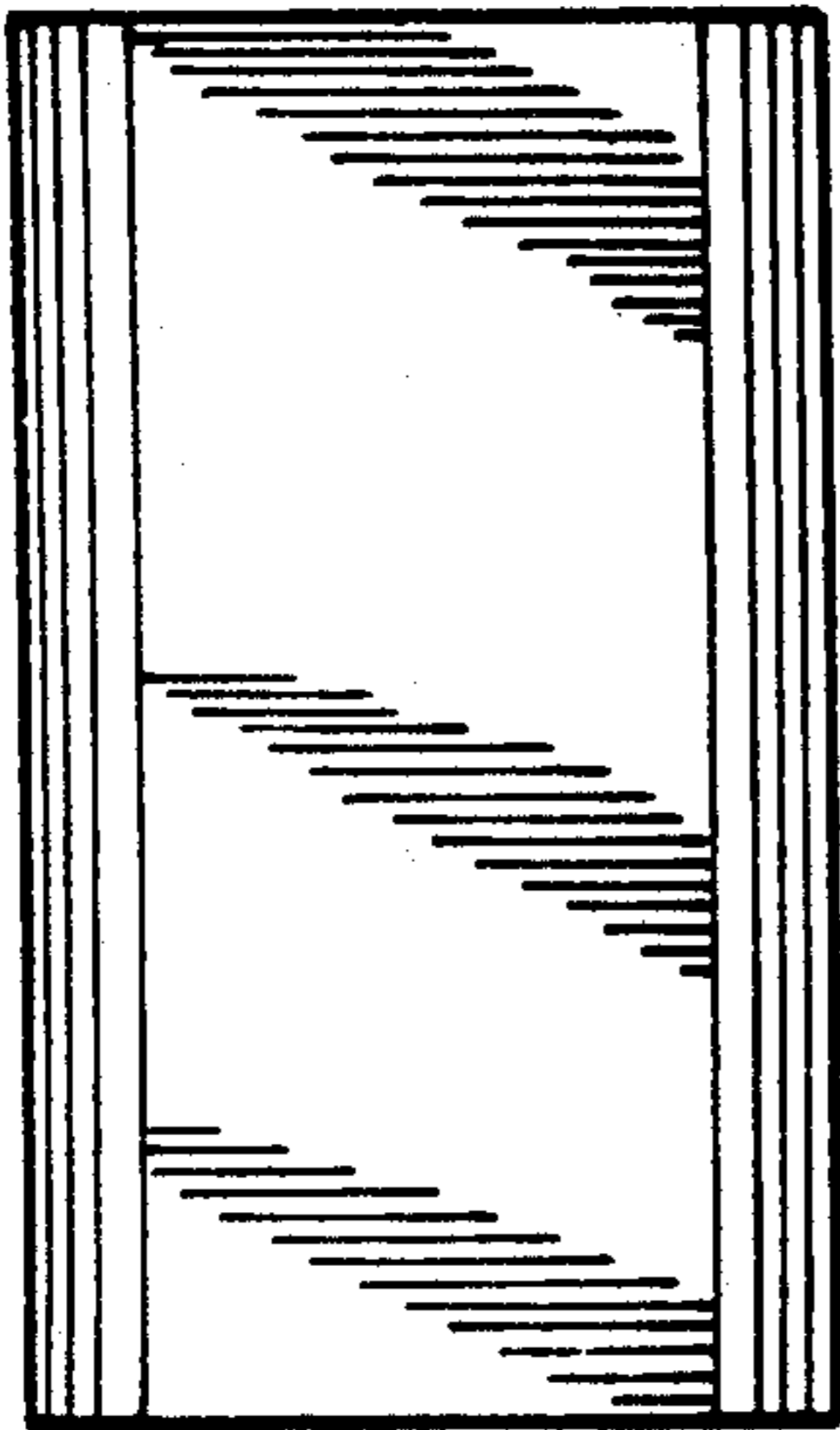


FIG. 2

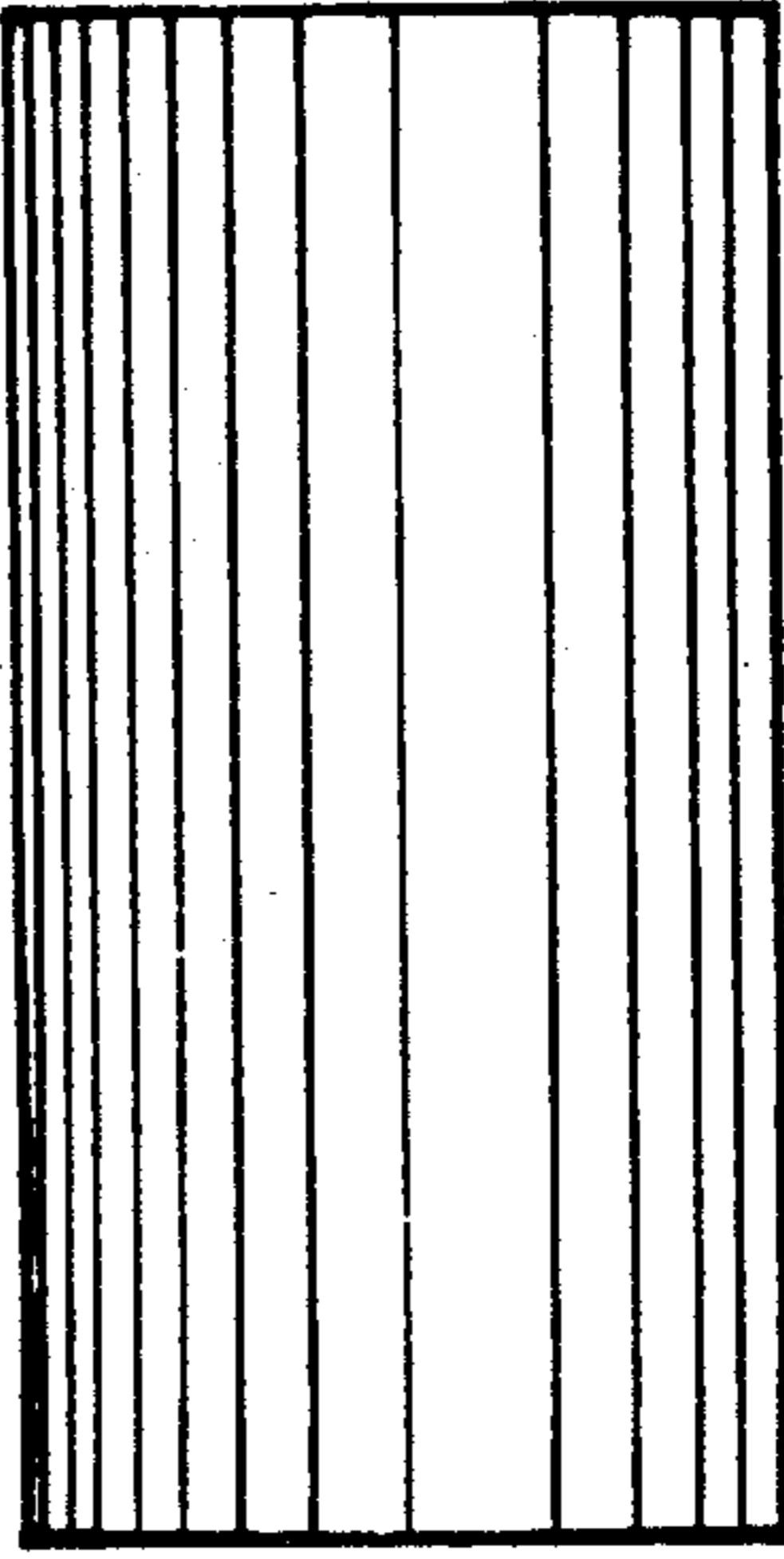


FIG. 3