



US00D332717S

United States Patent [19]

Wolfe, III

[11] Patent Number: **Des. 332,717**

[45] Date of Patent: **** Jan. 26, 1993**

[54] **SHELVING ASSEMBLY**

[76] Inventor: **Russell Wolfe, III**, 32 Moore Ave., Nashville, Tenn. 37210

[**] Term: **14 Years**

[21] Appl. No.: **589,903**

[22] Filed: **Sep. 28, 1990**

[52] U.S. Cl. **D6/570**

[58] Field of Search **D6/553, 567, 569-570, D6/574, 480, 482, 485, 490; 211/94.5, 128; 108/59, 91-92, 93**

D. 323,439	1/1992	Emery	D6/570 X
2,219,975	10/1940	Bentz	108/152 X
2,540,353	2/1951	Schick	100/92
3,106,901	10/1963	Locek	108/59 X
4,760,800	8/1988	Hanson	108/59 X

OTHER PUBLICATIONS

Nat Siegel Cat. #52 (1950) p. 15 Display Merchandiser.

Primary Examiner—Brian N. Vinson

Attorney, Agent, or Firm—I. C. Wadley, Jr.

[57] CLAIM

The ornamental design for a shelving assembly, as shown and described.

DESCRIPTION

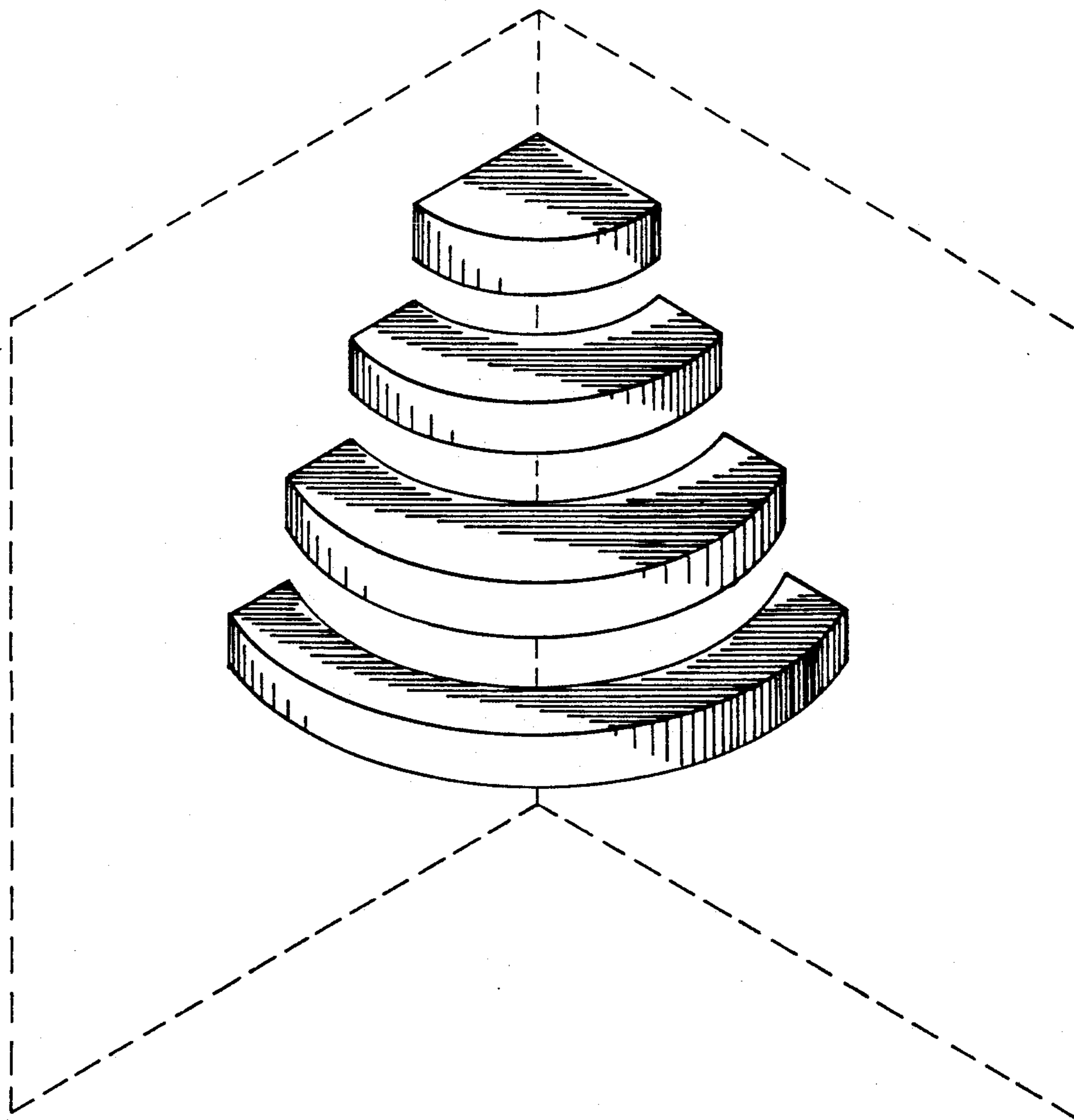
FIG. 1 is a top and front perspective view of a shelf assembly showing my new design, the broken-line disclosure of a portion of a wall being for illustrative purposes only and forming no part of the claimed design; and,

FIG. 2 is a reduced right side elevational view thereof.

[56] References Cited

U.S. PATENT DOCUMENTS

D. 92,870	7/1934	Stone	D6/571
D. 145,111	6/1946	Willis	D6/569
D. 179,079	10/1956	Hopper	D6/482 X
D. 201,023	5/1965	Sonneveldt	D6/574
D. 253,748	12/1979	Kovacs	D8/363
D. 291,751	9/1987	Salvato	D6/482
D. 299,896	2/1989	Harrell	D6/574



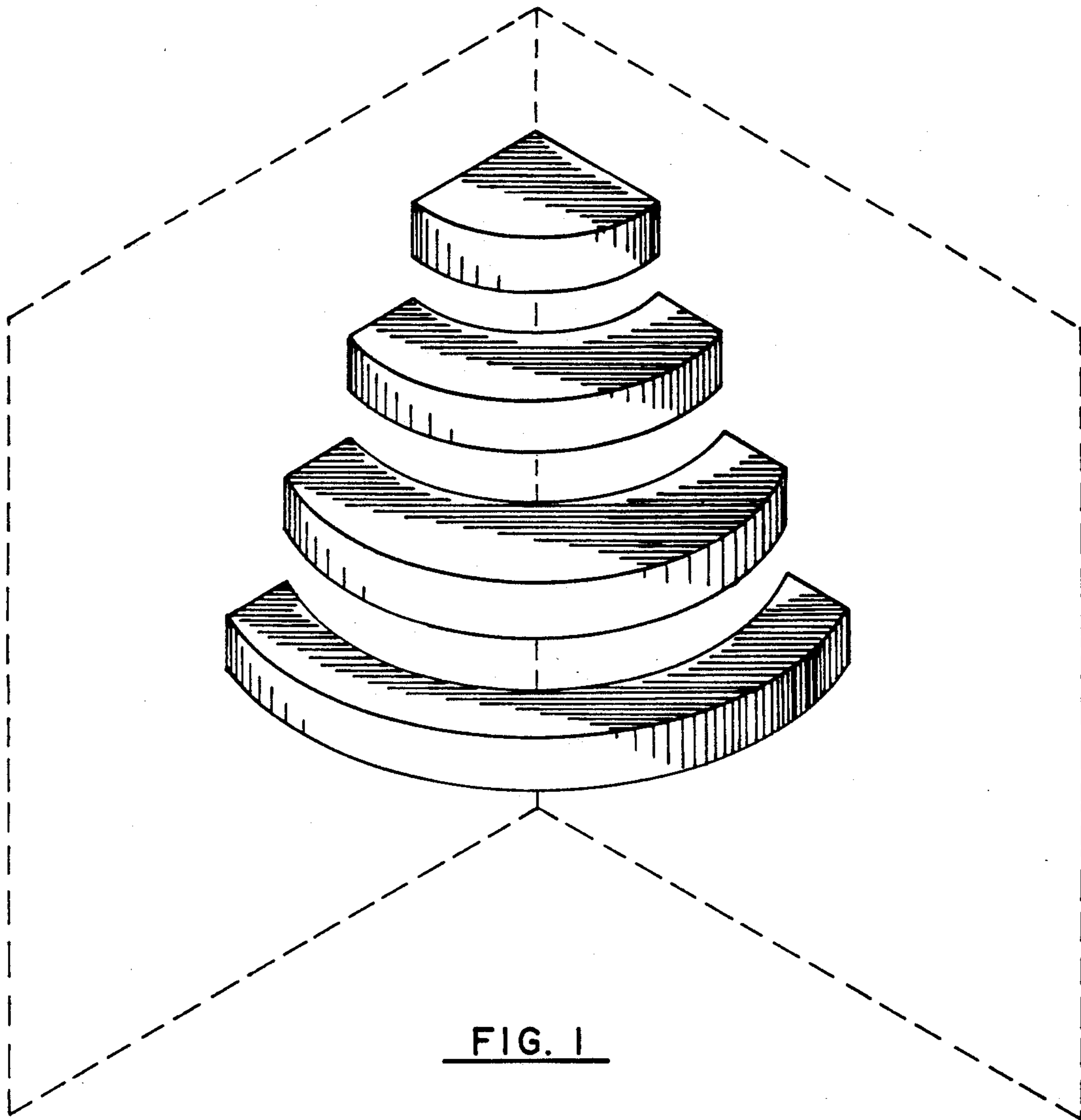


FIG. 1

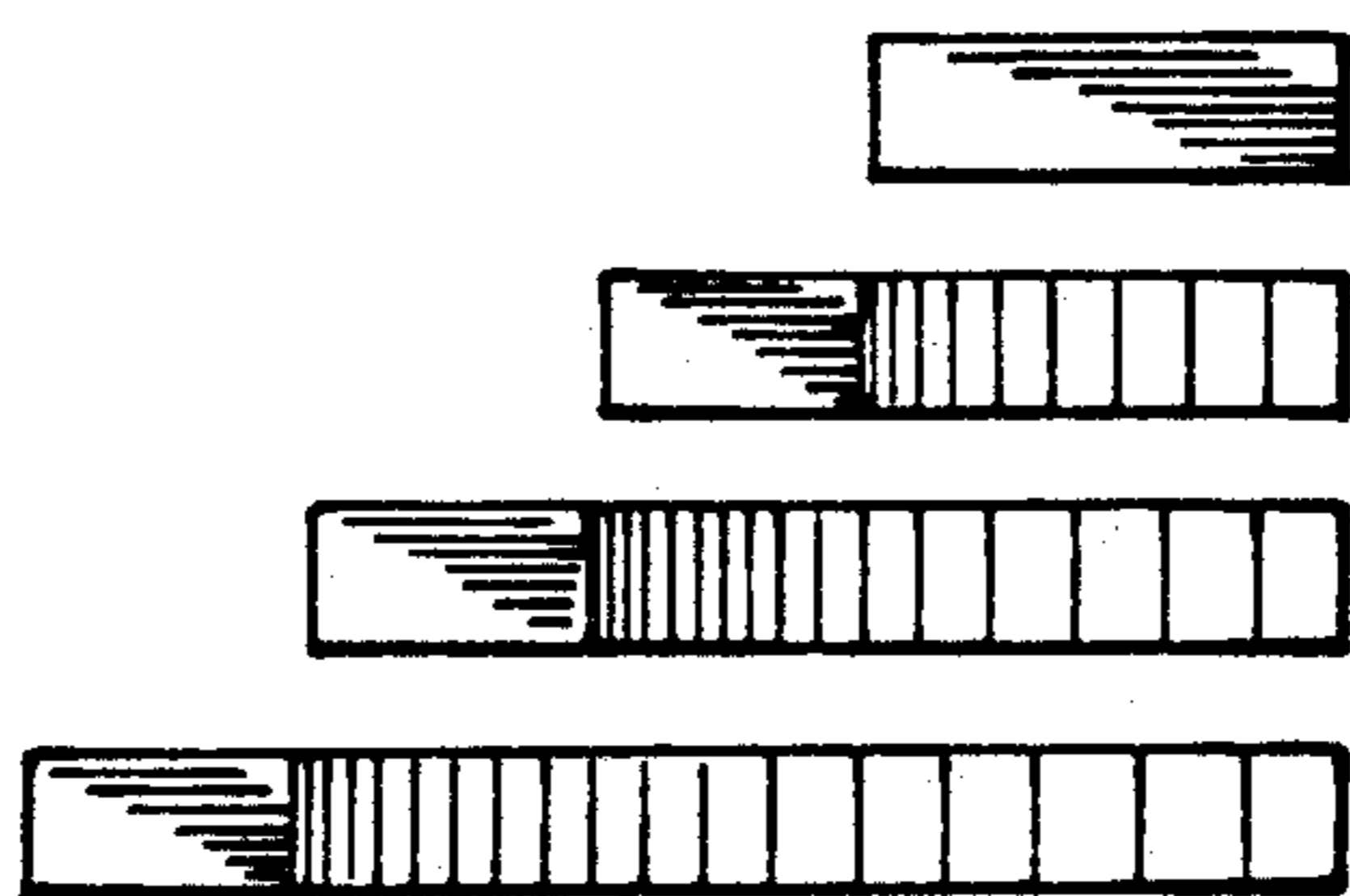


FIG. 2