



US00D332716S

# United States Patent [19]

[11] Patent Number: **Des. 332,716**

Wolfe, III

[45] Date of Patent: **\*\* Jan. 26, 1993**

[54] **FREE FORM SHELF COMBINATION**

[76] Inventor: **Russell Wolfe, III, 32 Moore Ave., Nashville, Tenn. 37210**

[\*\*] Term: **14 Years**

[21] Appl. No.: **589,900**

[22] Filed: **Sep. 28, 1990**

[52] U.S. Cl. .... **D6/570**

[58] Field of Search ..... **D6/553, 567, 569-570, D6/477, 482, 485, 490, 574, 480; 211/94.5, 128; 108/59, 91-93**

|            |         |               |           |
|------------|---------|---------------|-----------|
| D. 323,439 | 1/1992  | Emery .....   | D6/570 X  |
| 2,219,975  | 10/1940 | Bentz .....   | 108/152 X |
| 2,540,353  | 2/1951  | Schick .....  | 108/92    |
| 3,034,841  | 5/1962  | Blevins ..... | 108/92 X  |
| 3,106,901  | 10/1963 | Locek .....   | 108/59 X  |
| 4,760,800  | 8/1988  | Hanson .....  | 108/59 X  |

### OTHER PUBLICATIONS

Nat Siegel Cat. #52 (1950) p. 15 Display Merchandiser.

Primary Examiner—Brian N. Vinson

Attorney, Agent, or Firm—I. C. Waddey, Jr.

### [57] CLAIM

The ornamental design for a shelving assembly, as shown and described.

### [56] References Cited

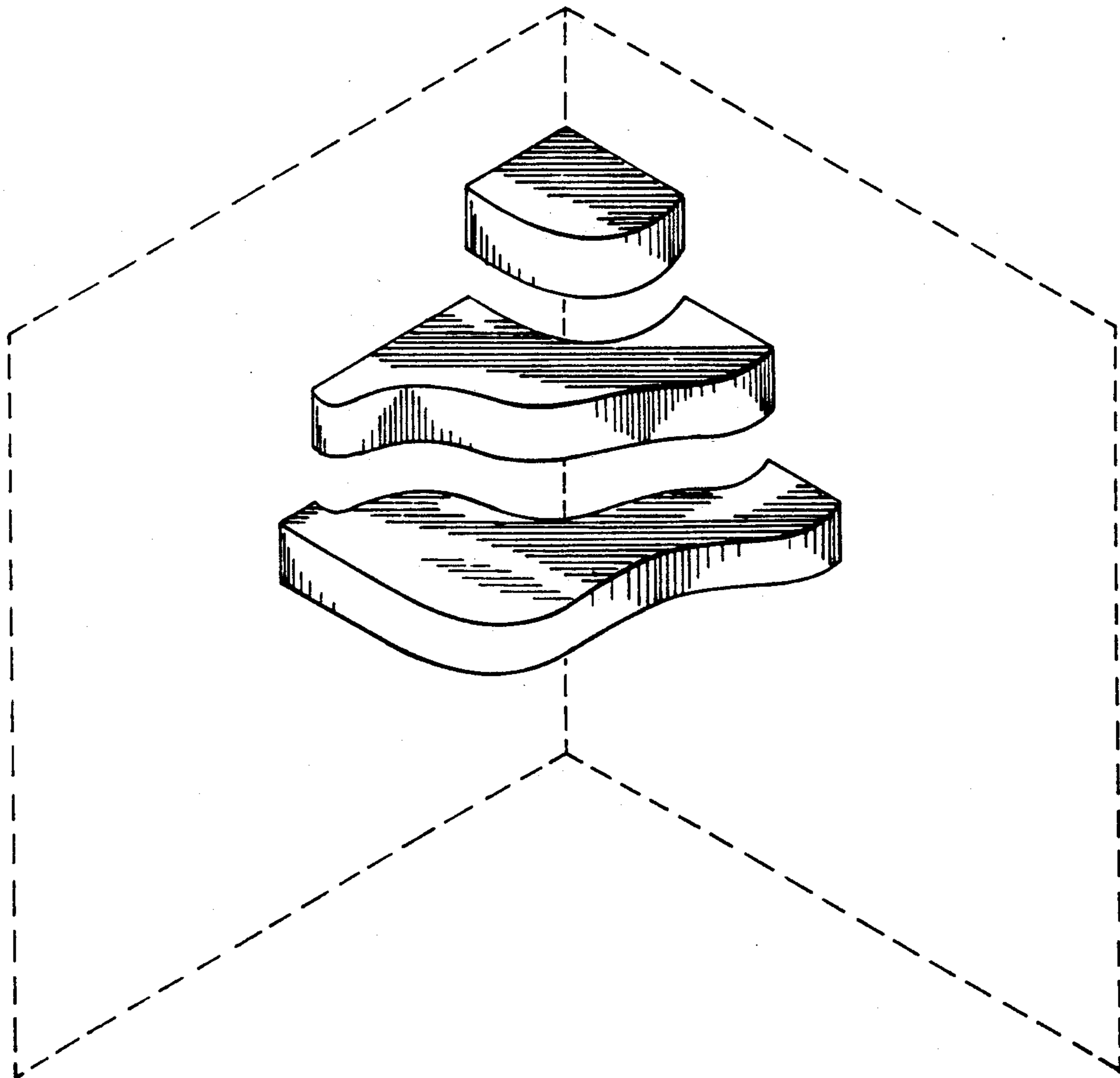
#### U.S. PATENT DOCUMENTS

|            |         |                  |          |
|------------|---------|------------------|----------|
| D. 92,870  | 7/1934  | Stone .....      | D6/571   |
| D. 145,111 | 6/1946  | Willis .....     | D6/569   |
| D. 179,079 | 10/1956 | Hopper .....     | D6/482 X |
| D. 201,023 | 5/1965  | Sonneveldt ..... | D6/574   |
| D. 253,748 | 12/1979 | Kovacs .....     | D8/363   |
| D. 291,751 | 9/1987  | Salvato .....    | D6/482   |
| D. 299,896 | 2/1989  | Harrell .....    | D6/574   |

### DESCRIPTION

FIG. 1 is a top and front perspective view of a shelf assembly showing my new design, the broken-line disclosure of a portion of a wall being for illustrative purposes only and forming no part of the claimed design; and

FIG. 2 is a reduced right side elevational view thereof.



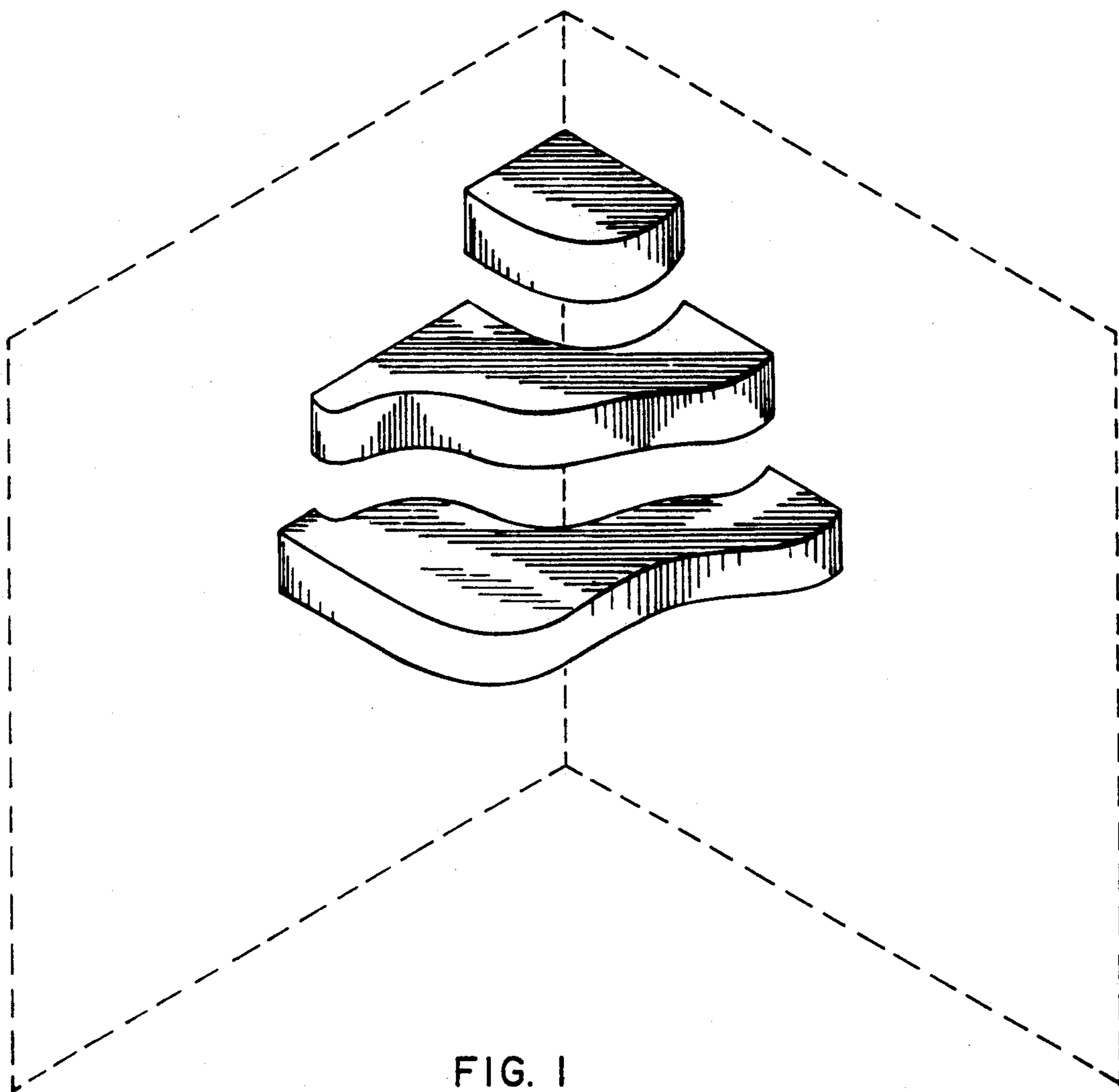


FIG. 1

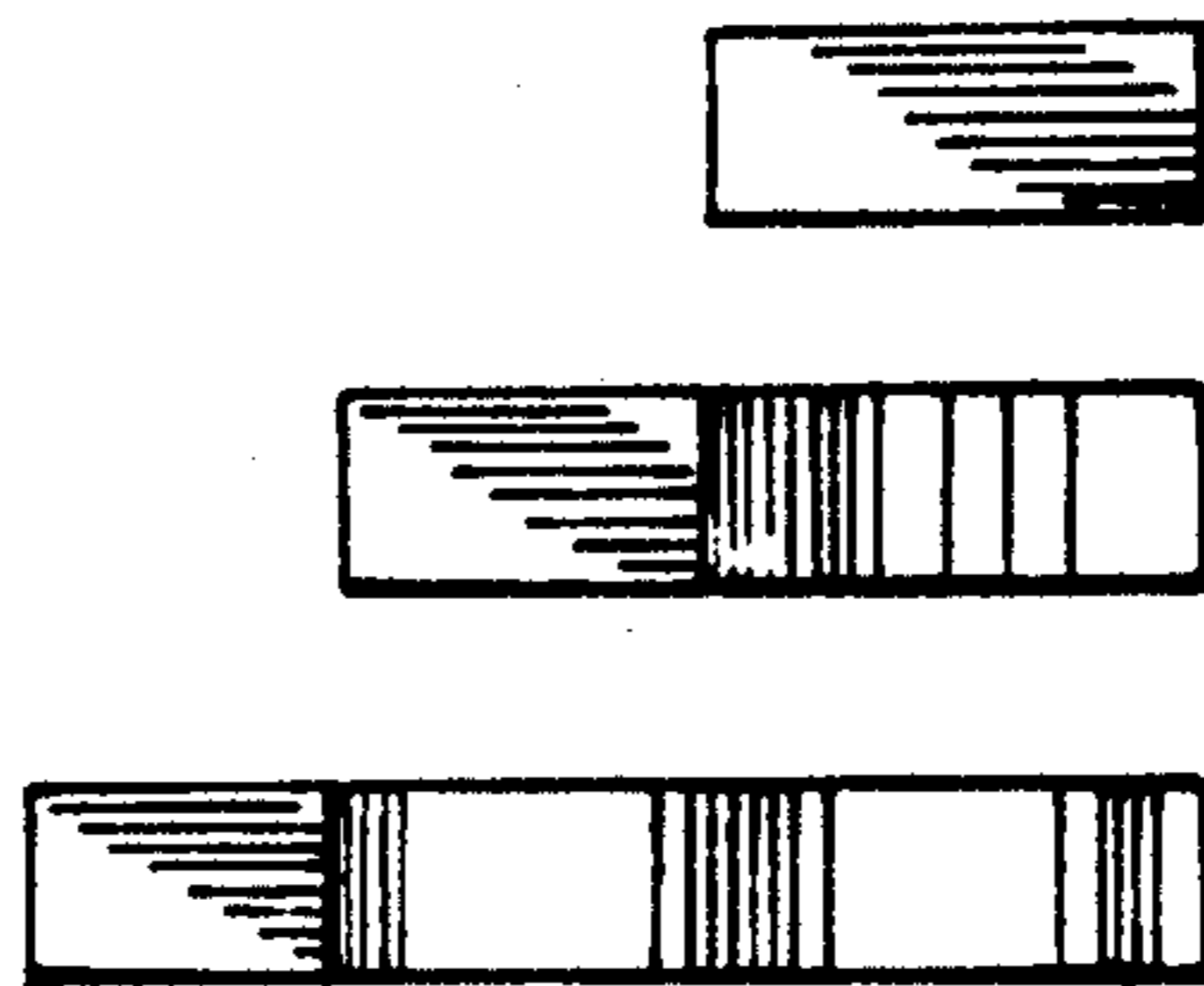


FIG. 2