



US00D332715S

# United States Patent [19]

[11] Patent Number: **Des. 332,715**

Sedighzadeh et al.

[45] Date of Patent: **\*\* Jan. 26, 1993**

[54] **CEILING OR WALL MOUNTED TV MONITOR SUPPORT**

[75] Inventors: **Marty Sedighzadeh**, 11504 W. Berry Pl., Littleton, Colo. 80127; **Robert Bromley**, Boulder, Colo.

[73] Assignee: **Marty Sedighzadeh**, Littleton, Colo.

[\*\*] Term: **14 Years**

[21] Appl. No.: **762,954**

[22] Filed: **Sep. 19, 1991**

[52] U.S. Cl. .... **D6/513**

[58] Field of Search ..... **D14/125, 239; D6/512-513; D8/349, 373; 358/248-249, 254-255; 211/113, 115; 312/245-246, 917, 919, 922; D16/203; 248/317**

[56] **References Cited**

**U.S. PATENT DOCUMENTS**

D. 150,136	7/1948	Hecht .....	D14/239
D. 227,149	6/1973	Deane et al. .	
D. 242,595	12/1976	De Lise et al. .	
D. 248,305	6/1978	Scott .	
D. 255,447	6/1980	Dahlström .....	D14/126
D. 270,677	9/1983	Creske .	
D. 273,012	3/1984	Kozloski .....	D16/203
D. 280,459	9/1985	McClelland .	
D. 282,068	1/1986	Claggett .....	D16/203 X

D. 293,108	12/1987	Brion .....	D14/126
D. 293,843	1/1988	Kroll et al. .	
D. 314,483	2/1991	Zimprich et al. ....	D6/513
D. 320,028	9/1991	Sedighzadeh et al. ....	D16/203
3,574,340	4/1971	Busche .	
3,981,340	9/1976	Anderson et al. .	
4,959,645	9/1990	Balz .	
4,964,606	10/1990	Beam et al. .	
4,993,676	2/1991	Fitts et al. ....	312/245 X
5,064,161	11/1991	Anderson .....	248/317

**FOREIGN PATENT DOCUMENTS**

2528955A1	1/1977	Fed. Rep. of Germany .
3639863A1	6/1988	Fed. Rep. of Germany .

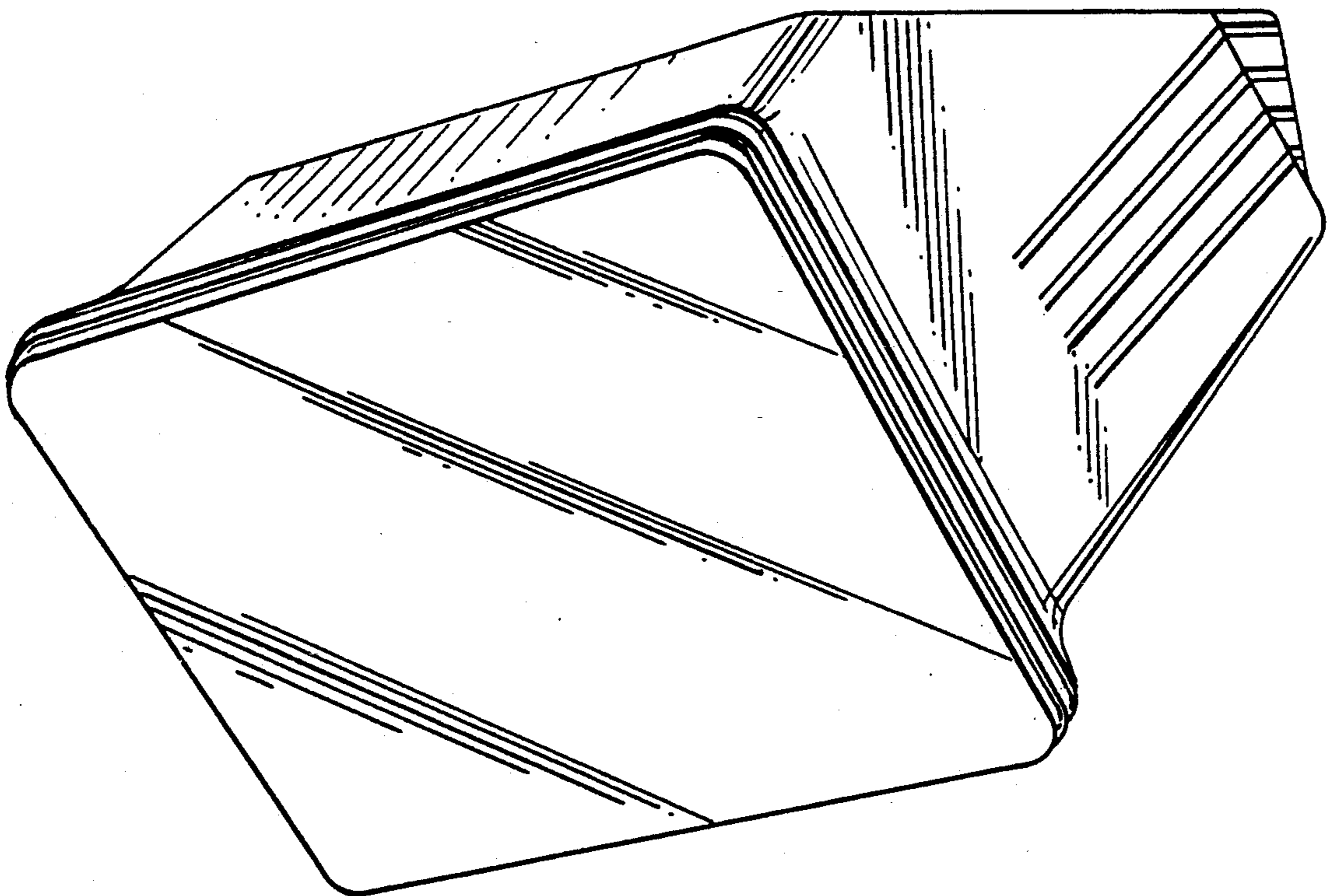
*Primary Examiner*—Brian N. Vinson  
*Attorney, Agent, or Firm*—Gary M. Polumbus

[57] **CLAIM**

The ornamental design for a ceiling or wall-mounted TV monitor support, as shown and described.

**DESCRIPTION**

FIG. 1 is a bottom, front, and right side perspective view of a ceiling or wall-mounted TV monitor support showing our new design; FIG. 2 is a reduced rear elevational view thereof; FIG. 3 is a reduced right side elevational view thereof, the left side being a mirror image of that shown; FIG. 4 is a reduced bottom plan view thereof; and, FIG. 5 is a reduced front elevational view thereof.



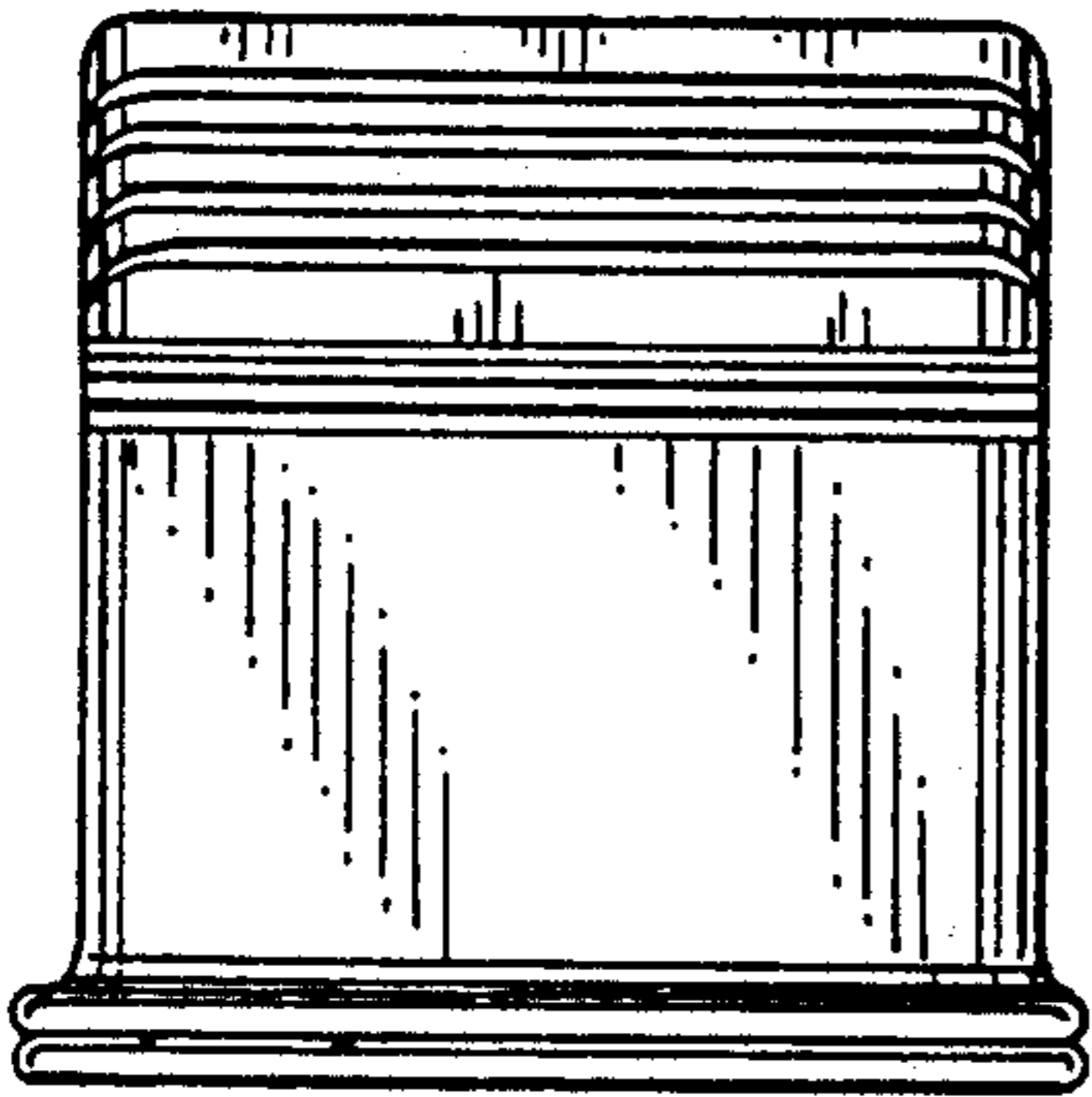


FIG. 2

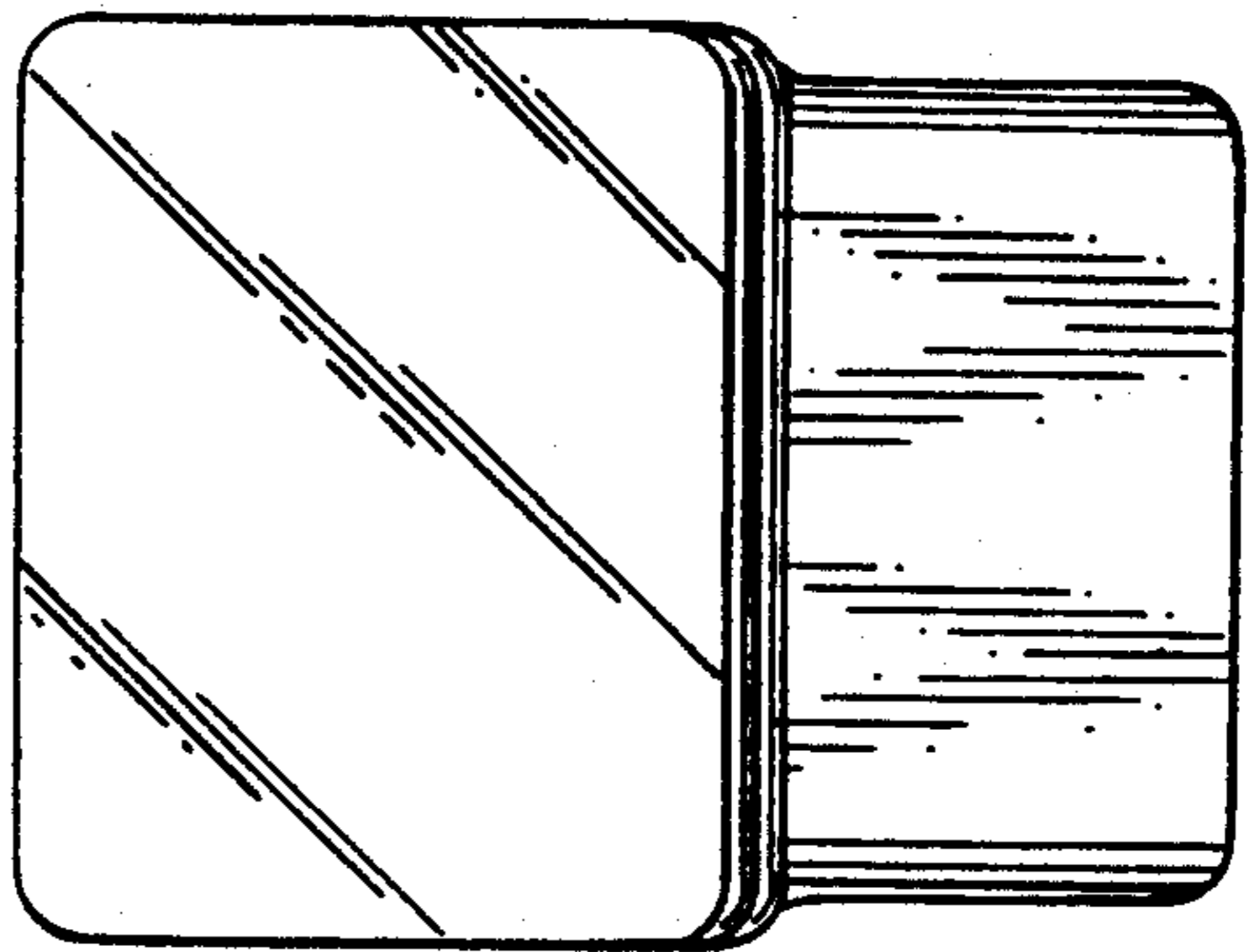


FIG. 4

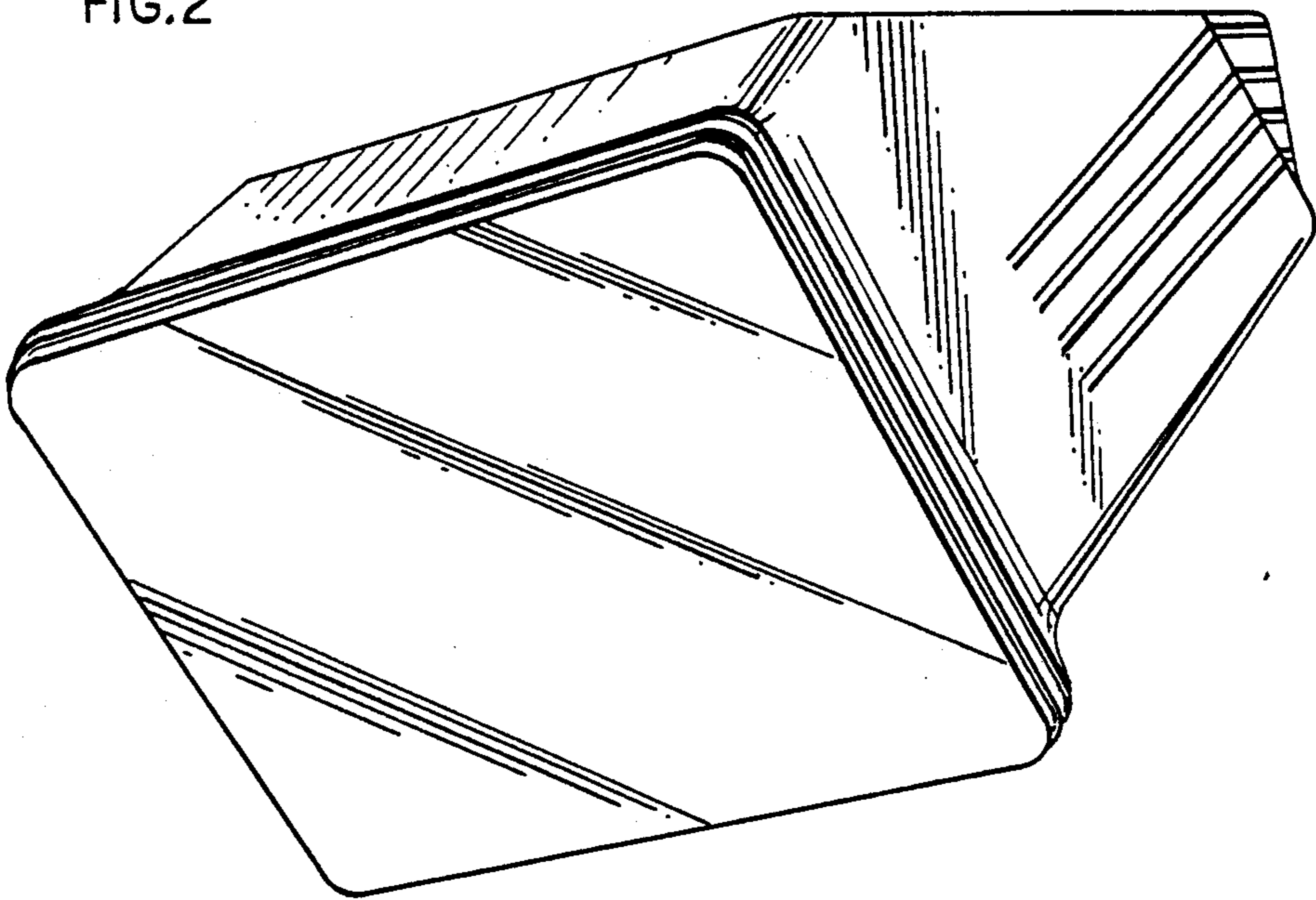


FIG. 1

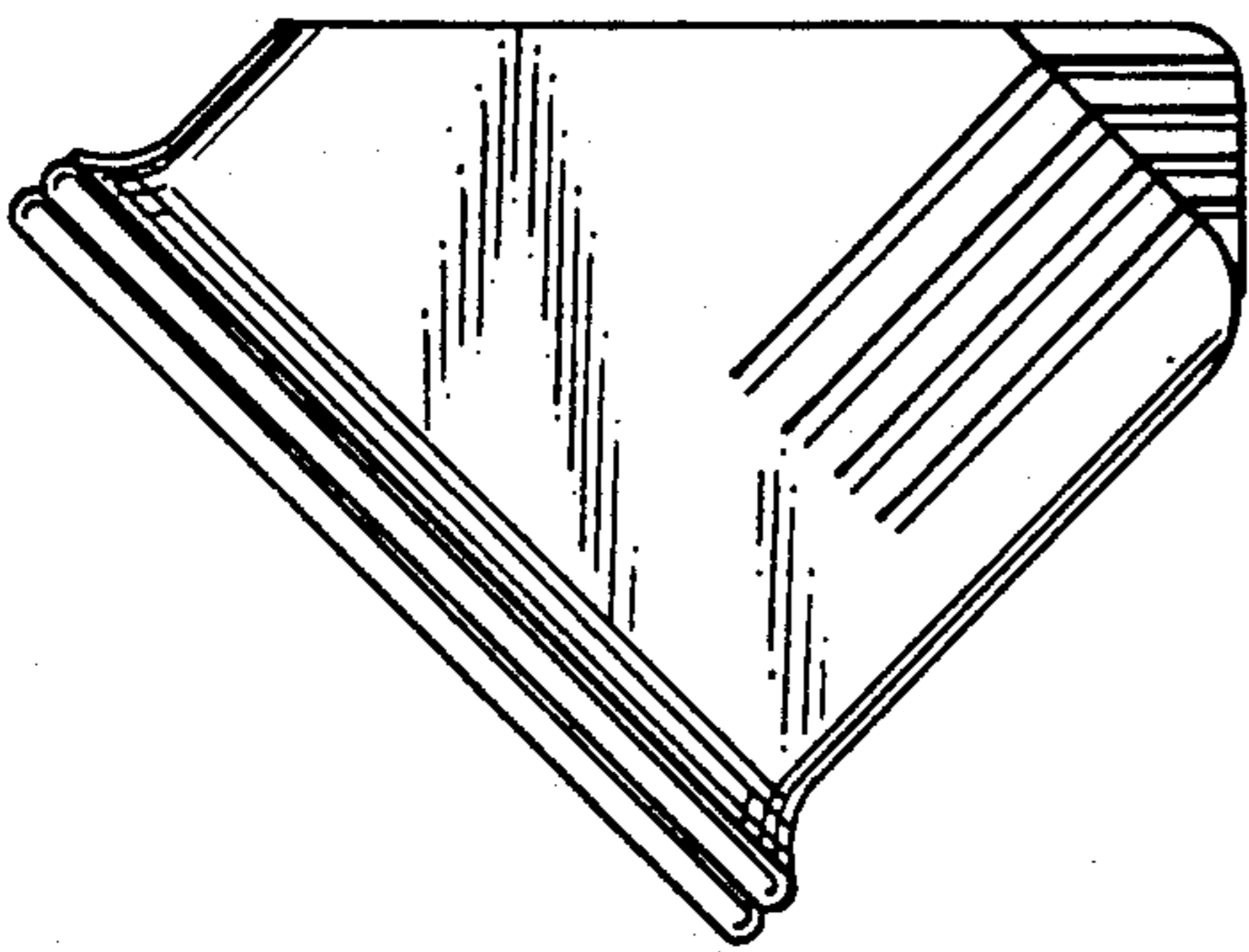


FIG 3

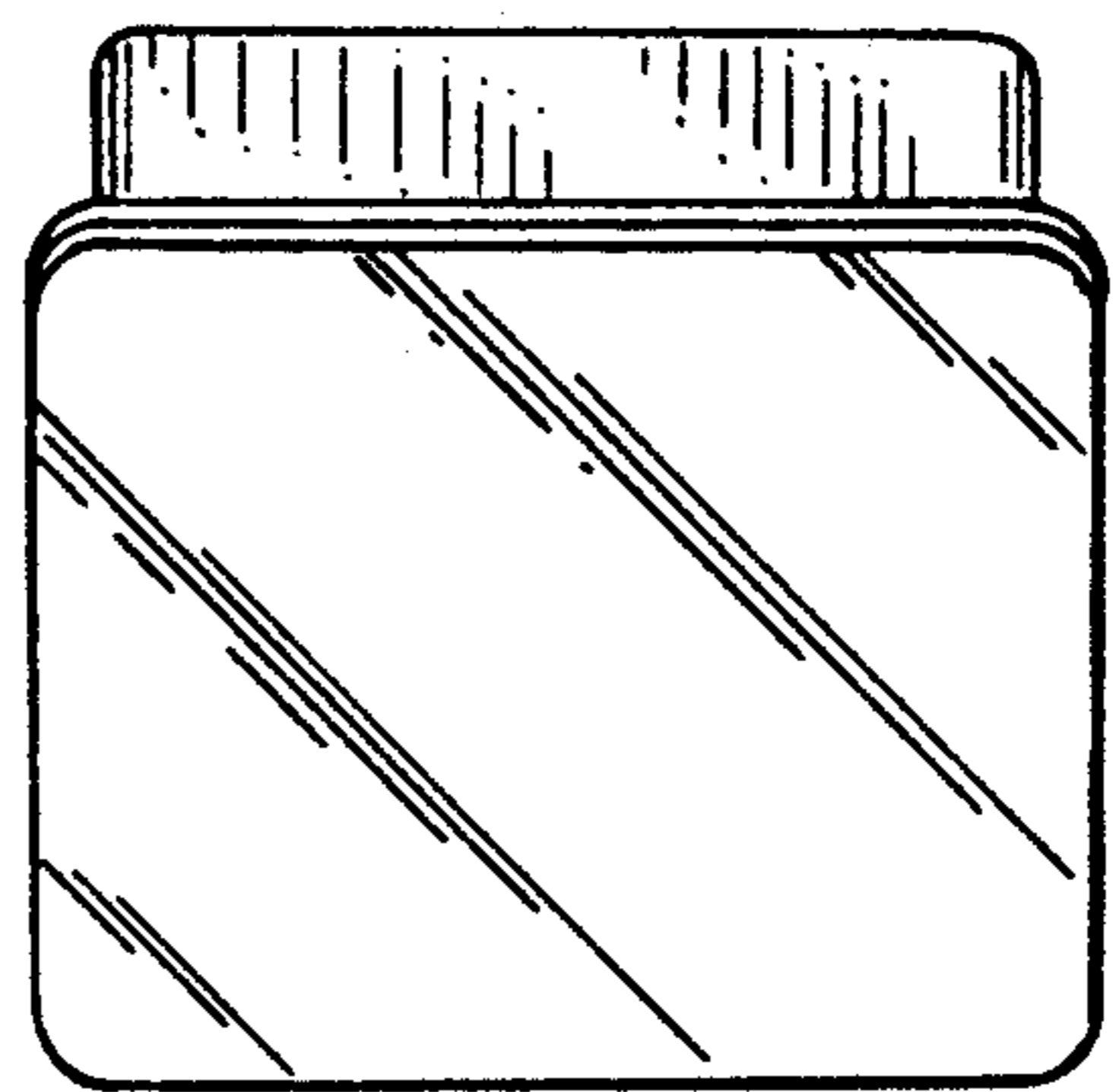


FIG. 5