



US00D332712S

United States Patent [19]

[11] Patent Number: **Des. 332,712**

Schaen

[45] Date of Patent: **** Jan. 26, 1993**

[54] **ADJUSTABLE TABLE BASE**

3,185,423 5/1965 Jones III D6/480 X
3,339,873 9/1967 Hale 108/147 X
4,805,542 2/1989 Peterson et al. 108/150

[75] Inventor: **Jan H. Schaen**, 18154 Sweet Elm Dr., Lake Encino, Calif. 91316

Primary Examiner—Nelson C. Holtje
Assistant Examiner—Janice E. Seeger
Attorney, Agent, or Firm—Timothy T. Tyson

[73] Assignee: **Jan H. Schaen**, Encino, Calif.

[**] Term: **14 Years**

[57] **CLAIM**

[21] Appl. No.: **472,481**

The ornamental design for an adjustable table base, as shown and described.

[22] Filed: **Jan. 30, 1990**

[52] U.S. Cl. **D6/496; D6/498**

DESCRIPTION

[58] Field of Search D6/480, 482-489, D6/495, 496, 498, 499, 429, 397, 511; 108/50, 33, 139, 150, 147, 127; D21/232

FIG. 1 is a top plan view of an adjustable table base showing my new design;
FIG. 2 is a left side elevational view thereof;
FIG. 3 is a front elevational view thereof;
FIG. 4 is a right side elevational view showing the top in a raised position;
FIG. 5 is a bottom plan view thereof; and,
FIG. 6 is a perspective view from the top front left side.

[56] **References Cited**

U.S. PATENT DOCUMENTS

D. 172,258 5/1954 Villaudy D6/486 X
3,153,524 10/1964 Greenfield et al. 108/150 X

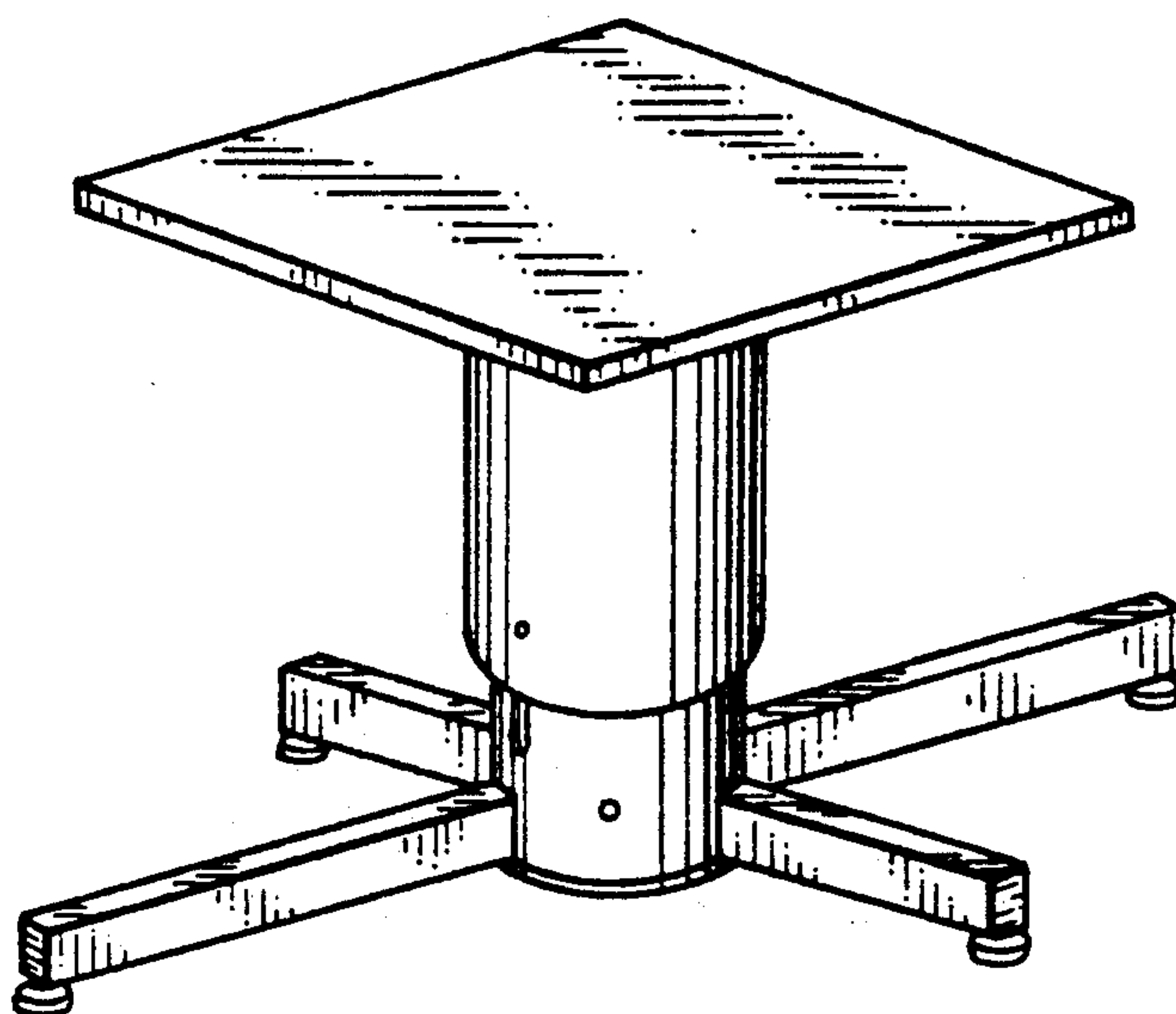


FIG. 1

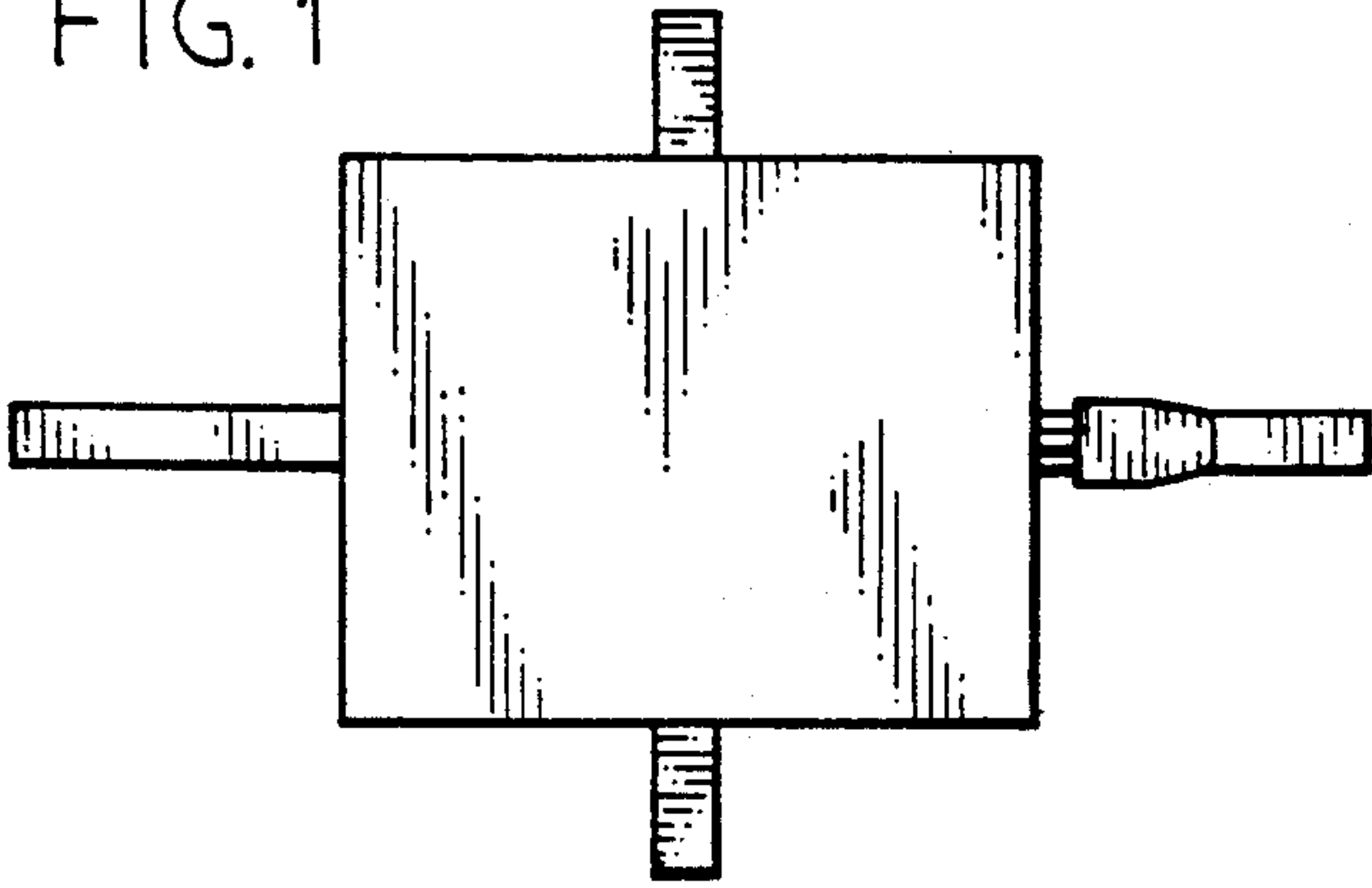


FIG. 2

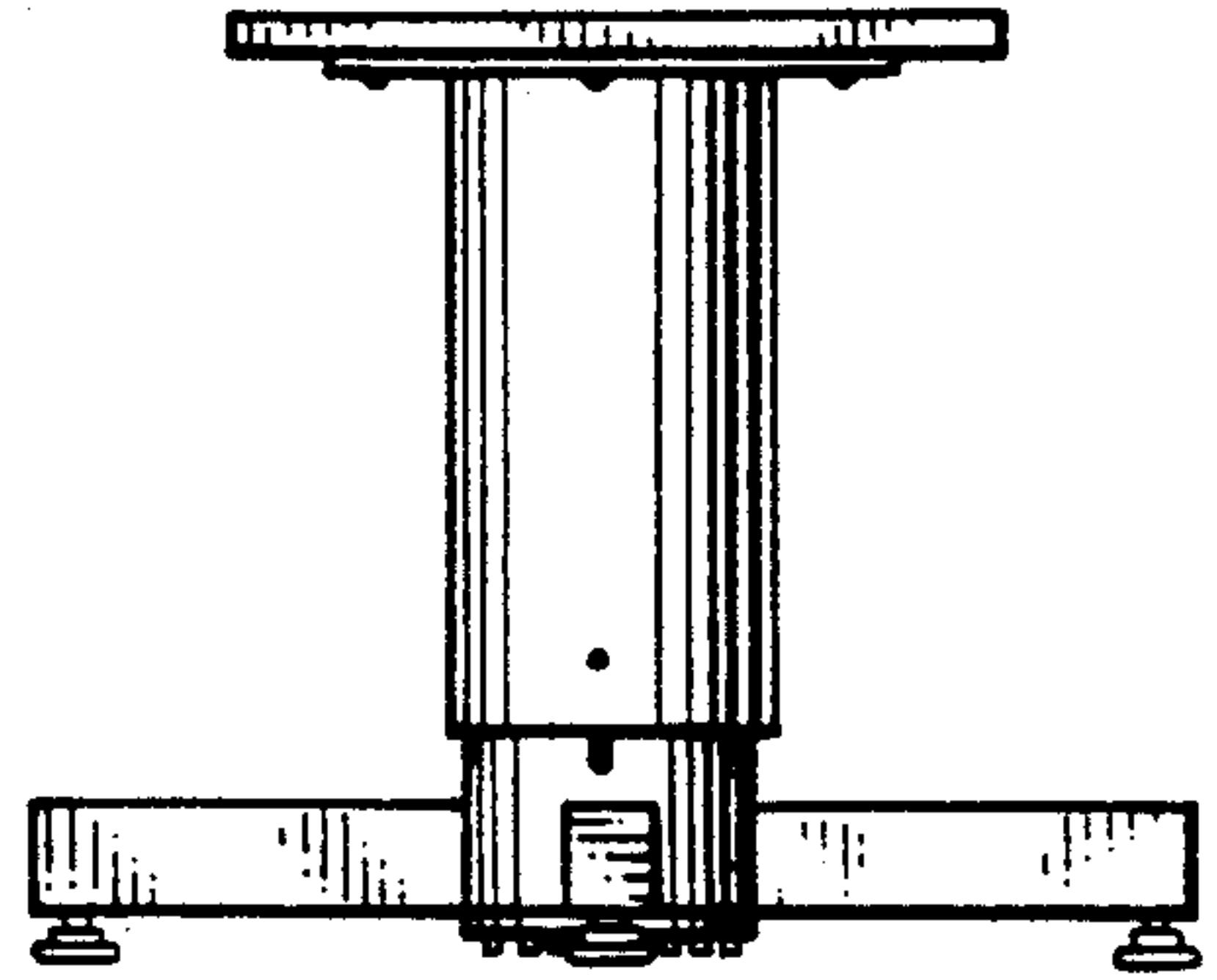


FIG. 3

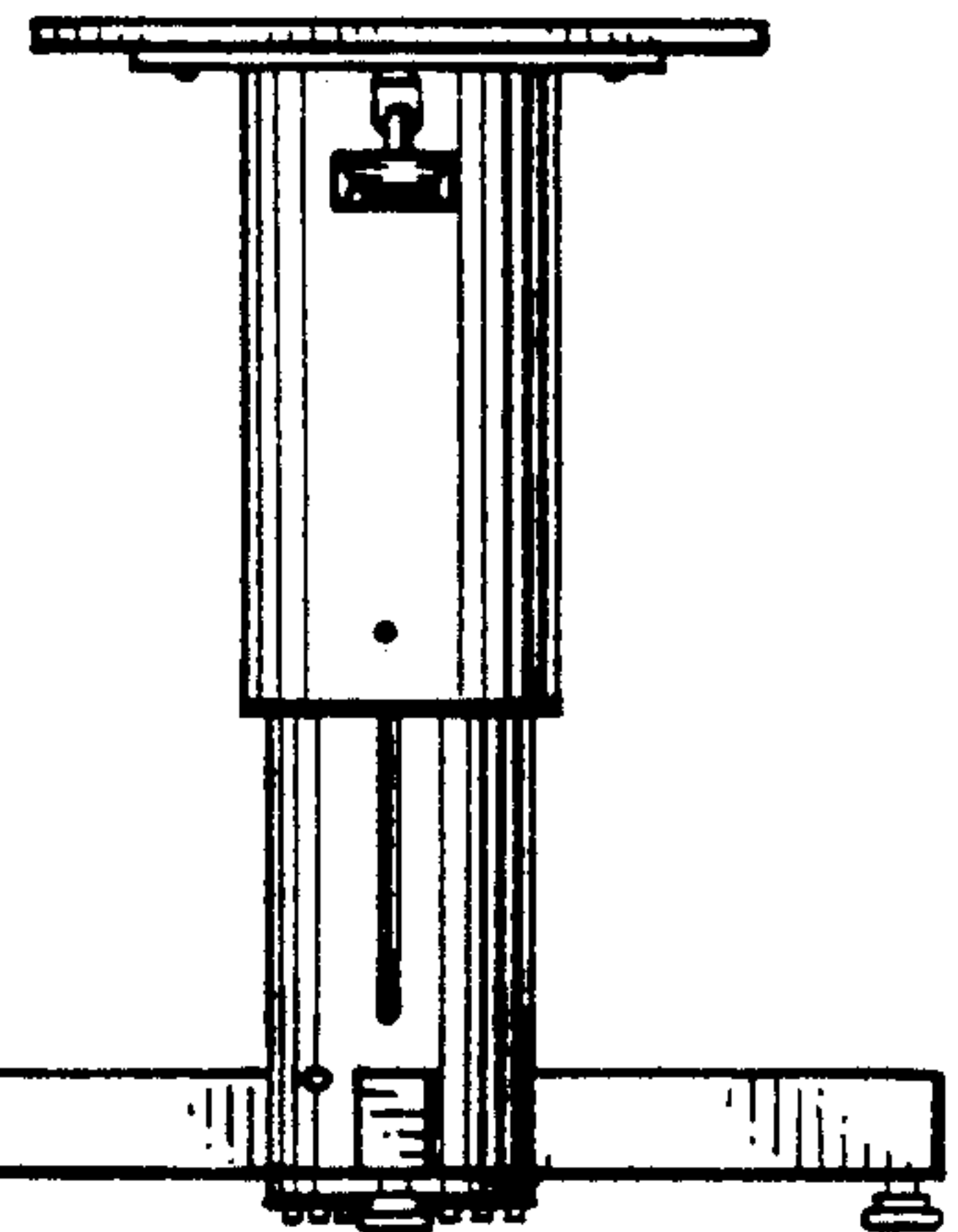
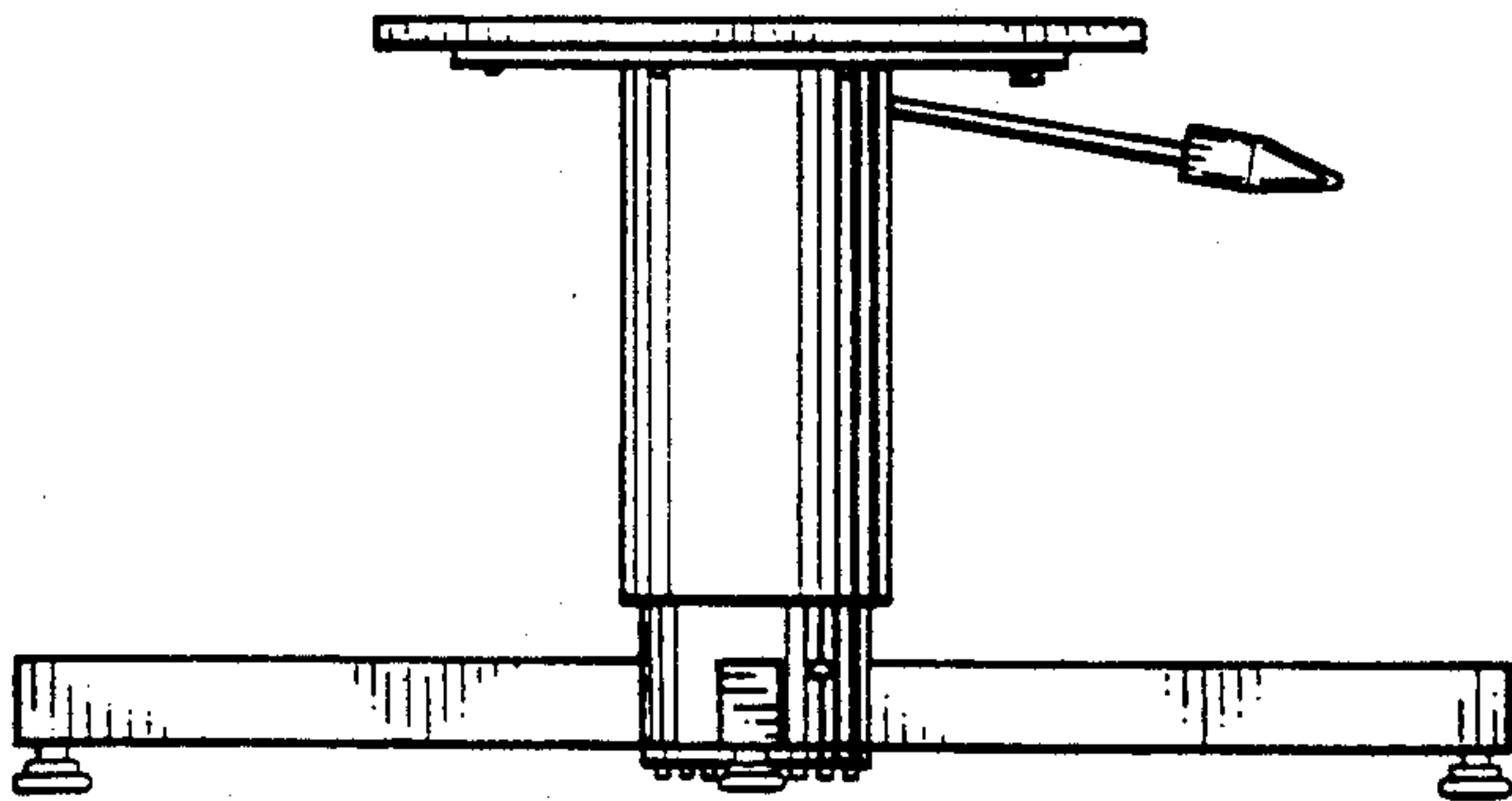


FIG. 4

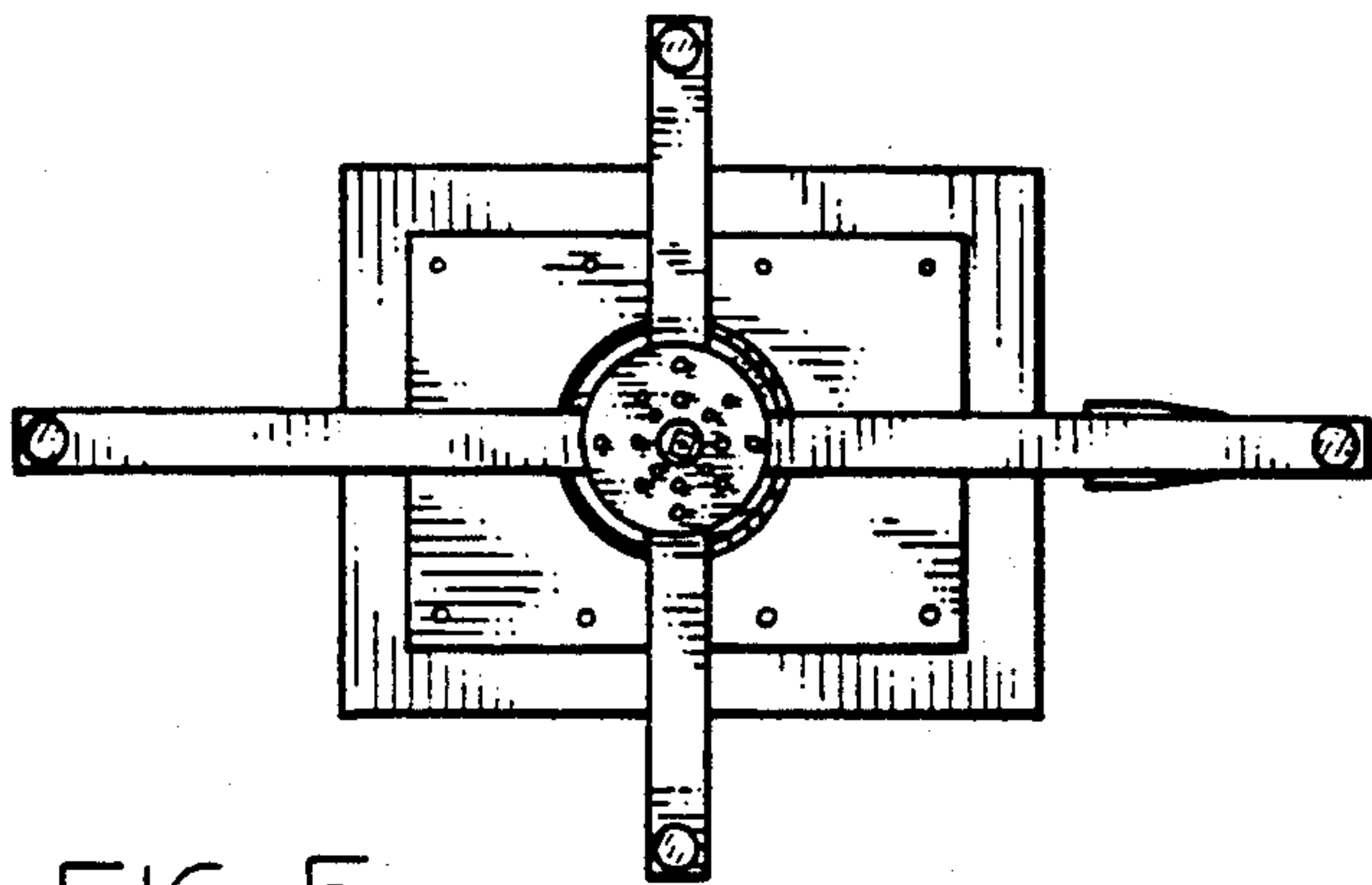


FIG. 5

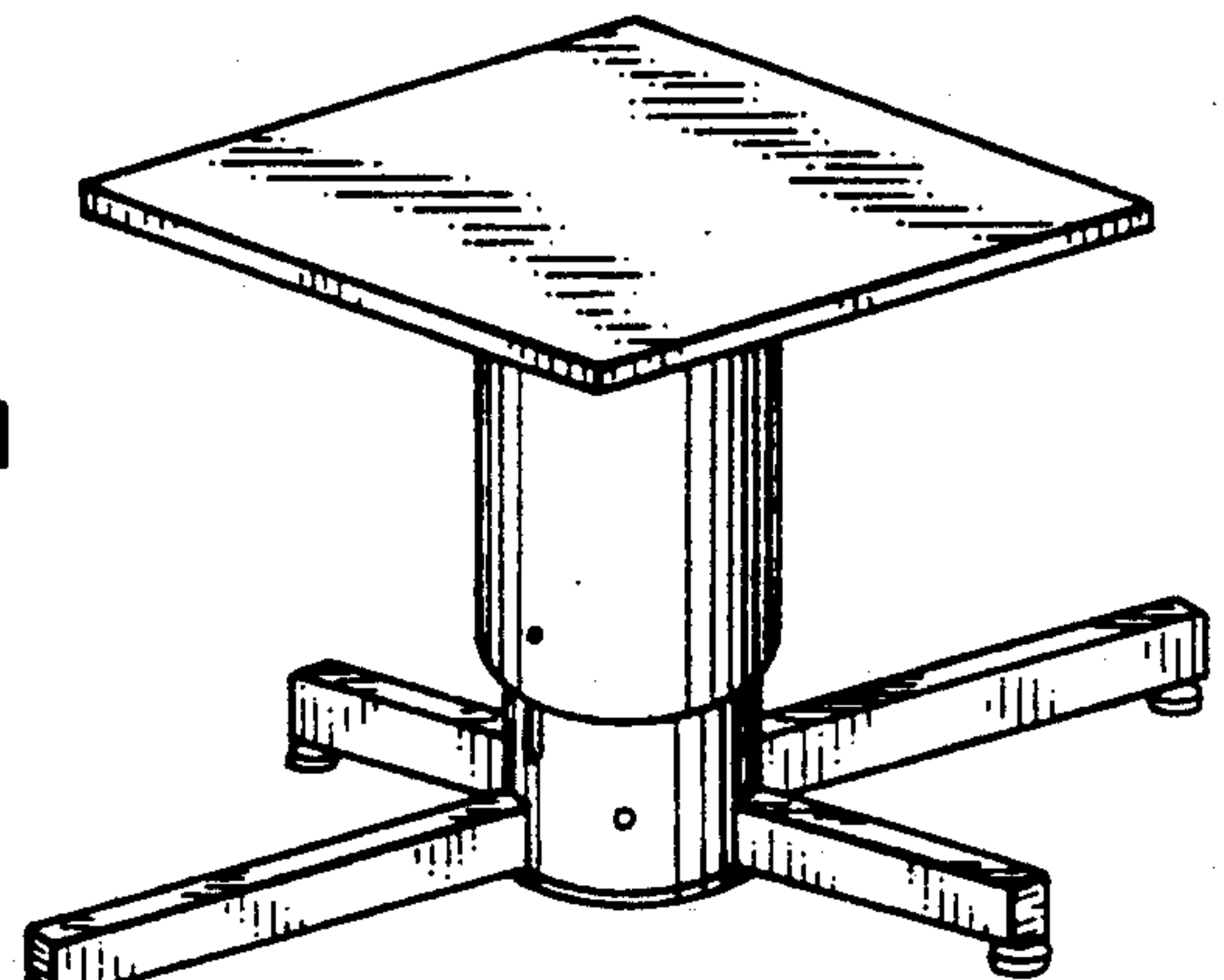


FIG. 6