



US00D332711S

United States Patent [19]

[11] Patent Number: **Des. 332,711**

Olson

[45] Date of Patent: **** Jan. 26, 1993**

[54] **SUPPORT PLATFORM FOR COMPACT DISC AND TAPE PLAYERS**

D. 286,121 10/1986 Wolff D6/553
D. 318,672 7/1991 Derain D14/224
1,289,193 12/1918 Kline D9/456

[76] Inventor: **Norman J. Olson, 934 Baileyana Rd., Hillsborough, Calif. 94010**

Primary Examiner—Nelson C. Holtje
Assistant Examiner—Jeffrey Asch
Attorney, Agent, or Firm—Owen, Wickersham & Erickson

[**] Term: **14 Years**

[21] Appl. No.: **577,596**

[22] Filed: **Sep. 4, 1990**

[52] U.S. Cl. **D6/449; D6/480**

[58] Field of Search **D6/396, 397, 449, 455, D6/462, 477, 475, 476, 480, 478, 509-511, 553; D34/38; D14/135, 136, 156, 224, 221; D9/456; 211/13; 248/346**

[57] **CLAIM**

The ornamental design for support platform for compact disc and tape players, as shown and described.

DESCRIPTION

FIG. 1 is a perspective view of a support platform for compact disc and tape players embodying my new design;

FIG. 2 is a front elevational view, the rear being a mirror image thereof;

FIG. 3 is a right side elevational view, the left side being a mirror image thereof;

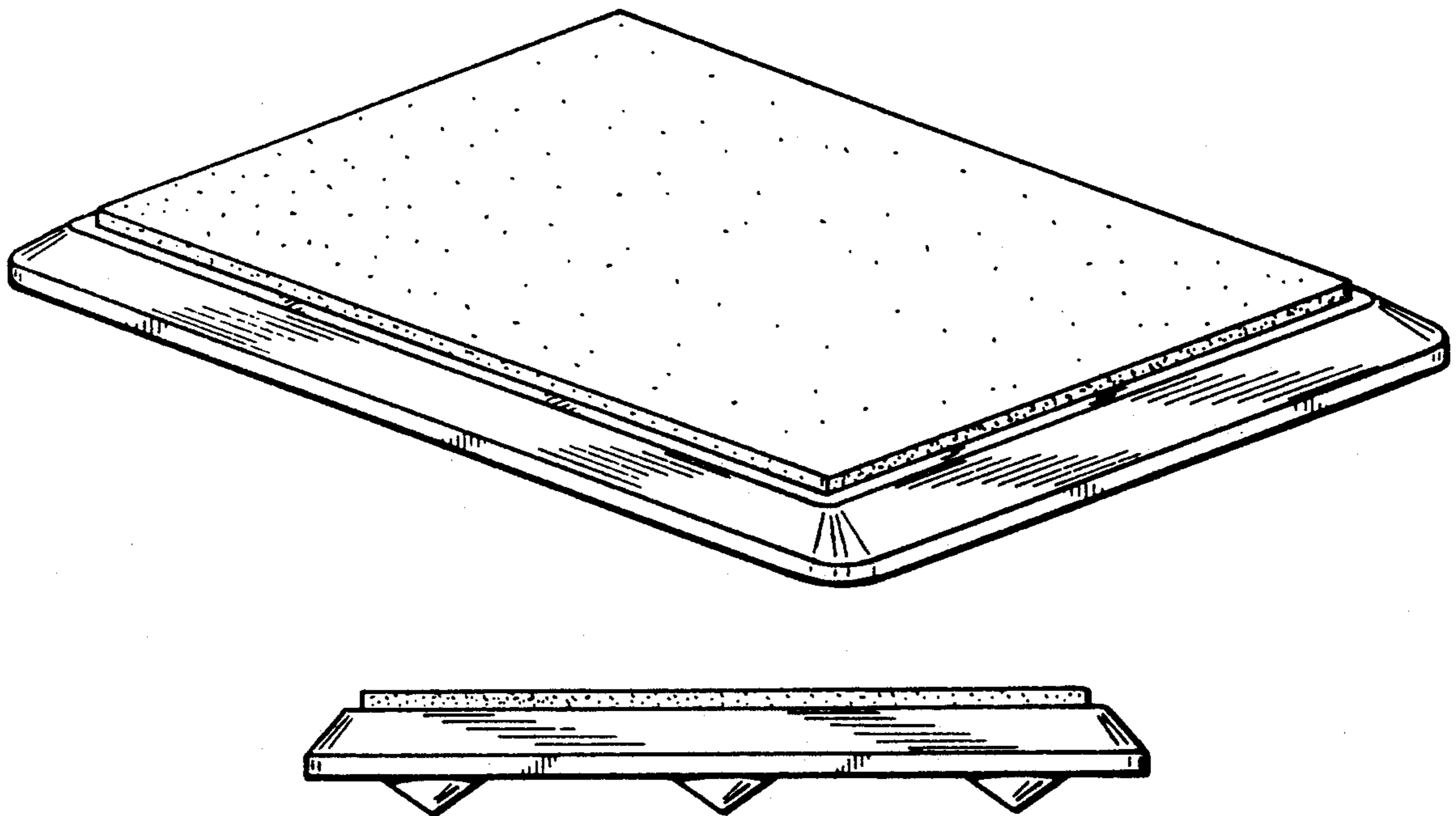
FIG. 4 is a top plan view thereof; and,

FIG. 5 is a bottom plan view thereof.

[56] **References Cited**

U.S. PATENT DOCUMENTS

- D. 135,512 4/1943 Weissman D6/397
- D. 239,682 4/1976 Farmer D6/553
- D. 267,513 1/1983 Weigel et al. D6/478 X
- D. 278,204 4/1985 Guerra, Jr. D6/455 X
- D. 283,382 4/1986 Goldsmith D6/511



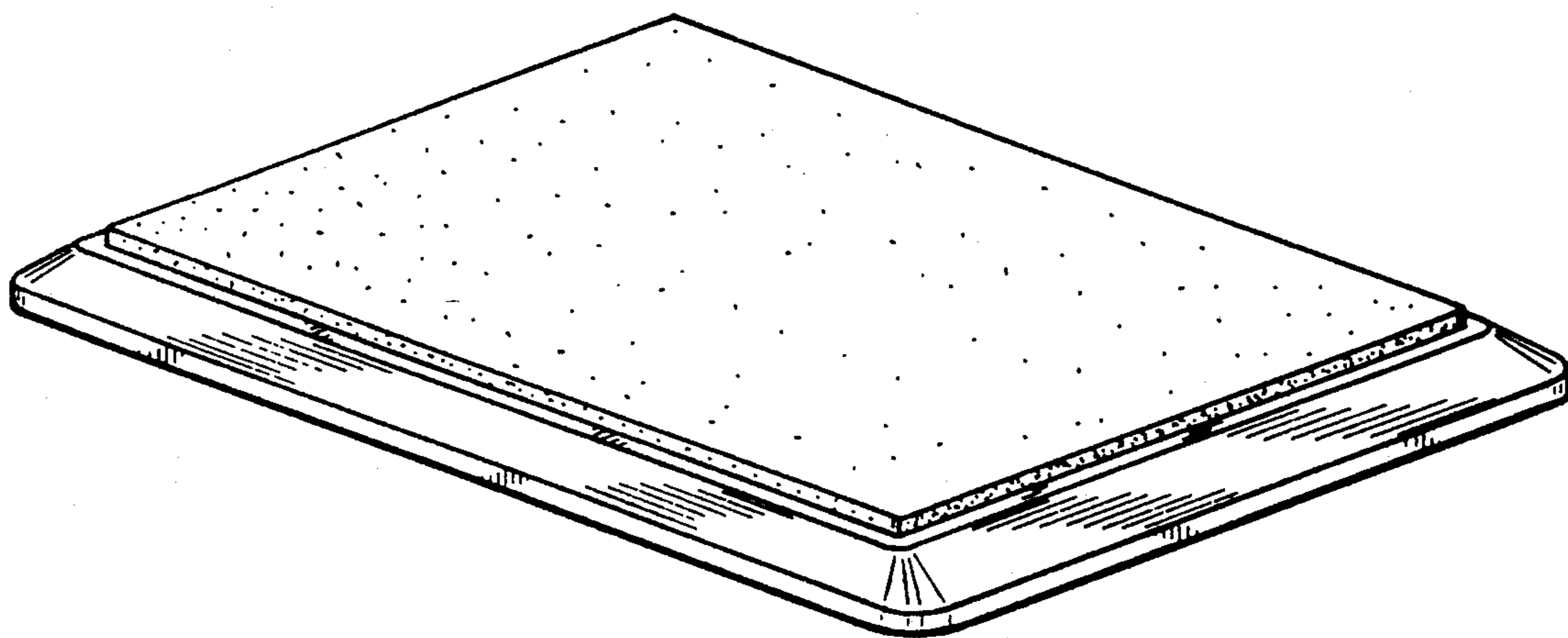


FIG. 1



FIG. 2

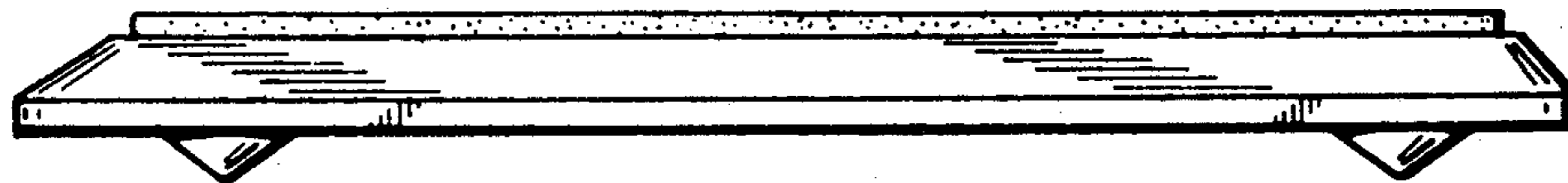


FIG. 3

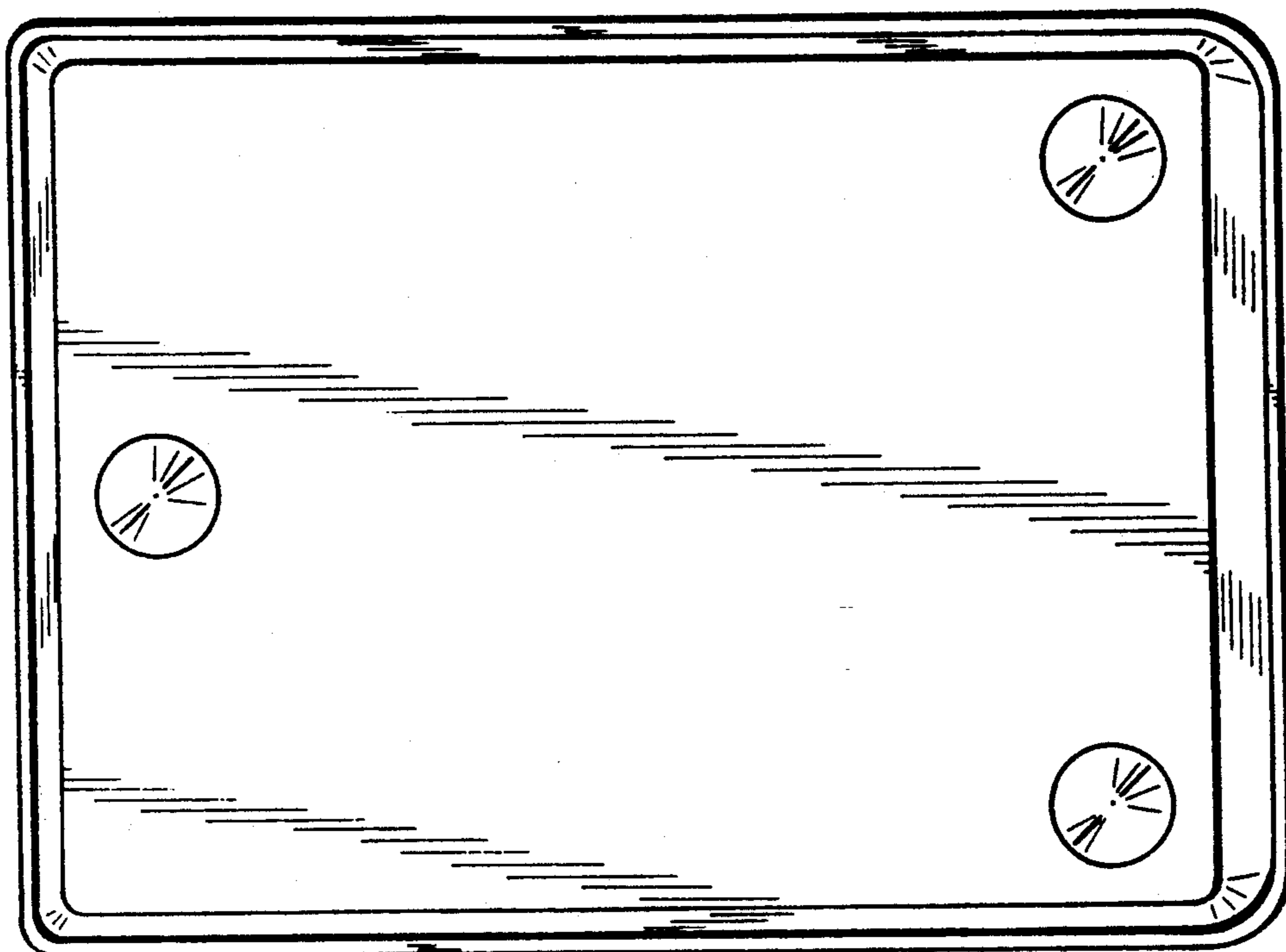


FIG.-5

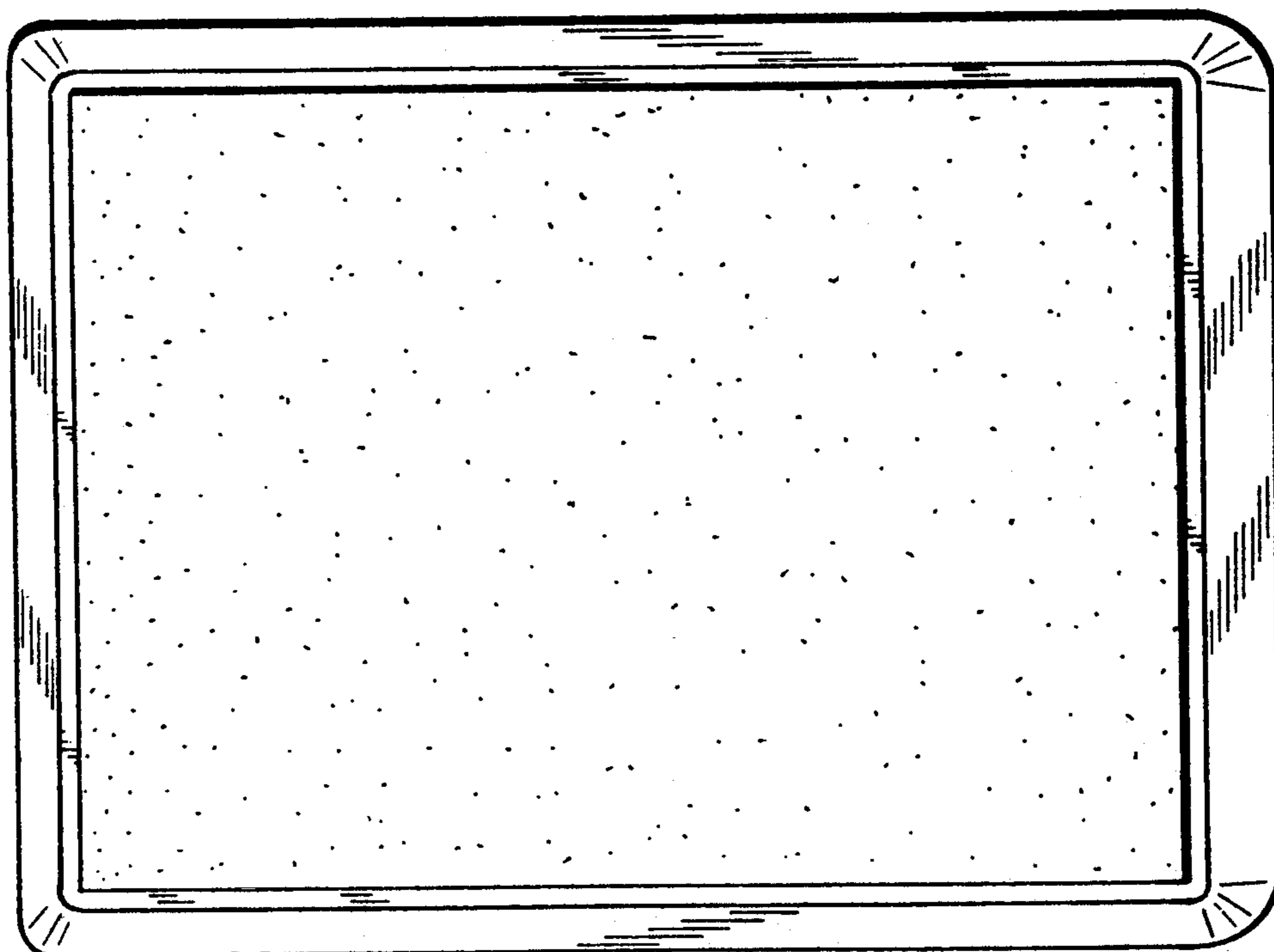


FIG.-4