



US00D332709S

United States Patent [19]

[11] Patent Number: Des. 332,709

Dayan

[45] Date of Patent: ** Jan. 26, 1993

[54] DISPLAY RACK

[76] Inventor: Charles Dayan, 1411 Broadway, New York, N.Y. 10018

[**] Term: 14 Years

[21] Appl. No.: 513,194

[22] Filed: Apr. 23, 1990

[52] U.S. Cl. D6/415

[58] Field of Search D6/397, 411-415, D6/462, 455, 460, 461; 211/13

[56] References Cited

U.S. PATENT DOCUMENTS

D. 225,703	1/1973	Miller, Jr.	D6/415
D. 296,163	6/1988	Curio	D6/415
D. 312,737	12/1990	Glassenberg	D6/415

OTHER PUBLICATIONS

Armstrong Store Fixture Corp.—The Wire Display System; four panel display on front cover #4 center left.
Econoco Corp. Grid Innovations, p. 7; Freestanding Grid Fixture, Fig. 7 on page (Innovations '87 Box).
Progressive Architecture —Annual Info. Sources, Mid Oct. 1988, p. 98; Modular Garment Display on top of page.

Primary Examiner—Carmen H. Vales-Lado
Attorney, Agent, or Firm—Ezra Sutton

[57] CLAIM

The ornamental design for a display rack, as shown and described.

DESCRIPTION

FIG. 1 is a perspective view of a display rack showing my new design;
FIG. 2 is a side elevational view thereof;
FIG. 3 is a top plan view thereof;
FIG. 4 is a perspective view of a modified embodiment of the display rack shown in FIG. 1; and,
FIG. 5 is a top plan view thereof.

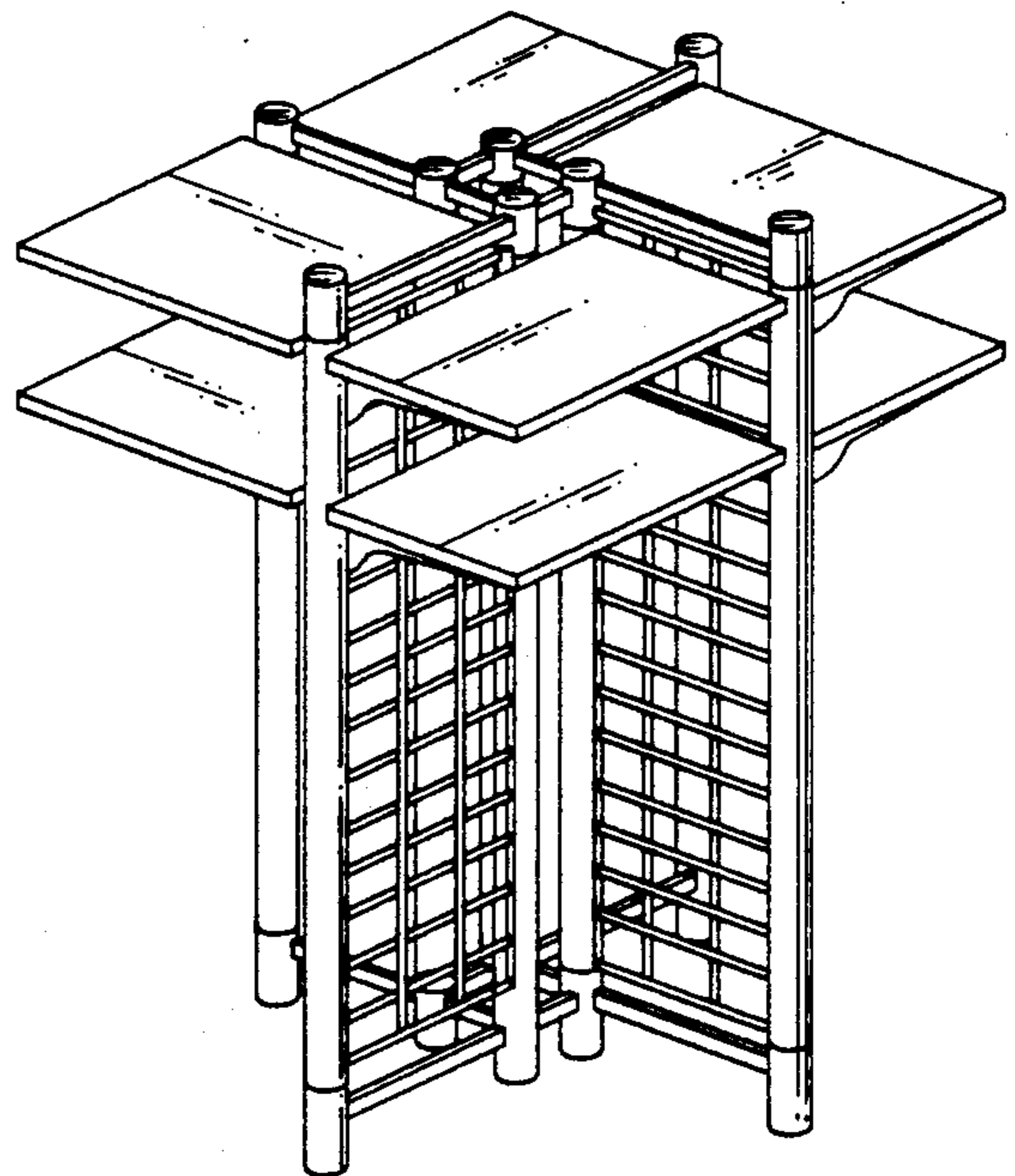
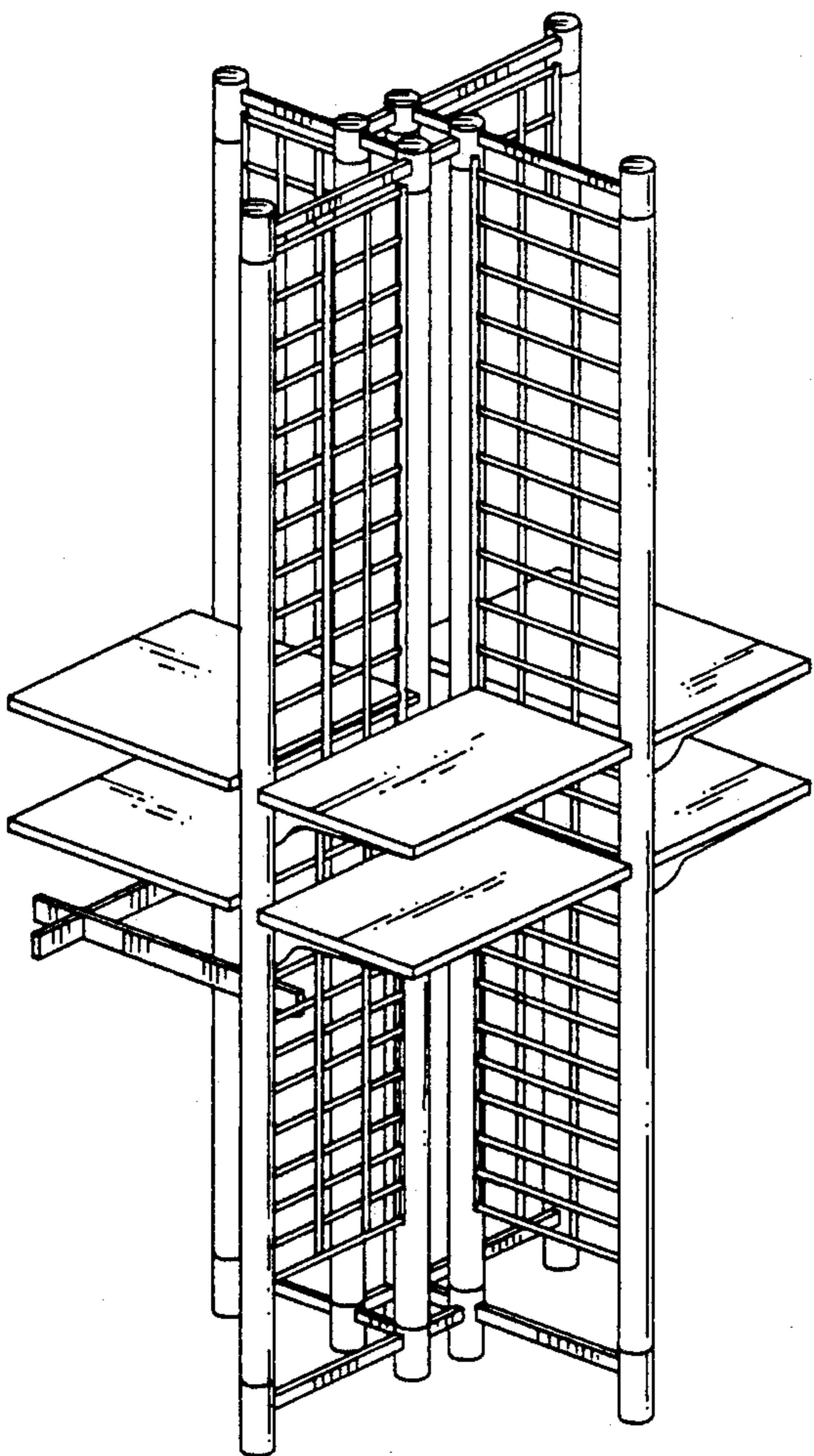


FIG. 1

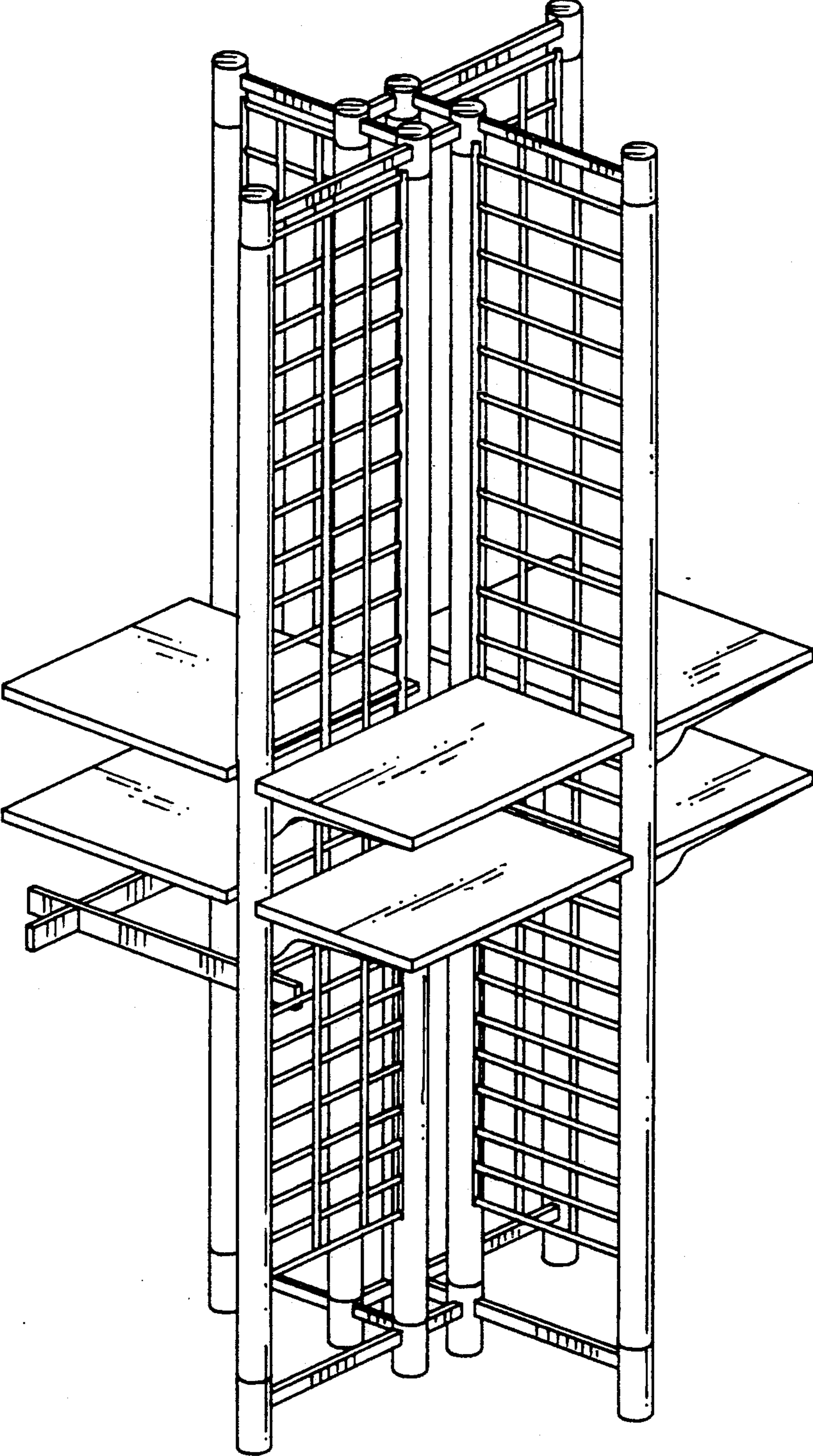


FIG. 2

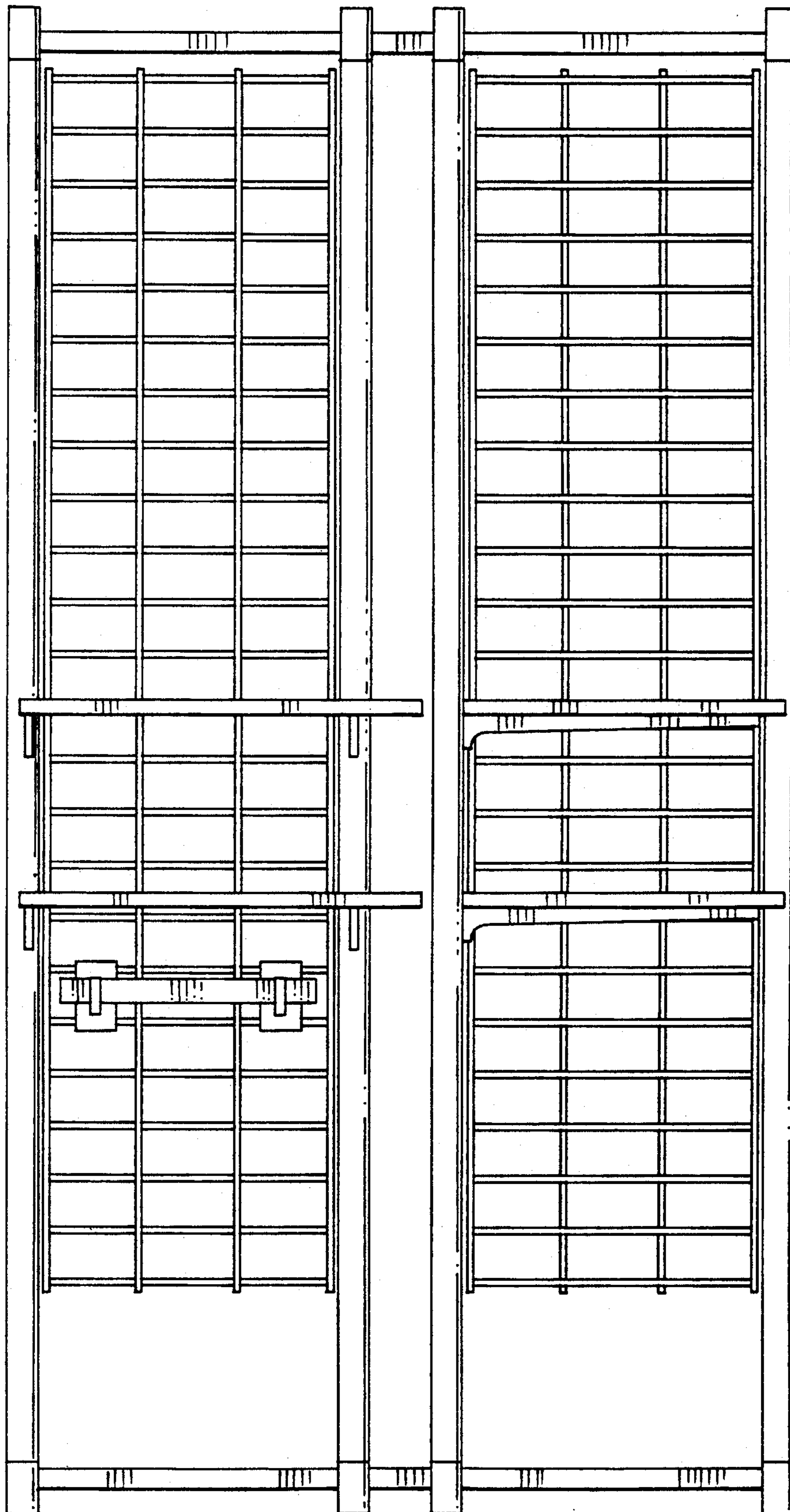


FIG. 3

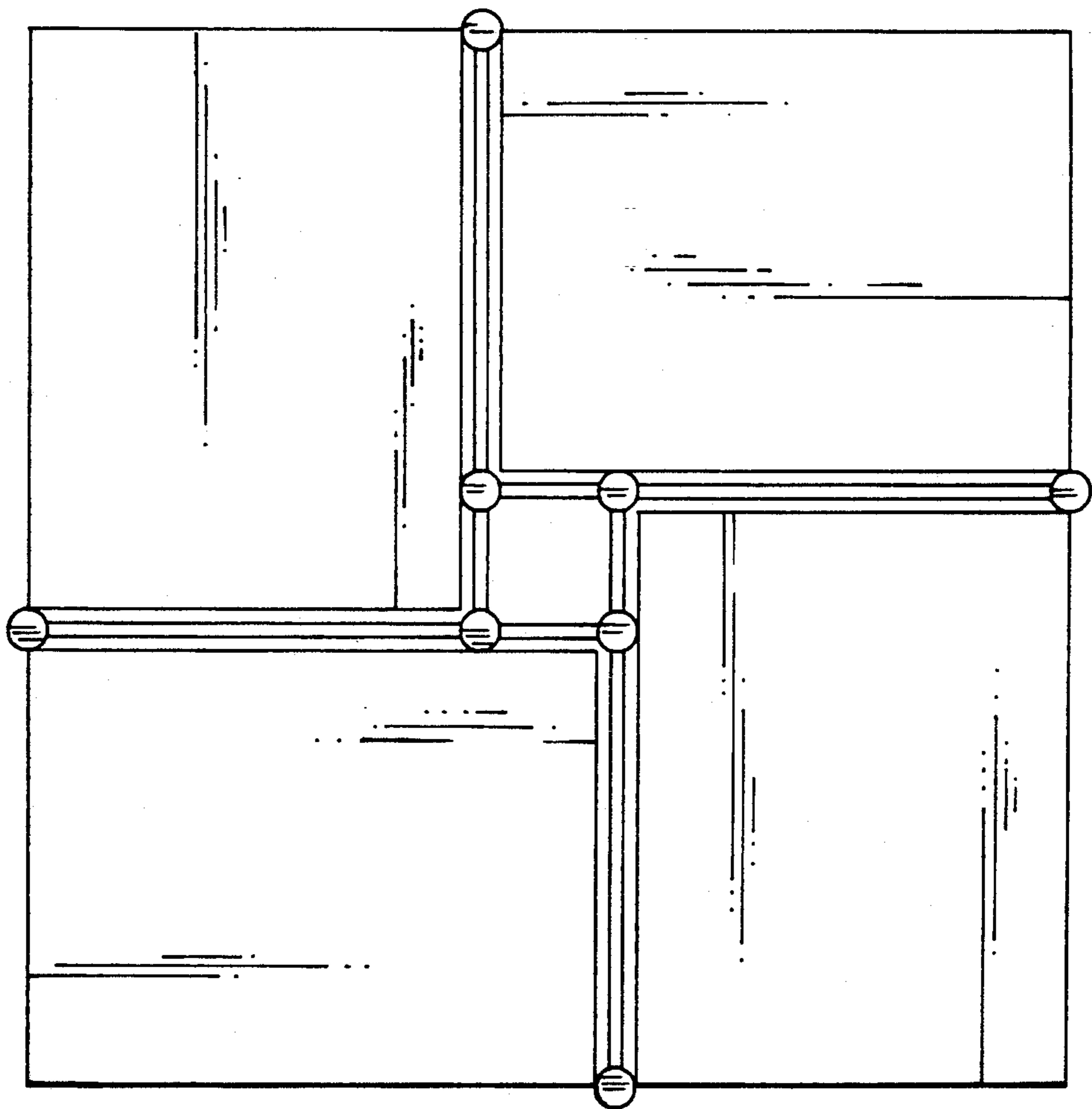


FIG. 4

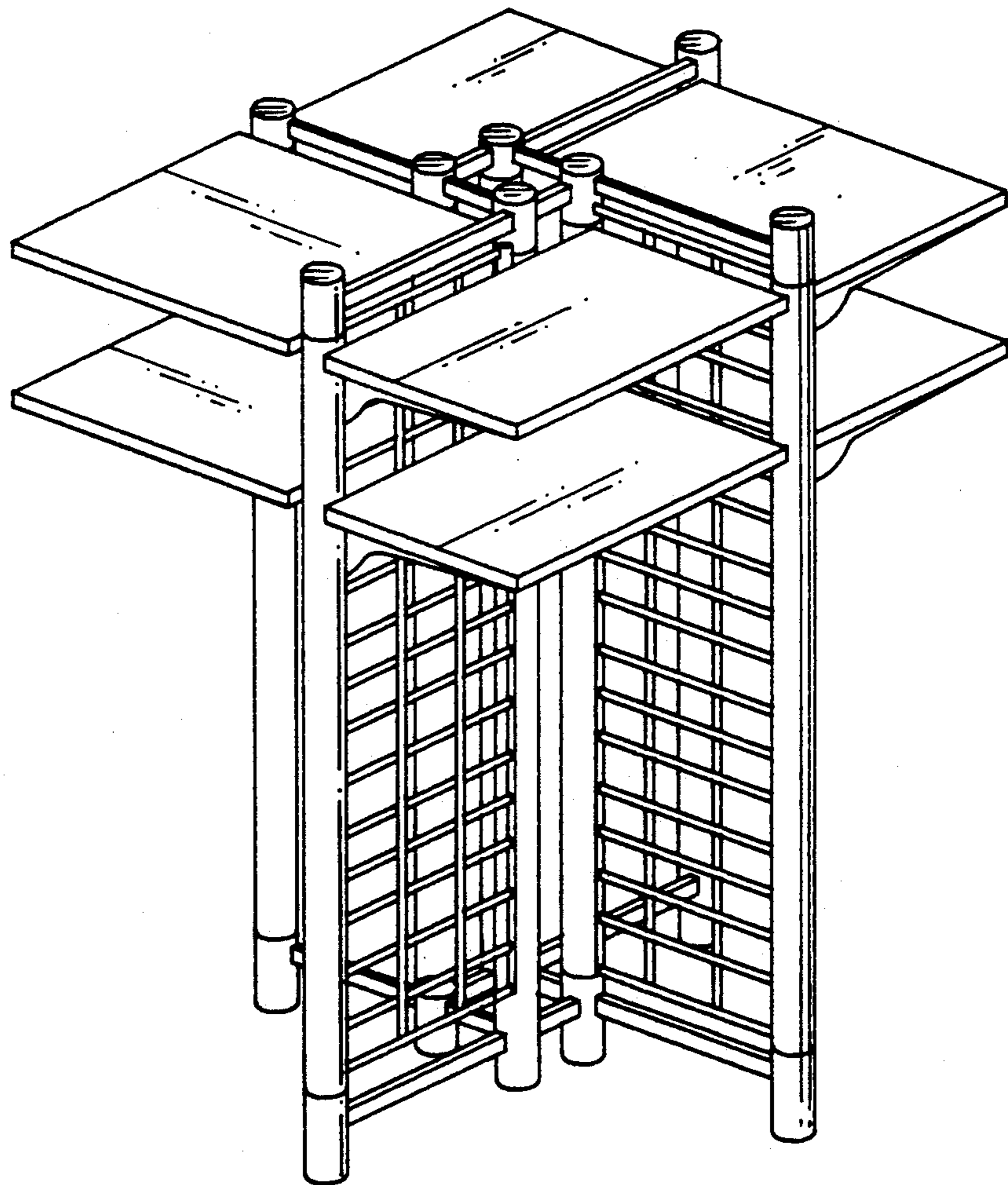


FIG. 5

