



US00D332706S

United States Patent [19]

[11] Patent Number: **Des. 332,706**

Douglas

[45] Date of Patent: **** Jan. 26, 1993**

[54] **COLLAPSIBLE LOUNGE CHAIR**

[76] Inventor: **William G. Douglas, 1072 C North Dr., Delray Beach, Fla. 33445**

[**] Term: **14 Years**

[21] Appl. No.: **432,966**

[22] Filed: **Nov. 7, 1989**

[52] U.S. Cl. **D6/368; D6/360; D6/367; D6/379**

[58] Field of Search **D6/334, 335, 344, 360, D6/361, 370, 367-368, 371, 379, 500, 501, 502; 297/16, 19, 24, 25, 26, 27, 28, 30, 37, 40**

[56] **References Cited**

U.S. PATENT DOCUMENTS

| | | | |
|------------|---------|-----------------------|----------|
| D. 90,495 | 8/1933 | McChesney et al. | D6/379 |
| D. 213,365 | 2/1969 | Crawford | D6/360 |
| D. 222,832 | 1/1972 | Lax | D6/344 |
| D. 286,762 | 11/1986 | Britz | D6/379 X |
| D. 296,625 | 7/1988 | Mulhauser | D6/361 X |
| D. 299,190 | 1/1989 | Mulhauser | D6/361 X |

Primary Examiner—Carmen H. Vales-Lado

Assistant Examiner—Gary D. Watson

Attorney, Agent, or Firm—Dennis H. Lambert

[57] **CLAIM**

The ornamental design for a collapsible lounge chair, as shown and described.

DESCRIPTION

FIG. 1 is a right side elevational view of a collapsible lounge chair showing my new design;

FIG. 2 is a front elevational view;

FIG. 3 is a top plan view;

FIG. 4 is a rear elevational view;

FIG. 5 is a right side elevational view showing the chair in an alternate position;

FIG. 6 is a right side perspective view showing the chair in an alternate position with the cushions removed for ease of illustration;

FIG. 7 is a right side perspective view showing the chair in another alternate position with the cushions removed for ease of illustration;

FIG. 8 is a right-front perspective view showing the backrest in folded condition, the armrest in exploded condition and the cushions removed for ease of illustration; and

FIG. 9 is a right side perspective view showing the backrest in folded condition with the armrests and cushions removed for ease of illustration.

The left side of the chair is a mirror image of the right side as shown in FIGS. 1, 5, 6, 7, and 9.

FIGS. 6 through 9 have been drawn to an enlarged scale with respect to FIGS. 1 through 5.

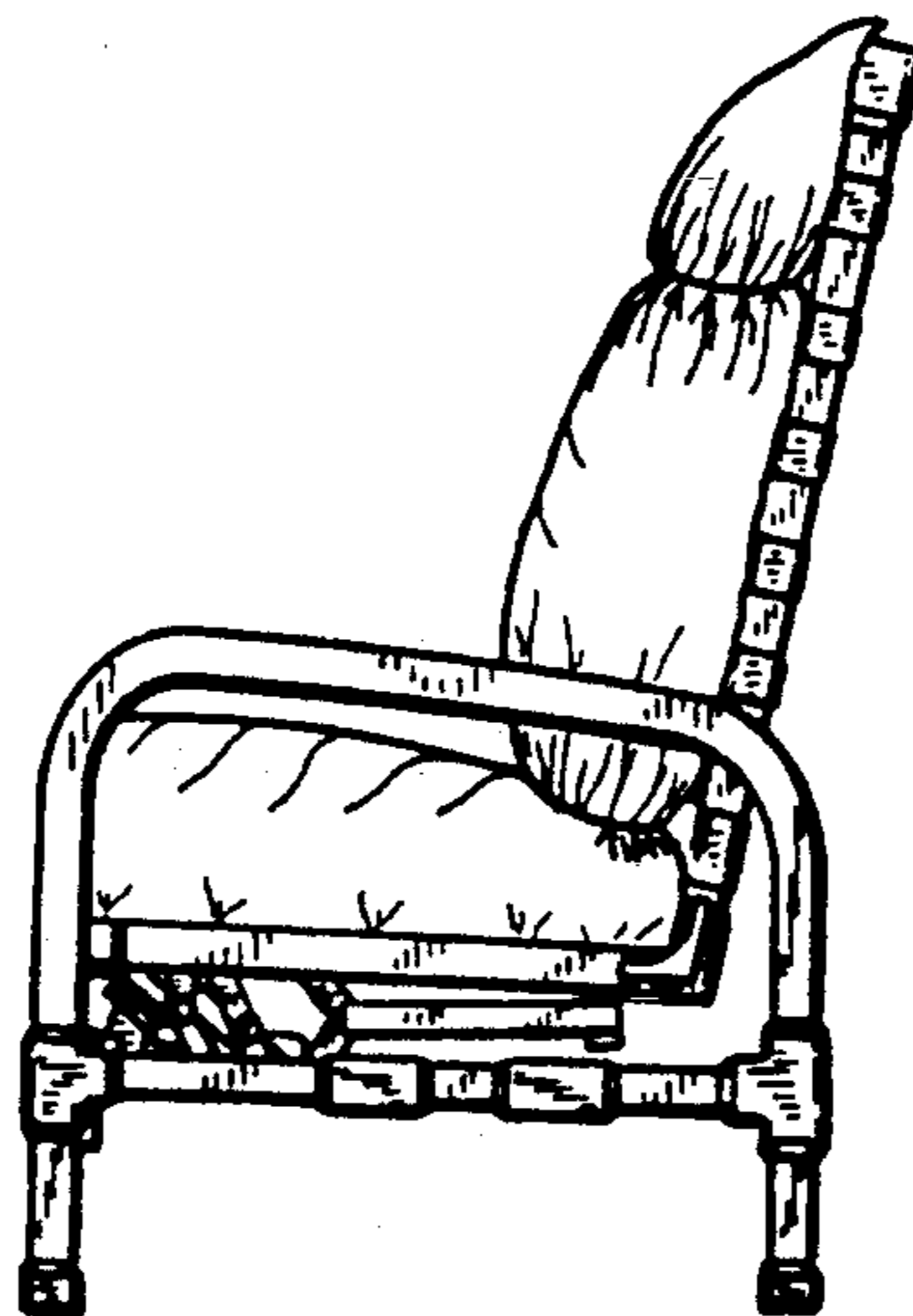


FIG. 1

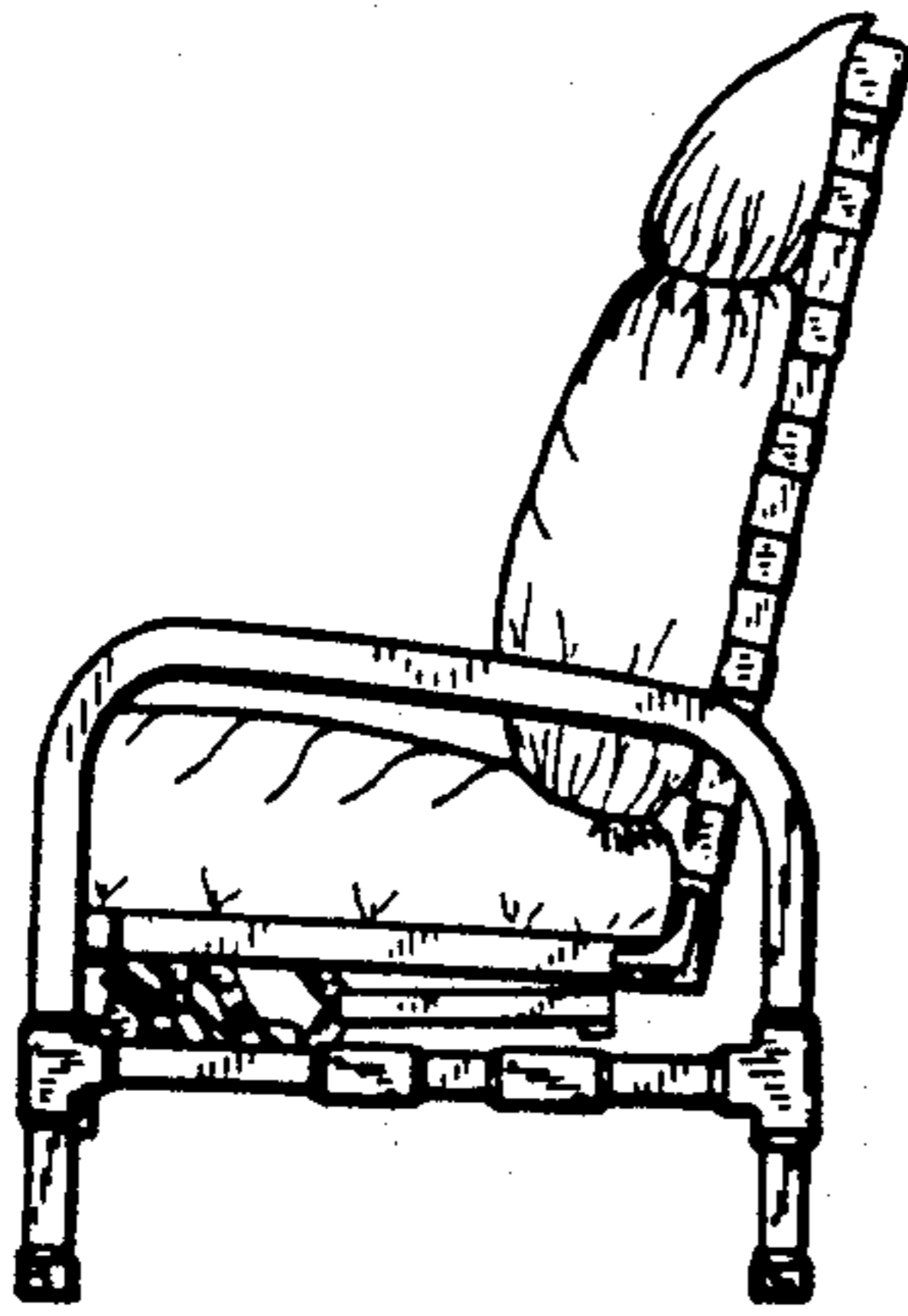


FIG. 2

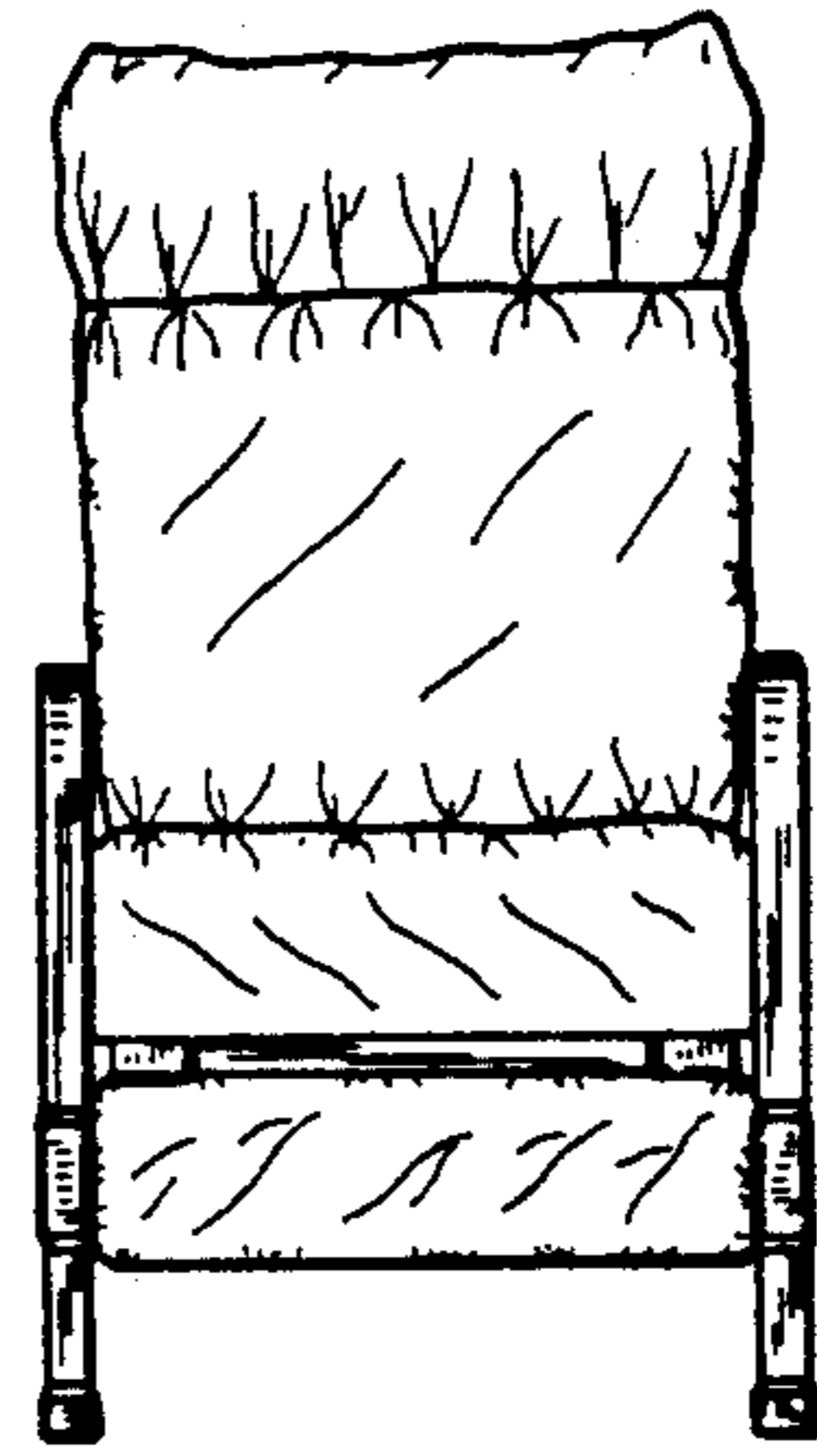


FIG. 3

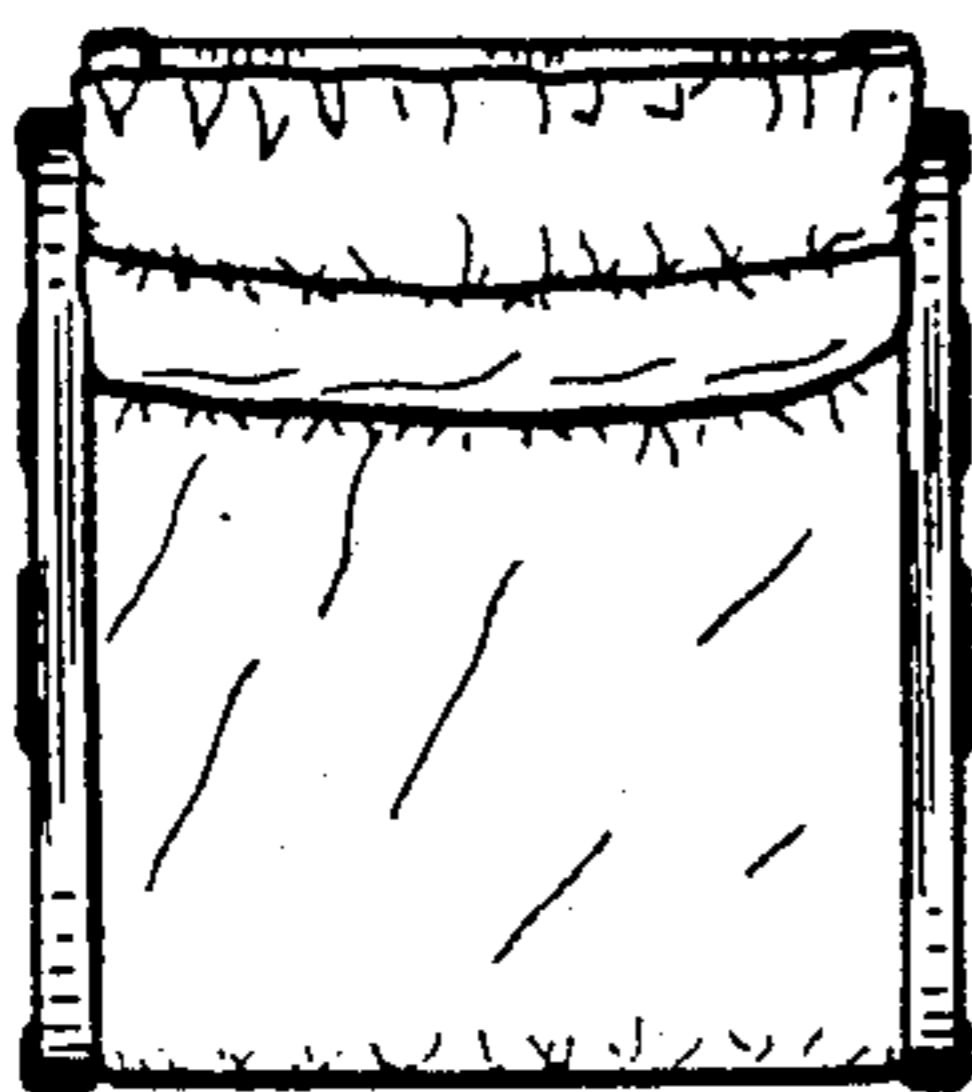


FIG. 4

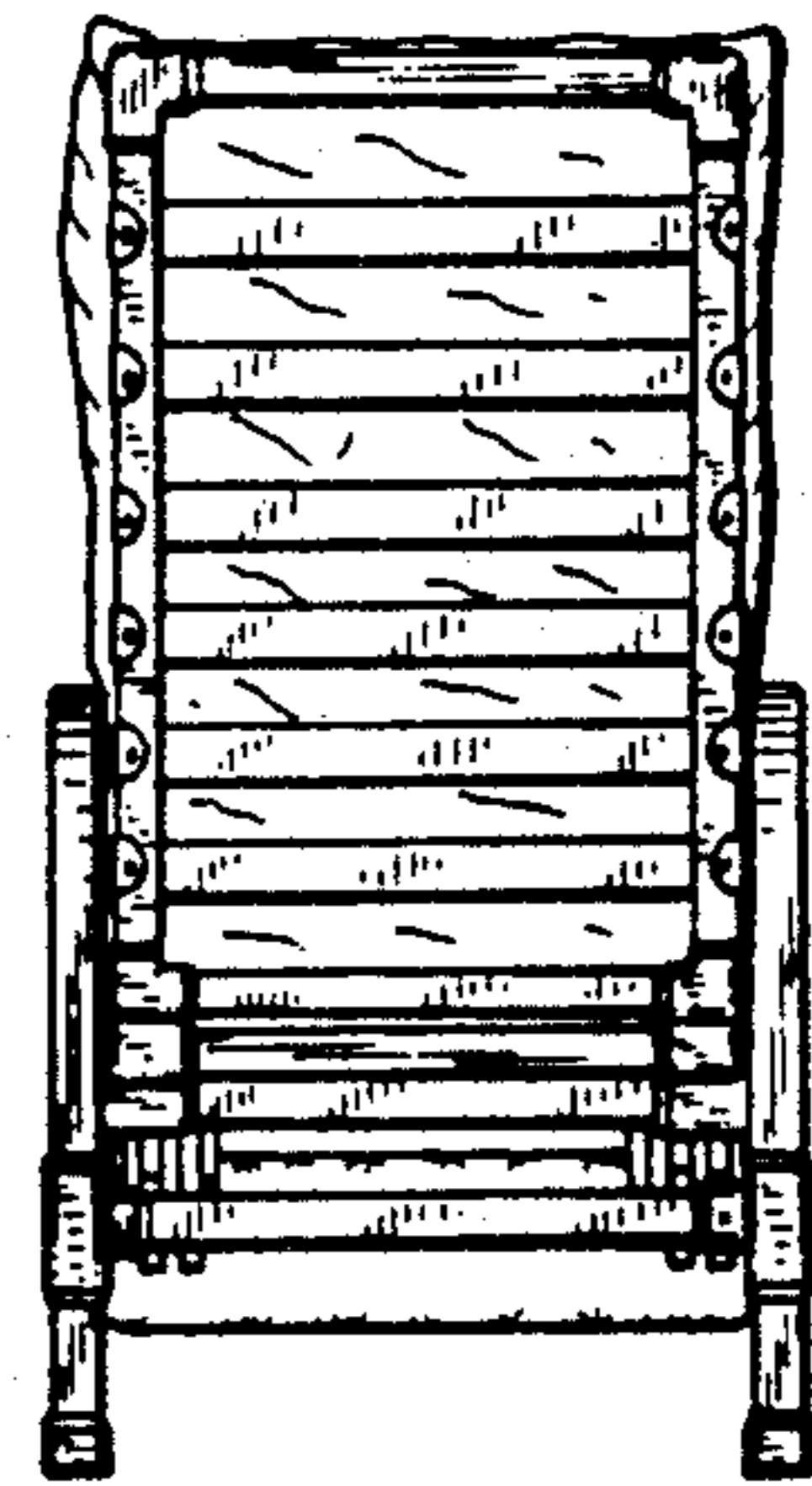
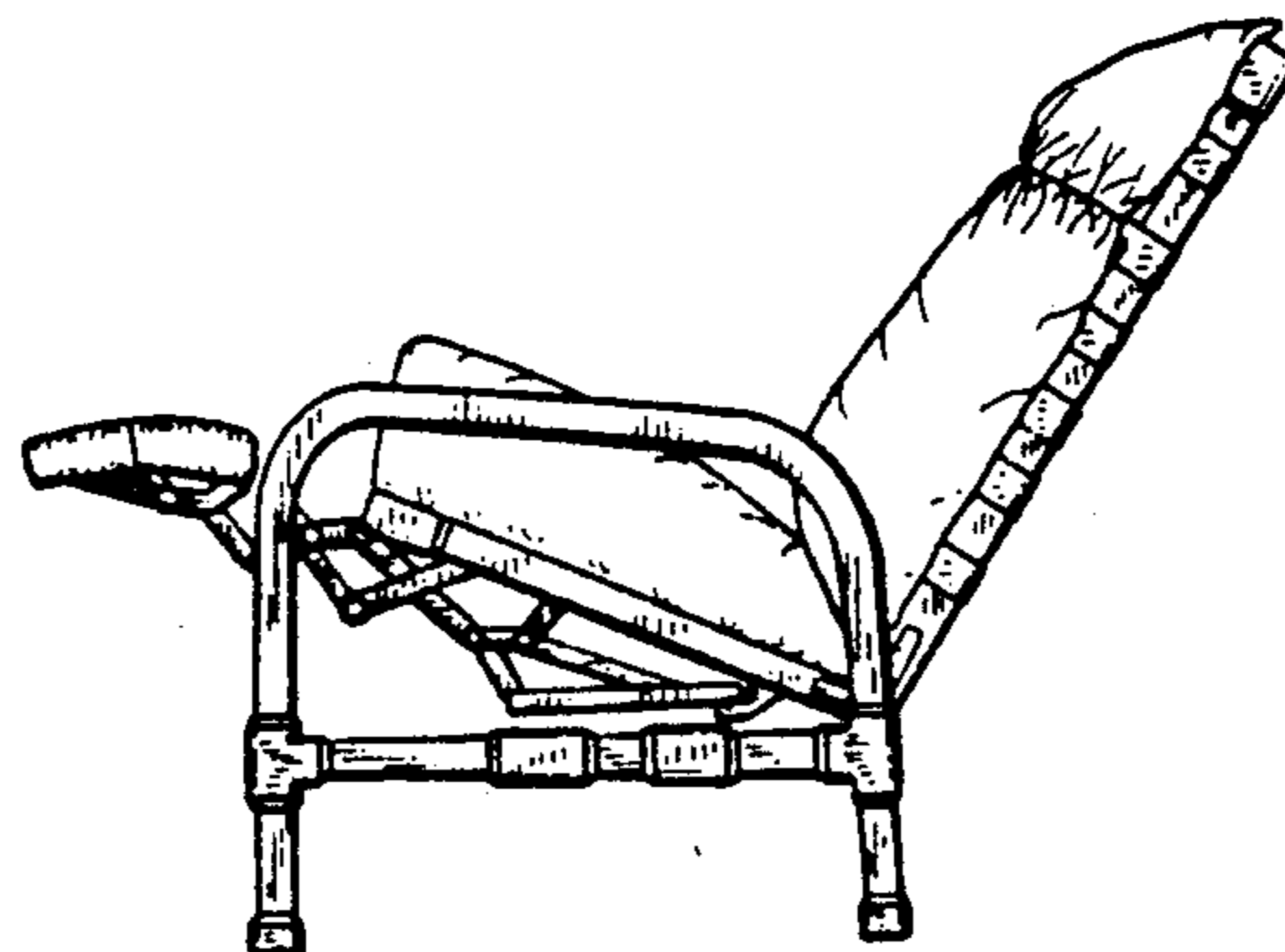


FIG. 5



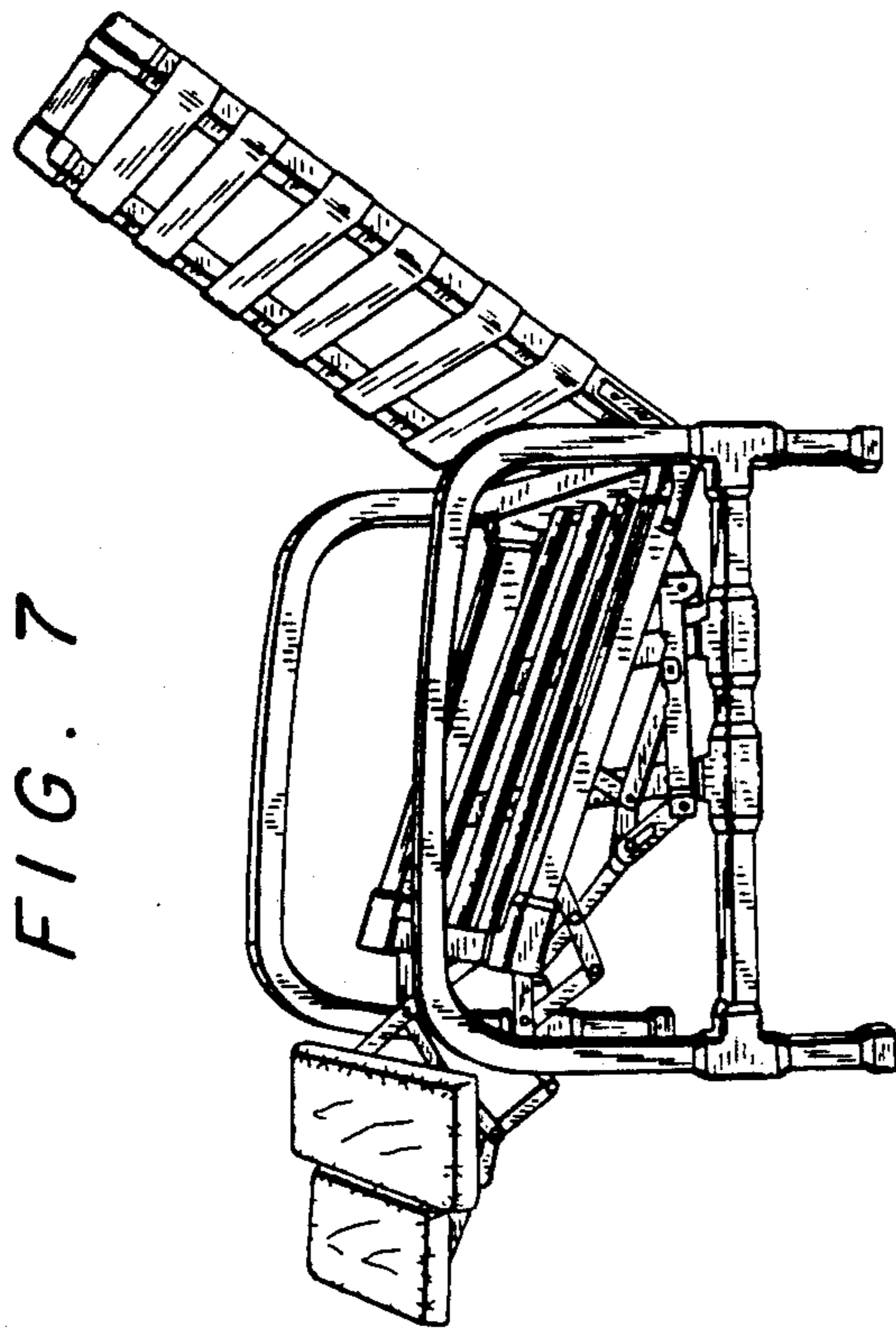


FIG. 7

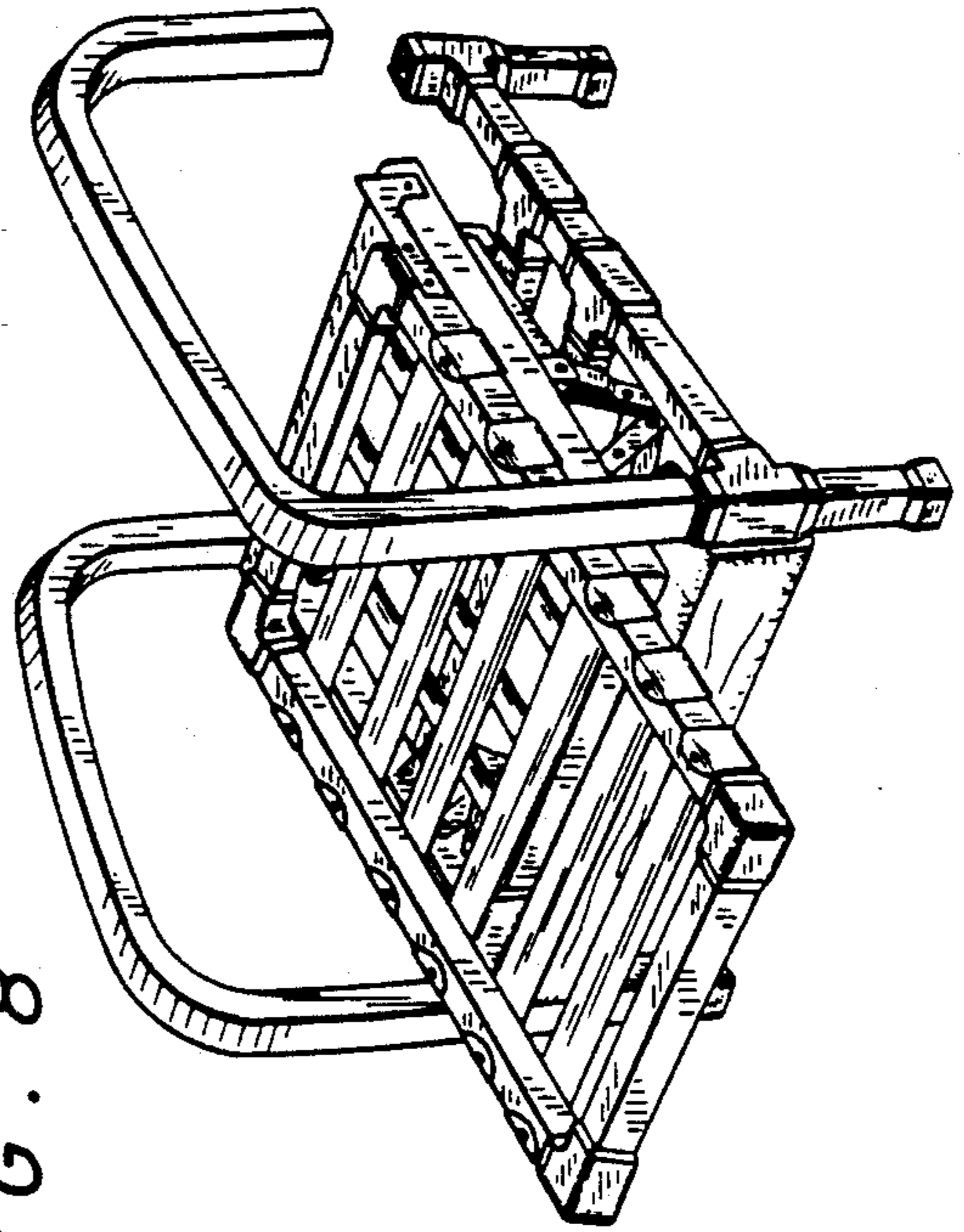


FIG. 8

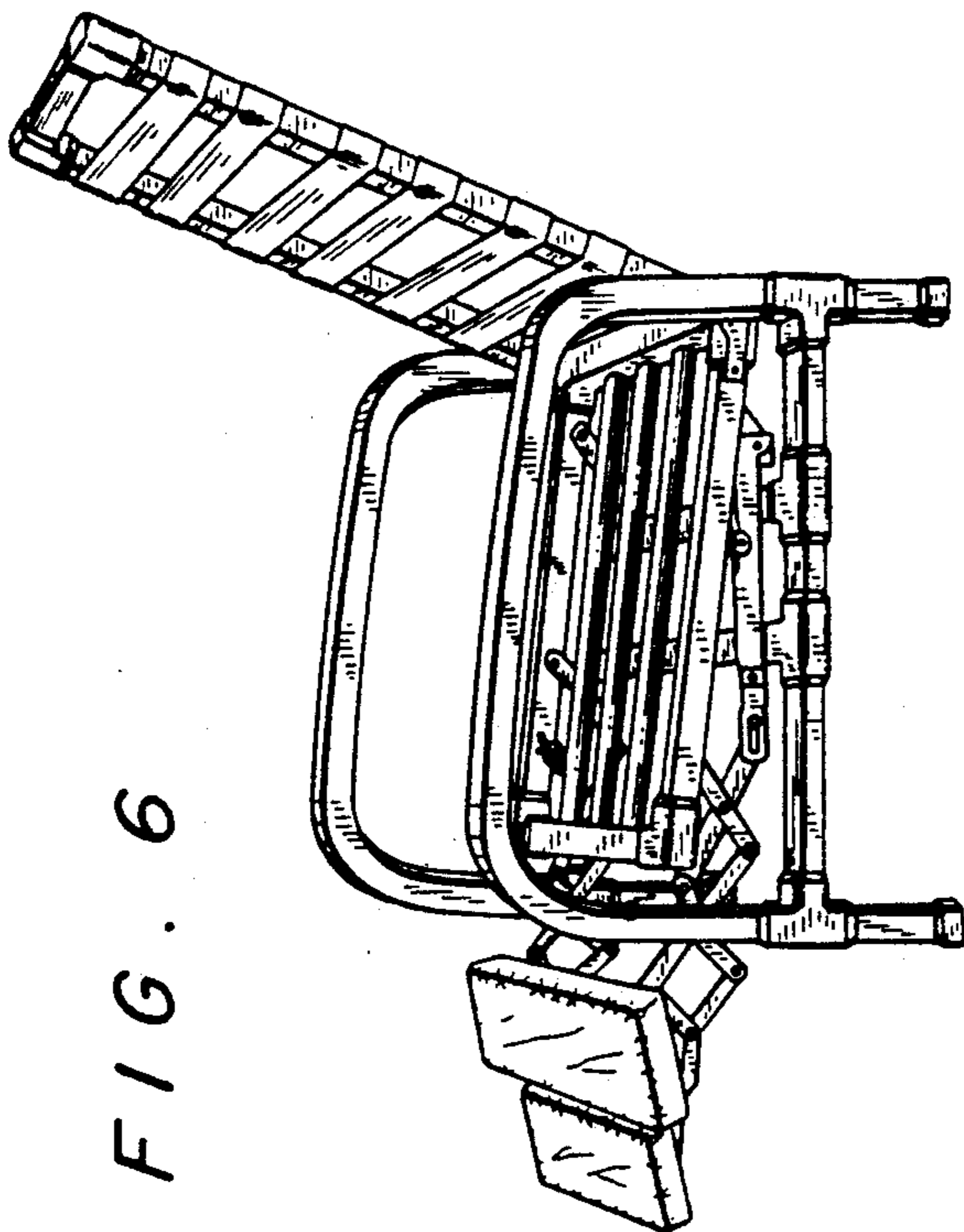


FIG. 6

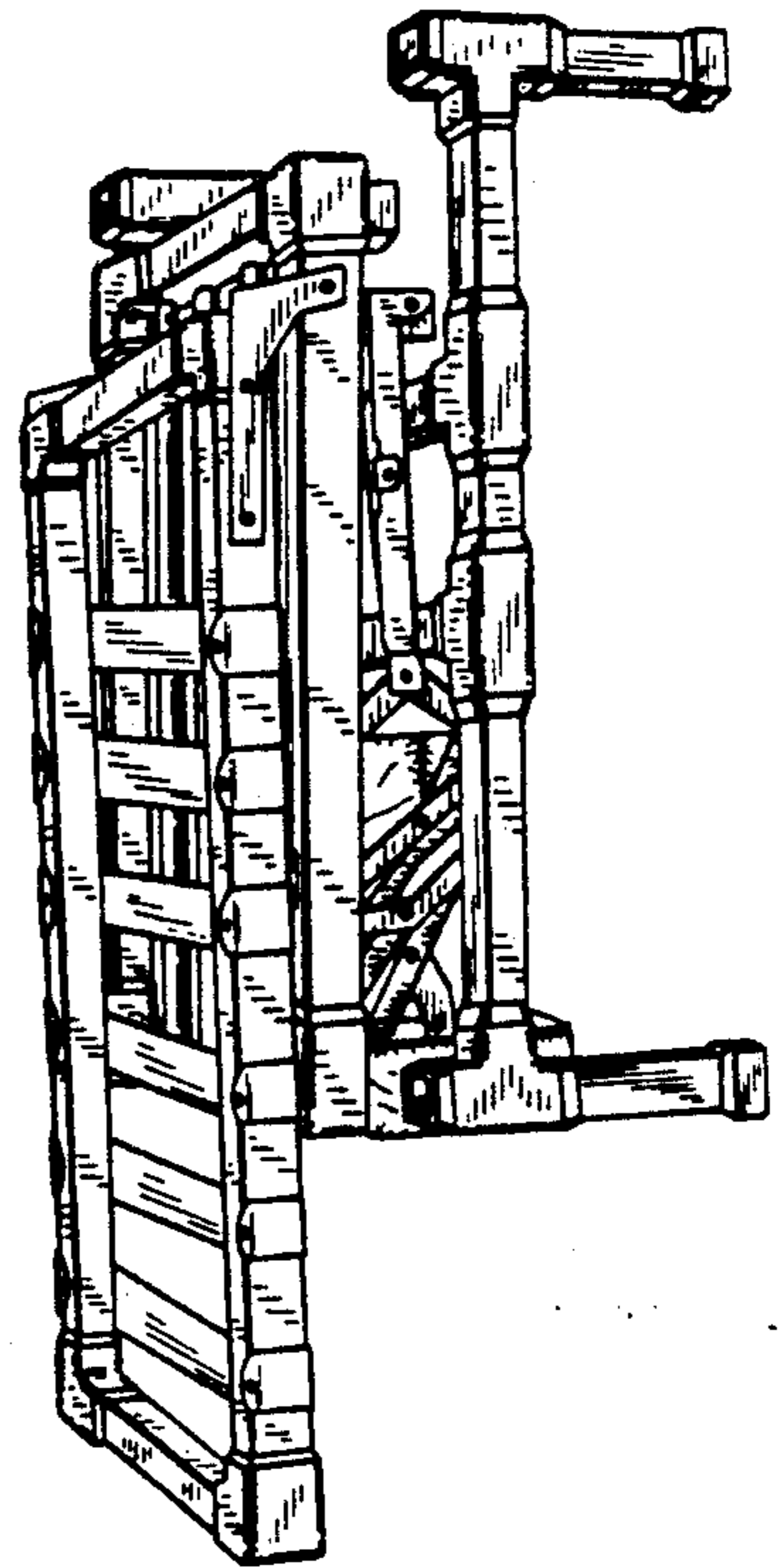


FIG. 9