



US00D332703S

United States Patent [19]

Gulliver

[11] Patent Number: **Des. 332,703**

[45] Date of Patent: **** Jan. 26, 1993**

- [54] **COMBINED CHAIR AND TRAY**
- [75] Inventor: **Barron J. Gulliver, Sturgis, Mich.**
- [73] Assignee: **Chrysalis, Inc., Bristol, Ind.**
- [**] Term: **14 Years**
- [21] Appl. No.: **505,550**
- [22] Filed: **Apr. 6, 1990**
- [52] U.S. Cl. **D6/338; D6/335; D6/336**
- [58] Field of Search **D6/334, 335, 336, 338, D6/366, 375, 379, 502; 297/162, 282**

3,197,254	7/1965	Hendrickson	297/162
3,488,089	1/1970	Brennan	297/162
3,717,375	2/1973	Slobodan	297/162

Primary Examiner—Alan P. Douglas
Assistant Examiner—Monica A. Hannon
Attorney, Agent, or Firm—James D. Hall

[57] CLAIM

The ornamental design for a combined chair and tray, as shown and described.

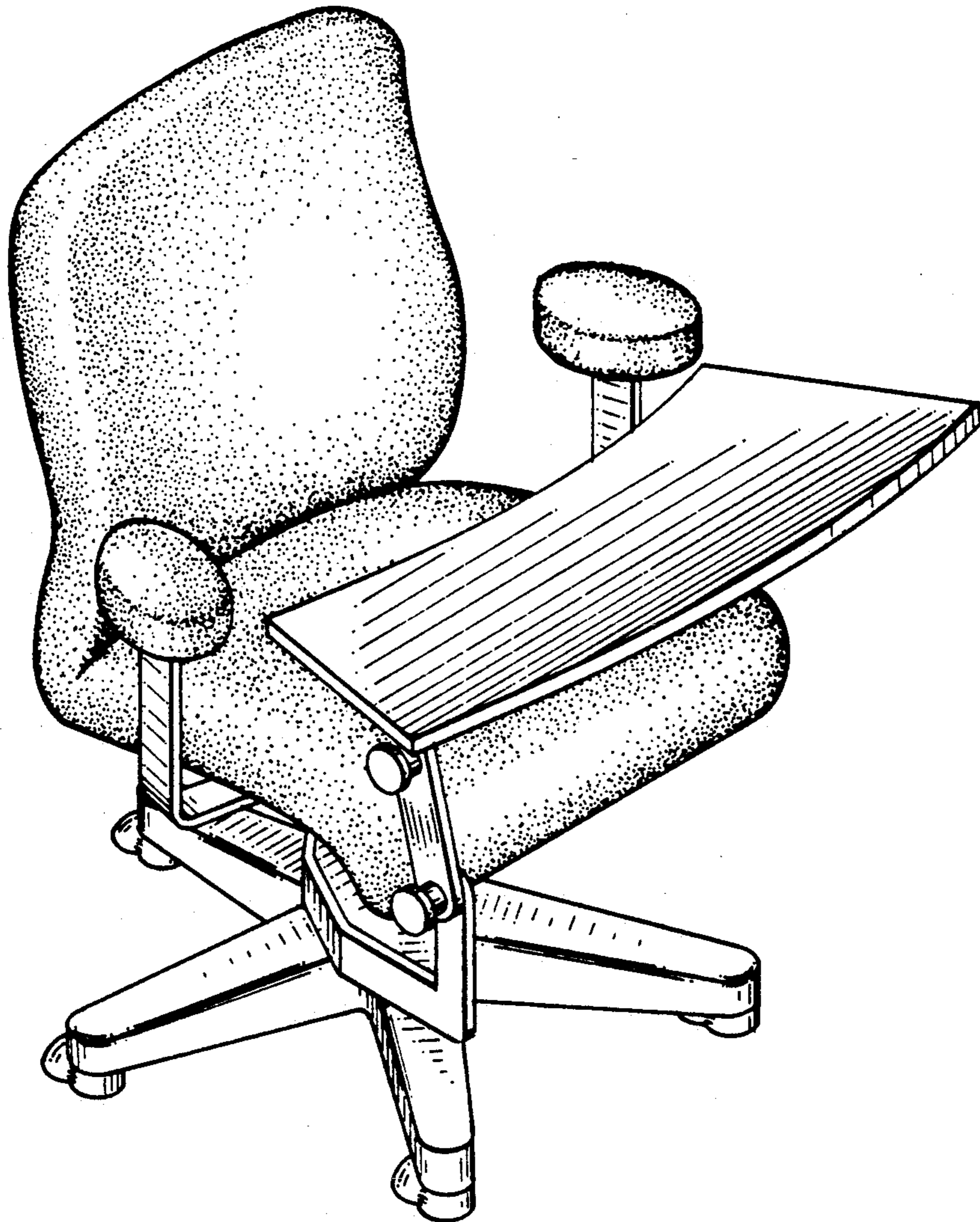
DESCRIPTION

FIG. 1 is a front perspective view of the combined chair and tray showing my new design;
 FIG. 2 is a top plan view thereof;
 FIG. 3 is a left side elevational view thereof;
 FIG. 4 is a front elevational view thereof;
 FIG. 5 is a right side elevational view thereof; and
 FIG. 6 is a rear elevational view thereof.
 The bottom of said chair and tray is unornamented.

[56] References Cited

U.S. PATENT DOCUMENTS

D. 229,923	1/1974	Thomas	D6/338 X
D. 253,205	10/1979	Buhk	D6/366
D. 280,682	9/1985	Lange	D6/366
1,156,776	10/1915	Hanson	297/162



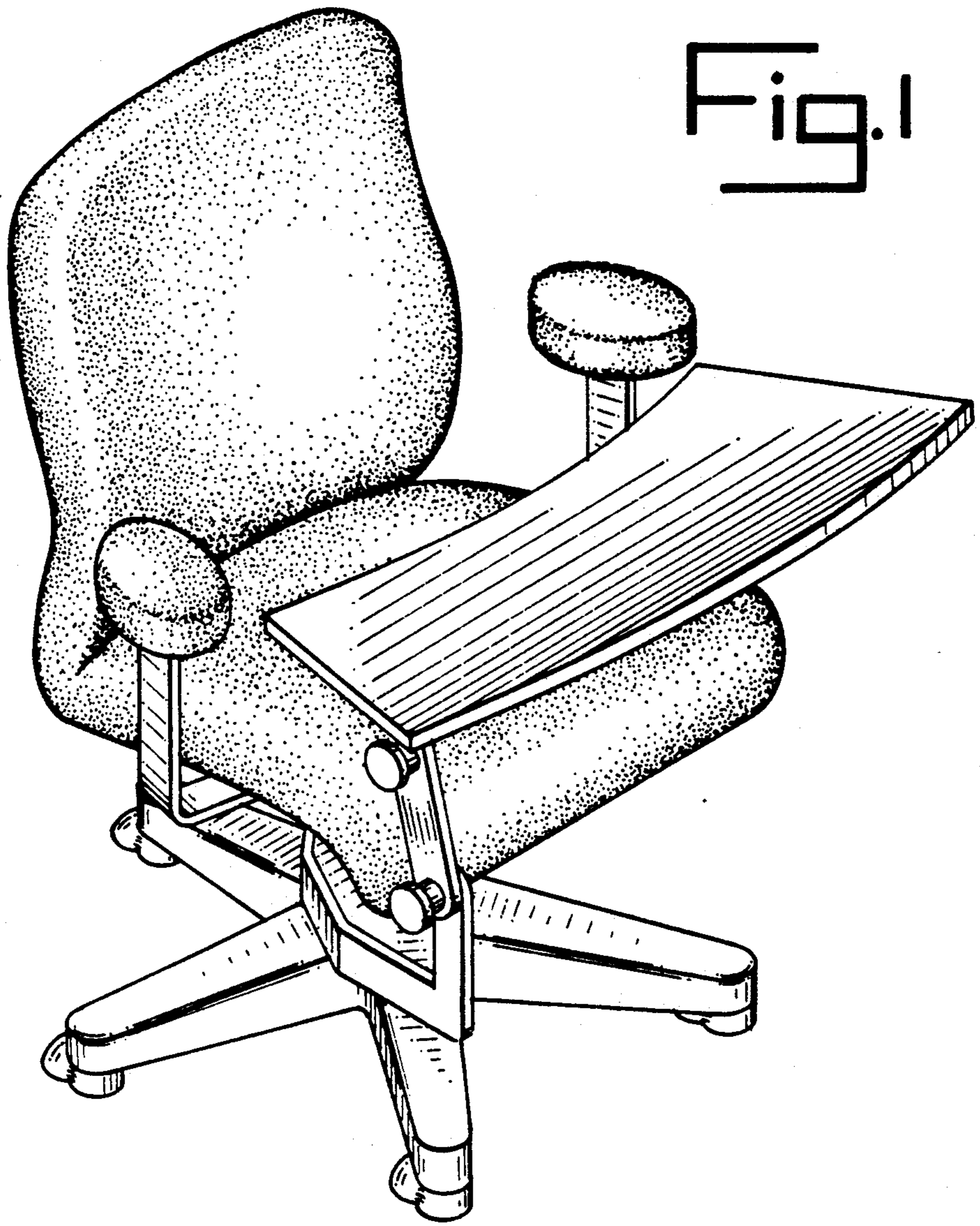


Fig. 1

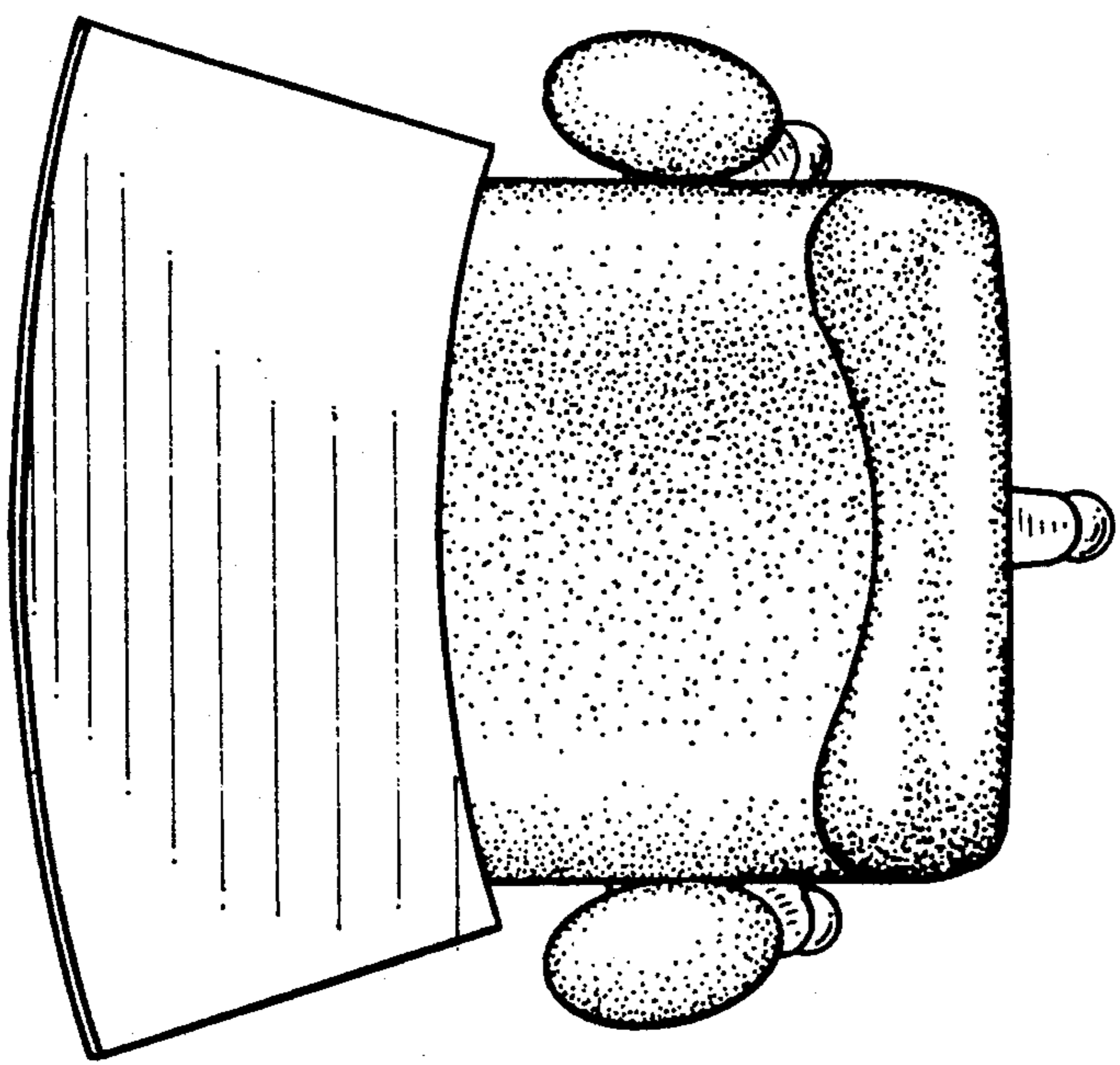


Fig. 2

Fig. 3

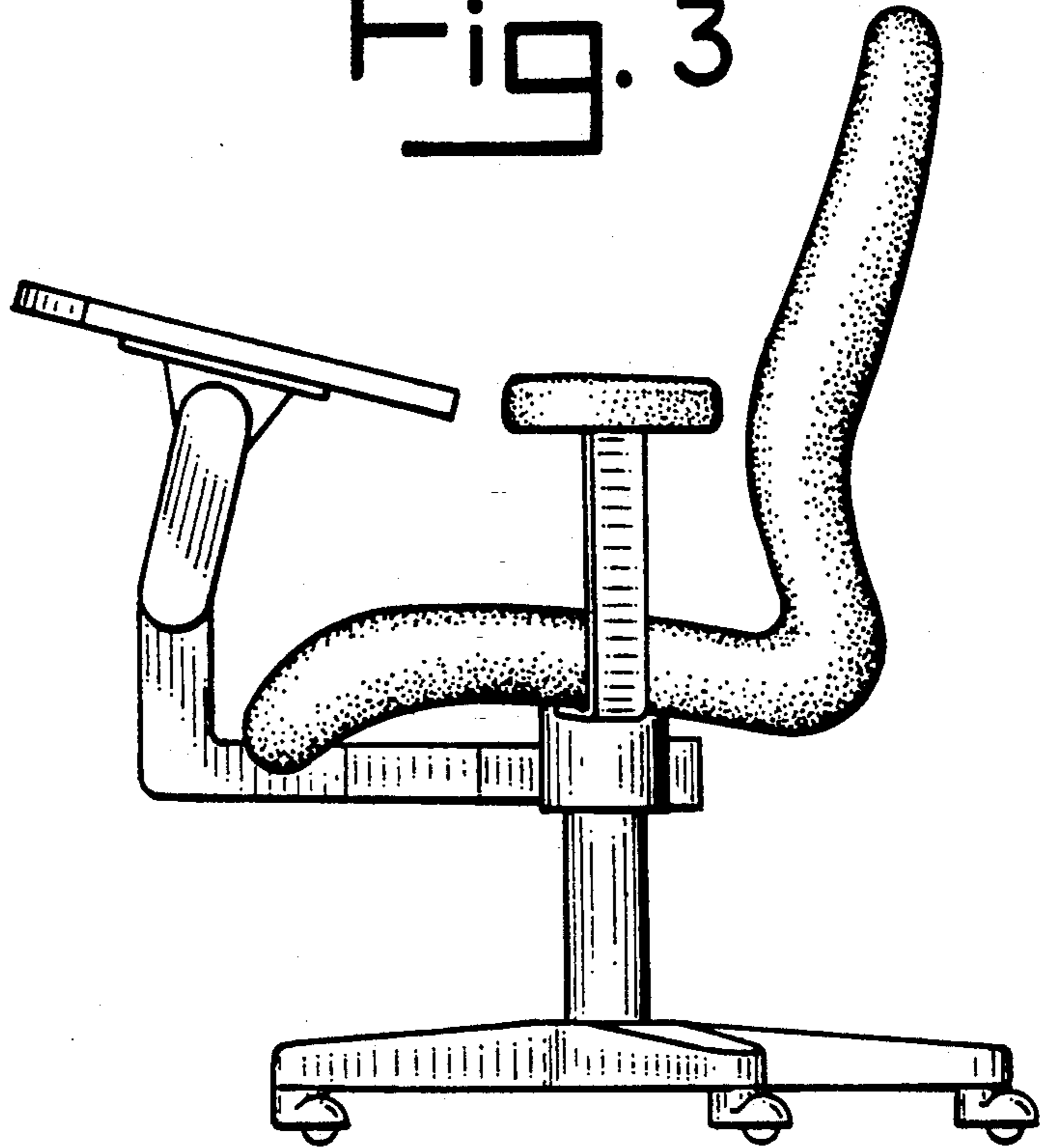


Fig. 4

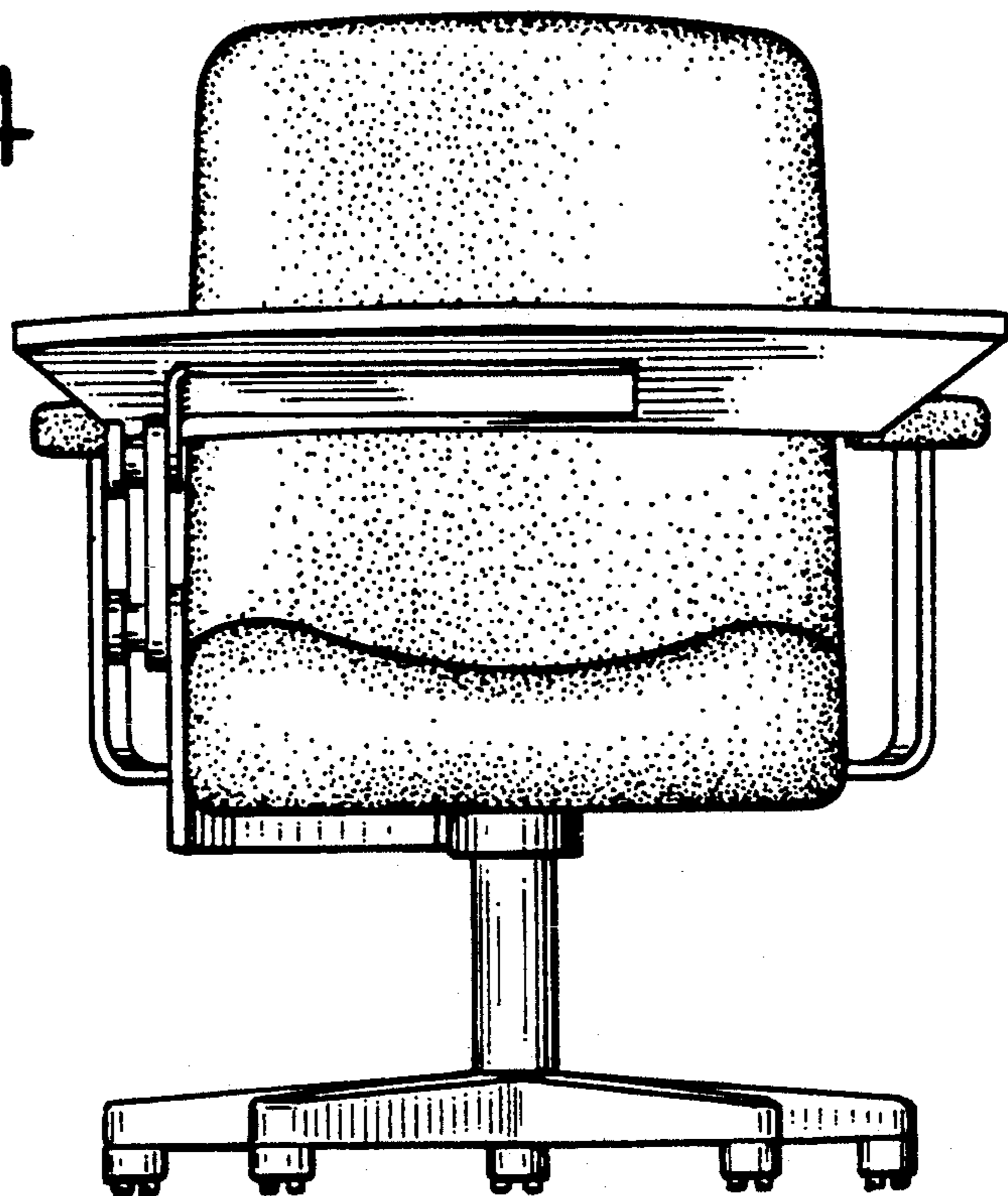


Fig. 5

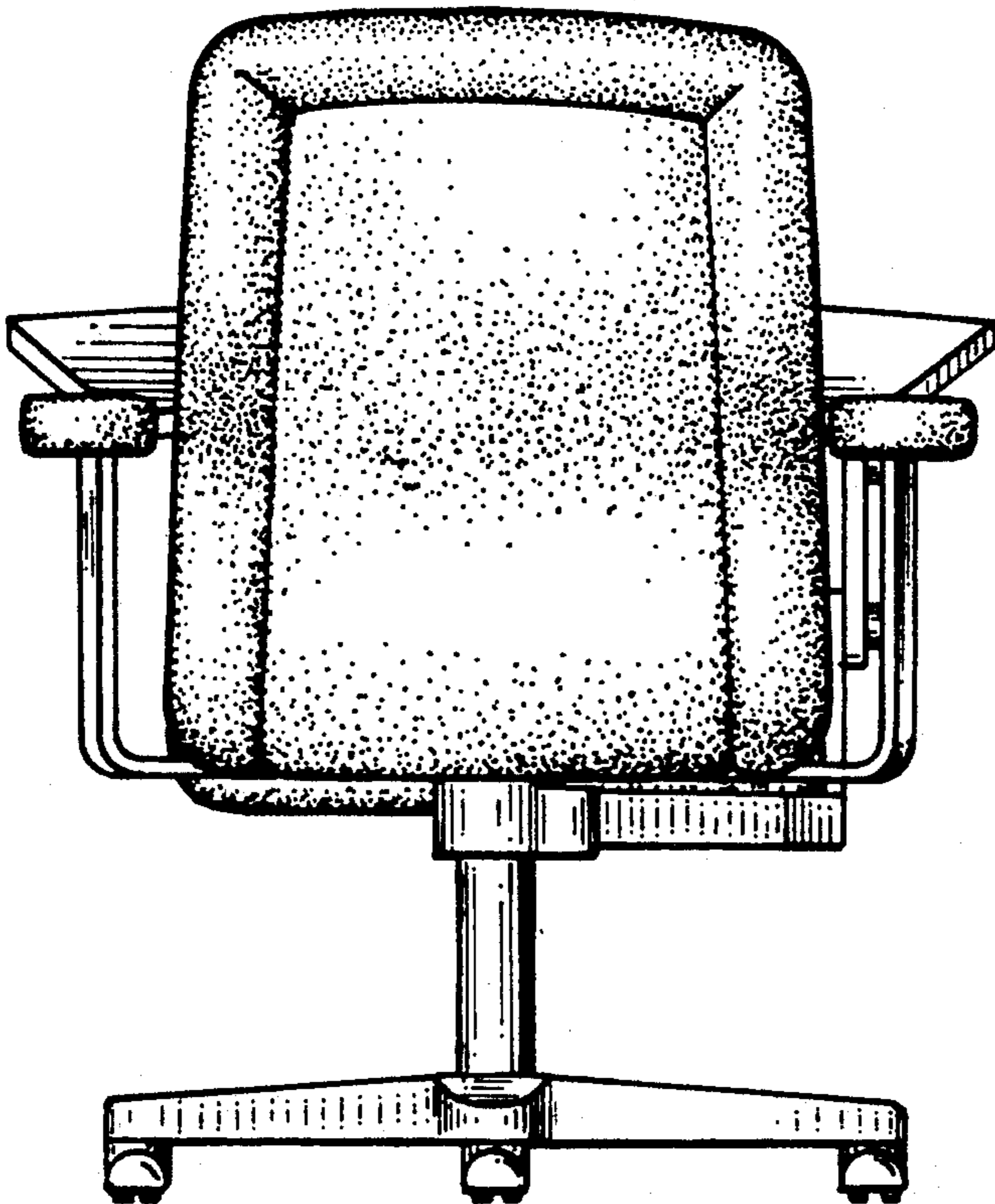
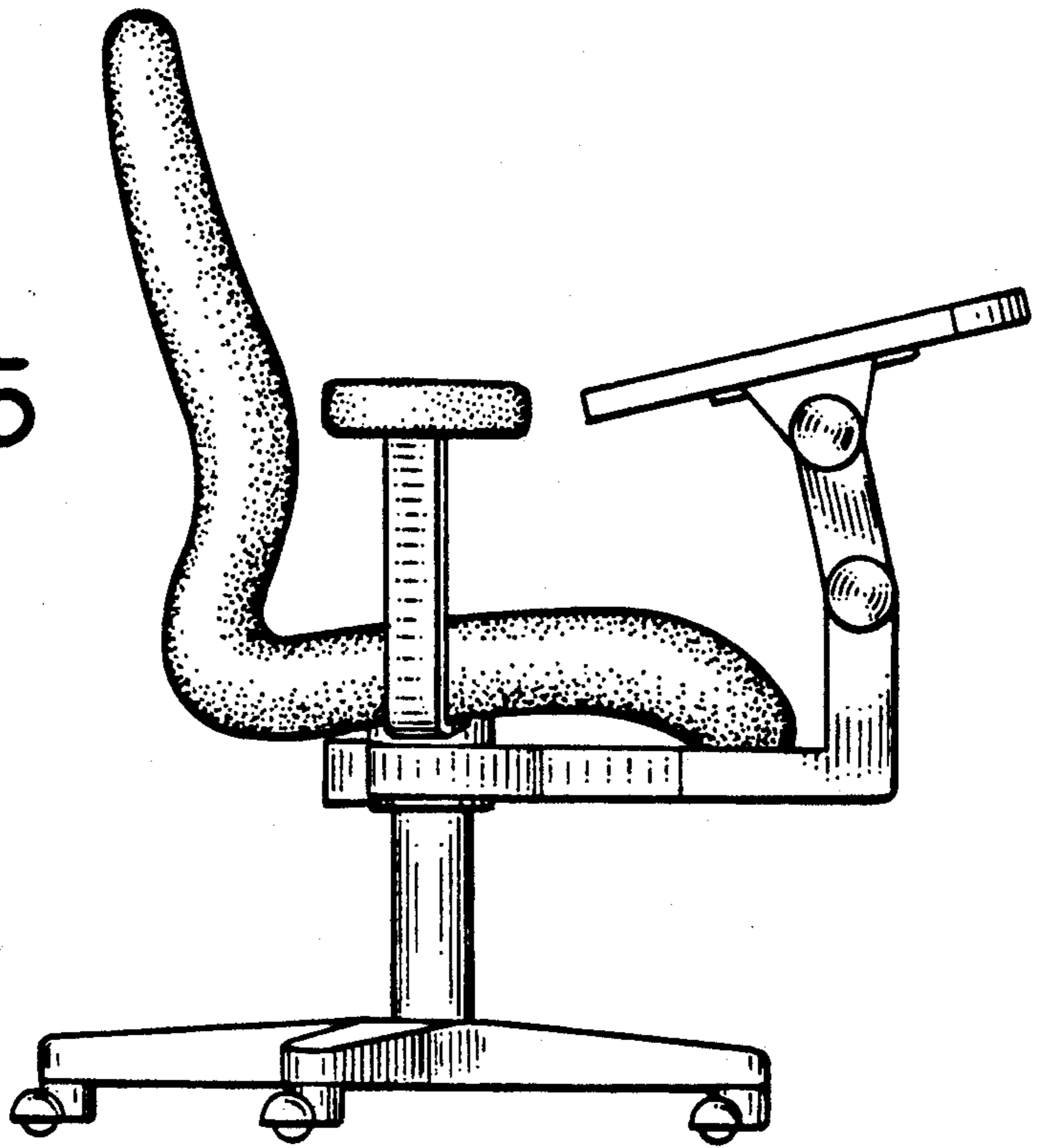


Fig. 6