



US00D332702S

United States Patent [19]

Kaga et al.

[11] Patent Number: **Des. 332,702**

[45] Date of Patent: **** Jan. 26, 1993**

[54] **PICTURE FRAME**

[75] Inventors: **Gary Kaga; John Arnott**, both of Ontario, Canada

[73] Assignee: **Invicta Products Incorporated**, Toronto, Canada

[**] Term: **14 Years**

[21] Appl. No.: **499,822**

[22] Filed: **Mar. 22, 1990**

[52] U.S. Cl. **D6/310**

[58] Field of Search **D6/300-314; D11/132; 40/152, 152.1, 158.1, 159**

[56] **References Cited**

U.S. PATENT DOCUMENTS

- D. 266,890 11/1982 Pfanstiehl D6/300
- D. 276,397 11/1984 Pfanstiehl D6/300

- D. 319,541 9/1991 Steward D6/300
- 822,633 6/1906 Schrick 40/152

FOREIGN PATENT DOCUMENTS

- 910102 11/1962 United Kingdom 40/158.1

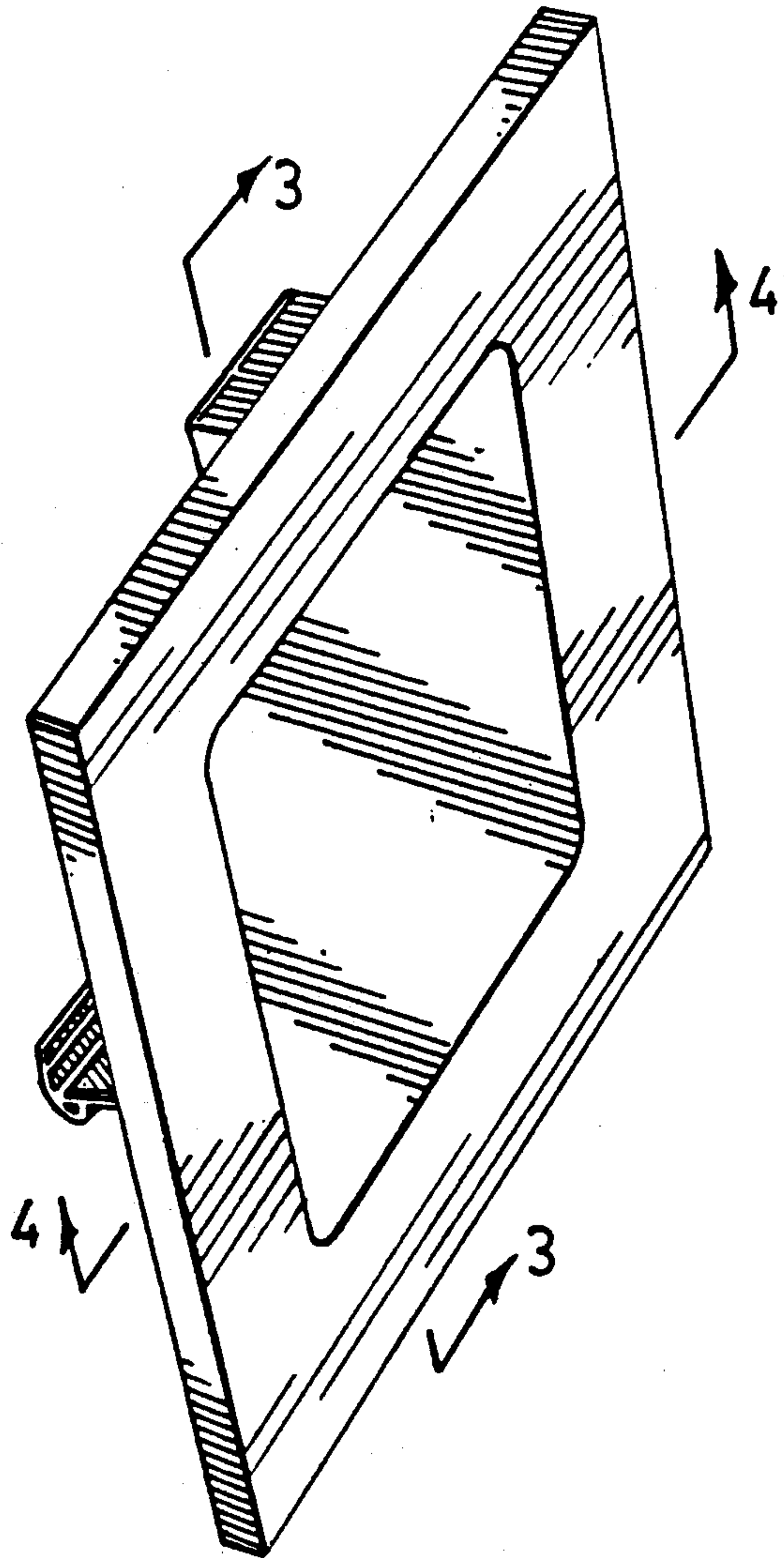
Primary Examiner—Bernard Ansher
Assistant Examiner—Adir Aronovich
Attorney, Agent, or Firm—Bereskin & Parr

[57] CLAIM

The ornamental design for a picture frame, as shown.

DESCRIPTION

FIG. 1 is a top, front perspective view of a picture frame showing our new design;
 FIG. 2 is a bottom, rear perspective view thereof;
 FIG. 3 is an enlarged cross-sectional view taken on line 3-3 of FIG. 1; and,
 FIG. 4 is an enlarged cross-sectional view taken on line 4-4 of FIG. 1.



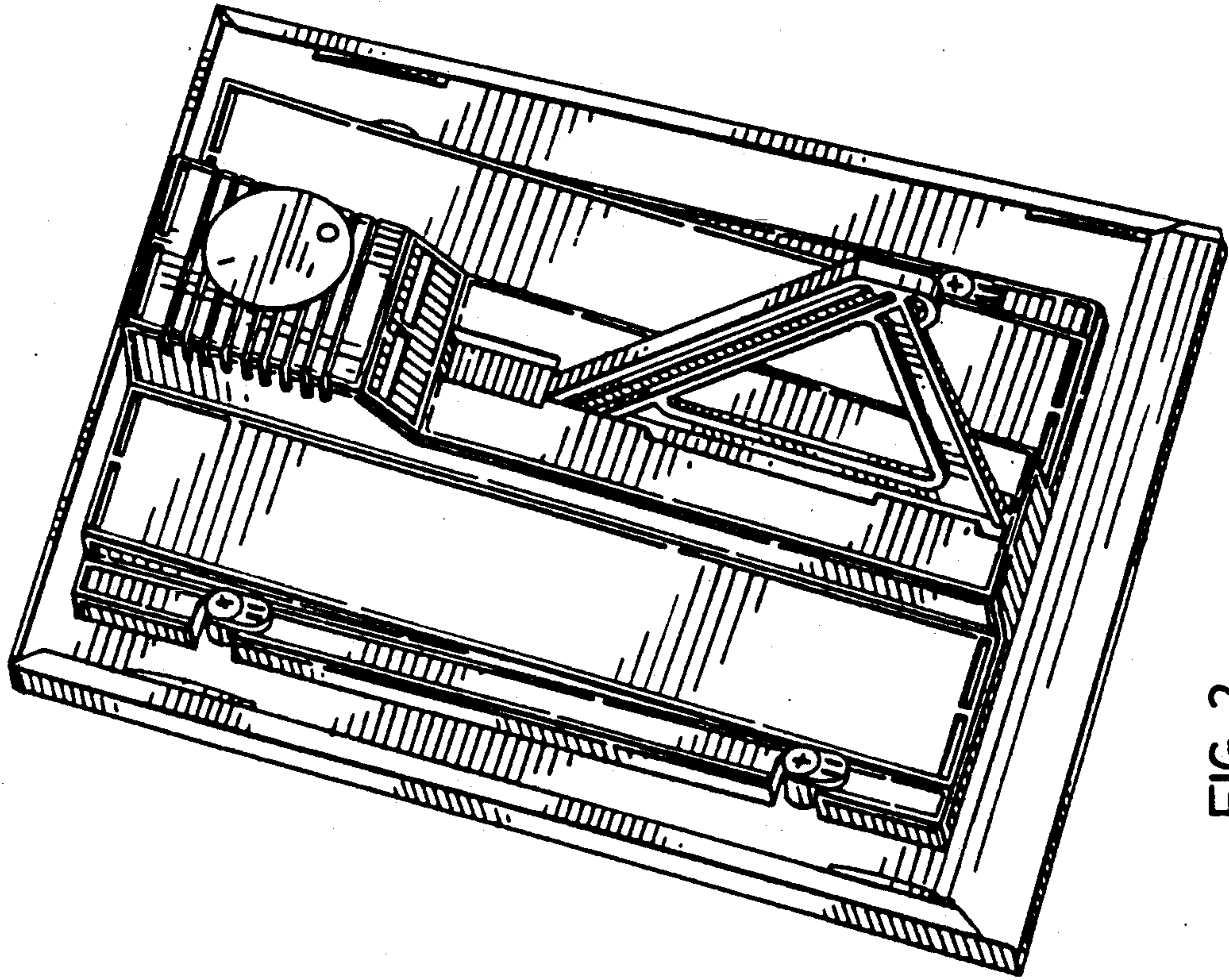


FIG. 2

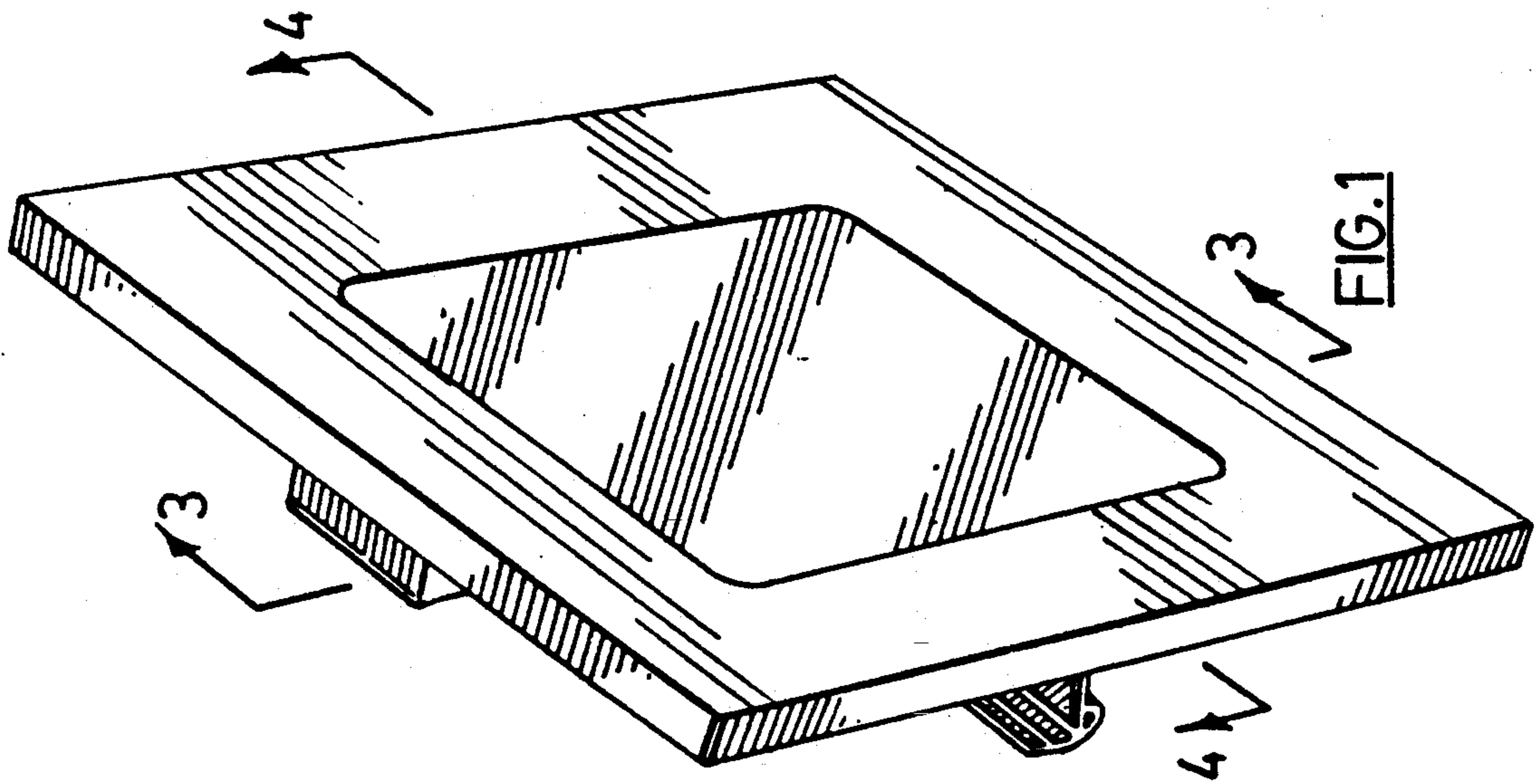


FIG. 1

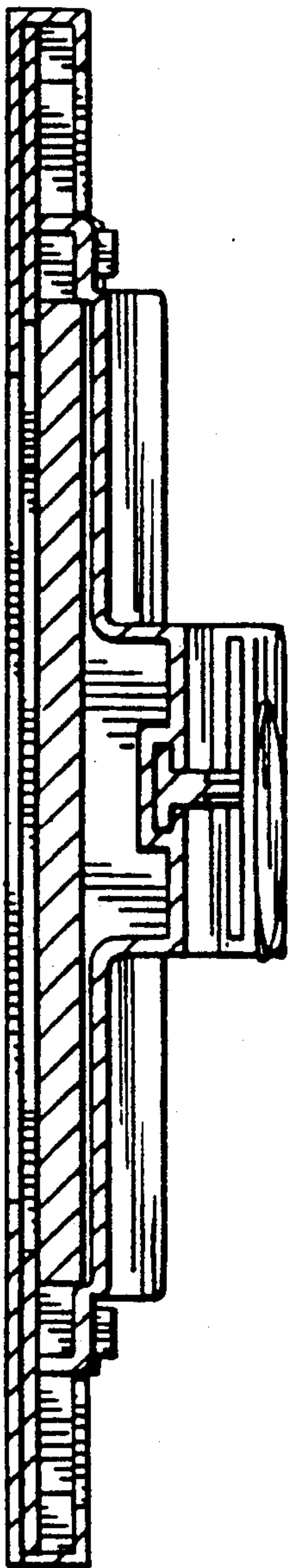


FIG. 4

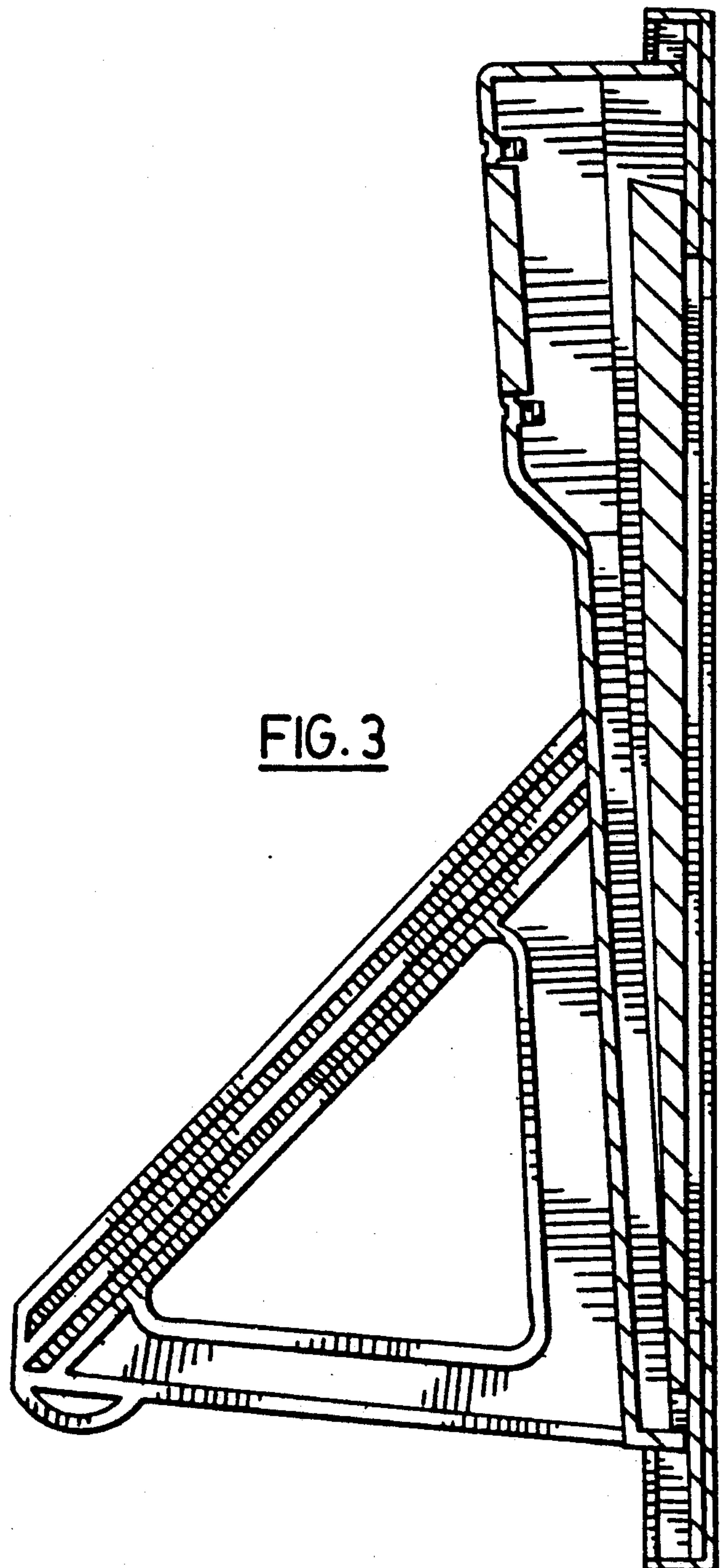


FIG. 3