



US00D332701S

United States Patent [19]

[11] Patent Number: **Des. 332,701**

Berti

[45] Date of Patent: **** Jan. 26, 1993**

[54] **BROOM CAP**

[75] Inventor: **Enzo Berti, Dolo, Italy**

[73] Assignee: **The Libman Company, Arcola, Ill.**

[**] Term: **14 Years**

[21] Appl. No.: **583,349**

[22] Filed: **Sep. 14, 1990**

[52] U.S. Cl. **D4/199; D32/50**

[58] Field of Search **D4/132, 135, 199; D32/50-51; 15/159 R, 159 A, 160, 171, 175**

[56] **References Cited**

U.S. PATENT DOCUMENTS

D. 282,112	1/1986	Maust et al.	D4/199
D. 293,165	12/1987	Machacek	D4/135
4,528,713	7/1985	Libman	15/171
5,010,616	4/1991	Berti	15/159 R

Primary Examiner—Wallace R. Burke

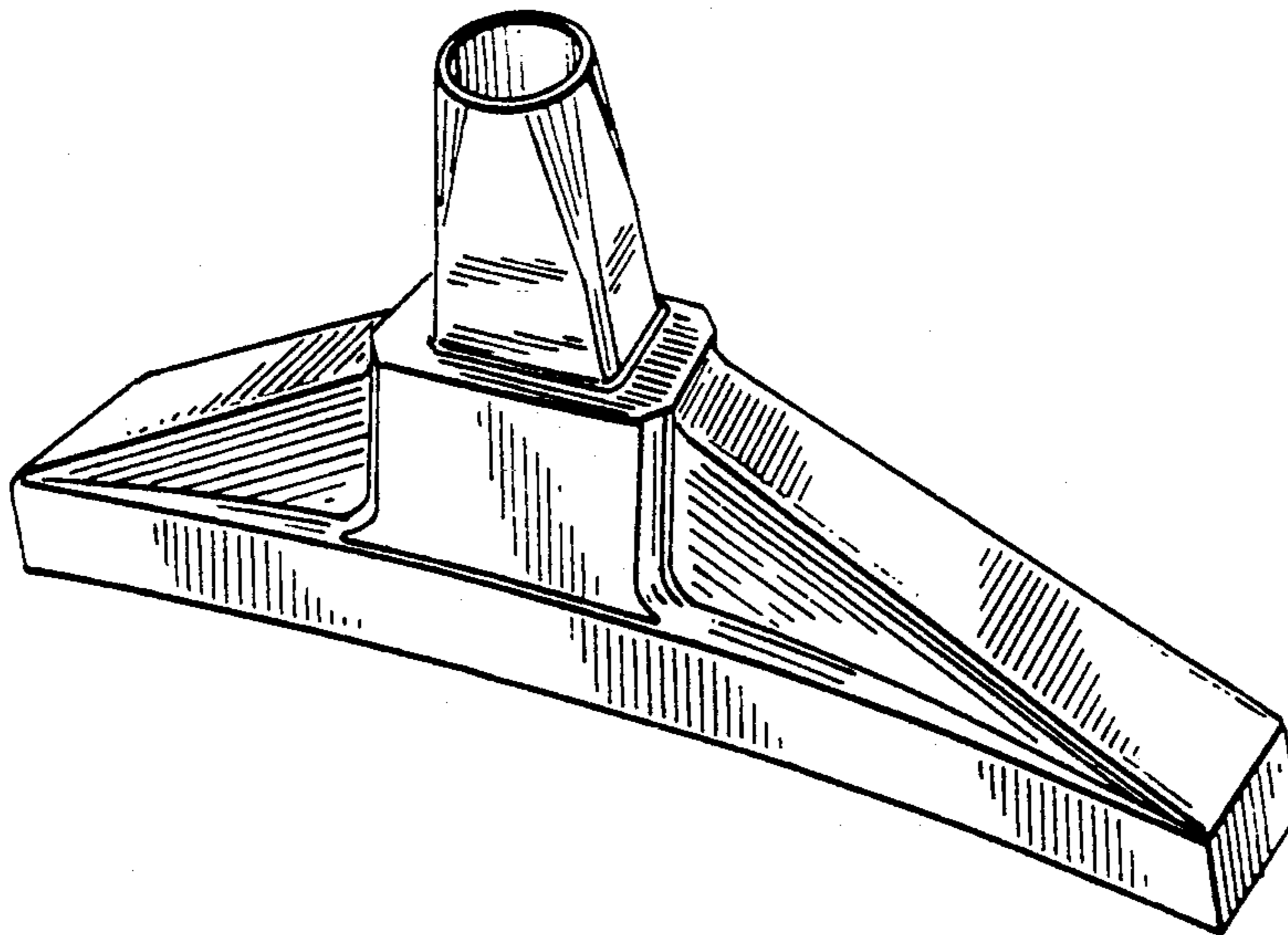
Assistant Examiner—Lavone D. Tabor
Attorney, Agent, or Firm—Marshall, O'Toole, Gerstein, Murray & Bicknell

[57] **CLAIM**

The ornamental design for a broom cap, as shown and described.

DESCRIPTION

FIG. 1 is a perspective view of a broom cap showing my new design, the broken lines showing of a handle and broom fibers being for illustrative purposes only and forming no part of the claimed design; FIG. 2 is an enlarged perspective view thereof; FIG. 3 is a side elevational view as seen from the left of FIG. 2; FIG. 4 is an elevational view of the opposite side thereof; FIG. 5 is a top plan view thereof; FIG. 6 is a front elevational view thereof, the rear being a mirror image; and, FIG. 7 is a bottom plan view thereof.



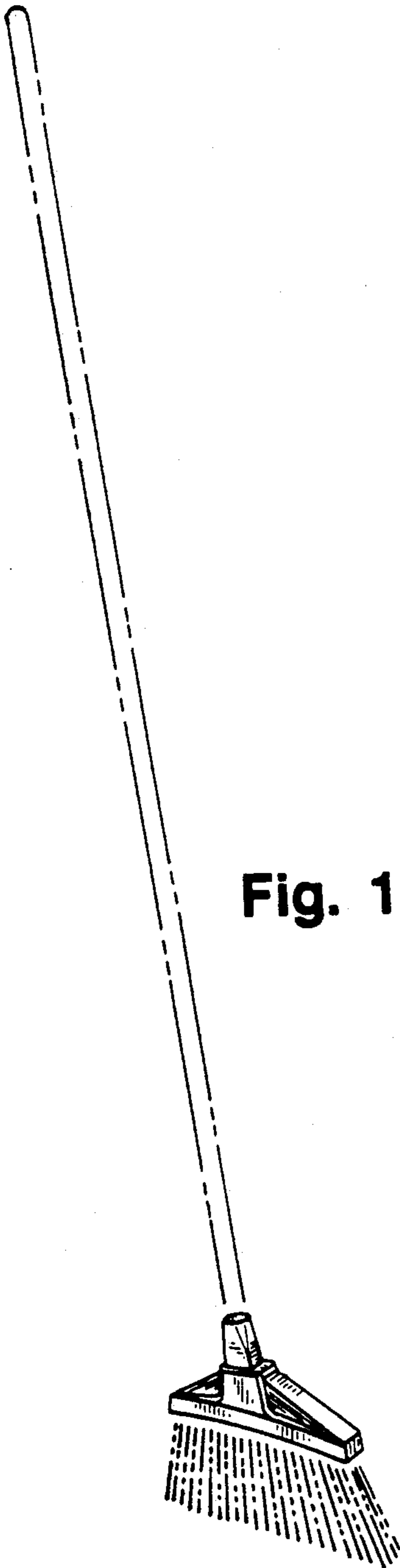


Fig. 1

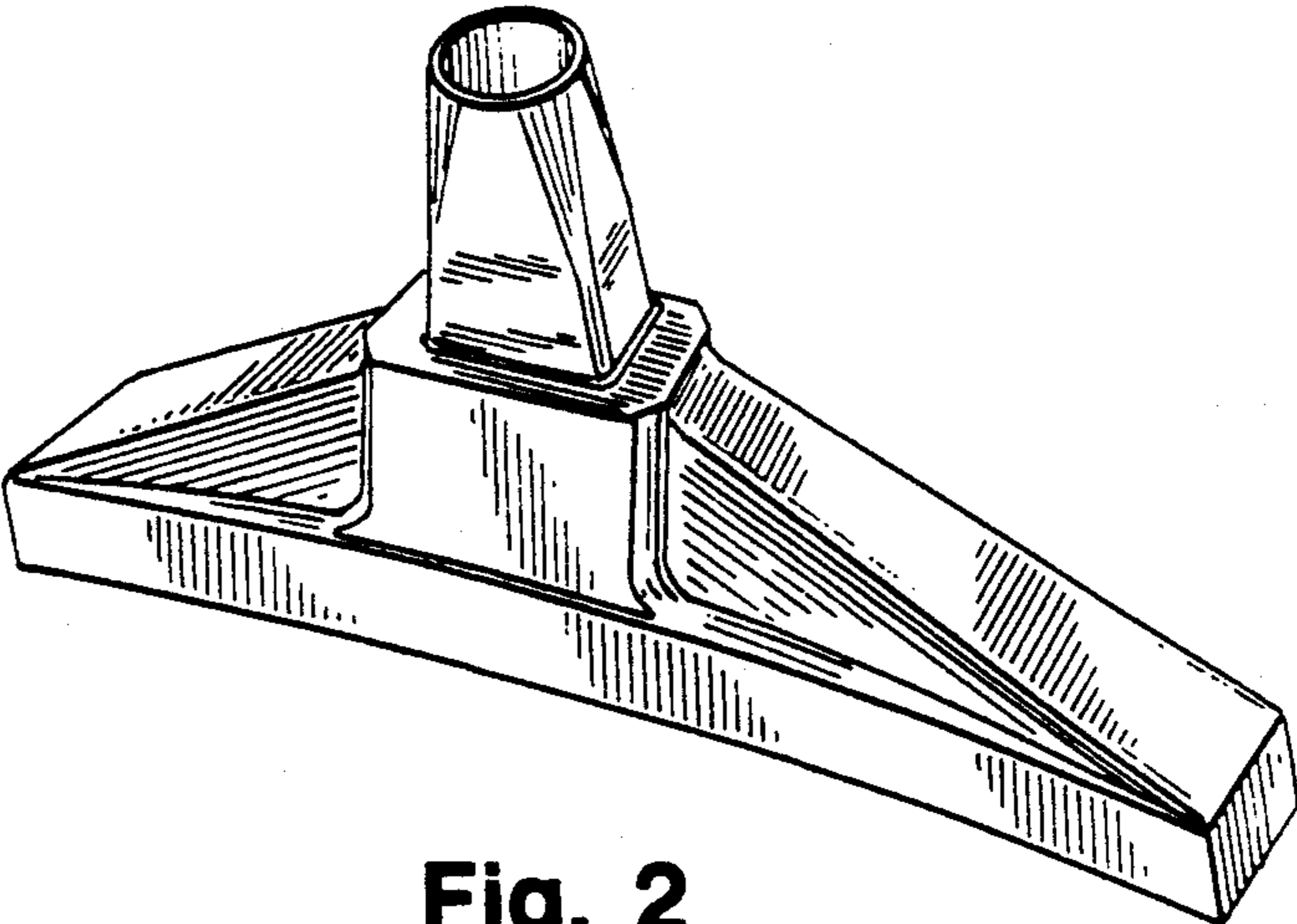


Fig. 2

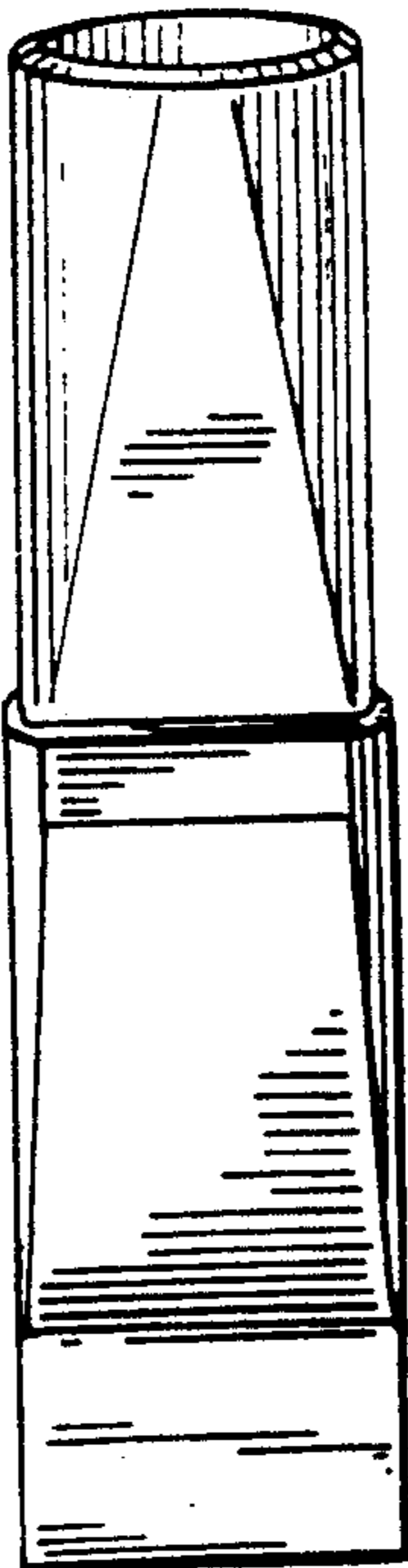


Fig. 3

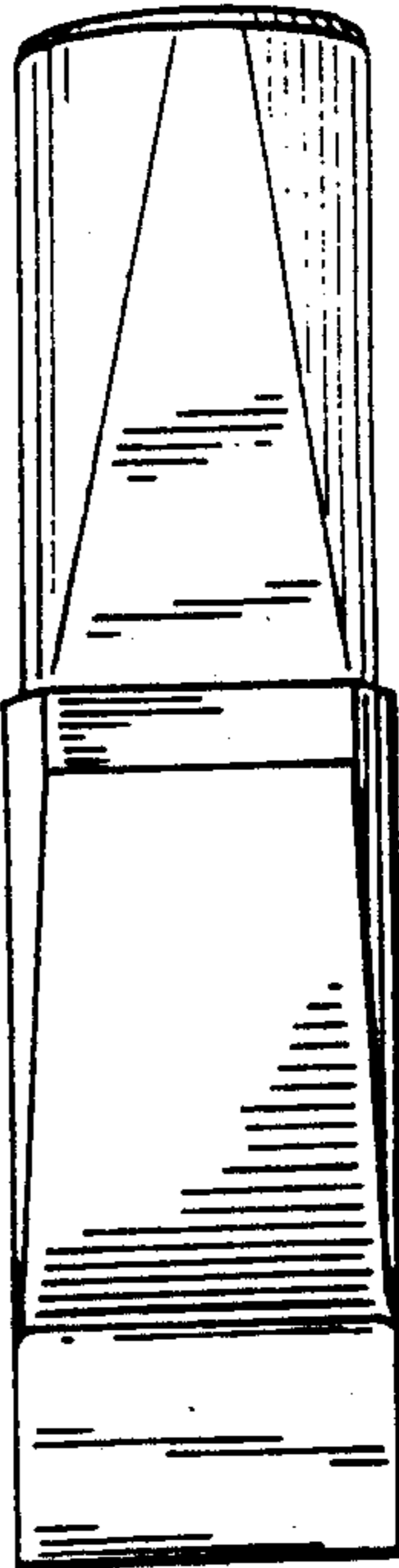


Fig. 4

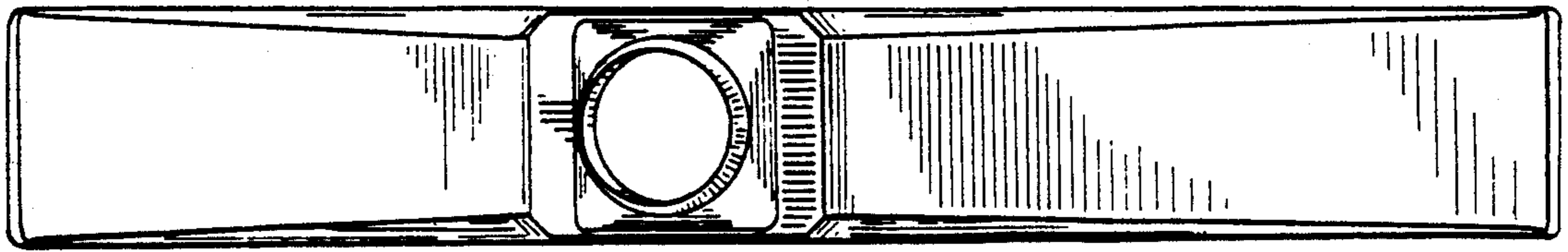


Fig. 5

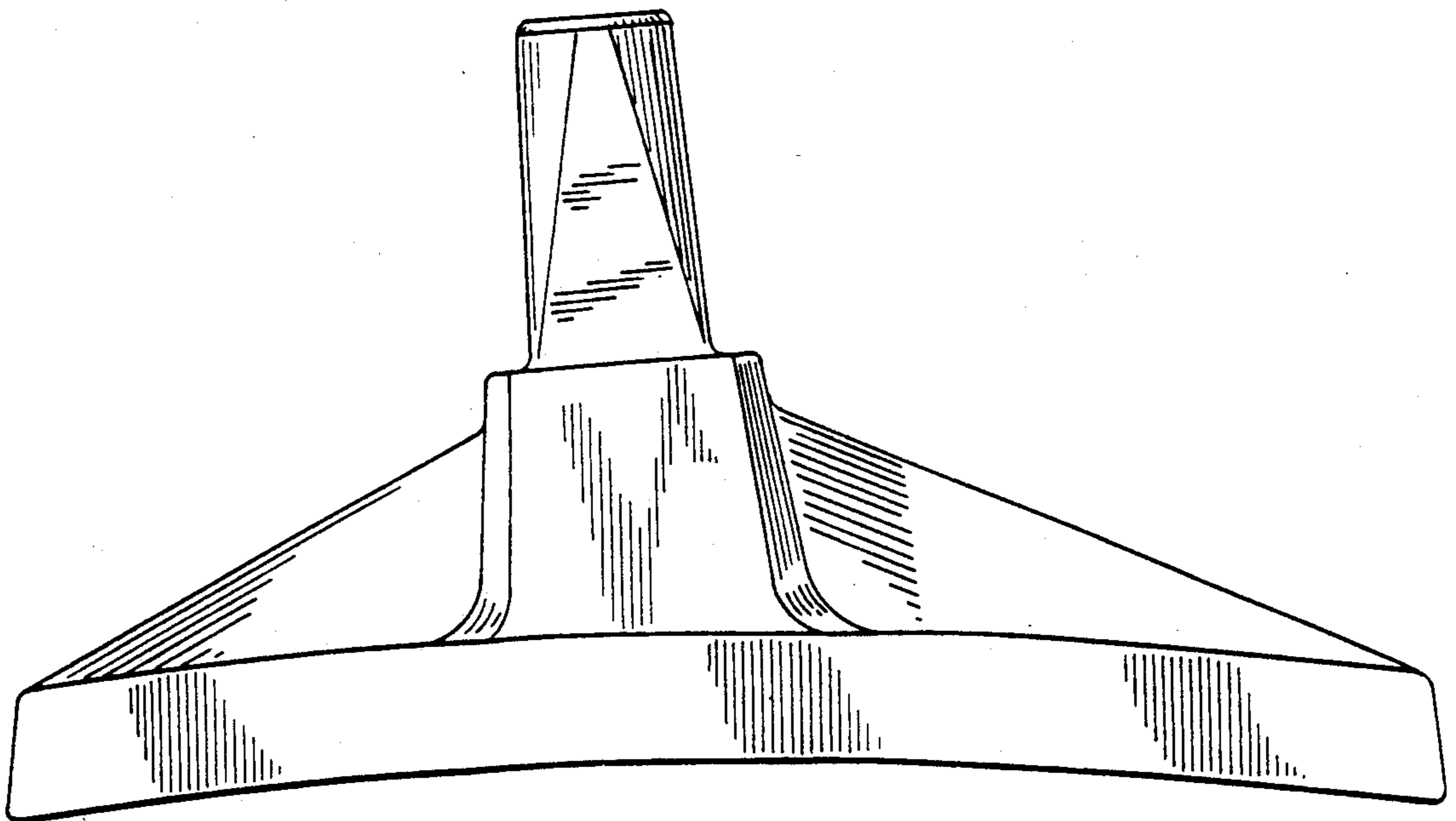


Fig. 6

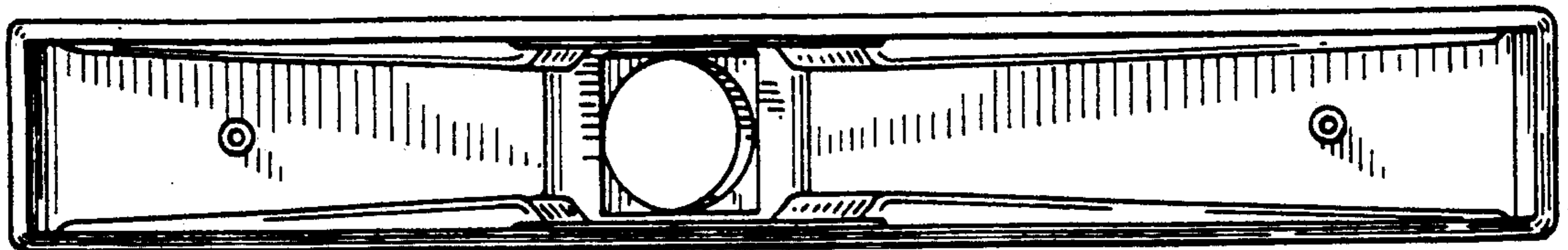


Fig. 7