



US00D332695S

# United States Patent [19]

[11] Patent Number: **Des. 332,695**

Moscovitch

[45] Date of Patent: **\*\* Jan. 26, 1993**

[54] **SKI CASE**

4,644,986 2/1987 Fusaro ..... 206/315.1  
4,860,935 8/1989 Davlinsky ..... 224/717 X

[76] Inventor: **Jerry Moscovitch, 59 Cowan Ave.,  
Toronto, Canada, M6K 2N1**

*Primary Examiner*—A. Hugo Word  
*Assistant Examiner*—Paula A. Montmer  
*Attorney, Agent, or Firm*—Mirek A. Waraksa

[\*\*] Term: **14 Years**

[21] Appl. No.: **589,890**

[57] **CLAIM**

[22] Filed: **Sep. 28, 1990**

The ornamental design for a ski case, as shown and described.

[52] U.S. Cl. .... **D3/36**

[58] Field of Search ..... D3/36, 37, 30.1, 76,  
D3/39; D99/1, 2, 3, 4, 5, 6, 7, 8, 9, 10, 11, 12,  
339; 224/917, 915, 918, 913; 206/315.1, 315.11,  
315.2, 315.9, 446; 280/DIG. 6

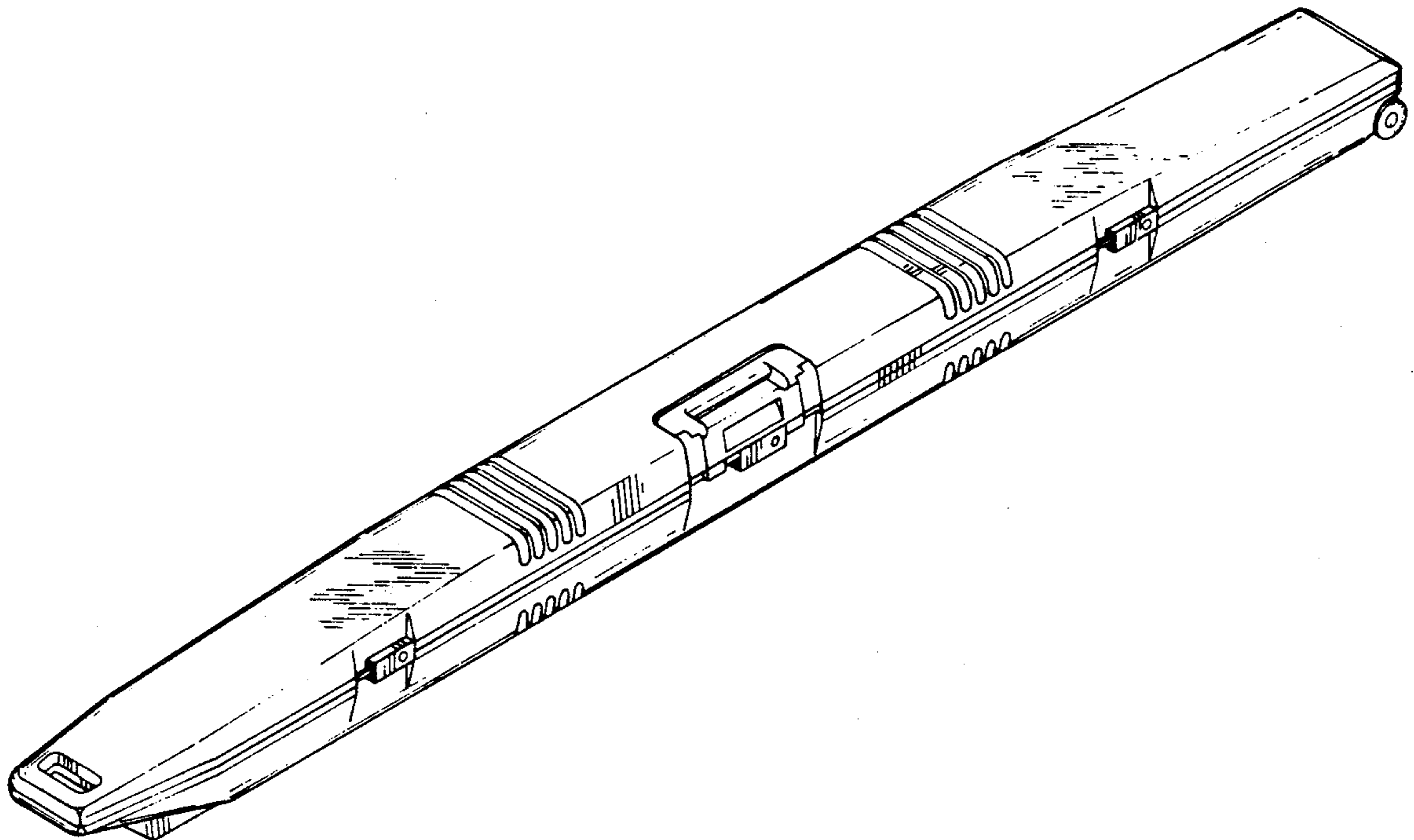
**DESCRIPTION**

[56] **References Cited**

**U.S. PATENT DOCUMENTS**

D. 257,913	1/1981	O'Dair	.....	D3/36
D. 321,430	11/1991	Wirth	.....	D3/37 X
3,348,329	10/1967	Seemann	.....	206/315.11 X
3,837,548	9/1974	Nerger	.....	206/315.1
3,921,871	11/1975	Heil	.....	D3/36 X
4,161,268	7/1979	Heil	.....	206/315.1
4,238,063	12/1980	O'Dair	.....	206/315.1
4,306,601	12/1981	Wallis et al.	.....	206/315.11

FIG. 1 is a front perspective view of a ski case showing my new design;  
FIG. 2 is a top plan view thereof;  
FIG. 3 is a side elevational view thereof;  
FIG. 4 is a bottom plan view thereof;  
FIG. 5 is an opposite side elevational view thereof;  
FIG. 6 is an end elevational view thereof;  
FIG. 7 is an opposite end elevational view thereof; and,  
FIG. 8 is a front perspective view of a second embodiment of a ski case showing my new design, the top, sides, bottom and ends are substantially the same as FIGS. 1-7, the distinguishing characteristic being the expanded width.



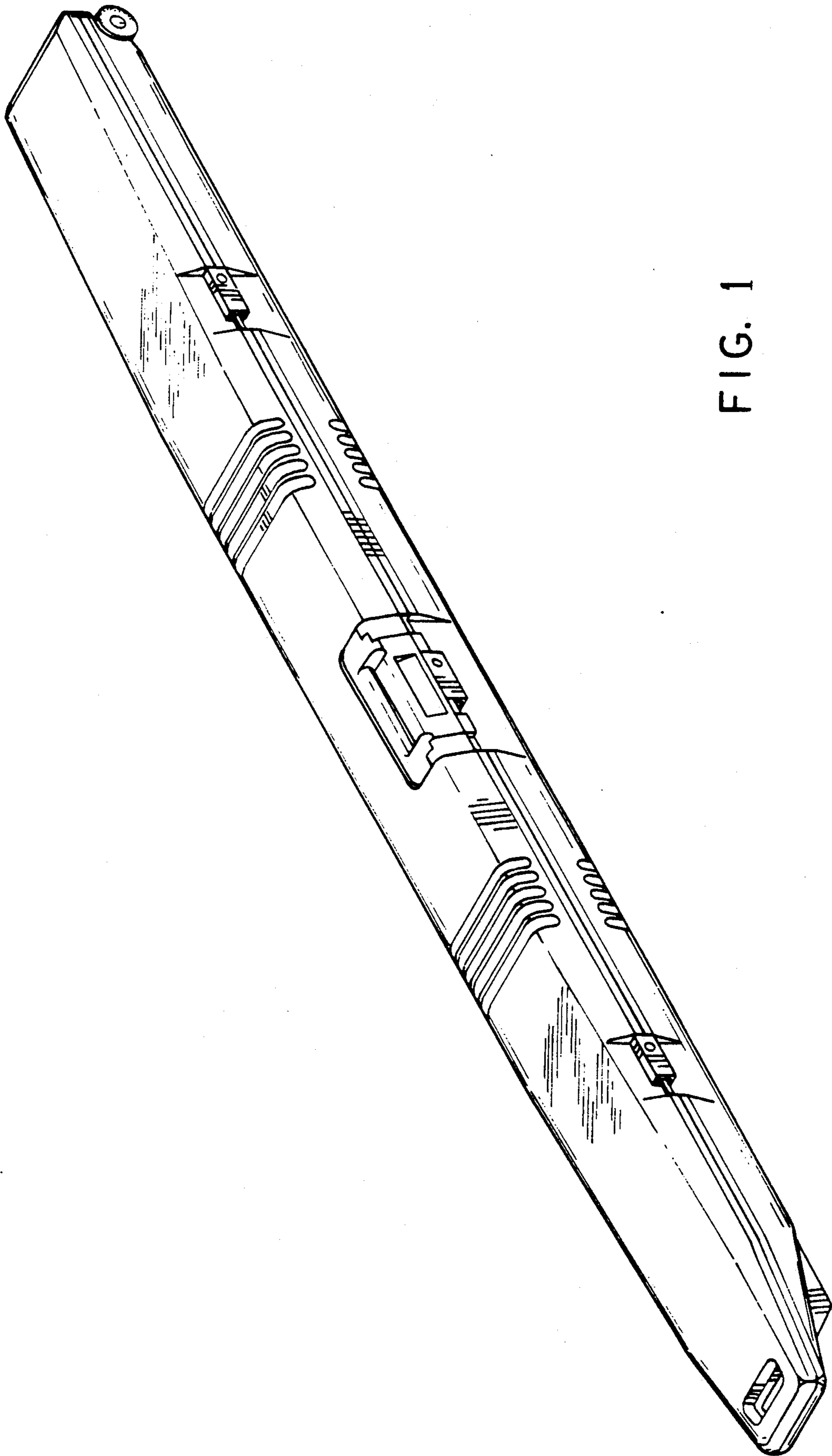


FIG. 1

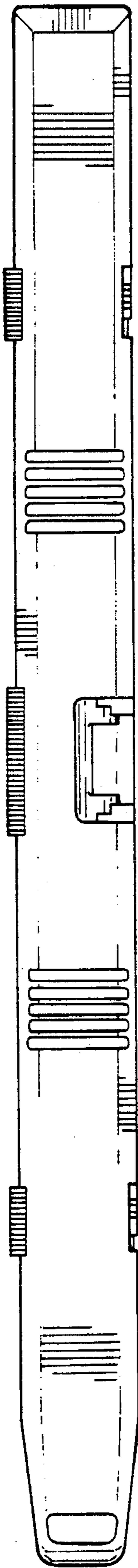


FIG. 2

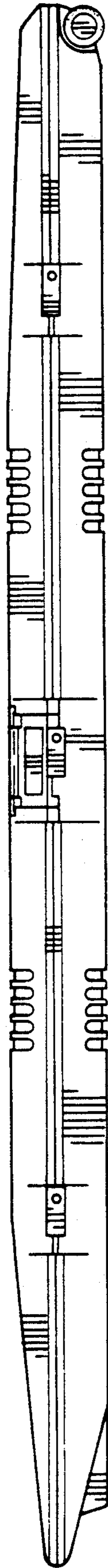


FIG. 3

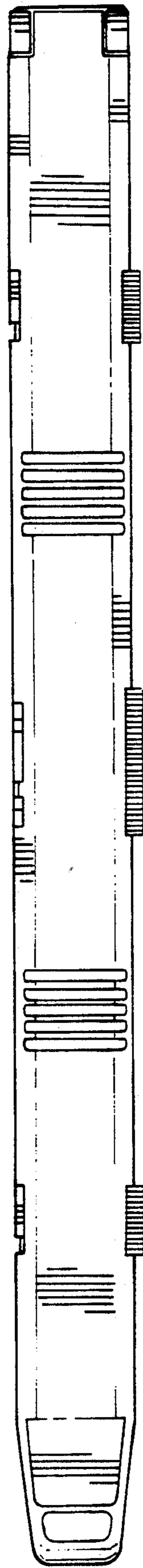


FIG. 4

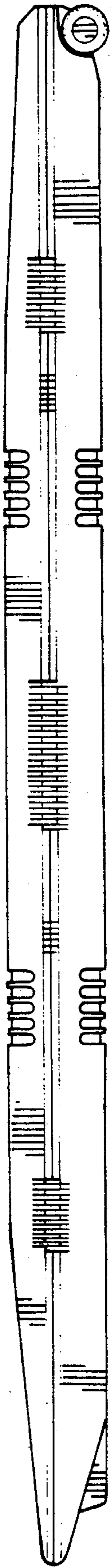


FIG. 5

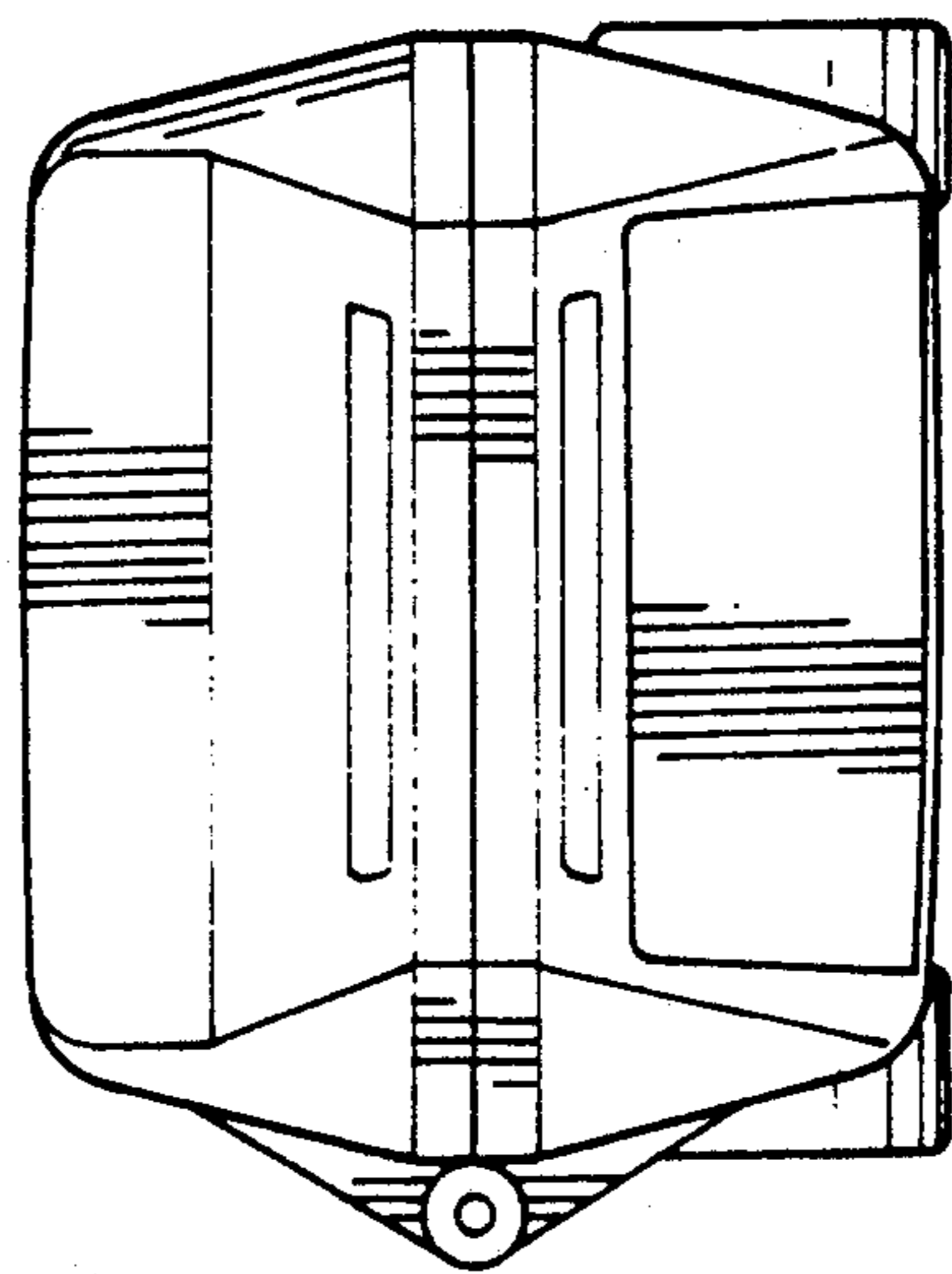


FIG. 6

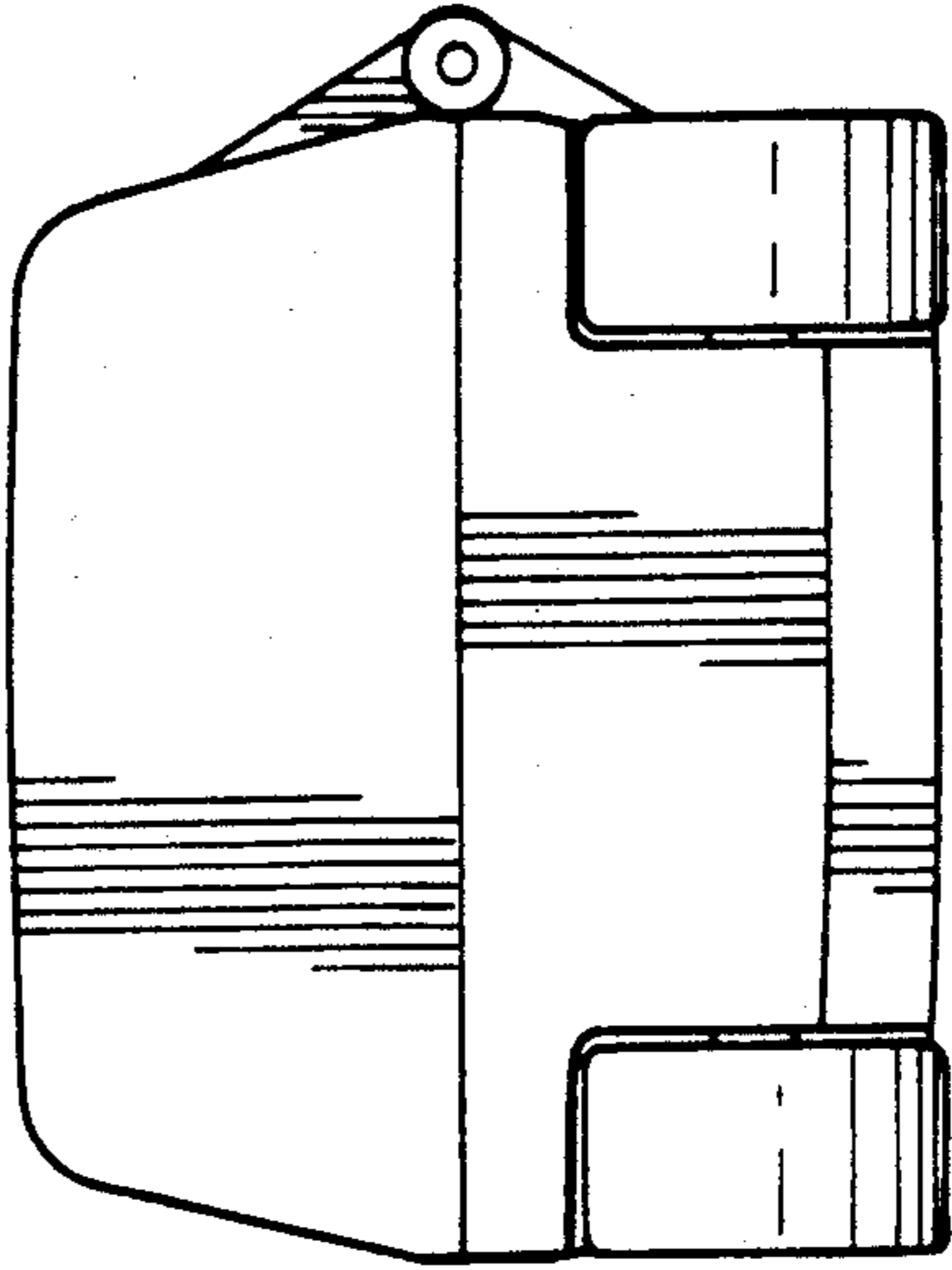


FIG. 7



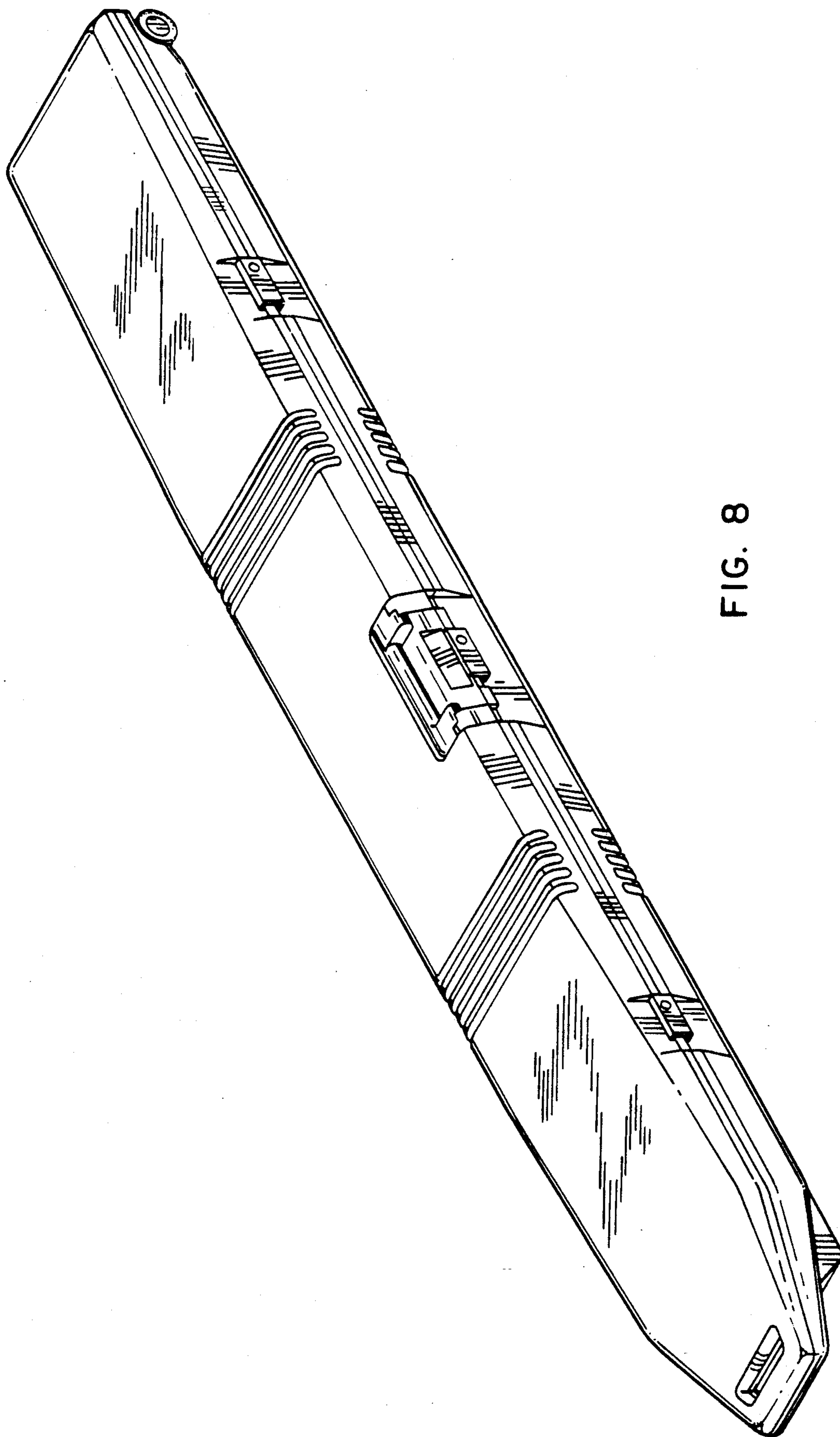


FIG. 8