



US00D332694S

United States Patent [19]

[11] Patent Number: **Des. 332,694**

Marziali et al.

[45] Date of Patent: **** Jan. 26, 1993**

[54] ORNAMENT FOR FOOTWEAR

[56] References Cited

[75] Inventors: **Eliseo Marziali**, Civitanova Marche, Italy; **Y. K. Shin**, Pusan, Rep. of Korea

U.S. PATENT DOCUMENTS

D. 108,658	3/1938	Dronoff	D2/289
D. 132,196	4/1942	Daniels	D2/313
D. 172,546	7/1954	Lakow	D2/326
1,737,748	12/1929	Anderson	D2/326

[73] Assignee: **Mercury International Trading Corporation**, North Attleboro, Mass.

Primary Examiner—Louis S. Zarfes
Attorney, Agent, or Firm—Wolf, Greenfield & Sacks

[**] Term: **14 Years**

[57] CLAIM

The ornamental design for an ornament for footwear, as shown and described.

[21] Appl. No.: **576,004**

DESCRIPTION

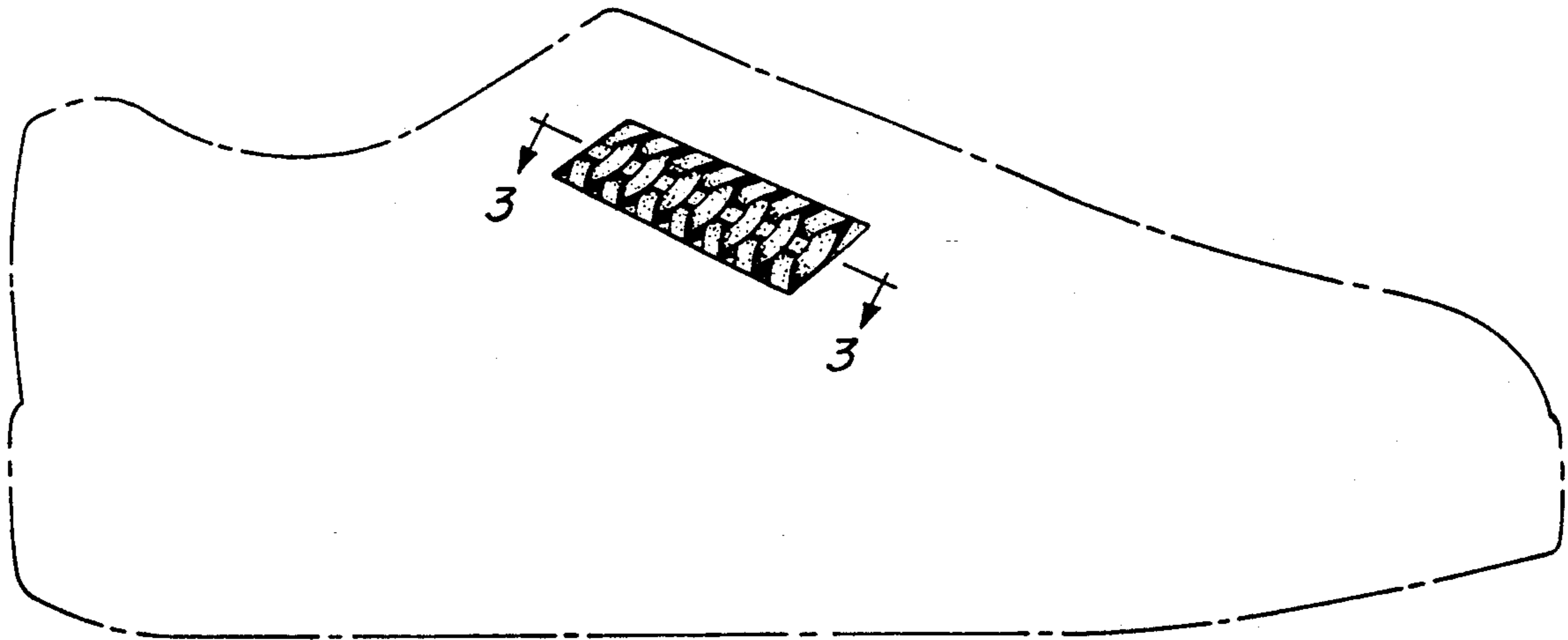
[22] Filed: **Aug. 31, 1990**

FIG. 1 is a side elevational view of an ornament for footwear showing my new design; FIG. 2 is a top left rear perspective view thereof; and, FIG. 3 is a sectional view thereof, taken along lines 3—3 as shown in FIG. 1.

[52] U.S. Cl. D2/326; D2/314; D2/315

[58] Field of Search D2/264, 265, 314, 315, D2/326, 313, 289; 36/45, 83, 84, 101-107, 132, 136

The broken line showing of a right shoe in FIG. 1 is for illustrative purposes only and forms no part of the claimed design.



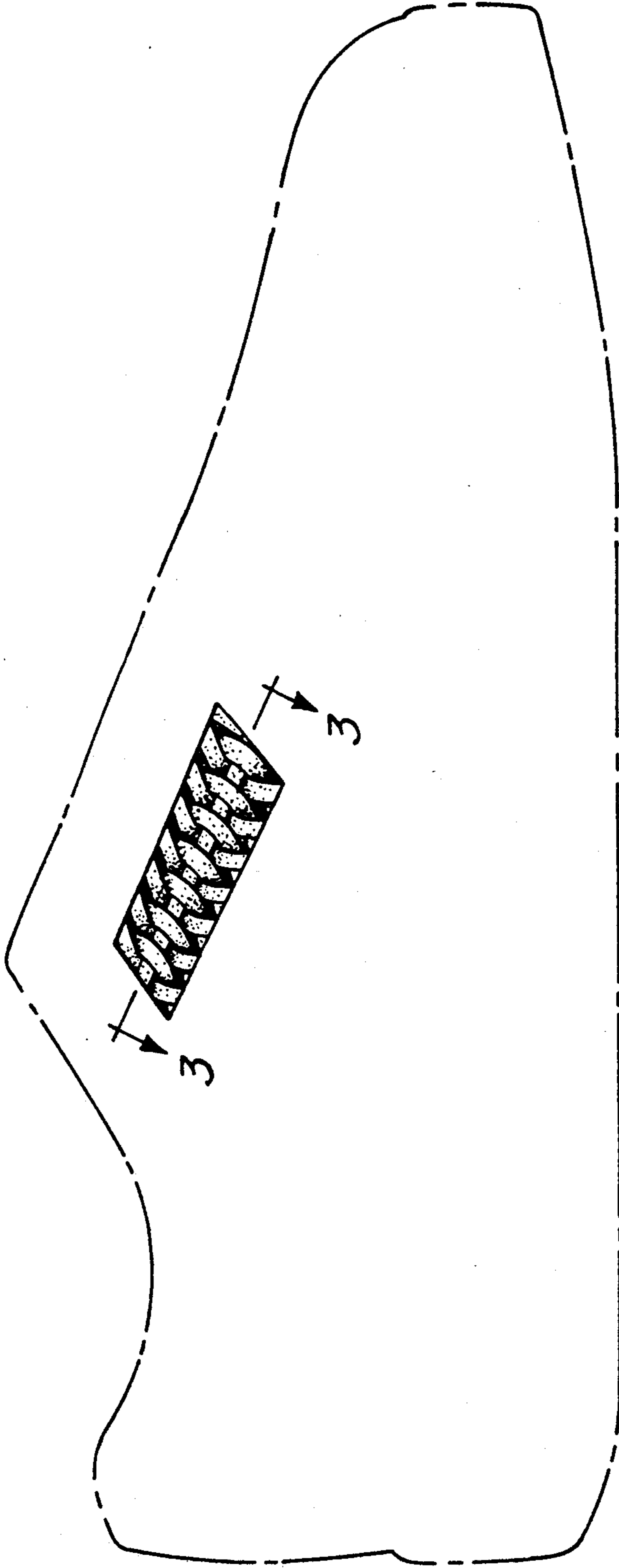


Fig. 1

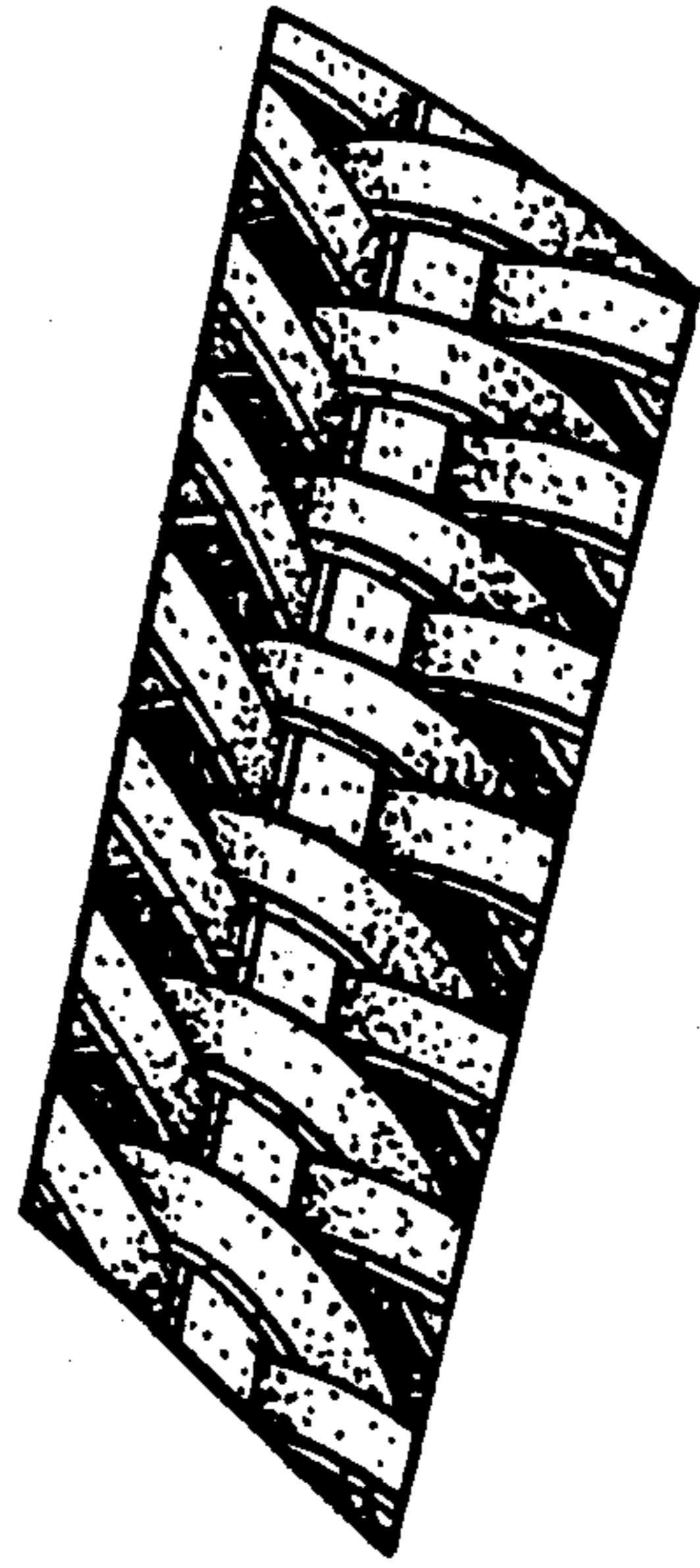


Fig. 2



Fig. 3