



US00D332685S

United States Patent [19]

[11] Patent Number: **Des. 332,685**

Edwards

[45] Date of Patent: **** Jan. 19, 1993**

[54] **LIGHTED GRATUITIES/TIP TRAY**

4,696,399	9/1987	Windorski	206/565
4,809,141	2/1989	Leopoldi et al.	362/99
5,005,702	4/1991	Davis et al.	206/557

[76] Inventor: **Richard E. Edwards**, 1750 Ocean Ave., Long Beach, Calif. 90808

Primary Examiner—Alan P. Douglas
Assistant Examiner—J. H. Musgrove
Attorney, Agent, or Firm—Stetina and Brunda

[**] Term: **14 Years**

[21] Appl. No.: **641,442**

[57] **CLAIM**

[22] Filed: **Jan. 14, 1991**

The ornamental design for an lighted gratuities/tip tray, as shown and described.

[52] U.S. Cl. **D99/36; D7/550**

[58] Field of Search **D99/36; 206/564, 565, 206/561, 557; D7/550; 362/99; 229/190**

DESCRIPTION

[56] **References Cited**

FIG. 1 is a top, front and left-side perspective view of a combined light and gratuity tray showing my new design;

U.S. PATENT DOCUMENTS

D. 282,083	1/1986	Kier	D19/92
D. 292,354	10/1987	Seltzer et al.	D99/36
3,944,129	3/1976	McCall et al.	229/190
4,564,887	1/1986	Kier	362/99
4,679,691	7/1987	Halloran	206/557

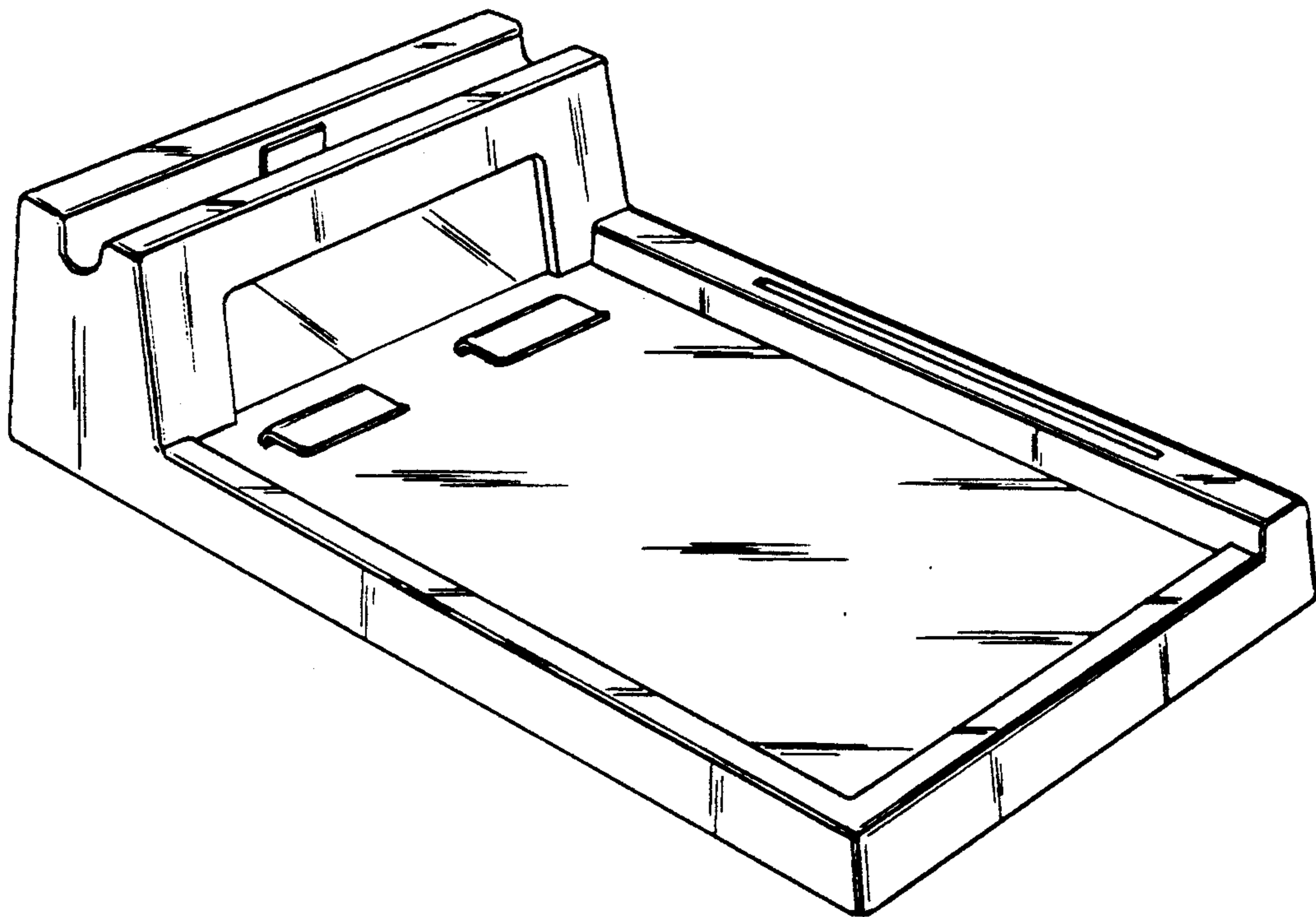
FIG. 2 is a bottom, front and left side perspective view;

FIG. 3 is a left side elevational view;

FIG. 4 is a top plan view;

FIG. 5 is a front elevational view; and,

FIG. 6 is a rear elevational view thereof.



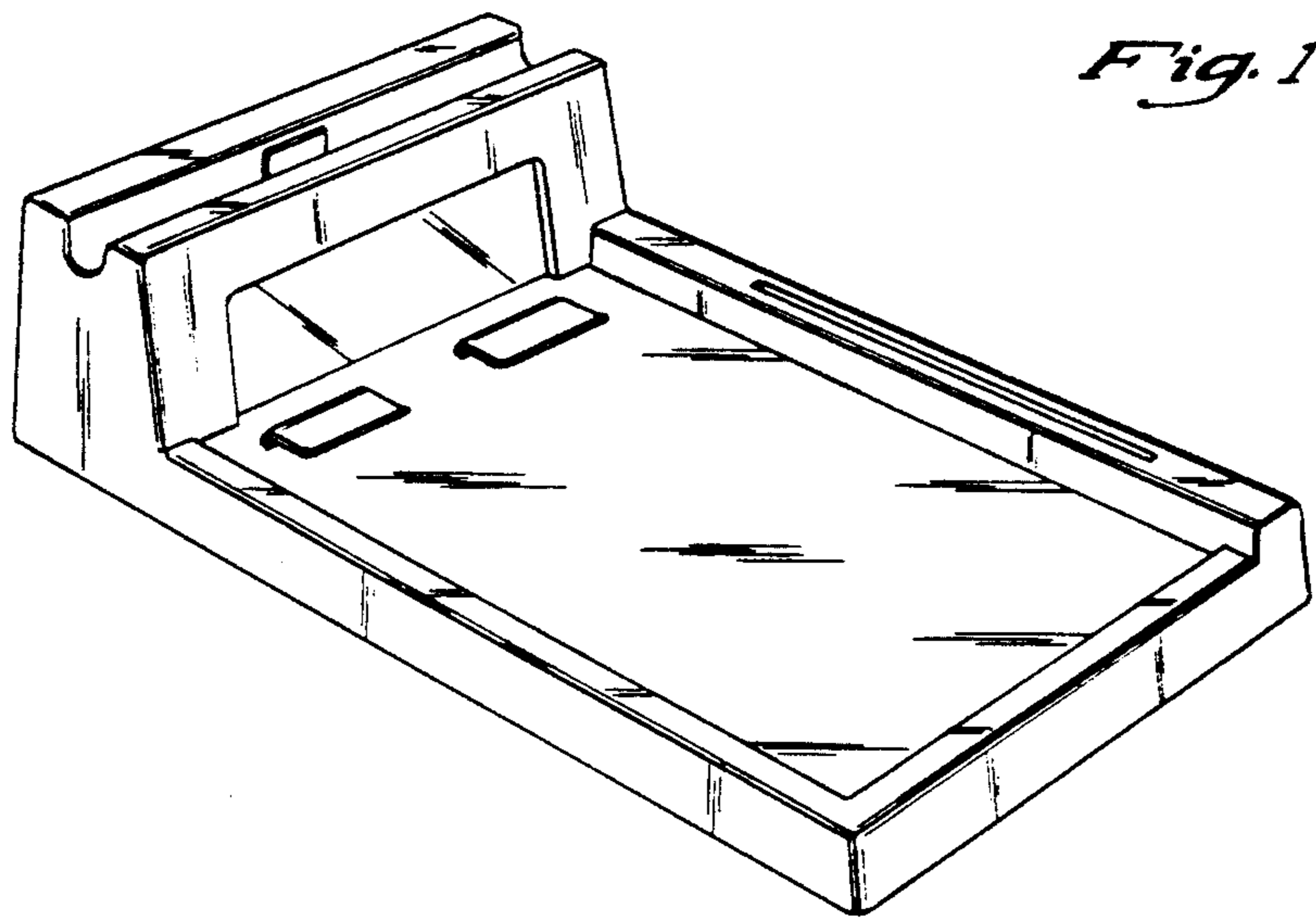


Fig. 2

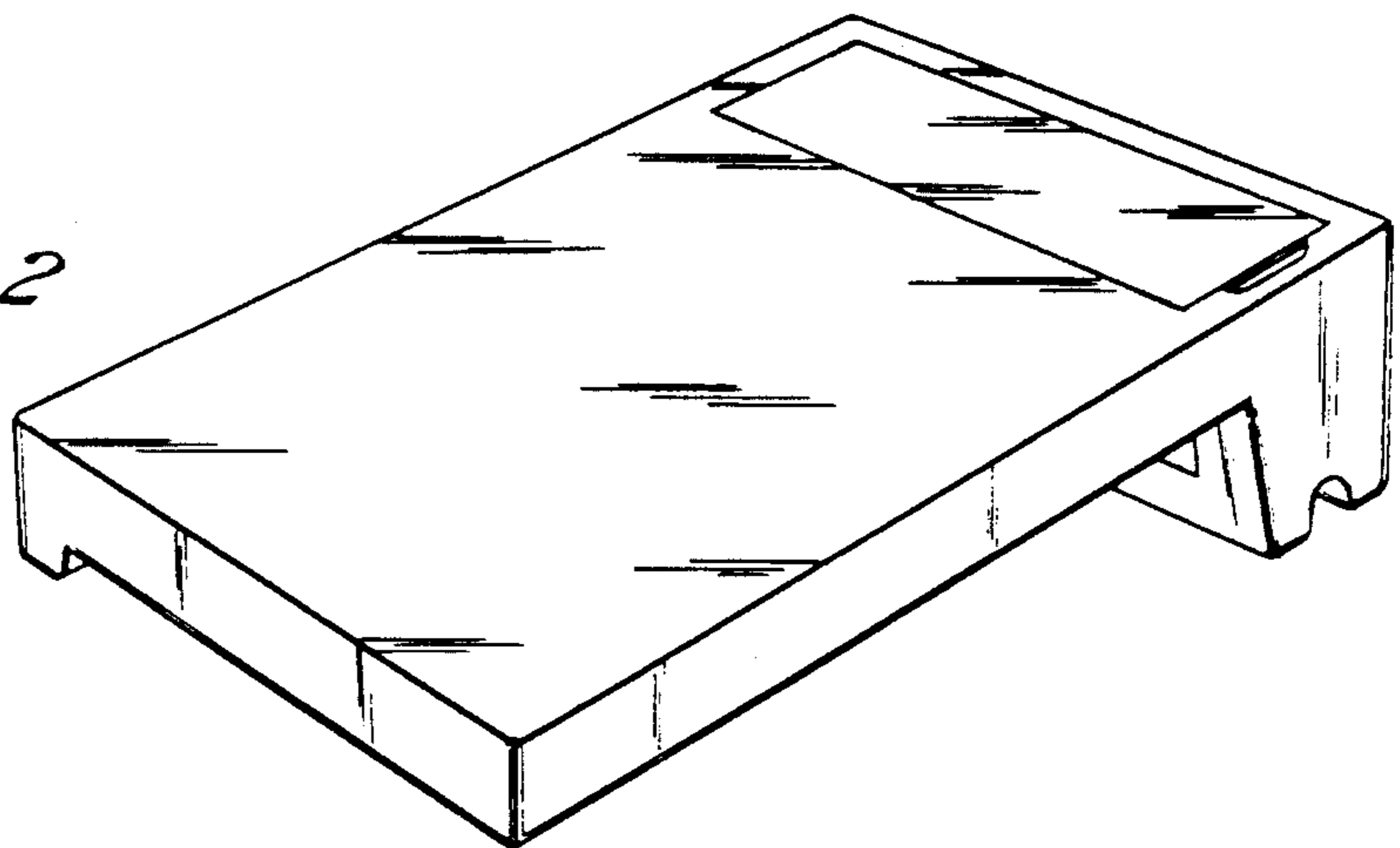


Fig. 4

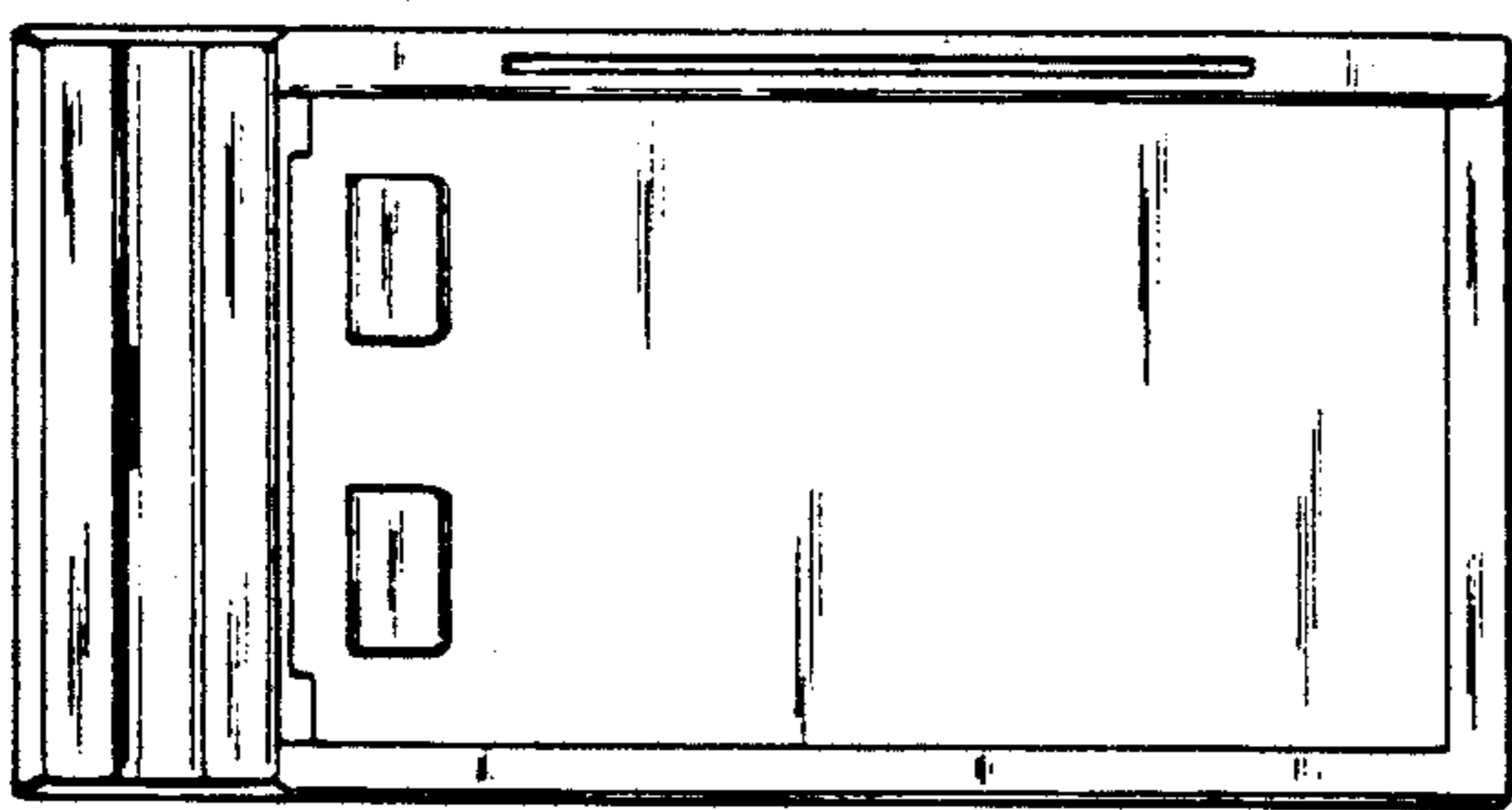


Fig. 6

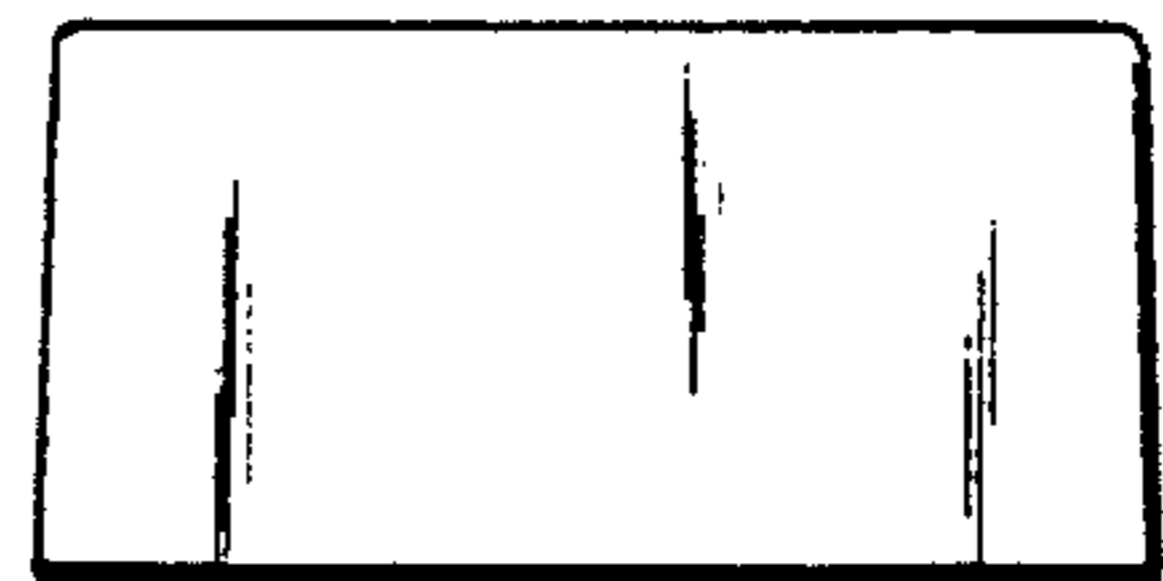


Fig. 3

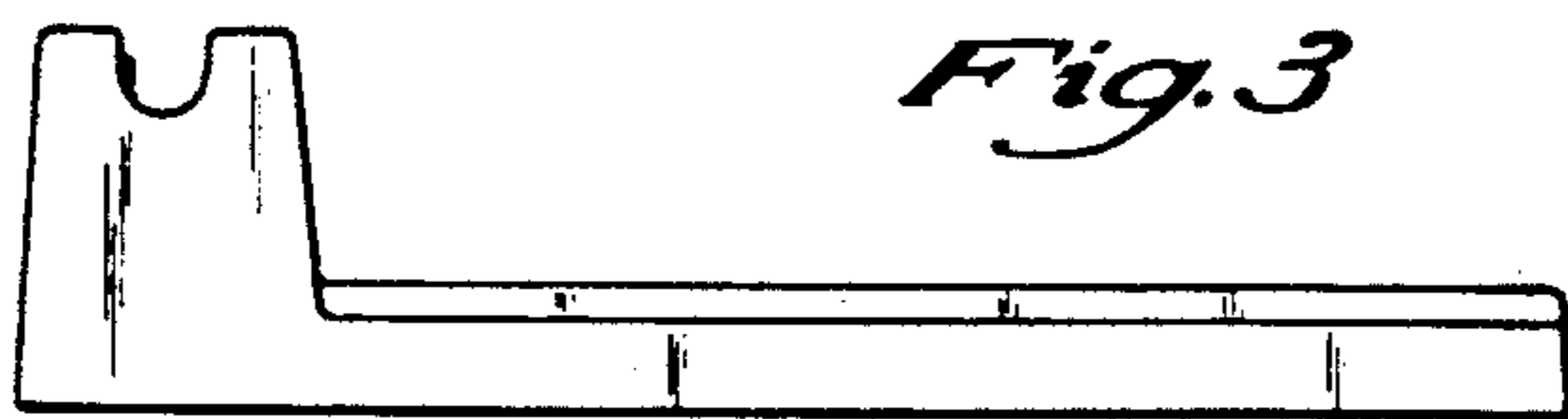


Fig. 5

