



US00D332683S

# United States Patent [19]

[11] Patent Number: **Des. 332,683**

Adolf

[45] Date of Patent: **\*\* Jan. 19, 1993**

[54] PAINT TRAY

[75] Inventor: **Raymond C. Adolf**, Doylestown, Pa.

[73] Assignee: **Nation/Ruskin, Inc.**,  
Montgomeryville, Pa.

3,828,389 8/1974 Heisler ..... 15/257.06  
 4,010,866 3/1977 McClane ..... 15/257.06 X  
 4,102,468 7/1978 Goldman ..... 220/570 X  
 4,509,226 4/1985 Allison et al. .... 15/257.06

[\*\*] Term: **14 Years**

*Primary Examiner*—Bernard Ansher  
*Assistant Examiner*—Prabhakar Deshmukh  
*Attorney, Agent, or Firm*—Panitch, Schwarze, Jacobs &  
 Nadel

[21] Appl. No.: **558,556**

[22] Filed: **Jul. 24, 1990**

### [57] CLAIM

[52] U.S. Cl. .... **D34/45**

[58] Field of Search ..... **D34/40-46;**  
**D9/415, 341, 337; D3/30.1; 15/257.06;**  
**206/203, 1.9; 229/908; 220/570, 571, 572,**  
**DIG. 13, DIG. 12**

The ornamental design for a paint tray, as shown and described.

### DESCRIPTION

[56] **References Cited**  
**U.S. PATENT DOCUMENTS**

D. 250,402 11/1978 Connell et al. .... D9/425 X  
 D. 272,505 2/1984 Daenen et al. .... D9/425 X  
 D. 316,171 4/1991 Chatham et al. .... D34/40  
 2,972,765 2/1961 Macy et al. .... 229/908 X

FIG. 1 is a front elevational view of a paint tray showing my new design;  
 FIG. 2 is a left side elevational view thereof;  
 FIG. 3 is a top plan view thereof;  
 FIG. 4 is a bottom plan view thereof;  
 FIG. 5 is a right side elevational view;  
 FIG. 6 is a rear elevational view thereof; and,  
 FIG. 7 is a perspective view thereof.

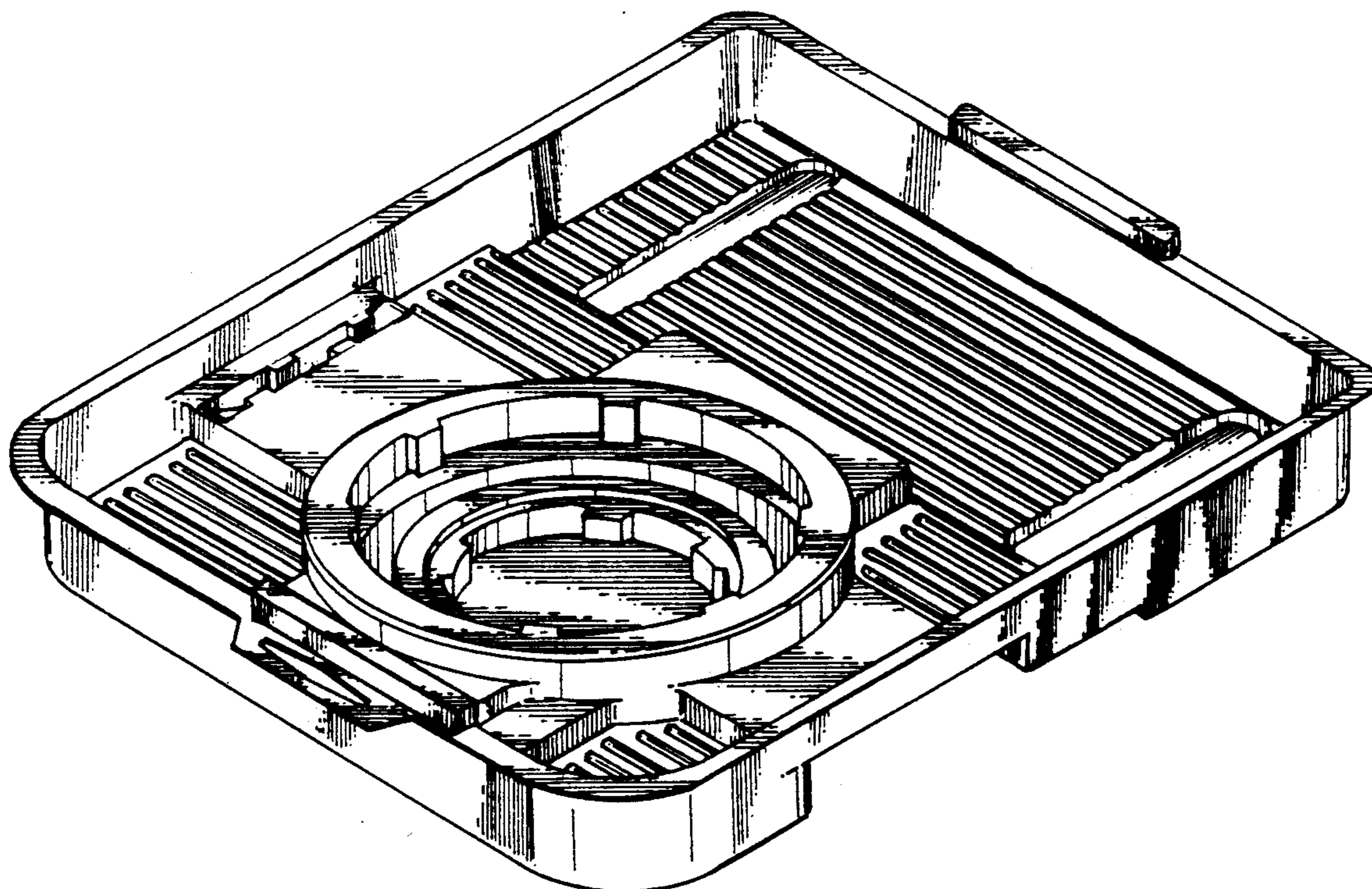


FIG. 1

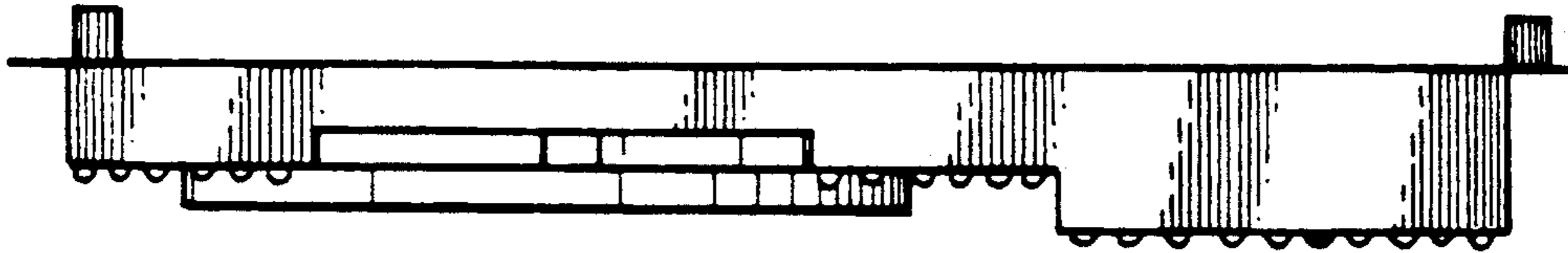


FIG. 2

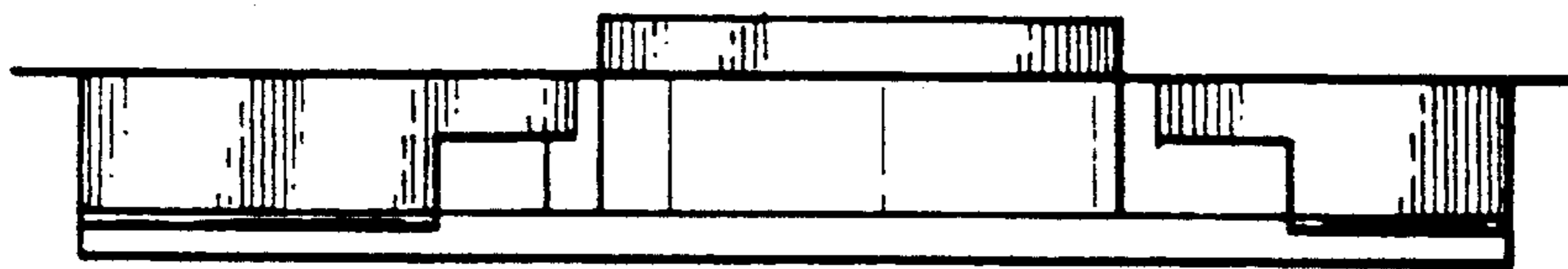


FIG. 3

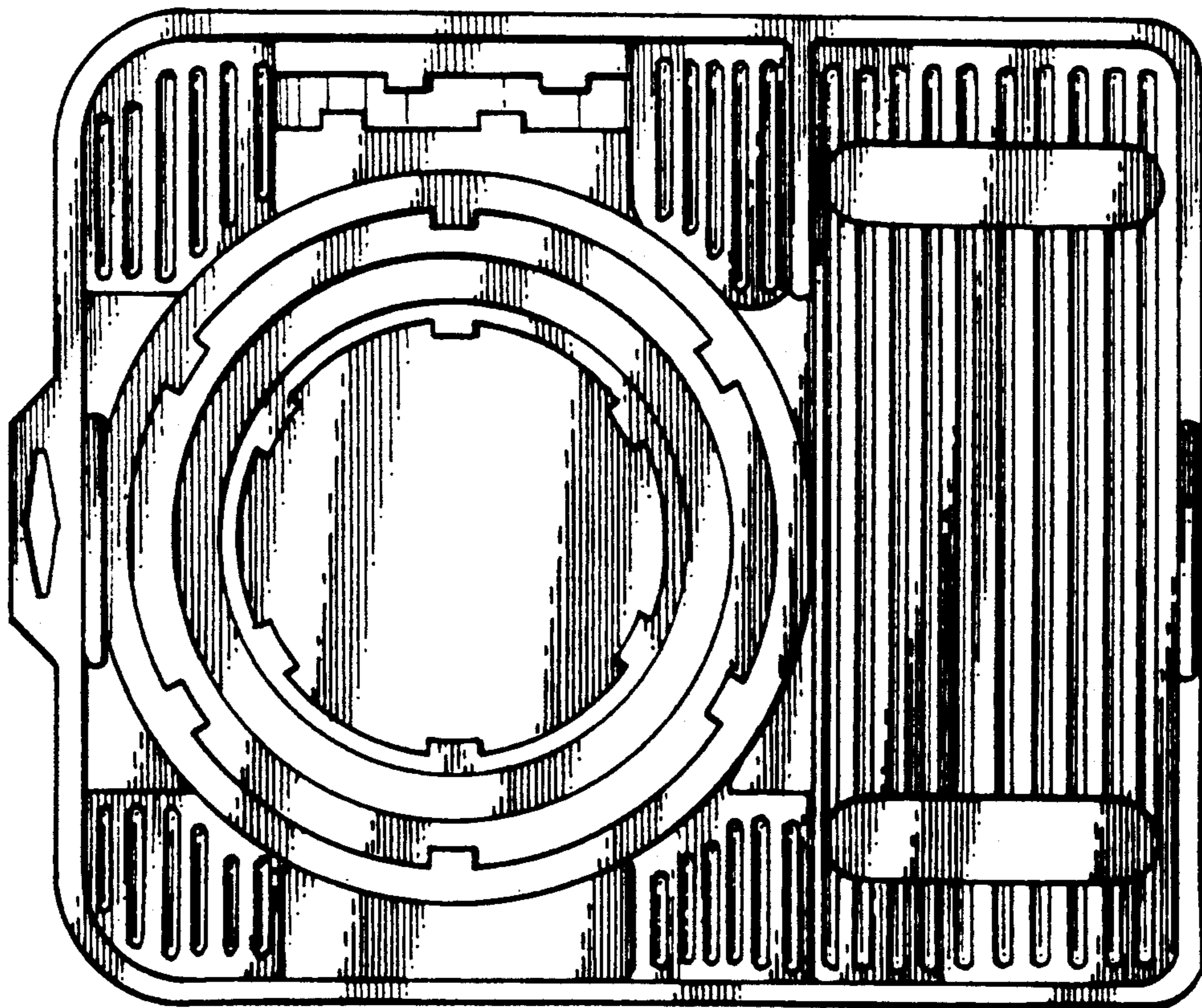


FIG. 4

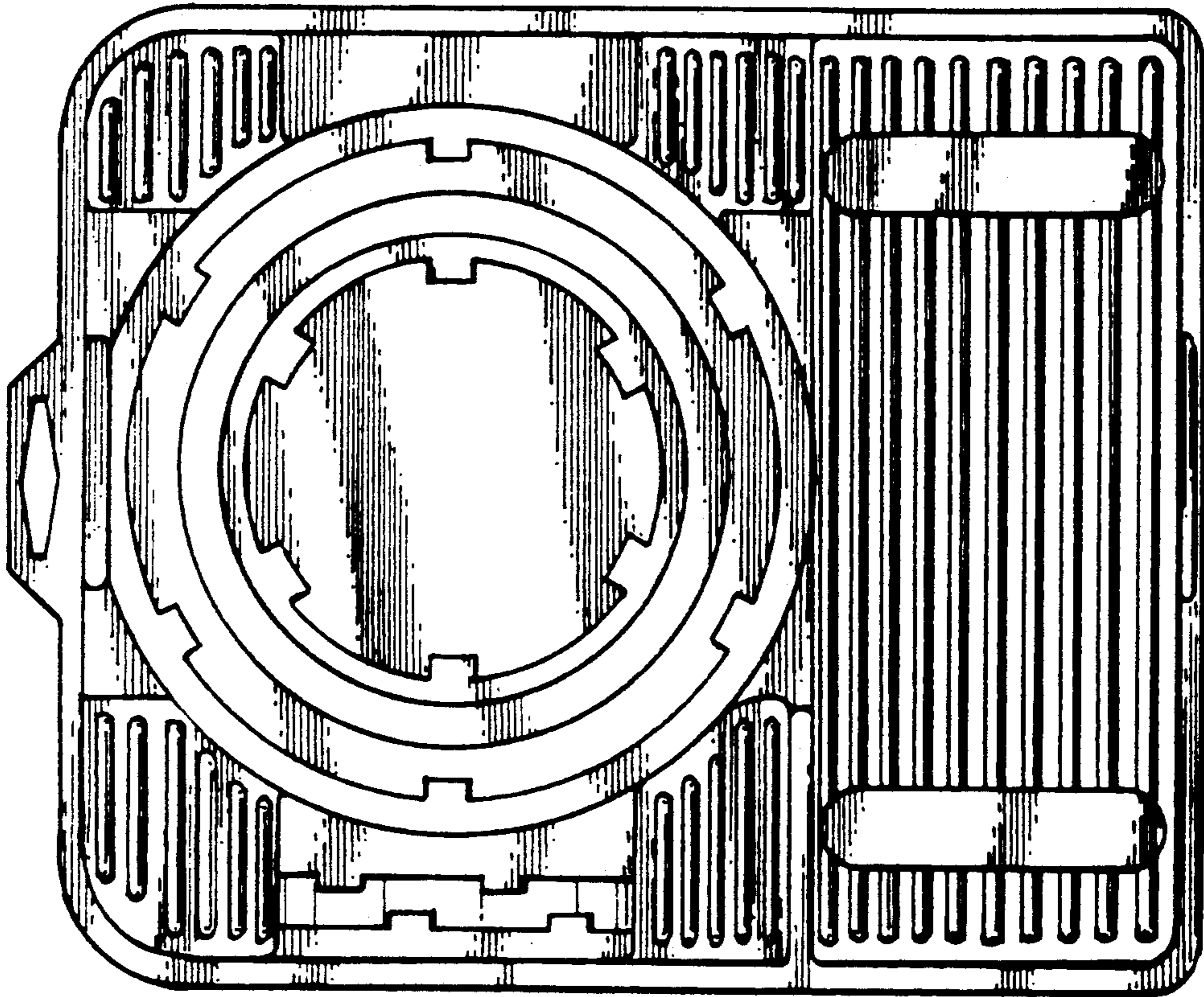


FIG. 5

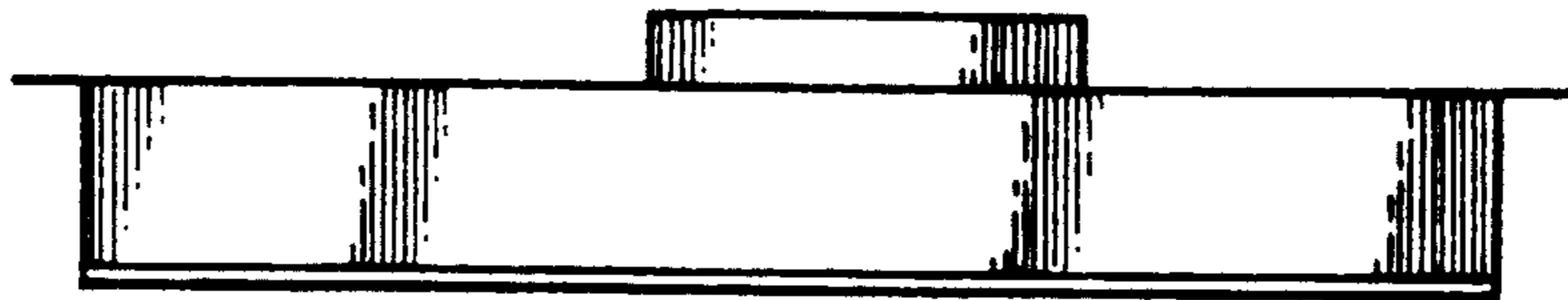
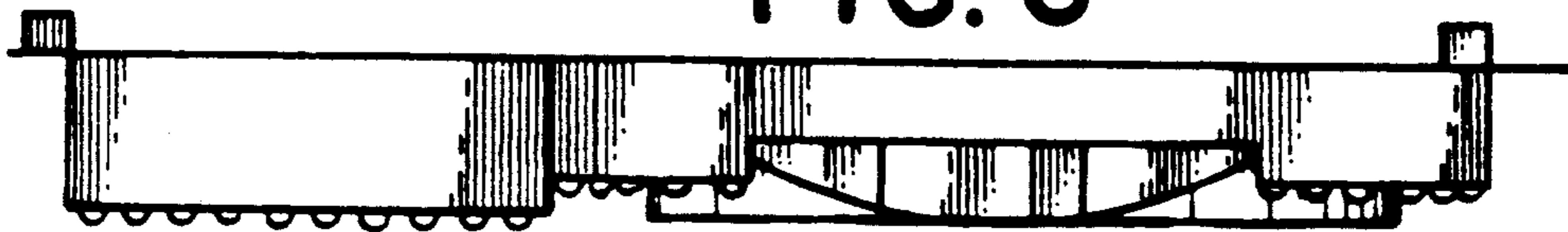


FIG. 6



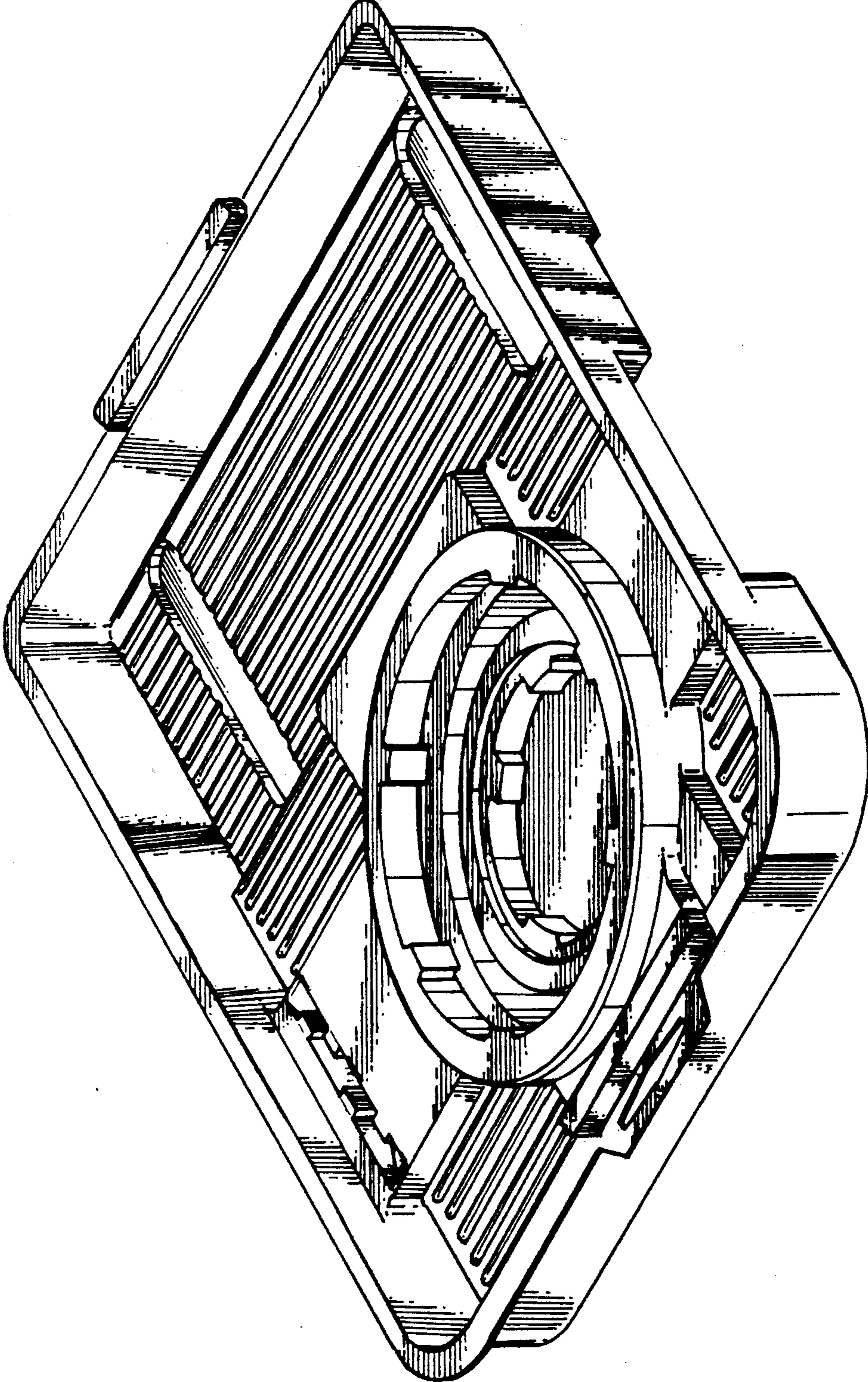


FIG. 7