



US00D332682S

United States Patent [19]

[11] Patent Number: Des. 332,682

Staab

[45] Date of Patent: ** Jan. 19, 1993

[54] **LAWN AND GARDEN UTILITY CART**

4,763,907 8/1988 Raymond 280/47.35

[76] Inventor: **Donald A. Staab**, 92-45 245th St.,
Bellerose Terrace, N.Y. 11001

Primary Examiner—Kay H. Chin
Attorney, Agent, or Firm—Richard L. Miller

[**] Term: **14 Years**

[57] **CLAIM**

[21] Appl. No.: **683,680**

The ornamental design for a lawn and garden utility cart, as shown and described.

[22] Filed: **Apr. 11, 1991**

DESCRIPTION

[52] U.S. Cl. **D34/21; D34/17**

[58] Field of Search **D34/17, 20, 21, 23,**
D34/28, 32; 280/47.35, 47.26, 47.34, 79.11

FIG. 1 is a top and front perspective view of a lawn and garden utility cart showing my new design;
FIG. 2 is a top plan view thereof;
FIG. 3 is a left side elevational view thereof, the right side elevational view being a mirror image of the shown;
FIG. 4 is a front elevational view thereof;
FIG. 5 is a rear elevational view thereof; and,
FIG. 6 is a bottom plan view thereof.

[56] **References Cited**

U.S. PATENT DOCUMENTS

D. 243,518 3/1977 Dillon et al. D34/21
3,863,895 2/1975 Grewe et al. D34/32
4,542,909 9/1985 Littwin et al. 280/47.35

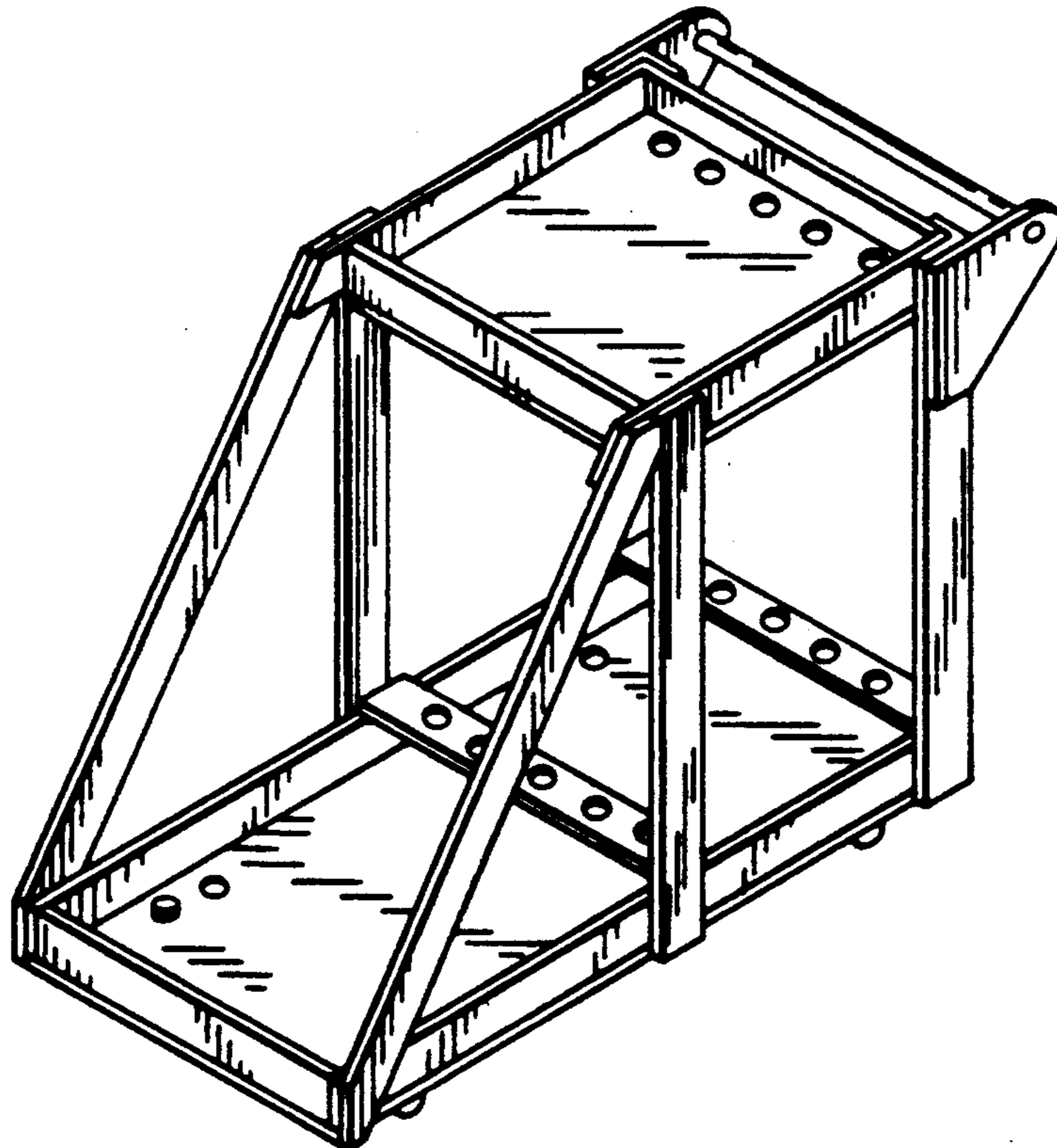


FIG. 1

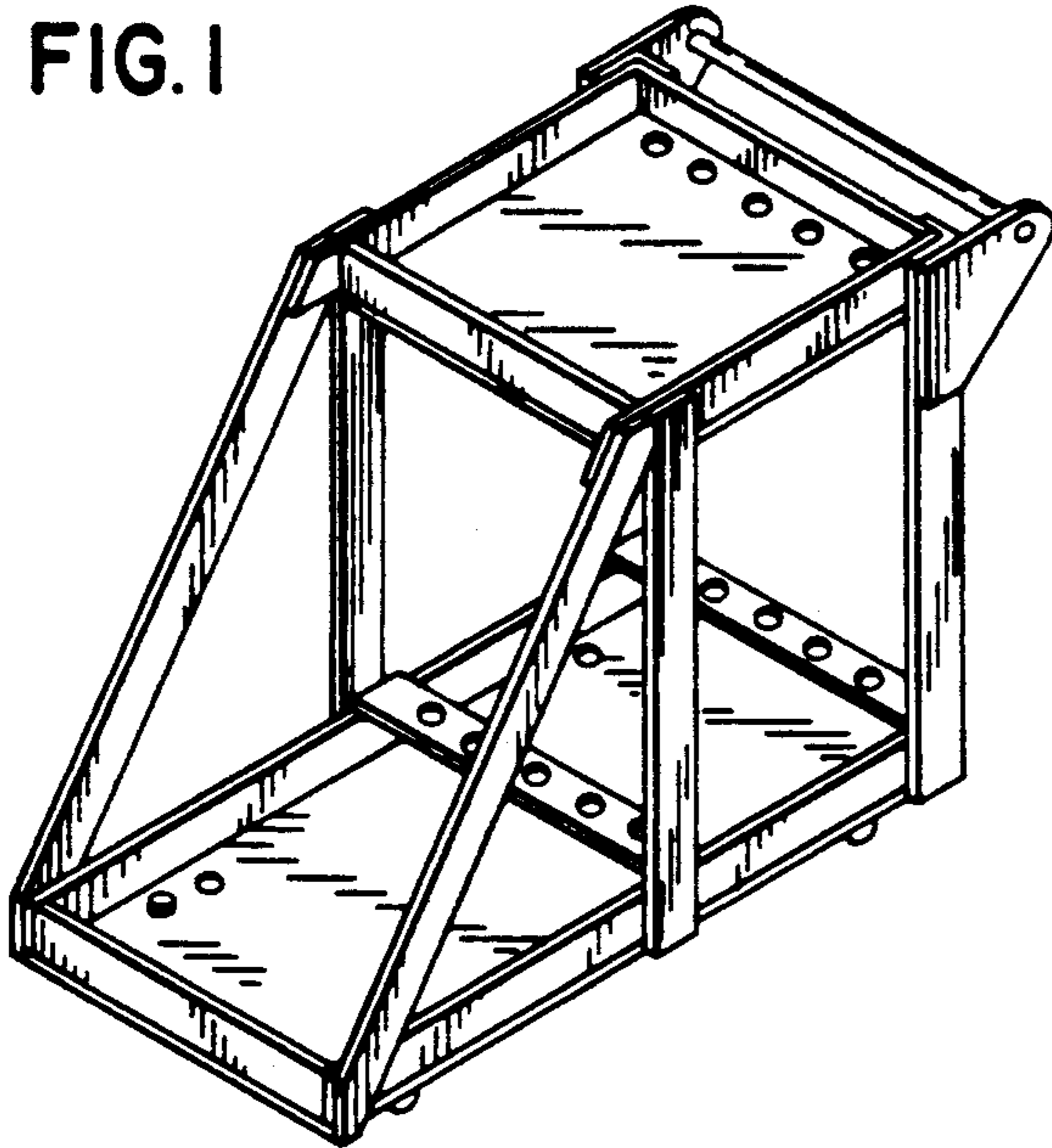


FIG. 2

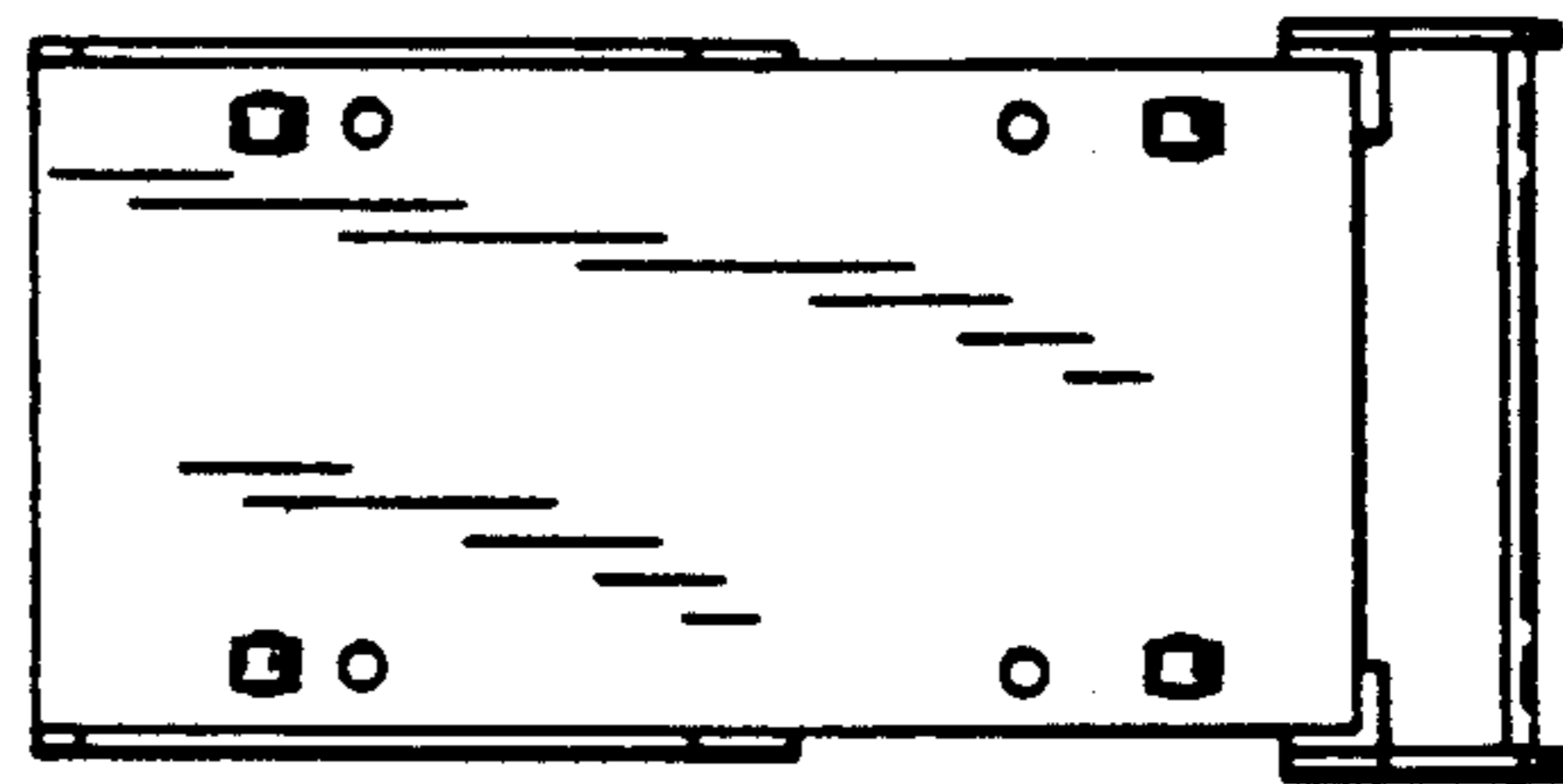
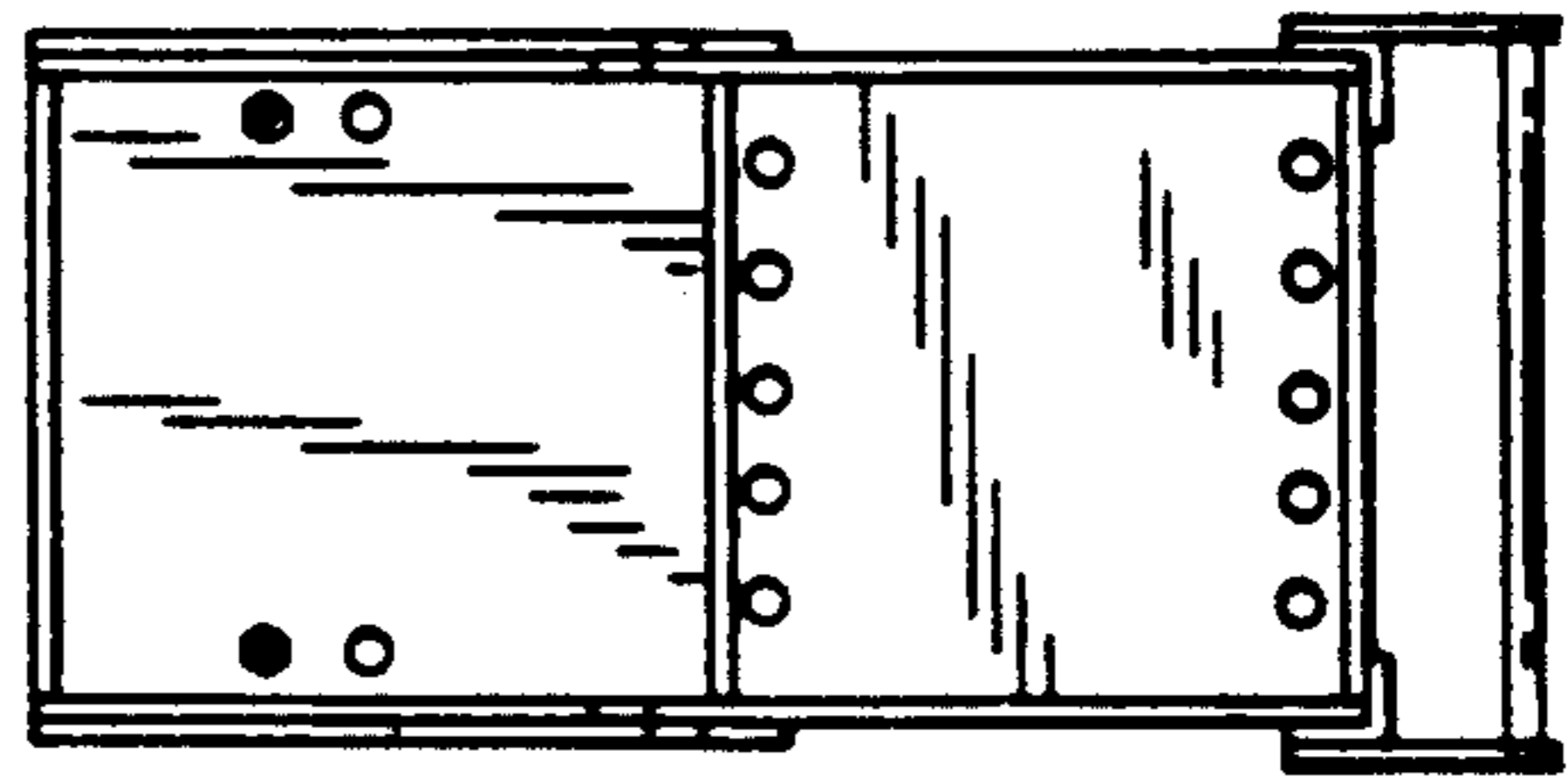


FIG. 3

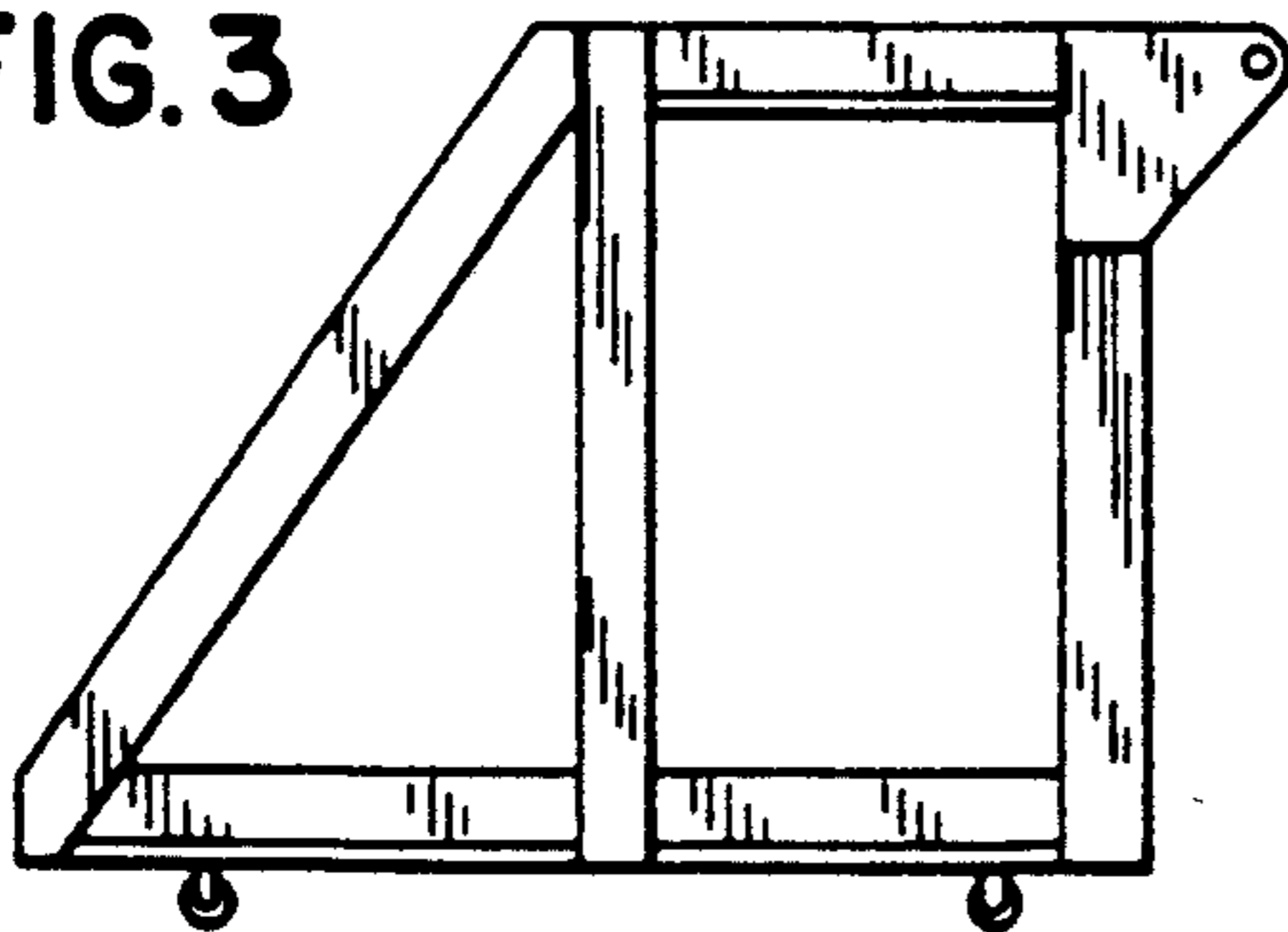


FIG. 6

FIG. 4

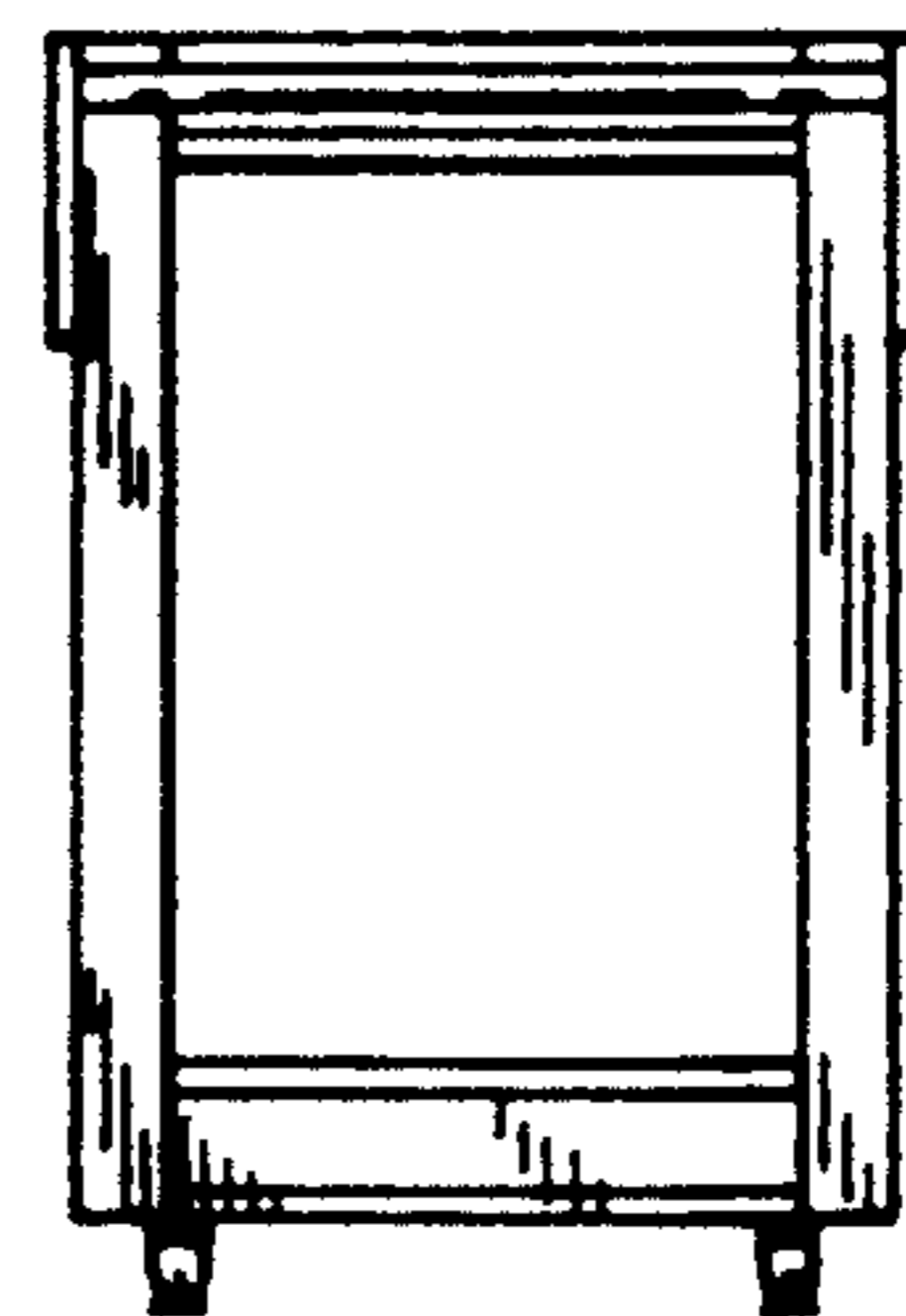
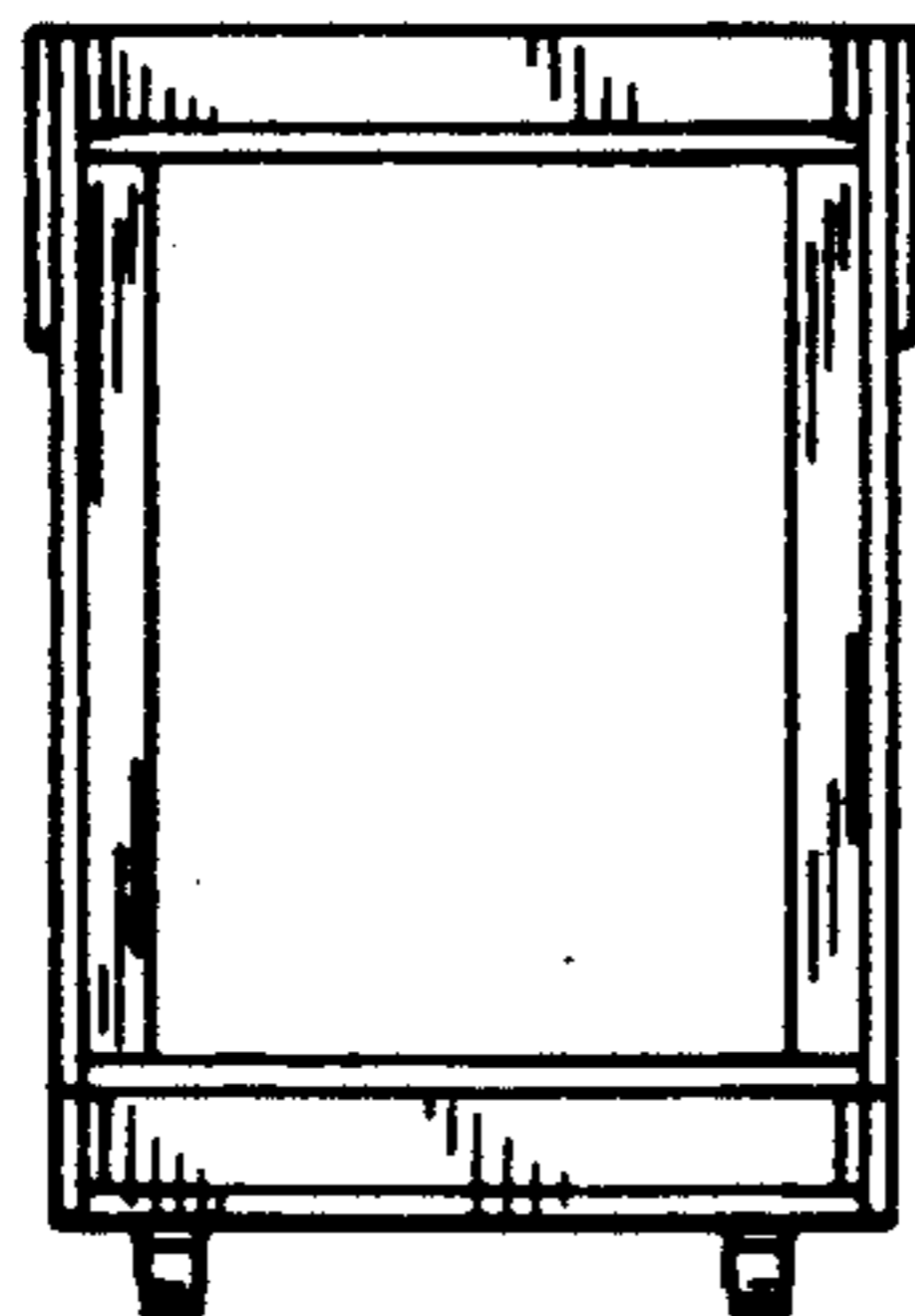


FIG. 5